



US00D770867S

(12) **United States Design Patent** (10) **Patent No.:** **US D770,867 S**  
**Repac** (45) **Date of Patent:** **\*\* Nov. 8, 2016**

(54) **FOOD SLICER**

(71) Applicant: **Genius GmbH**, Limburg (DE)

(72) Inventor: **Cedomir Repac**, Brechen (DE)

(73) Assignee: **GENIUS GMBH**, Limburg (DE)

(\*\*) Term: **14 Years**

(21) Appl. No.: **29/526,041**

(22) Filed: **May 6, 2015**

**Related U.S. Application Data**

(63) Continuation of application No. 29/504,618, filed on Oct. 8, 2014.

(30) **Foreign Application Priority Data**

- Apr. 8, 2014 (EM) ..... 002442400-0001
- Apr. 8, 2014 (EM) ..... 002442400-0002
- Apr. 8, 2014 (EM) ..... 002442400-0003
- Apr. 8, 2014 (EM) ..... 002442400-0004
- Apr. 8, 2014 (EM) ..... 002442400-0005
- Apr. 8, 2014 (EM) ..... 002442400-0006
- Apr. 8, 2014 (EM) ..... 002442400-0007
- Apr. 8, 2014 (EM) ..... 002442400-0008
- Apr. 8, 2014 (EM) ..... 002442400-0009
- Apr. 8, 2014 (EM) ..... 002442400-0010
- Apr. 8, 2014 (EM) ..... 002442400-0011
- Apr. 8, 2014 (EM) ..... 002442400-0012
- Apr. 8, 2014 (EM) ..... 002442400-0013
- Apr. 8, 2014 (EM) ..... 002442400-0014
- Apr. 8, 2014 (EM) ..... 002442400-0015
- Apr. 8, 2014 (EM) ..... 002442400-0016
- Apr. 8, 2014 (EM) ..... 002442400-0017
- Apr. 8, 2014 (EM) ..... 002442400-0018
- Apr. 8, 2014 (EM) ..... 002442400-0019
- Apr. 8, 2014 (EM) ..... 002442400-0020
- Apr. 8, 2014 (EM) ..... 002442400-0021

(51) **LOC (10) Cl.** ..... **07-04**

(52) **U.S. Cl.**  
USPC ..... **D7/672**

(58) **Field of Classification Search**

USPC ..... D7/629, 672-673, 669, 693; 30/124;  
83/167, 432, 853; 99/596; 241/100,  
241/273.1  
CPC ..... A21C 15/04; B26D 1/00; B26D 1/01;  
B26D 3/26  
See application file for complete search history.

(56) **References Cited**

**U.S. PATENT DOCUMENTS**

D326,388 S \* 5/1992 Boerner ..... D7/673  
D354,886 S \* 1/1995 Diefenbach ..... D7/678

(Continued)

**OTHER PUBLICATIONS**

U.S. Appl. No. 29/524,045, filed Apr. 16, 2015.

(Continued)

*Primary Examiner* — Rosemary K Tarcza

*Assistant Examiner* — James Thorn, Sr.

(74) *Attorney, Agent, or Firm* — Leydig, Voit & Mayer, Ltd.

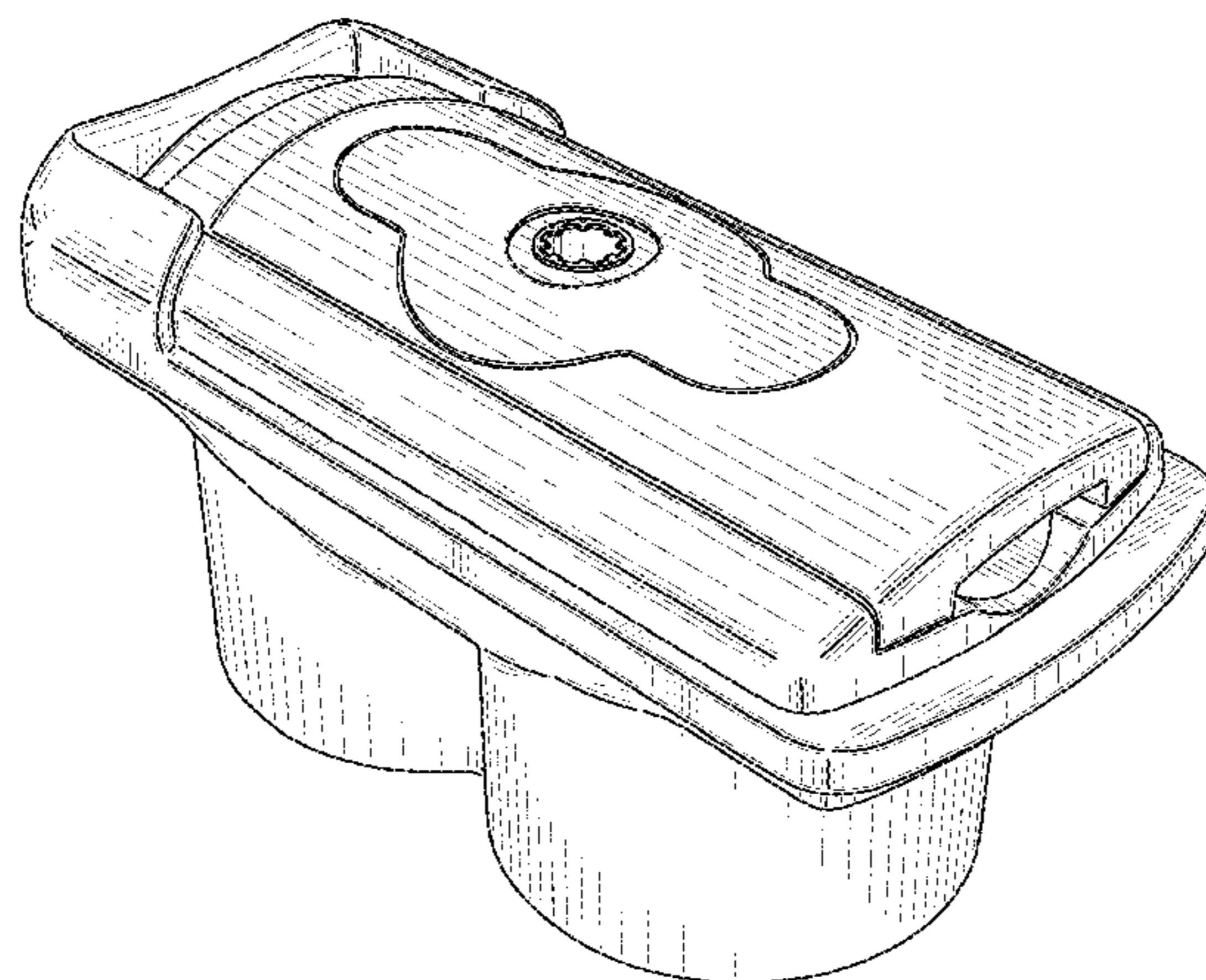
(57) **CLAIM**

The ornamental design for a food slicer, as shown and described.

**DESCRIPTION**

FIG. 1 is a top front left perspective view of a food slicer showing my new design;  
FIG. 2 is a left side elevational view thereof;  
FIG. 3 is a top plan top view thereof,  
FIG. 4 is a right side elevational view thereof;  
FIG. 5 is a bottom plan view thereof,  
FIG. 6 is a rear elevational view thereof; and,  
FIG. 7 is a front elevational view thereof. Any broken lines in the drawings indicate unclaimed subject matter and/or environment and form no part of the claimed design.

**1 Claim, 3 Drawing Sheets**



(56)

**References Cited**

U.S. PATENT DOCUMENTS

5,692,424	A *	12/1997	Wallace	.....	A47J 36/00 83/167
D505,301	S *	5/2005	Wong	.....	D7/673
D512,609	S *	12/2005	Kaposi	.....	D7/672
D535,161	S *	1/2007	So	.....	D7/673
D548,547	S *	8/2007	Kaposi	.....	D7/672
D581,220	S *	11/2008	Boerner	.....	D7/673
D618,517	S *	6/2010	Wong	.....	D7/672
D625,568	S *	10/2010	Wong	.....	D7/673
7,992,476	B2 *	8/2011	Kaposi	.....	B26B 5/008 30/124
D708,917	S *	7/2014	Wong	.....	D7/672
D729,594	S *	5/2015	Stewart	.....	D7/673
D730,704	S *	6/2015	Repac	.....	D7/672
D744,294	S *	12/2015	Linder	.....	D7/629
D744,295	S *	12/2015	Linder	.....	D7/629
D744,793	S *	12/2015	Lipscomb	.....	D7/673

2004/0217219	A1 *	11/2004	Bitonto	.....	A47J 43/255 241/95
2006/0090352	A1 *	5/2006	Kaposi	.....	B26B 5/008 30/299
2007/0089577	A1 *	4/2007	Wong	.....	B26D 3/283 83/13
2009/0078100	A1 *	3/2009	Repac	.....	B26D 1/553 83/425.3
2010/0037471	A1 *	2/2010	Repac	.....	B26D 3/283 30/279.6

OTHER PUBLICATIONS

U.S. Appl. No. 29/524,642, filed Apr. 22, 2015.  
 U.S. Appl. No. 29/526,739, filed May 13, 2015.  
 U.S. Appl. No. 29/526,743, filed May 13, 2015.  
 U.S. Appl. No. 29/526,047, filed May 6, 2015.  
 U.S. Appl. No. 29/526,744, filed May 13, 2015.  
 U.S. Appl. No. 29/504,618, filed Oct. 8, 2014.

\* cited by examiner



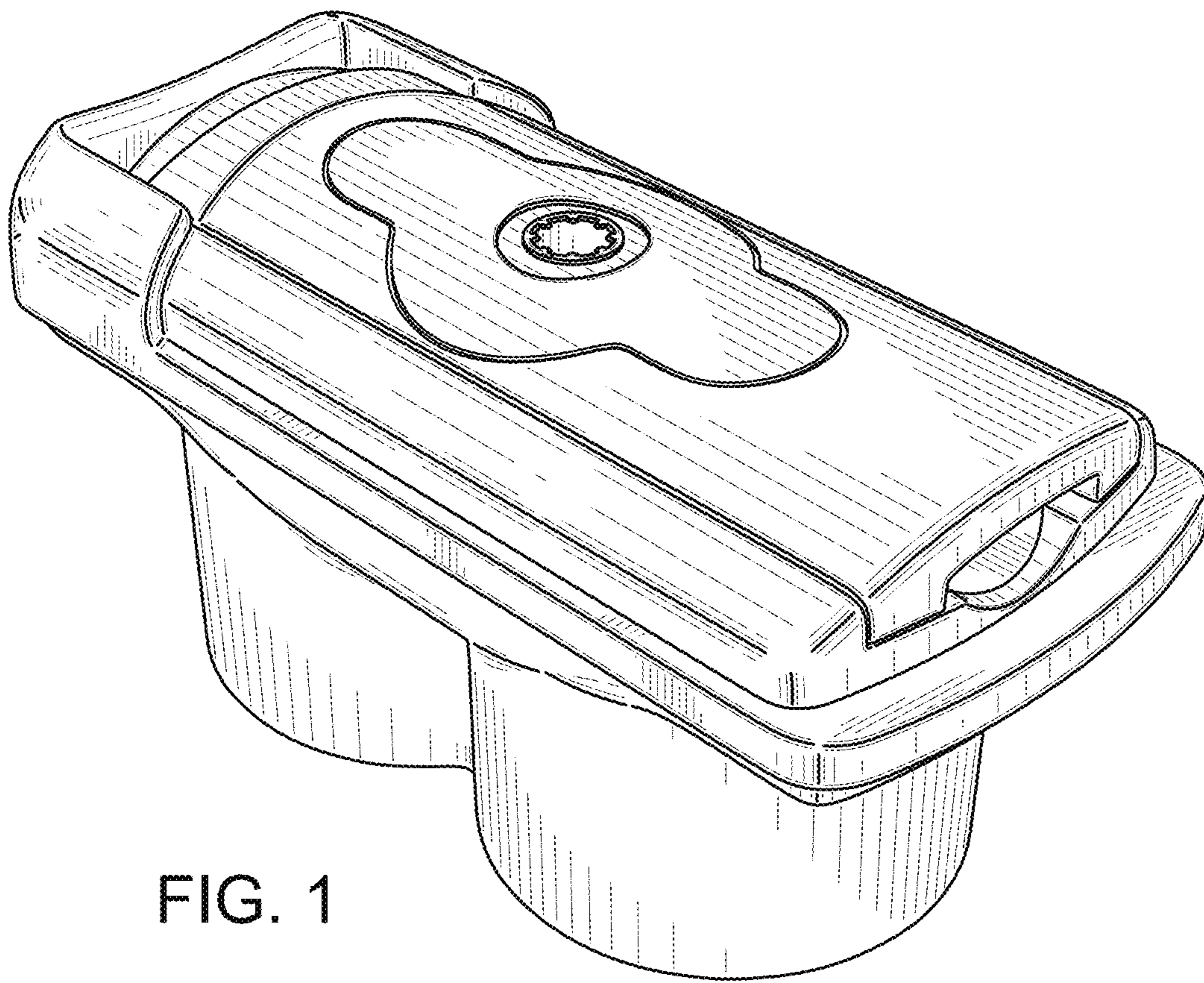


FIG. 1

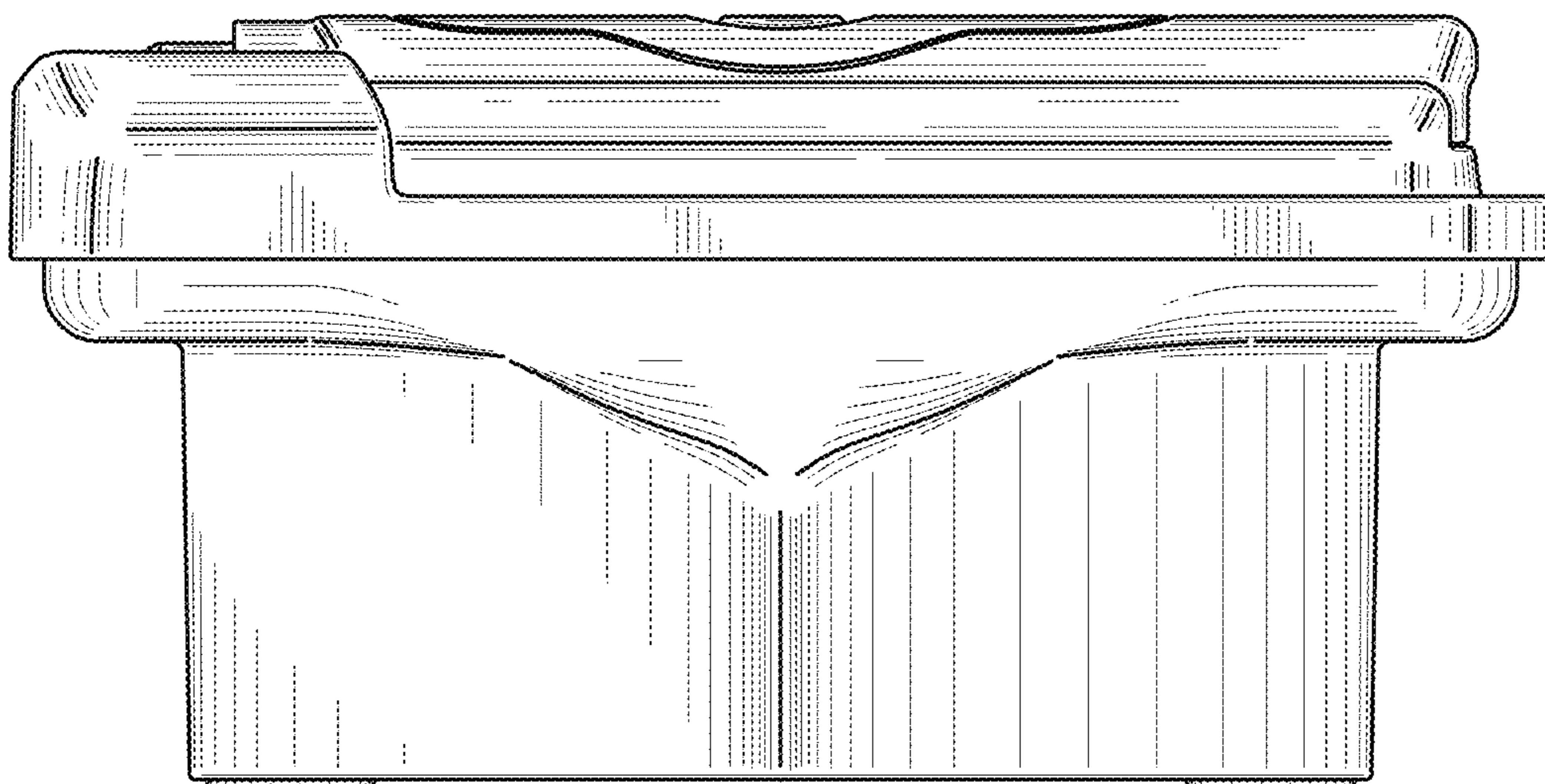


FIG. 2

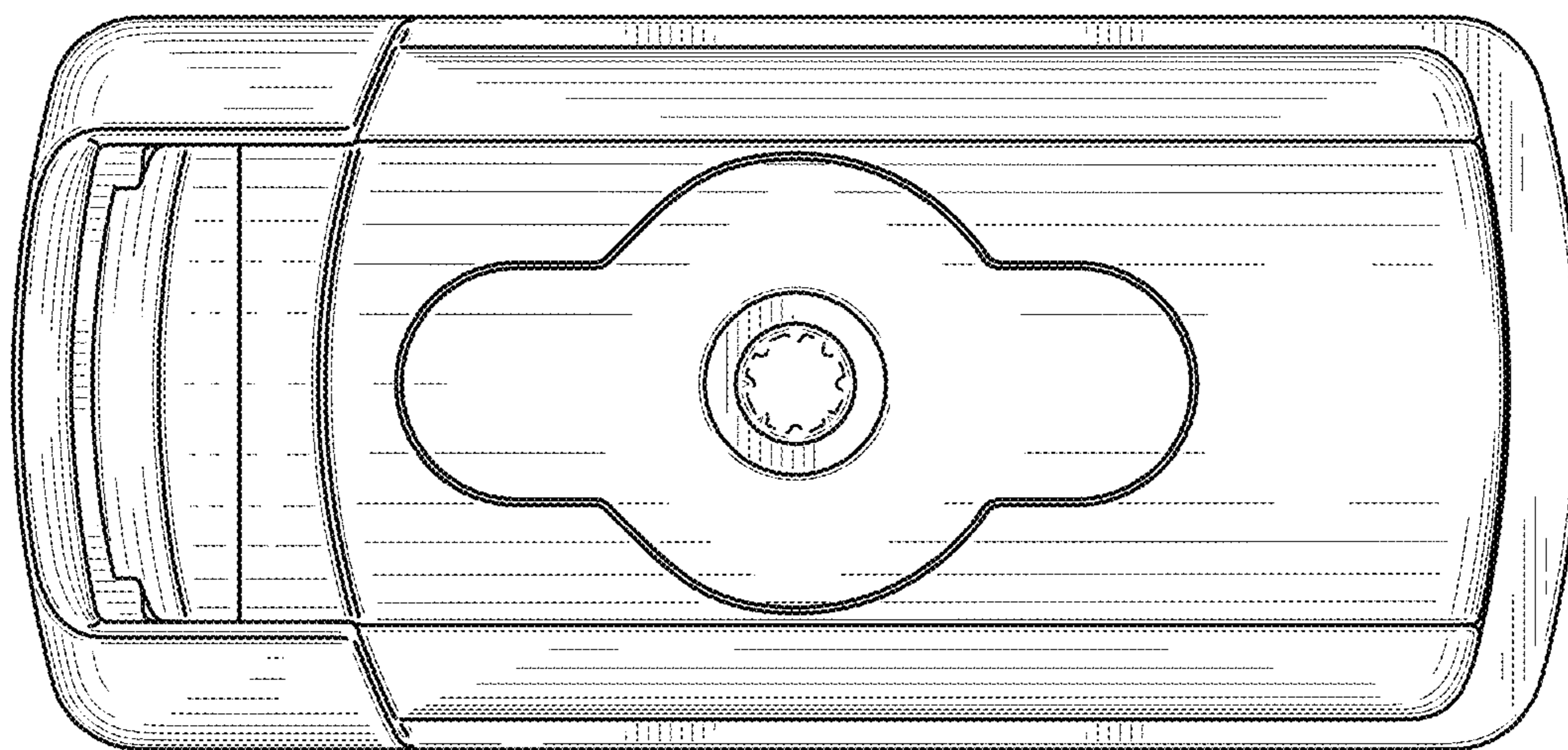


FIG. 3

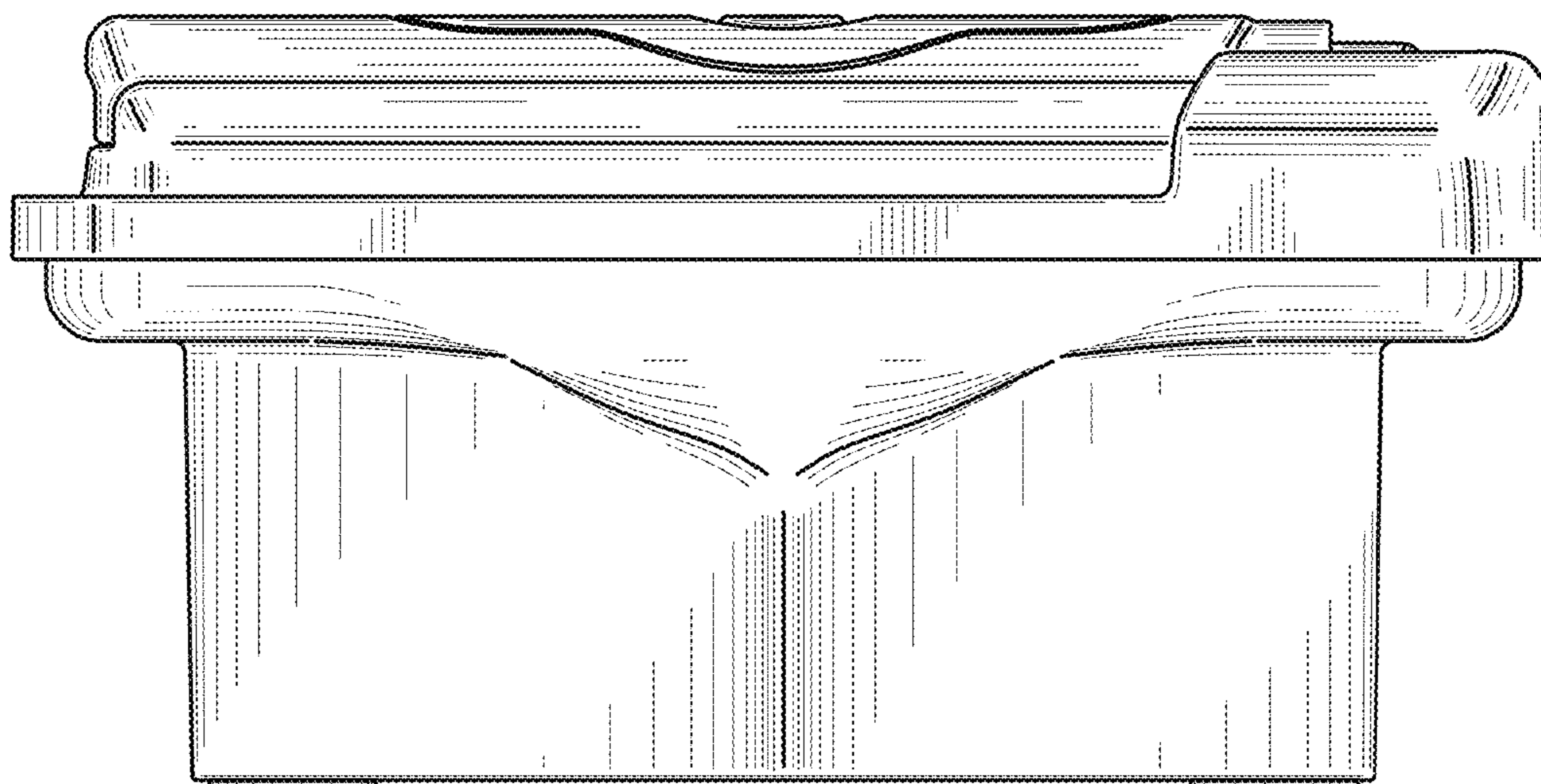


FIG. 4

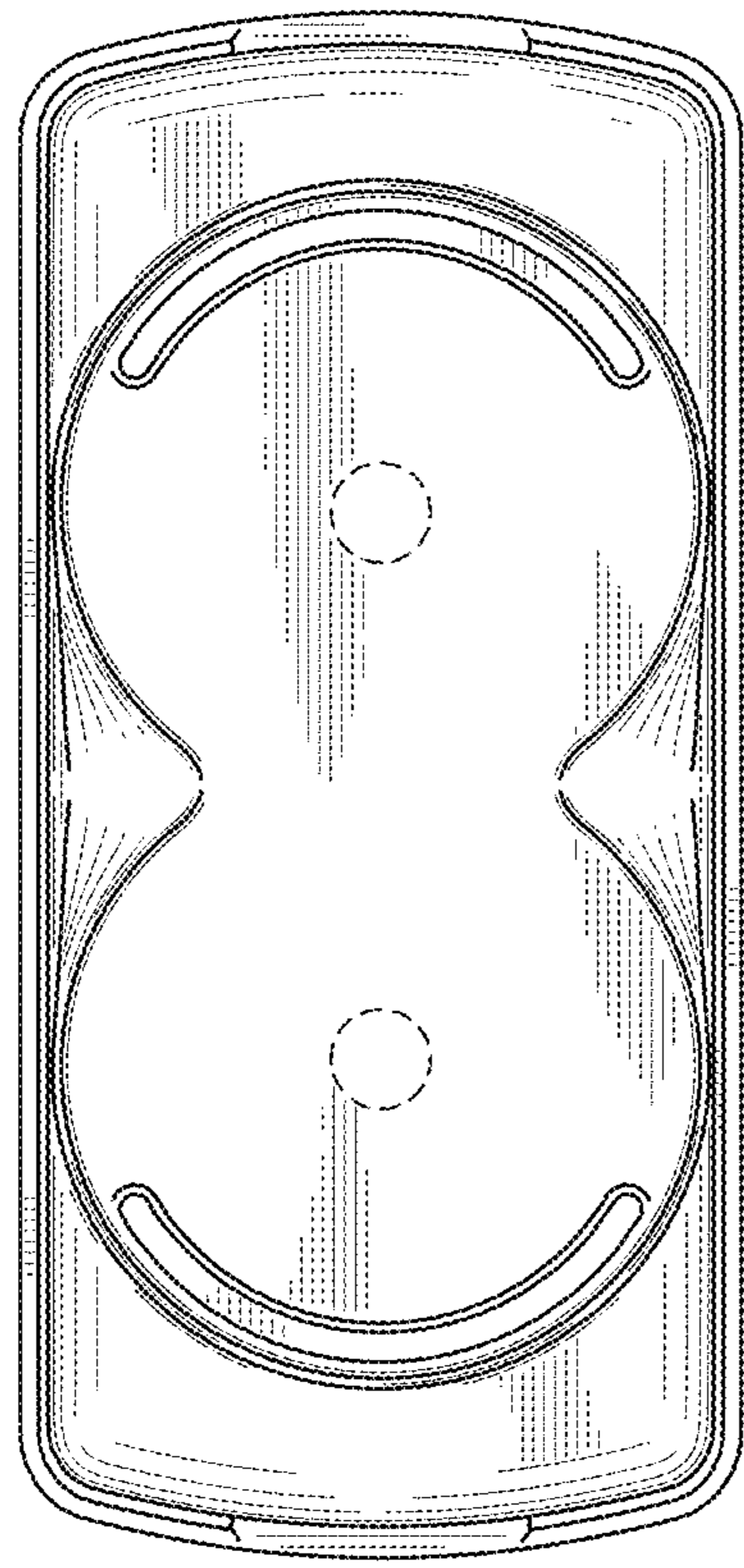


FIG. 5

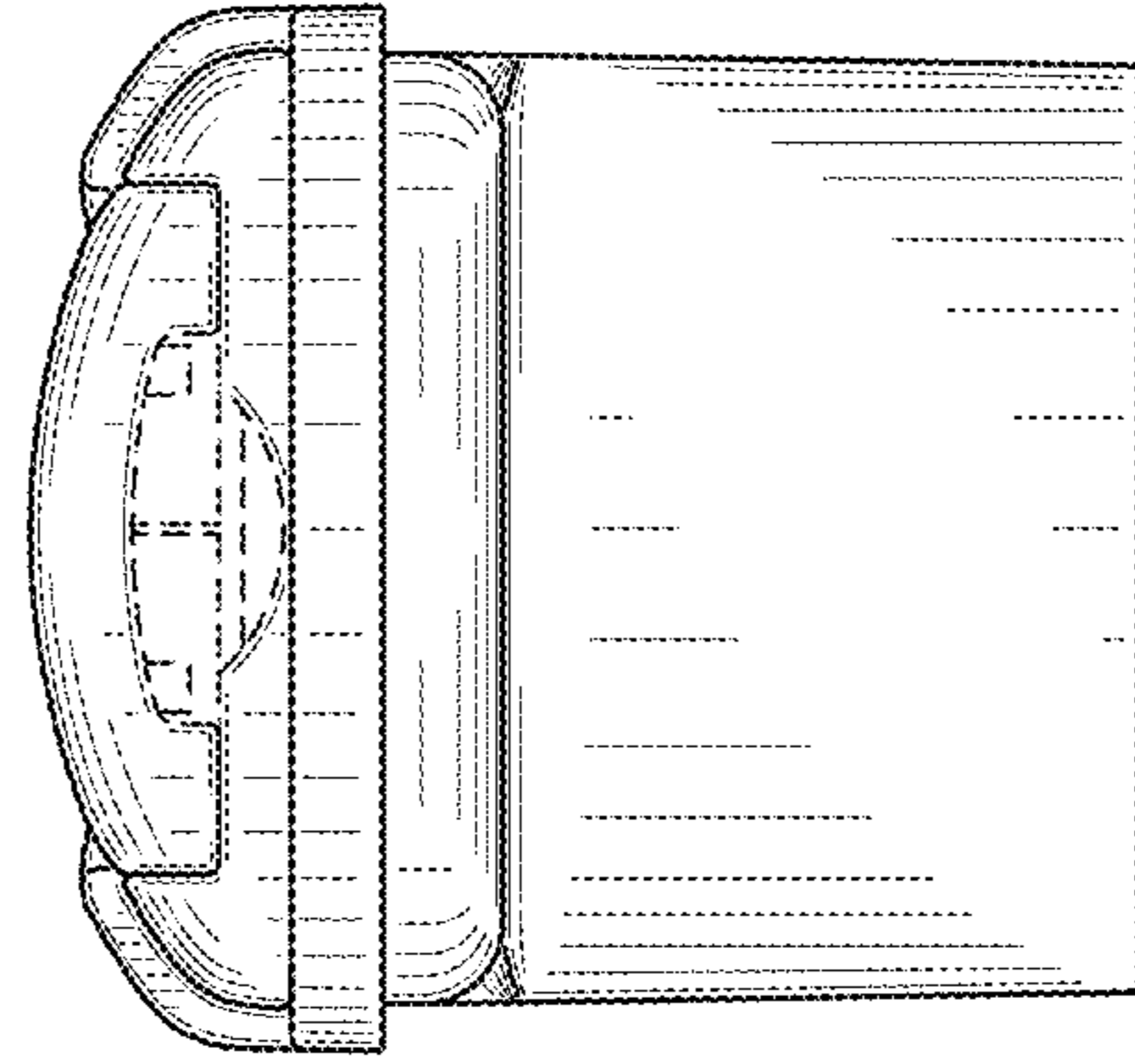


FIG. 7

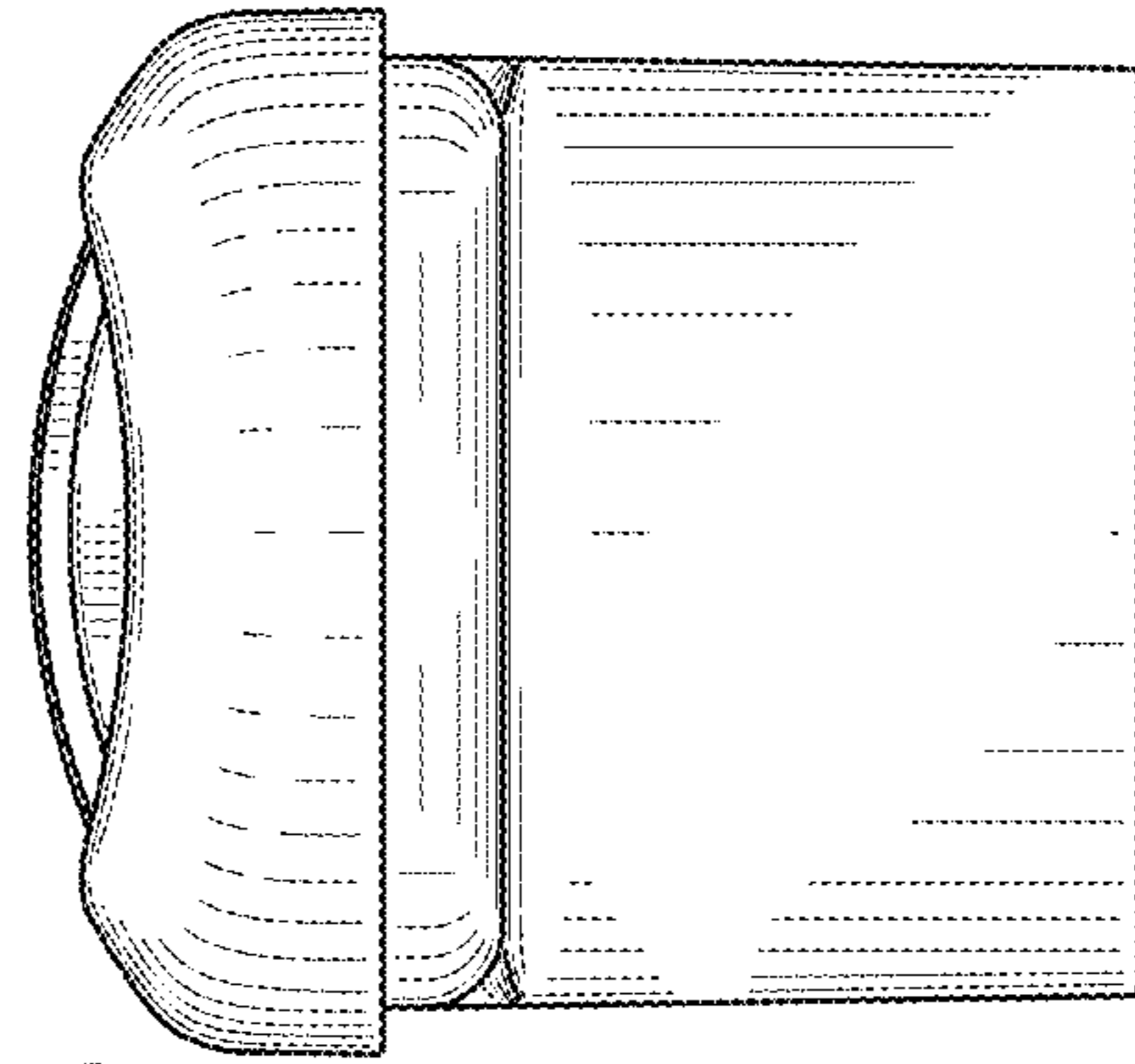


FIG. 6