



US00D770866S

(12) **United States Design Patent**
Bernheim

(10) **Patent No.:** **US D770,866 S**

(45) **Date of Patent:** **** Nov. 8, 2016**

(54) **HAMBURGER PATTY FORMING DEVICE**

(71) Applicant: **Joshua Bernheim**, Vista, CA (US)

(72) Inventor: **Joshua Bernheim**, Vista, CA (US)

(**) Term: **14 Years**

(21) Appl. No.: **29/507,806**

(22) Filed: **Oct. 30, 2014**

(51) **LOC (10) Cl.** **07-04**

(52) **U.S. Cl.**
USPC **D7/672**

(58) **Field of Classification Search**
USPC D7/672, 673.674; 30/114; 99/450.6;
249/117; 425/150; 426/512

CPC A47J 43/20; A47J 37/0611
See application file for complete search history.

D702,512 S *	4/2014	Harris	D7/673
D711,695 S *	8/2014	Micara-Sartori	D7/675
D713,217 S *	9/2014	Micara-Sartori	D7/675
2006/0006581 A1 *	1/2006	St. Germain	A22C 7/0038 264/319
2008/0282477 A1 *	11/2008	Cravatt	A21C 15/007 7/111
2009/0246311 A1 *	10/2009	Hauser	A47J 43/20 425/519
2010/0107900 A1 *	5/2010	Hanson	A47J 43/20 99/450.6

* cited by examiner

Primary Examiner — Rosemary K Tarca

Assistant Examiner — James Thorn, Sr.

(74) *Attorney, Agent, or Firm* — Steven W. Webb

(57) **CLAIM**

The ornamental design for a hamburger patty forming device, as shown and described.

(56) **References Cited**

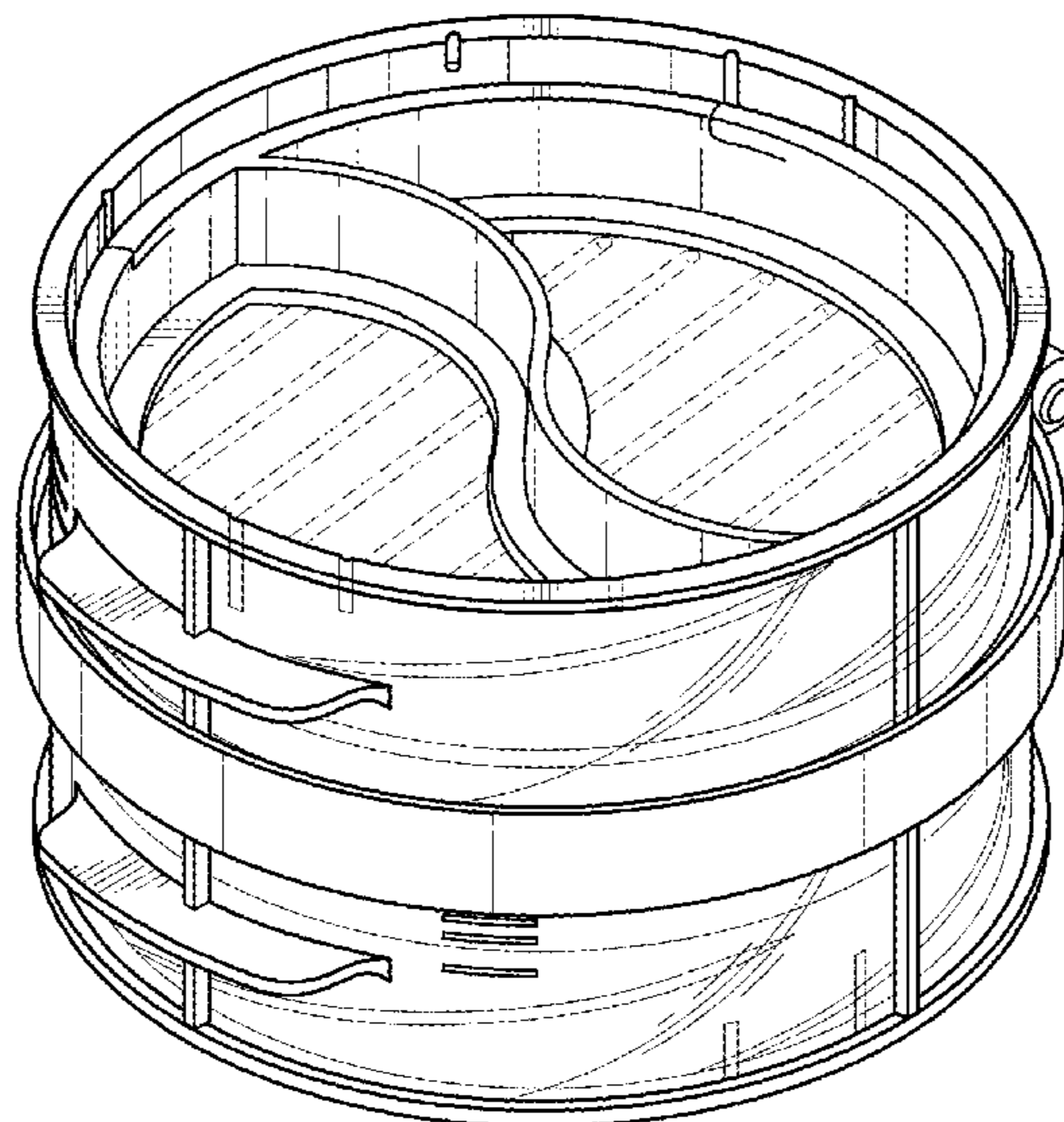
U.S. PATENT DOCUMENTS

3,909,881 A *	10/1975	Anderson	A22C 7/0007 425/116
3,934,308 A *	1/1976	Neri	A22C 7/0076 425/409
D245,827 S *	9/1977	Korpi	D7/674
4,106,162 A *	8/1978	Fournier	A22C 7/0046 425/298
D333,759 S *	3/1993	Ferrin	D7/672
D350,882 S *	9/1994	Charland	D7/672
D364,992 S *	12/1995	Wooderson	D7/323
D369,948 S *	5/1996	Tobiasz	D7/674
D586,628 S *	2/2009	Bevers	D7/672
D595,998 S *	7/2009	Hauser	D7/672
D621,668 S *	8/2010	Zemel	D7/672
D662,373 S *	6/2012	Krus	D7/676
D665,236 S *	8/2012	Zemel	D7/675
D666,062 S *	8/2012	Zemel	D7/675
D679,961 S *	4/2013	Zemel	D7/672
D680,389 S *	4/2013	Zemel	D7/672
D695,577 S *	12/2013	Bourbeau	D7/672

DESCRIPTION

FIG. 1 is a perspective view of a first embodiment of a hamburger patty forming device;
 FIG. 2 is a bottom view thereof;
 FIG. 3 is a front view thereof;
 FIG. 4 is a side view thereof;
 FIG. 5 is a back view thereof;
 FIG. 6 is a perspective view of a second embodiment of a hamburger forming device, shown with the measurement lines removed;
 FIG. 7 is a bottom view thereof;
 FIG. 8 is a front view thereof;
 FIG. 9 is a side view thereof; and,
 FIG. 10 is a back view thereof.
 The broken lines shown in the drawings are included for the purpose of illustrating environmental structure and form no part of the claimed design.

1 Claim, 6 Drawing Sheets



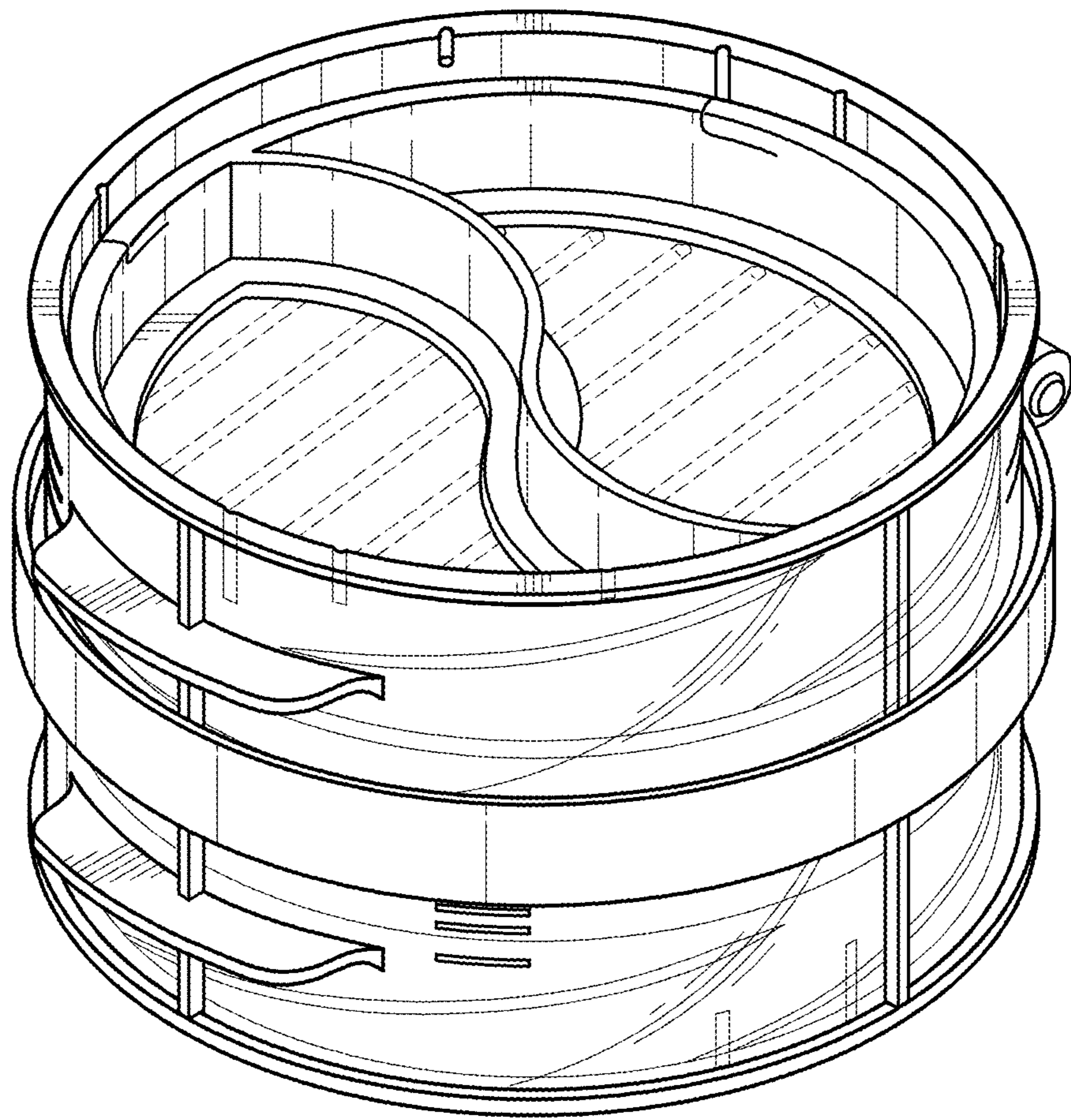


FIG. 1

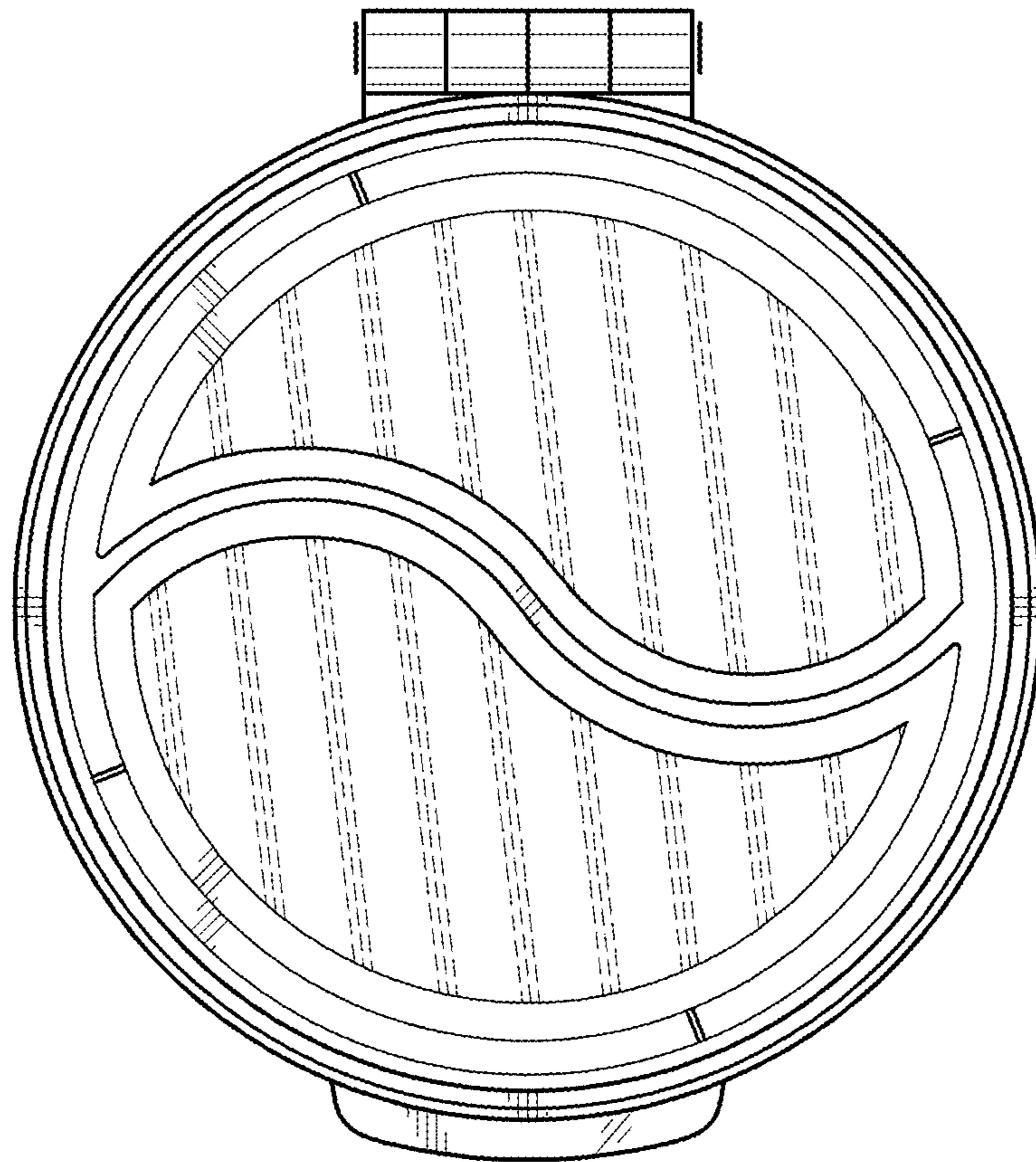


FIG. 2

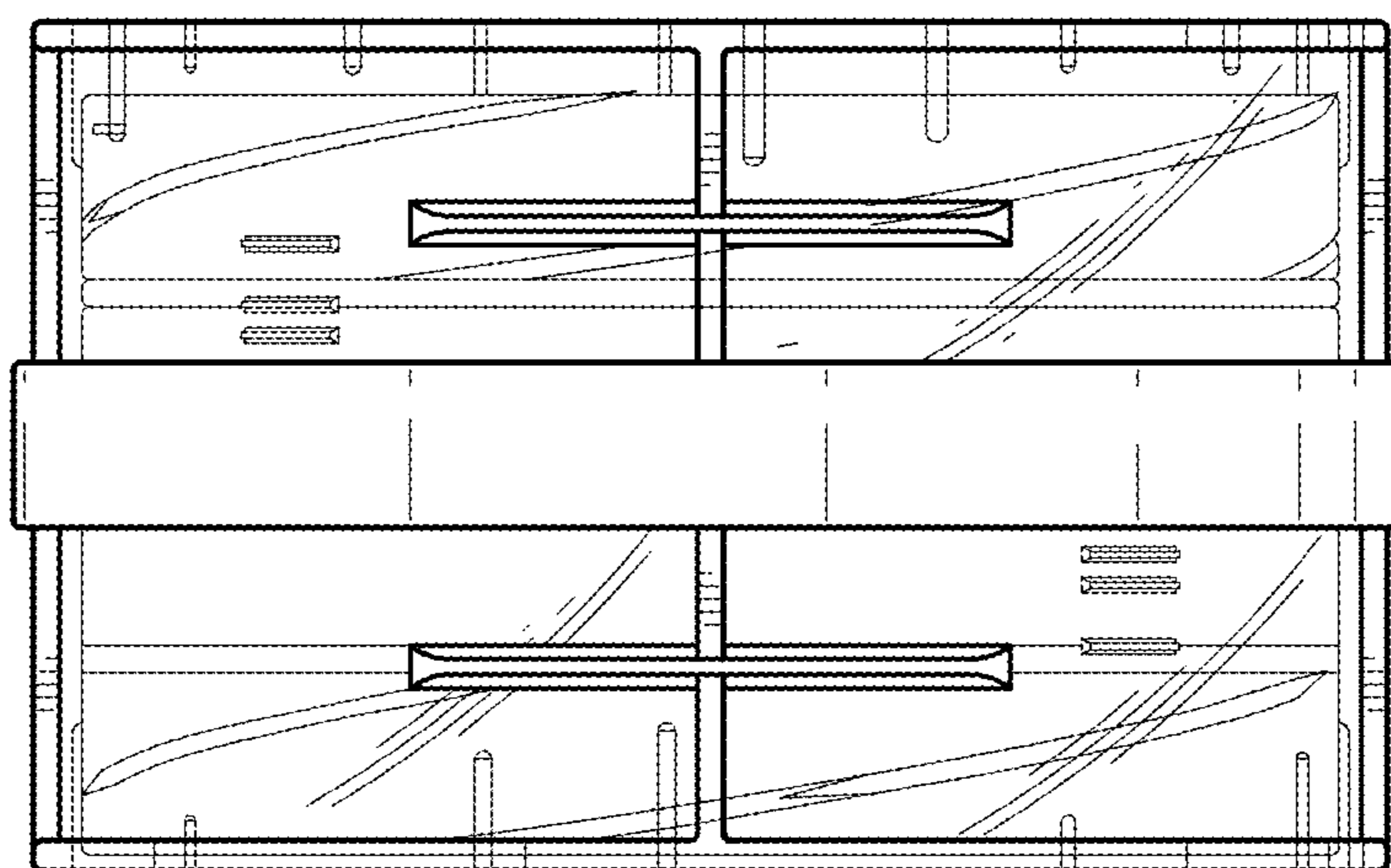


FIG. 3

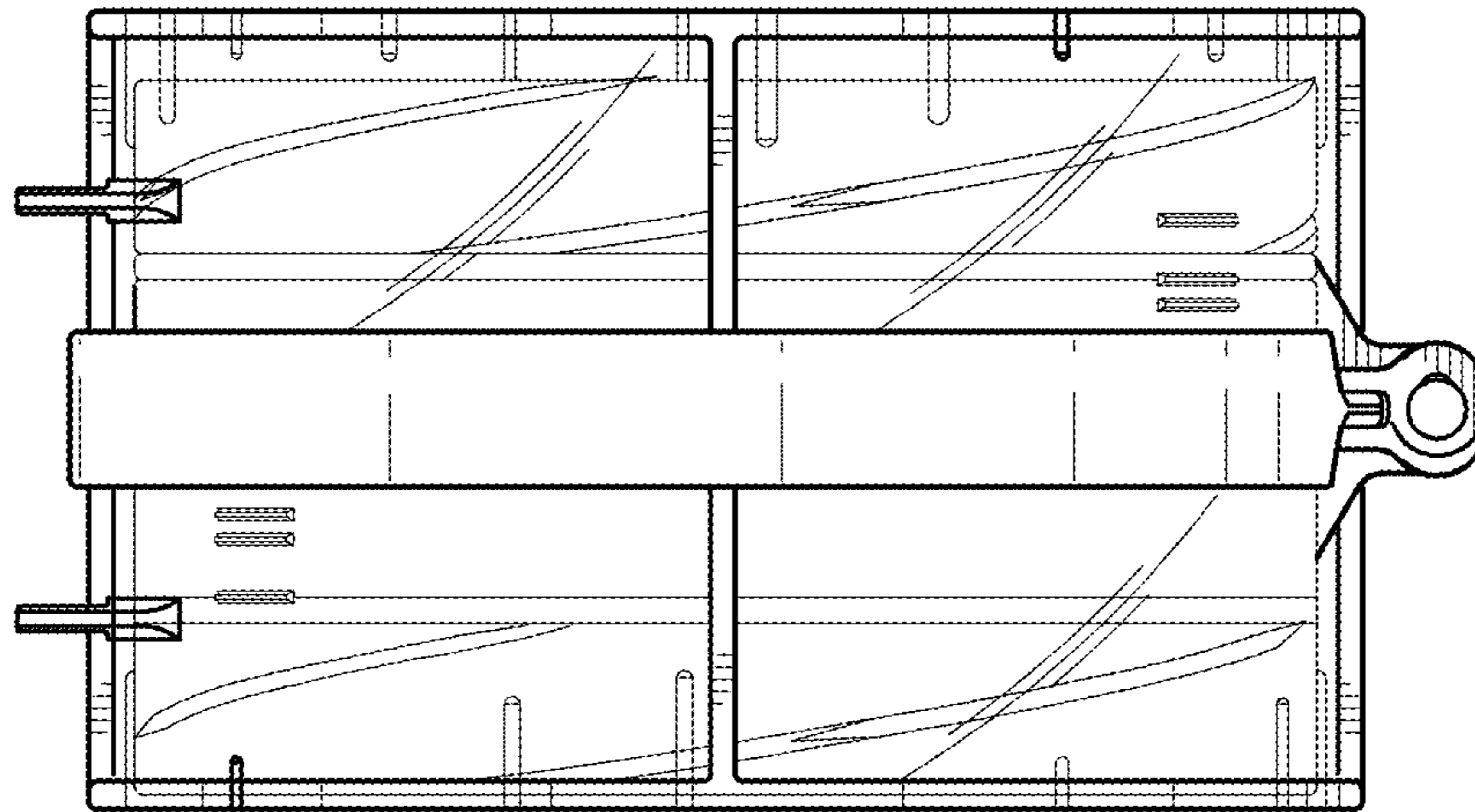


FIG. 4

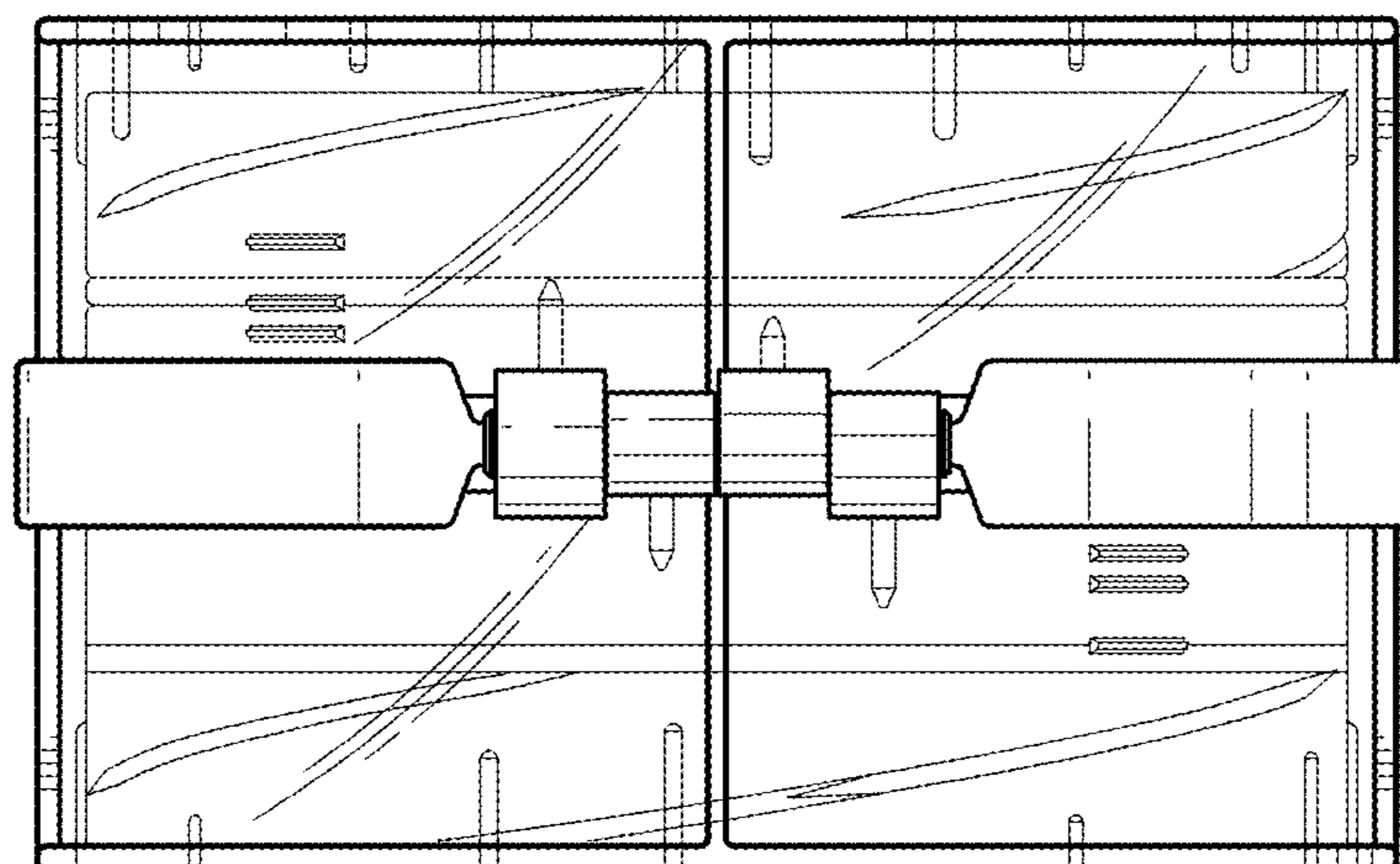


FIG. 5

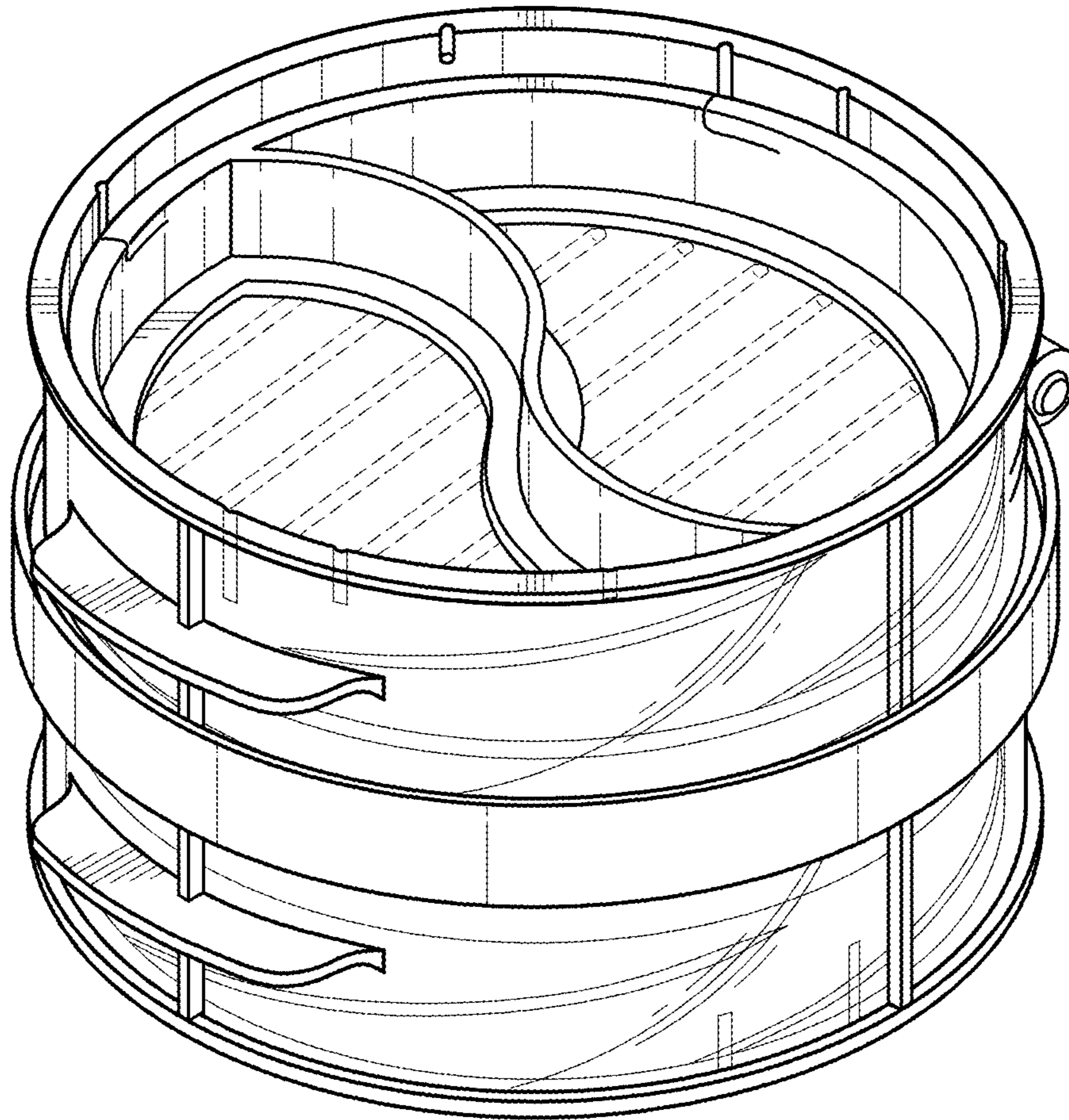


FIG. 6

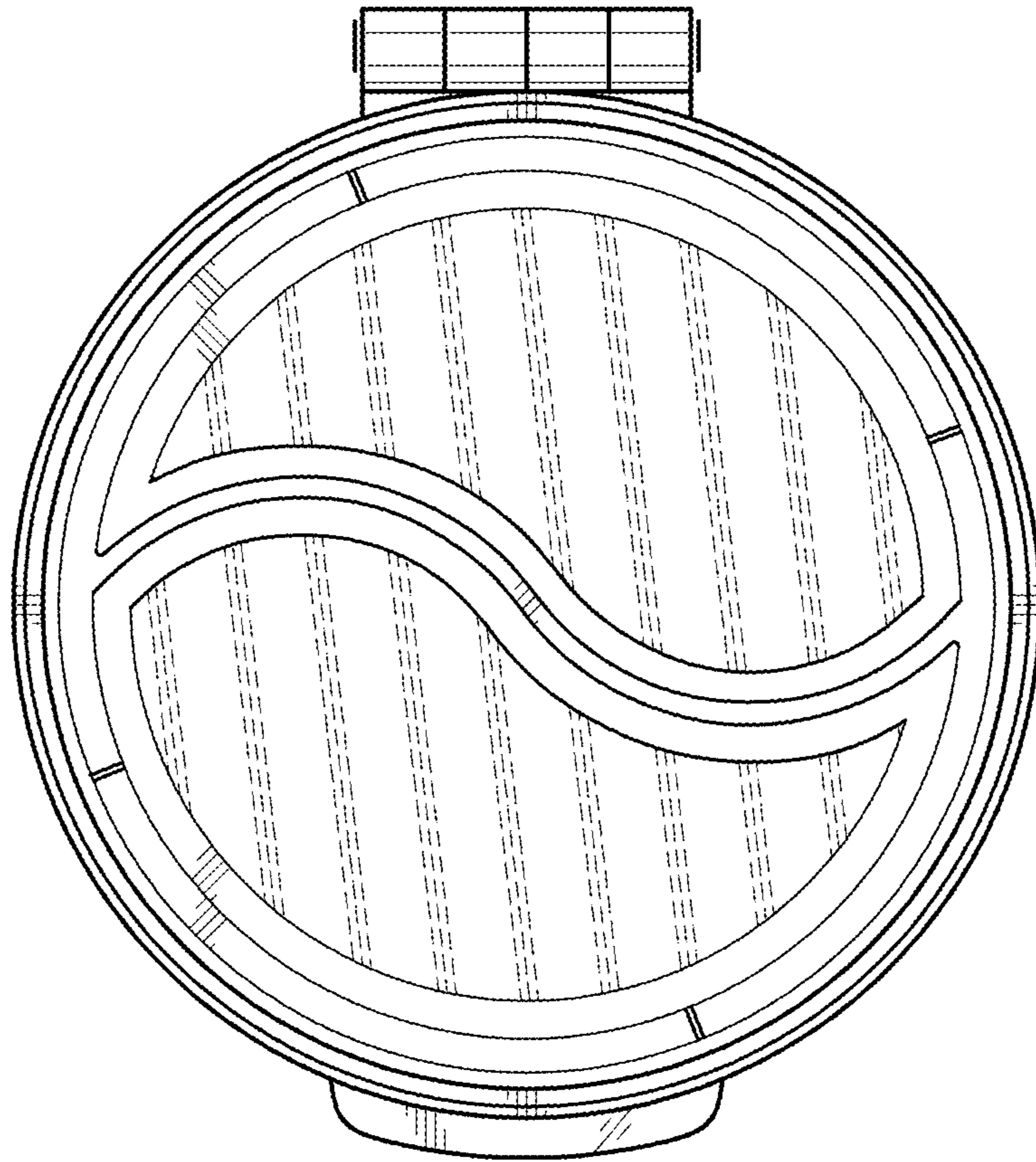


FIG. 7

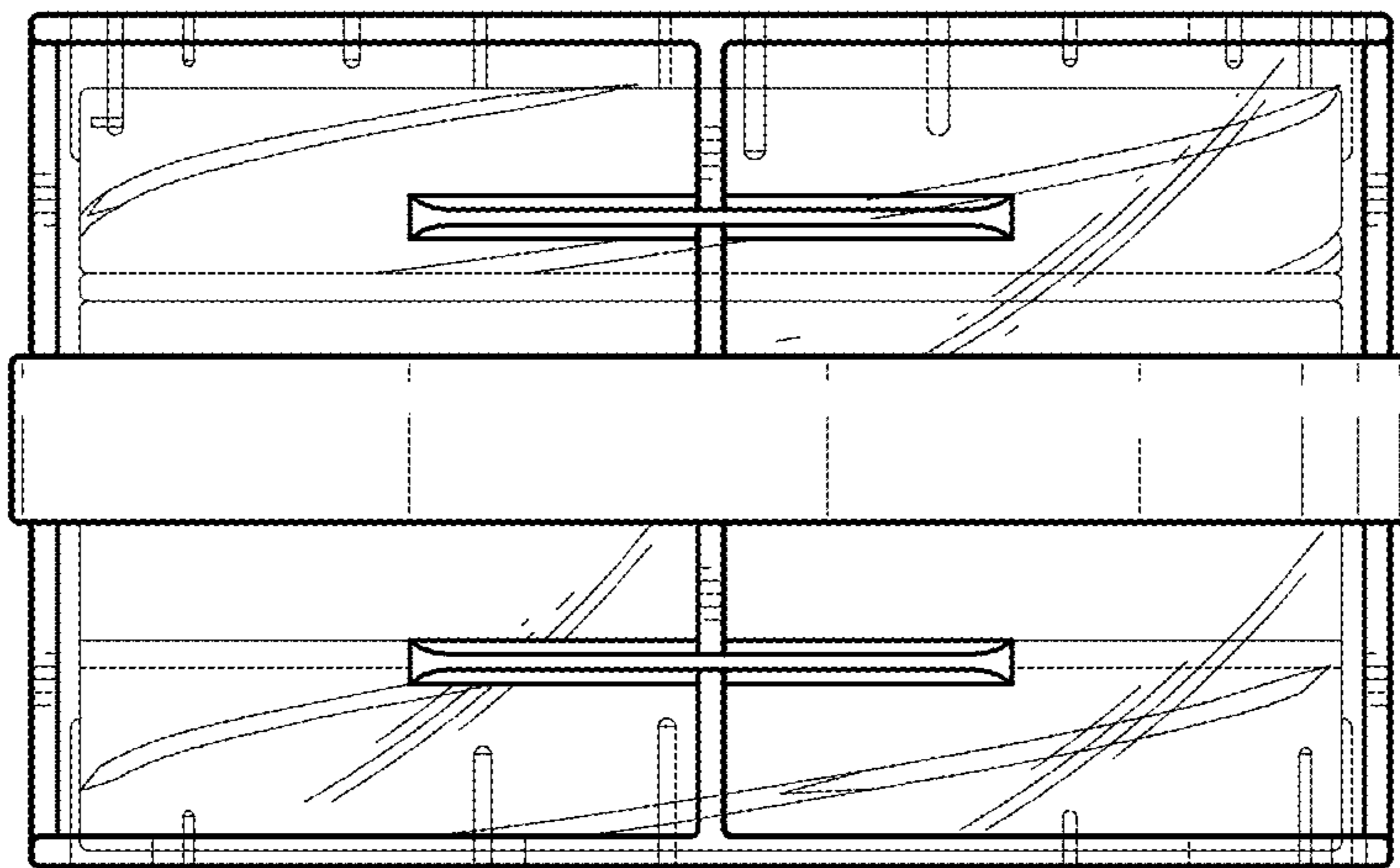


FIG. 8

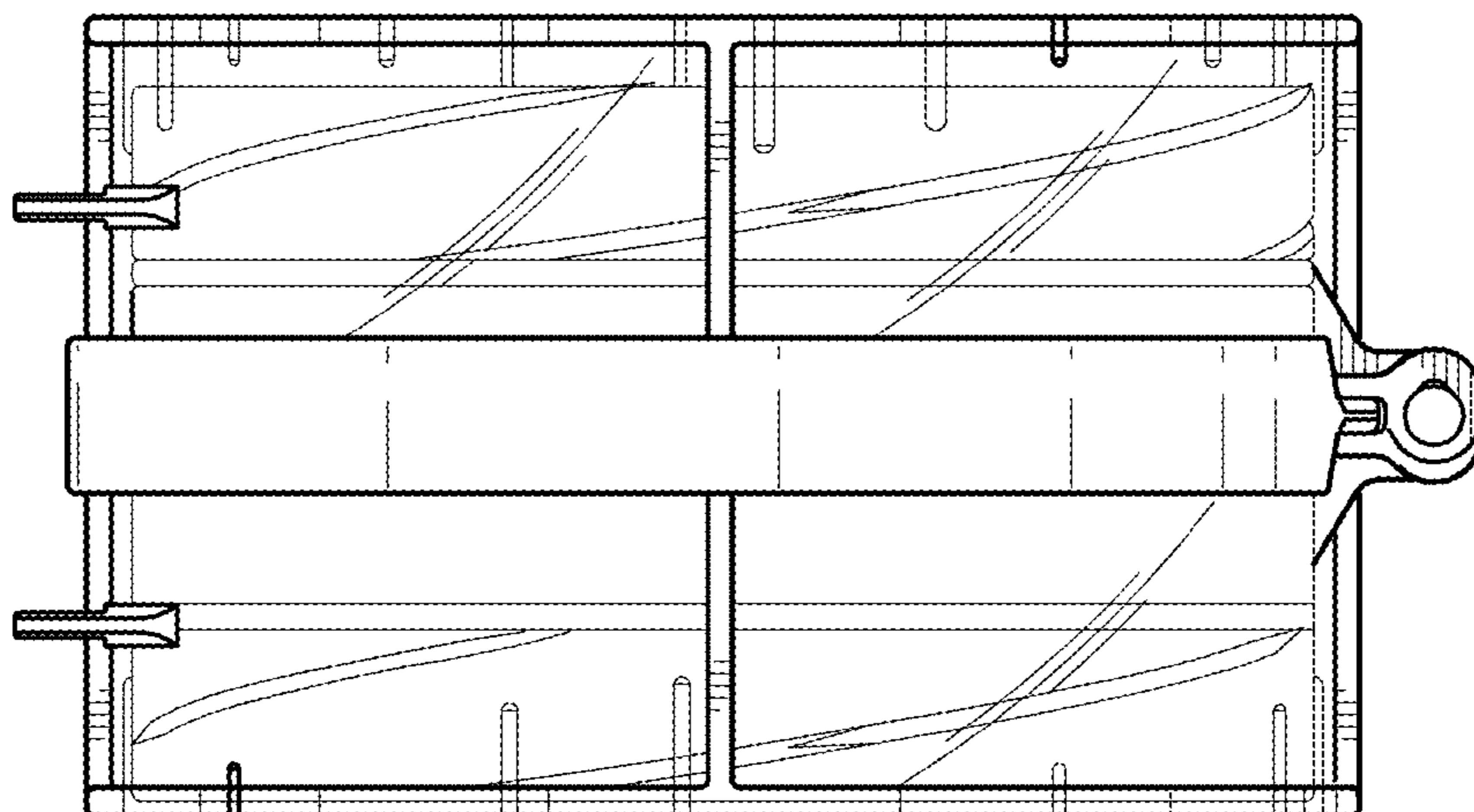


FIG. 9

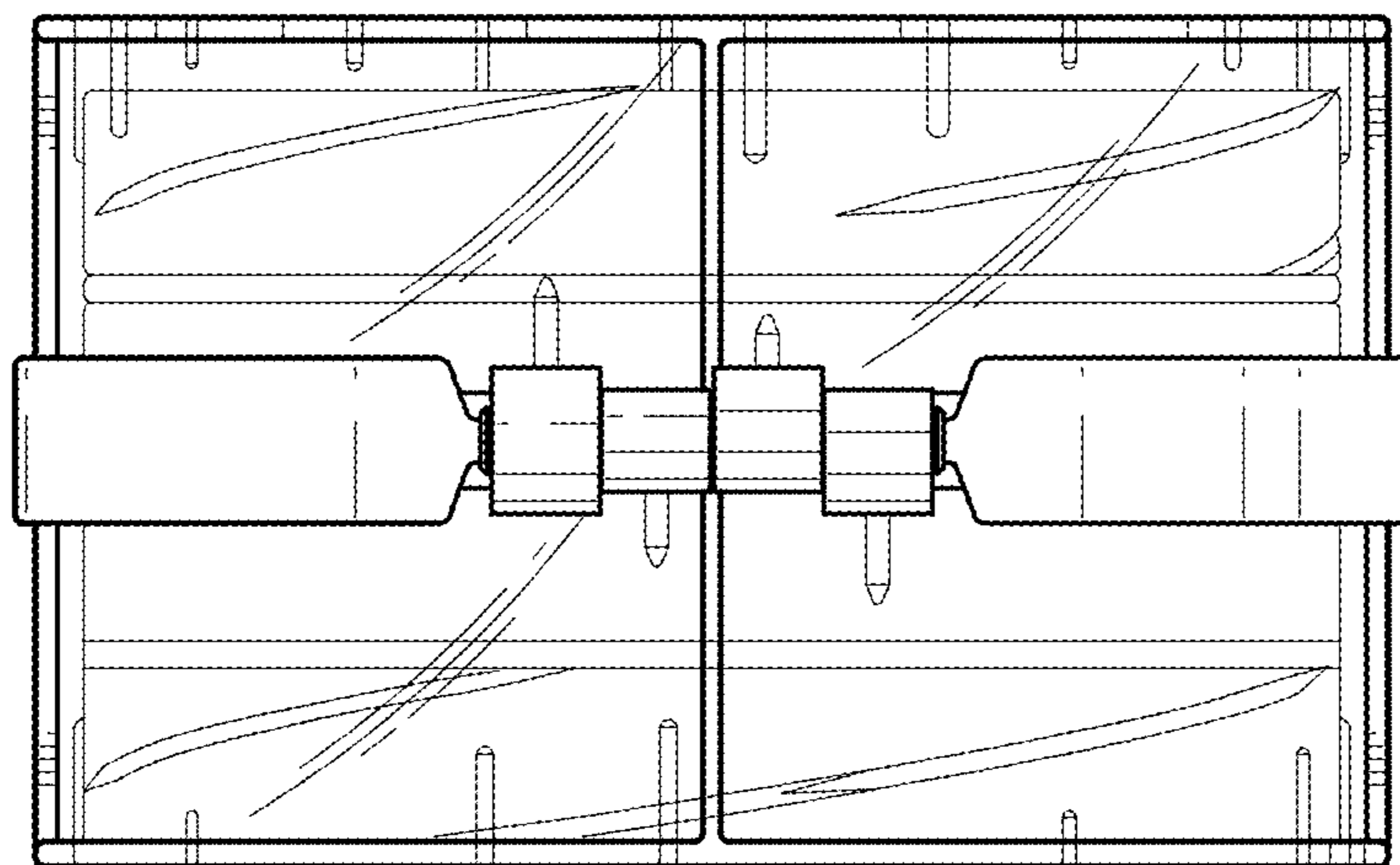


FIG. 10