



US00D770865S

(12) **United States Design Patent**
Shirley

(10) **Patent No.:** **US D770,865 S**
(45) **Date of Patent:** **** Nov. 8, 2016**

(54) **CITRUS REAMER**

(71) Applicant: **Dart Industries Inc.**, Orlando, FL (US)

(72) Inventor: **Nathan E. Shirley**, Orlando, FL (US)

(73) Assignee: **Dart Industries Inc.**, Orlando, FL (US)

(**) Term: **15 Years**

(21) Appl. No.: **29/532,326**

(22) Filed: **Jul. 6, 2015**

(51) **LOC (10) Cl.** **07-04**

(52) **U.S. Cl.**
USPC **D7/665**

(58) **Field of Classification Search**
USPC D7/665, 666, 667, 372-374, 381, 384
CPC A47J 43/25; A47J 19/022; A47J 19/30;
A47J 19/06; A47J 19/02; A23N 1/00; A23N
1/003

See application file for complete search history.

(56) **References Cited**

U.S. PATENT DOCUMENTS

- 2,042,341 A * 5/1936 Hgenfritz A47J 19/022
99/508
- 5,088,392 A * 2/1992 Ancona A47J 43/25
220/4.03
- D353,079 S * 12/1994 Colombo D7/665
- D485,474 S * 1/2004 Wong D7/665
- D512,880 S 12/2005 de Groot
- D648,988 S 11/2011 Ablo

FOREIGN PATENT DOCUMENTS

JP D1191136 12/2003

OTHER PUBLICATIONS

Pro-V Juicer; High Quality Stainless Steel Juice Extractor Juice Machine Multi—Functional Juicer; Natthapat Home Product; Jan. 1, 2013.
Tanboo Plastic Hand Juicer; Tanboo Slicer; fishpond.com.nz; Jan. 1, 2013.

* cited by examiner

Primary Examiner — Terry Wallace

(74) *Attorney, Agent, or Firm* — Taylor J. Ross

(57) **CLAIM**

The ornamental design for a citrus reamer, as shown and described.

DESCRIPTION

FIG. 1 is a top, front and right side perspective view of a citrus reamer showing my new design;
FIG. 2 is a bottom, front and right side perspective view thereof;
FIG. 3 is a top plan view thereof;
FIG. 4 is a bottom plan view thereof;
FIG. 5 is a right side elevation view thereof;
FIG. 6 is a left side elevation view thereof;
FIG. 7 is a front elevation view thereof; and,
FIG. 8 is a rear elevation view thereof.

1 Claim, 8 Drawing Sheets

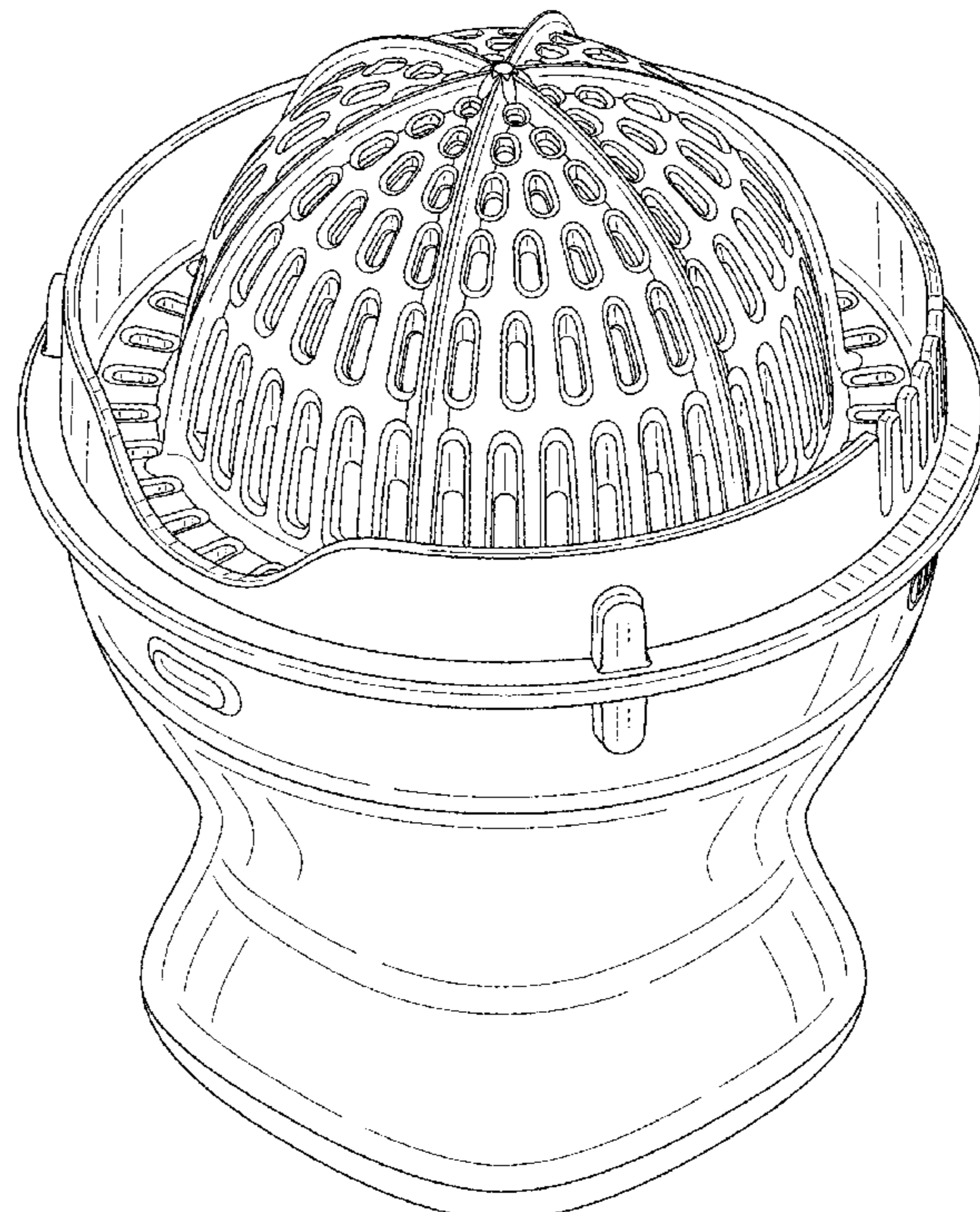
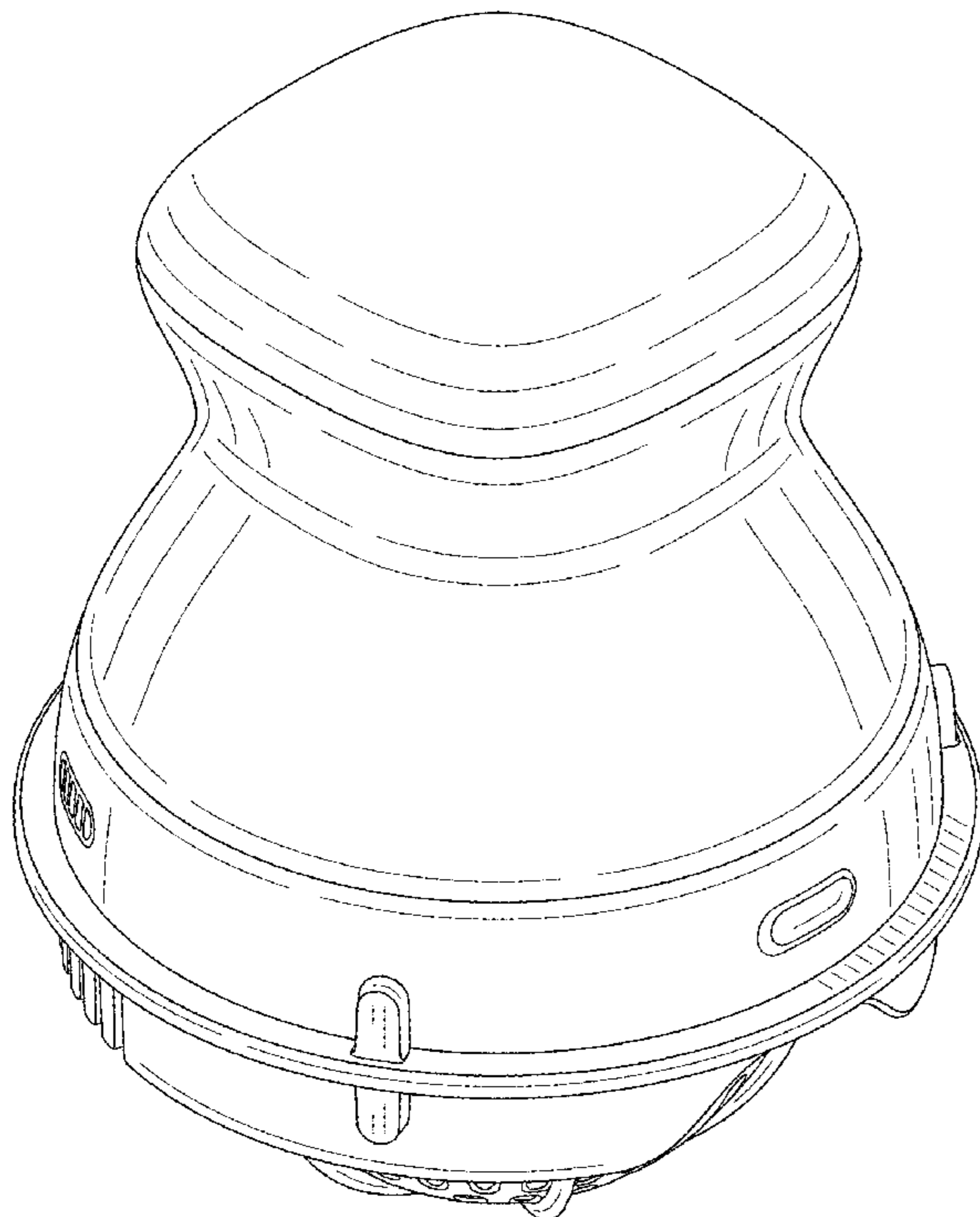


FIG. 1

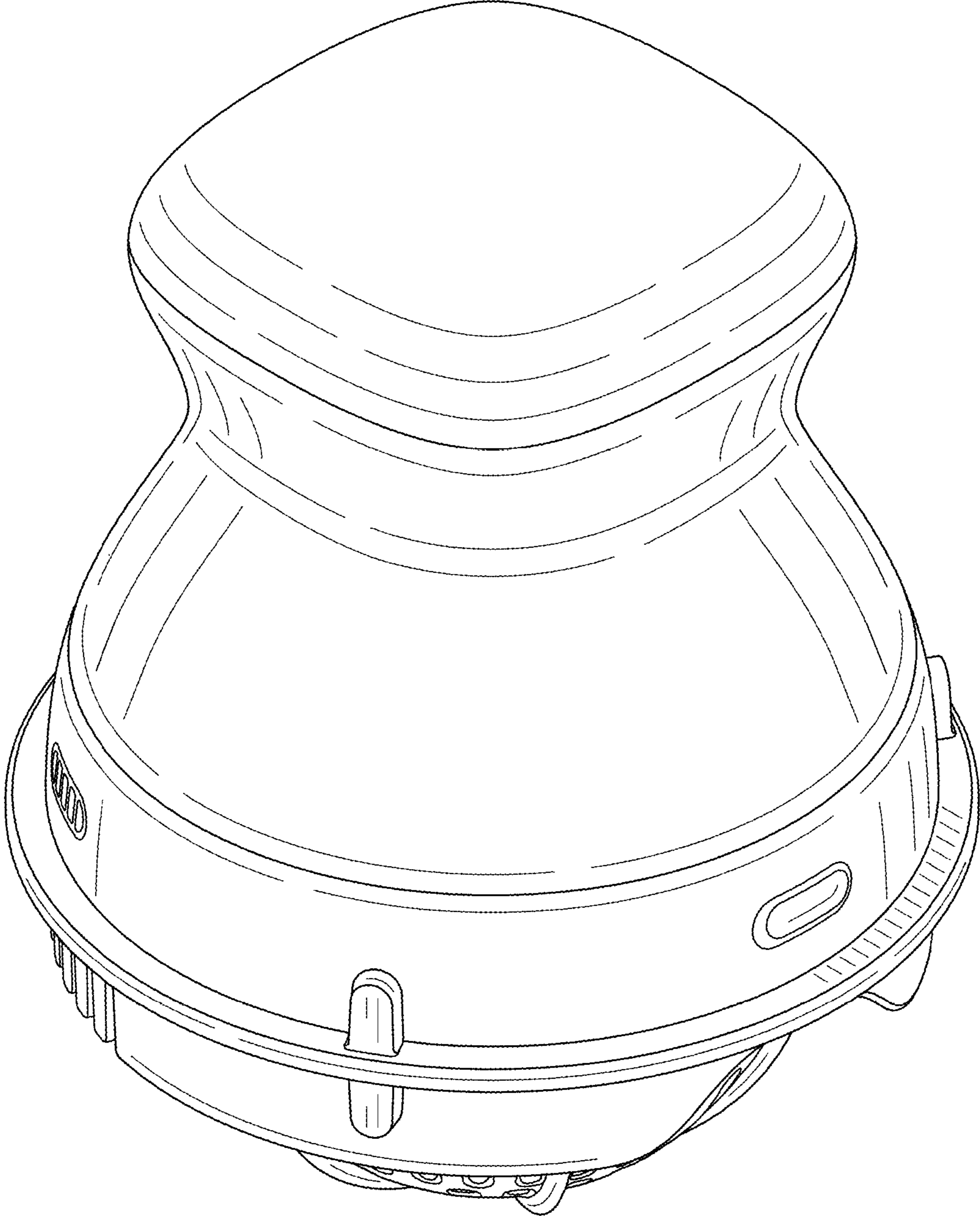


FIG. 2

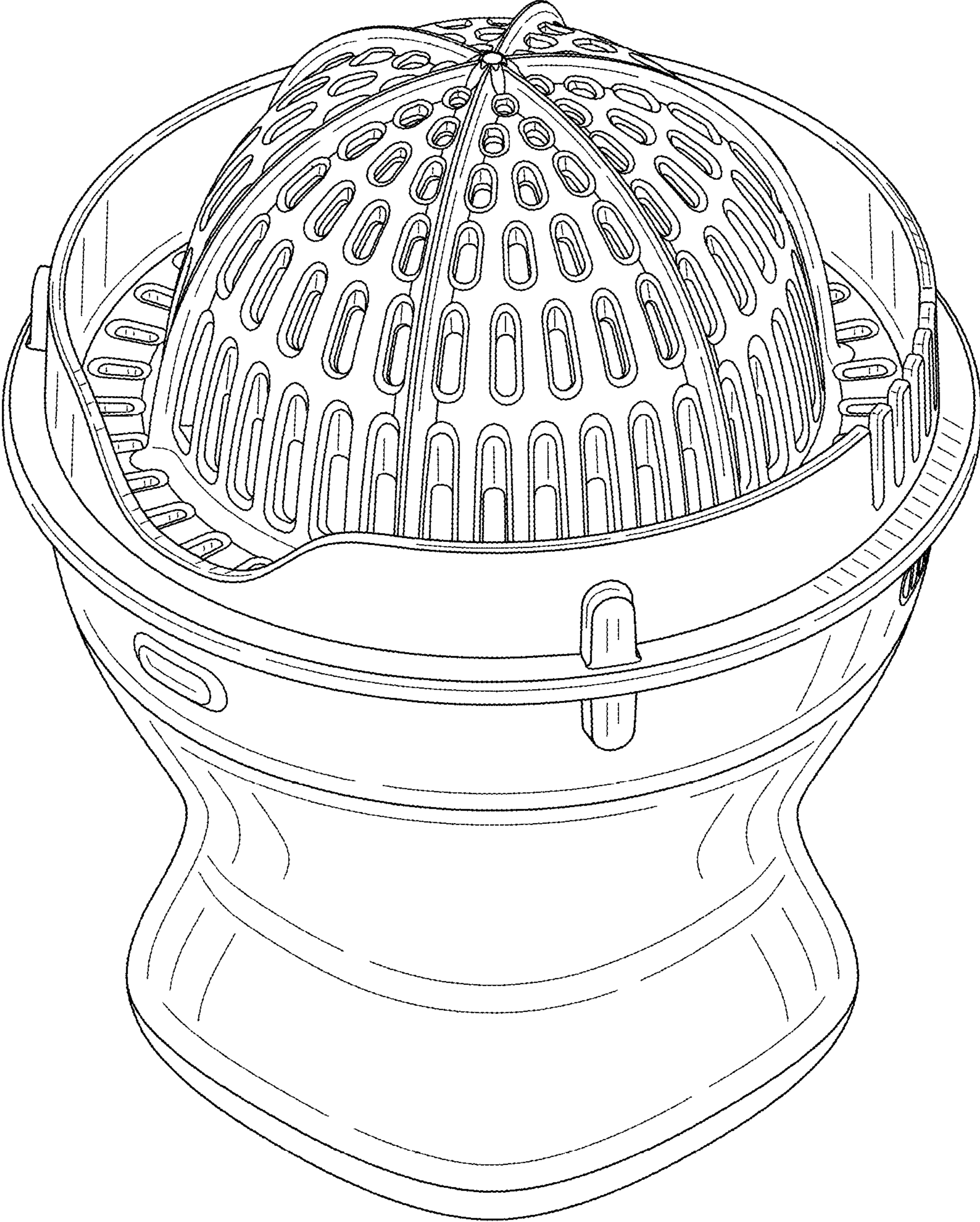


FIG. 3

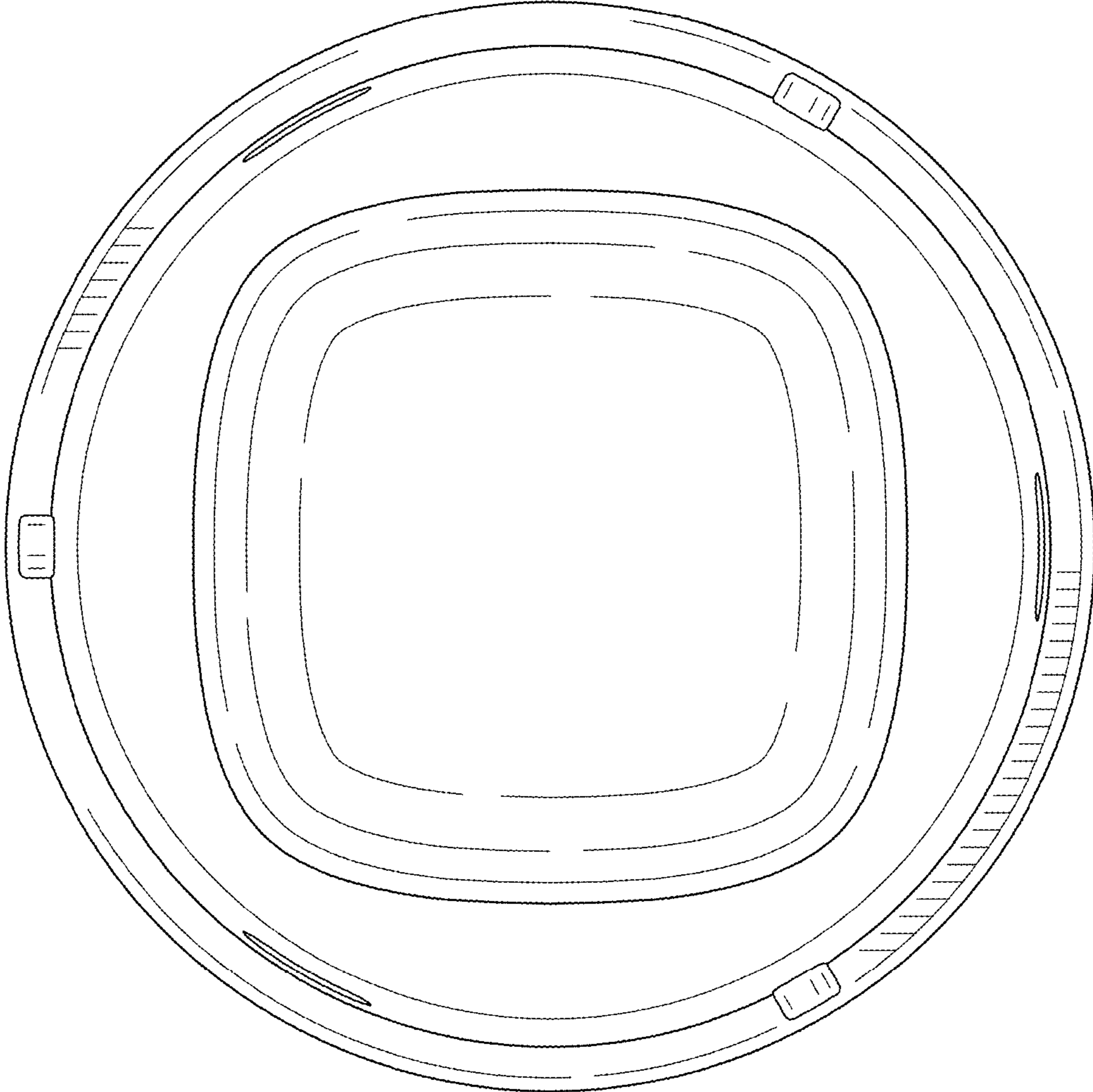


FIG. 4

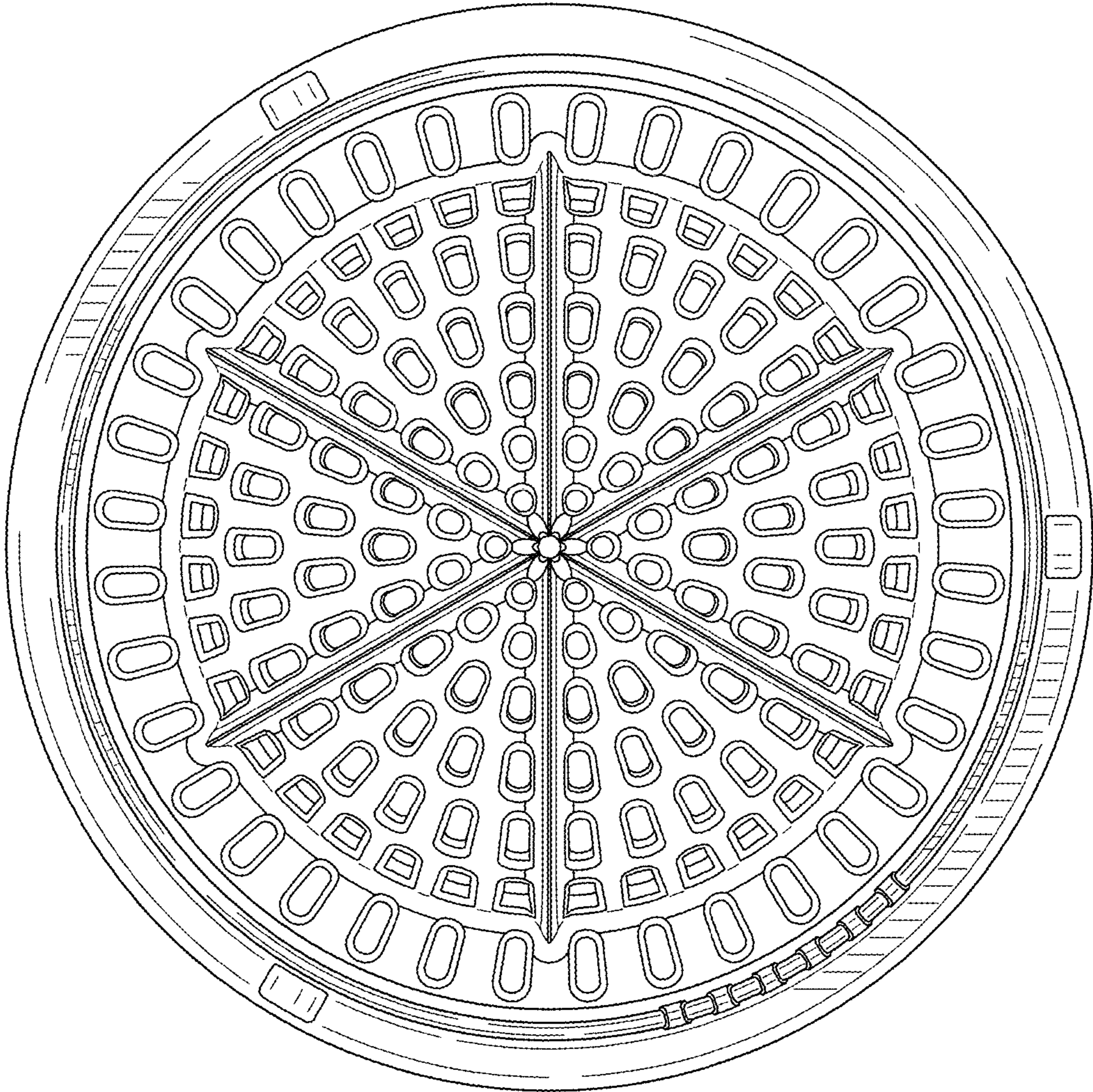


FIG. 5

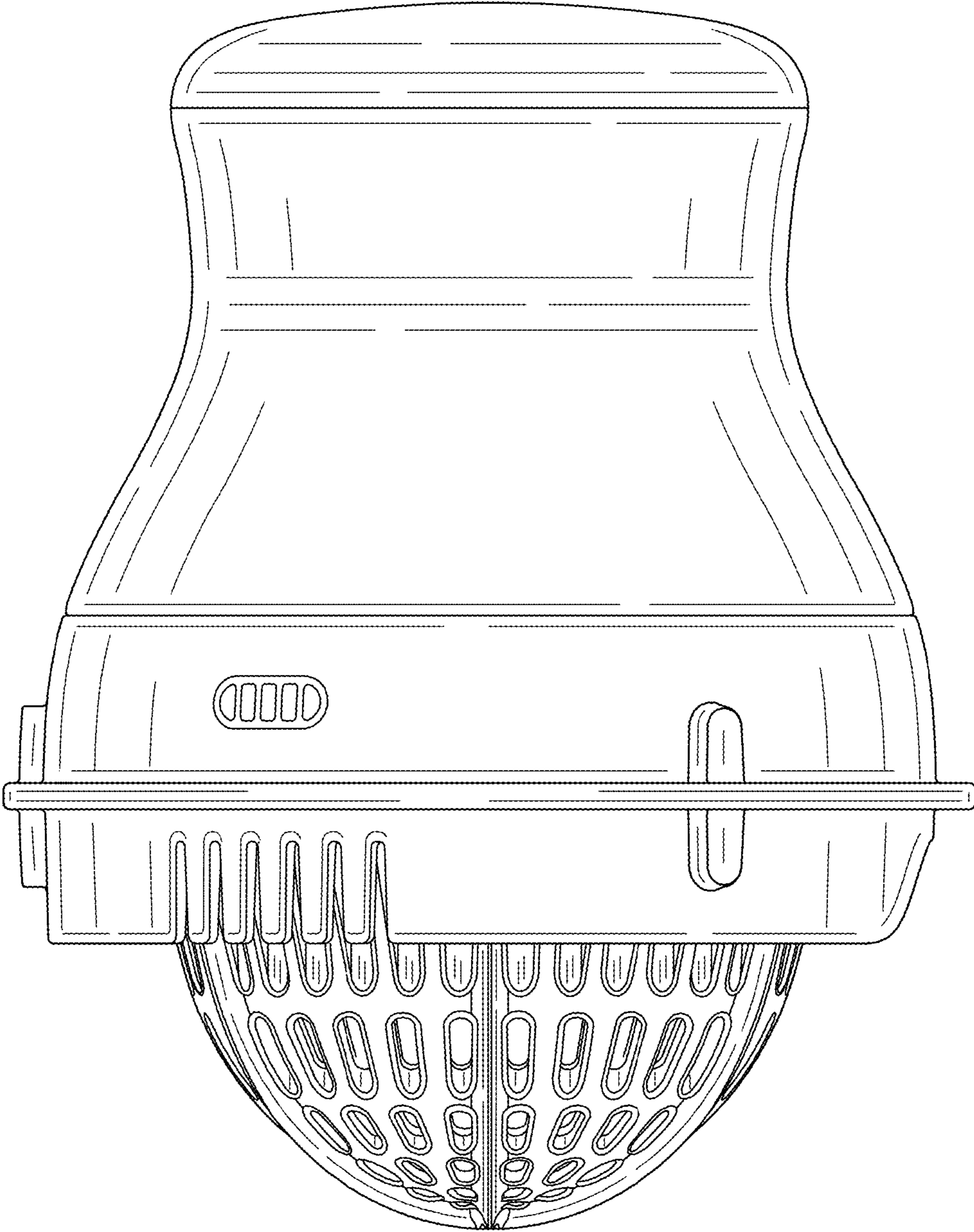


FIG. 6

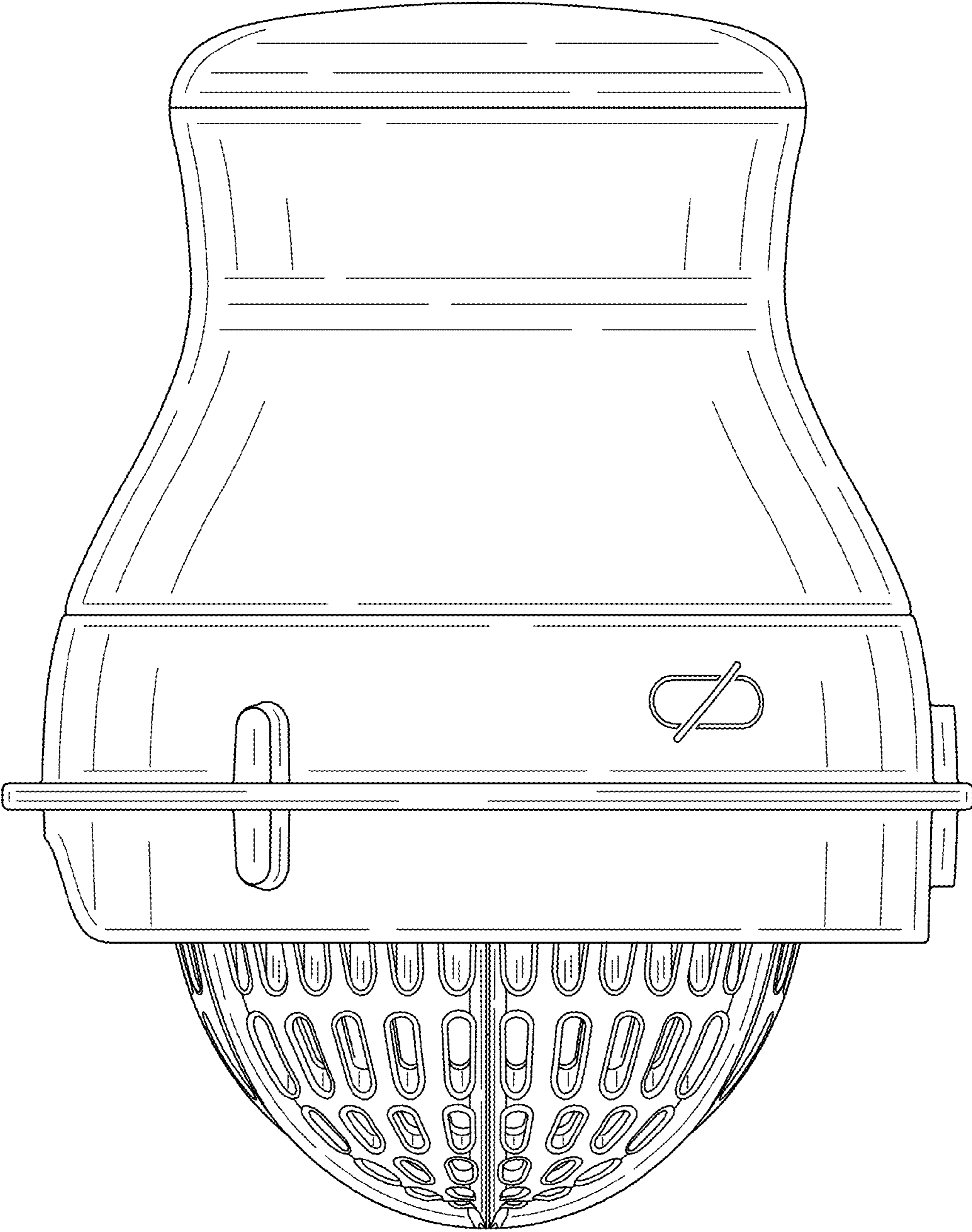


FIG. 7

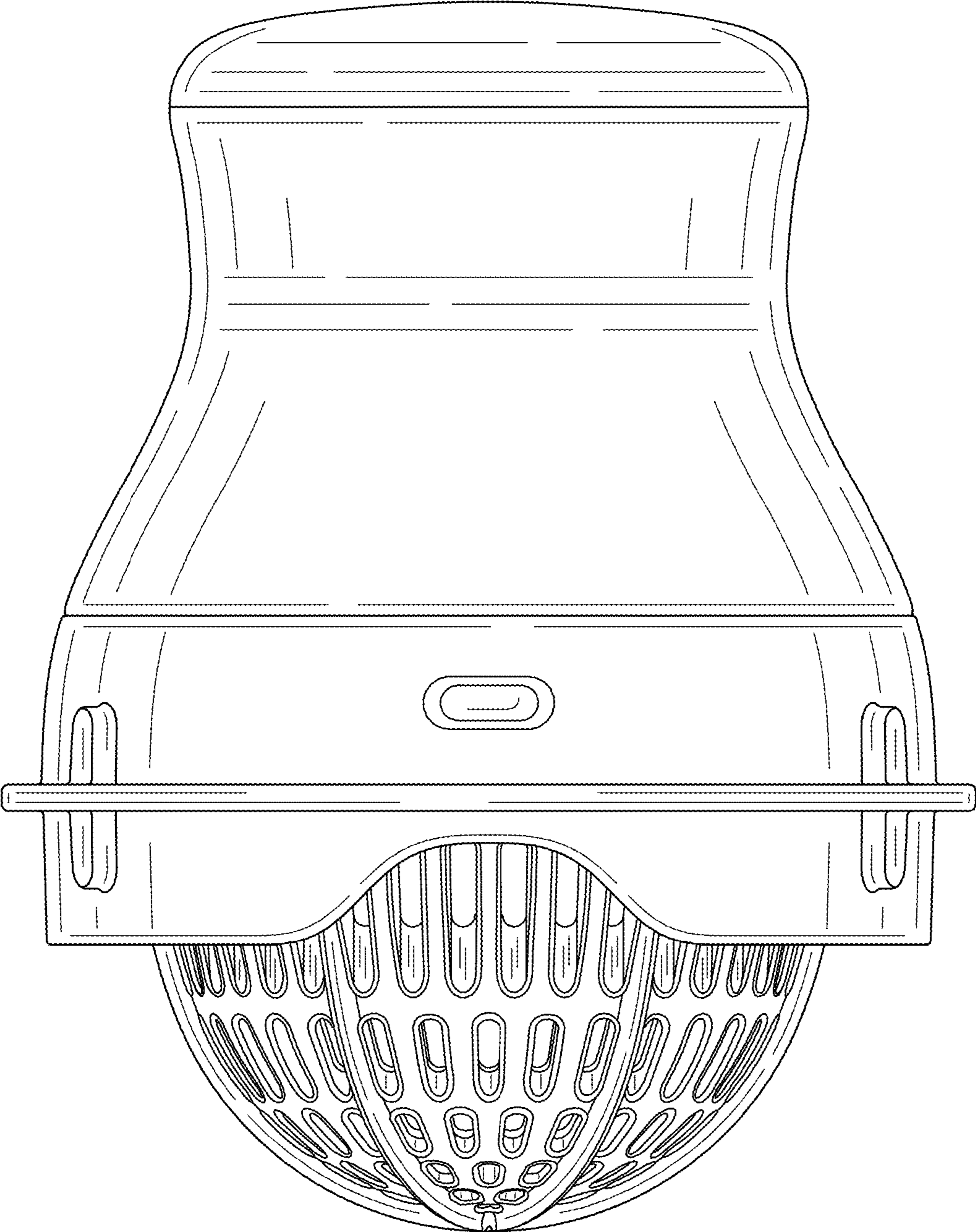


FIG. 8

