



US00D770862S

(12) **United States Design Patent**
Subotic

(10) **Patent No.:** **US D770,862 S**

(45) **Date of Patent:** **** Nov. 8, 2016**

(54) **CAKE CAROUSEL**

(71) Applicant: **Predrag Subotic**, Jamaica, NY (US)

(72) Inventor: **Predrag Subotic**, Jamaica, NY (US)

(**) Term: **14 Years**

(21) Appl. No.: **29/509,029**

(22) Filed: **Nov. 13, 2014**

(51) **LOC (10) Cl.** **07-07**

(52) **U.S. Cl.**
USPC **D7/610**

(58) **Field of Classification Search**

USPC D7/610, 500, 505, 543, 544, 545, 546,
D7/547, 548, 549, 550.1, 551.1, 601, 602,
D7/605, 606, 607, 608, 609, 613, 614, 615,
D7/701, 702, 703, 704, 705, 706, 707, 708,
D7/709, 710, 628, 630, 501, 554.4, 558,
D7/586, 631, 632, 634; 220/780, 787,
220/212.5; 206/551, 906; 211/131, 128
CPC .. A47G 21/001; A47G 21/00; A47G 21/007;
A47G 21/14; A47G 21/16; A47G 21/145;
A47G 23/00; A47G 23/02; A47G 23/0208;
A47G 23/02841; A47G 23/0258; A47G
23/0266; A47G 23/03; A47G 23/04; A47G
23/0313; A47G 23/0316; A47G 2023/0275;
A47G 23/06; A47G 23/0616; A47G 23/0625;
A47G 23/0641; A47G 23/065; A47G
23/0683; A47G 23/0691; A47G 23/08;
A47G 29/00; A47G 19/00; A47B 57/00
See application file for complete search history.

(56) **References Cited**

U.S. PATENT DOCUMENTS

2,470,749 A * 5/1949 Emerson A47F 5/02
108/105
3,690,902 A * 9/1972 Dahl B65D 85/36
206/519

3,861,433 A * 1/1975 Schier B65D 43/0222
220/782
4,170,302 A * 10/1979 Baca A47J 47/145
206/545
D254,428 S * 3/1980 Lasowski D11/157
4,197,940 A * 4/1980 DeRossett A47G 19/26
220/780
4,206,845 A * 6/1980 Christian A47G 19/26
206/508
D257,607 S * 12/1980 Smith D7/542
4,359,159 A * 11/1982 Pollard B65D 85/36
206/551

(Continued)

Primary Examiner — Ian Simmons

Assistant Examiner — Shannon Morgan

(74) *Attorney, Agent, or Firm* — Barkume & Associates
P.C.

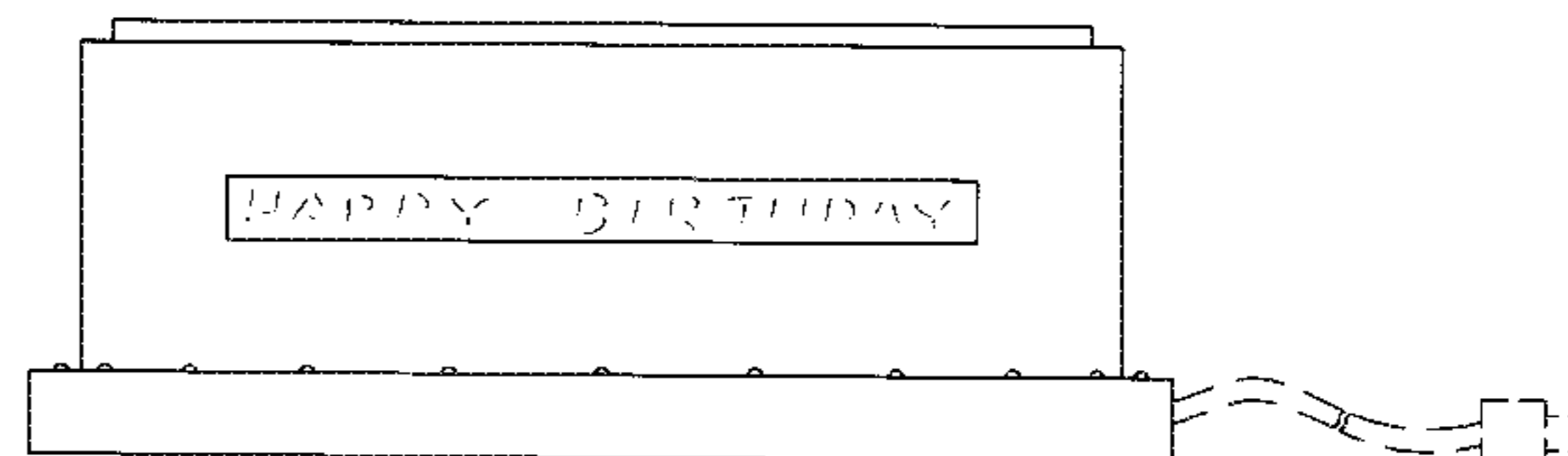
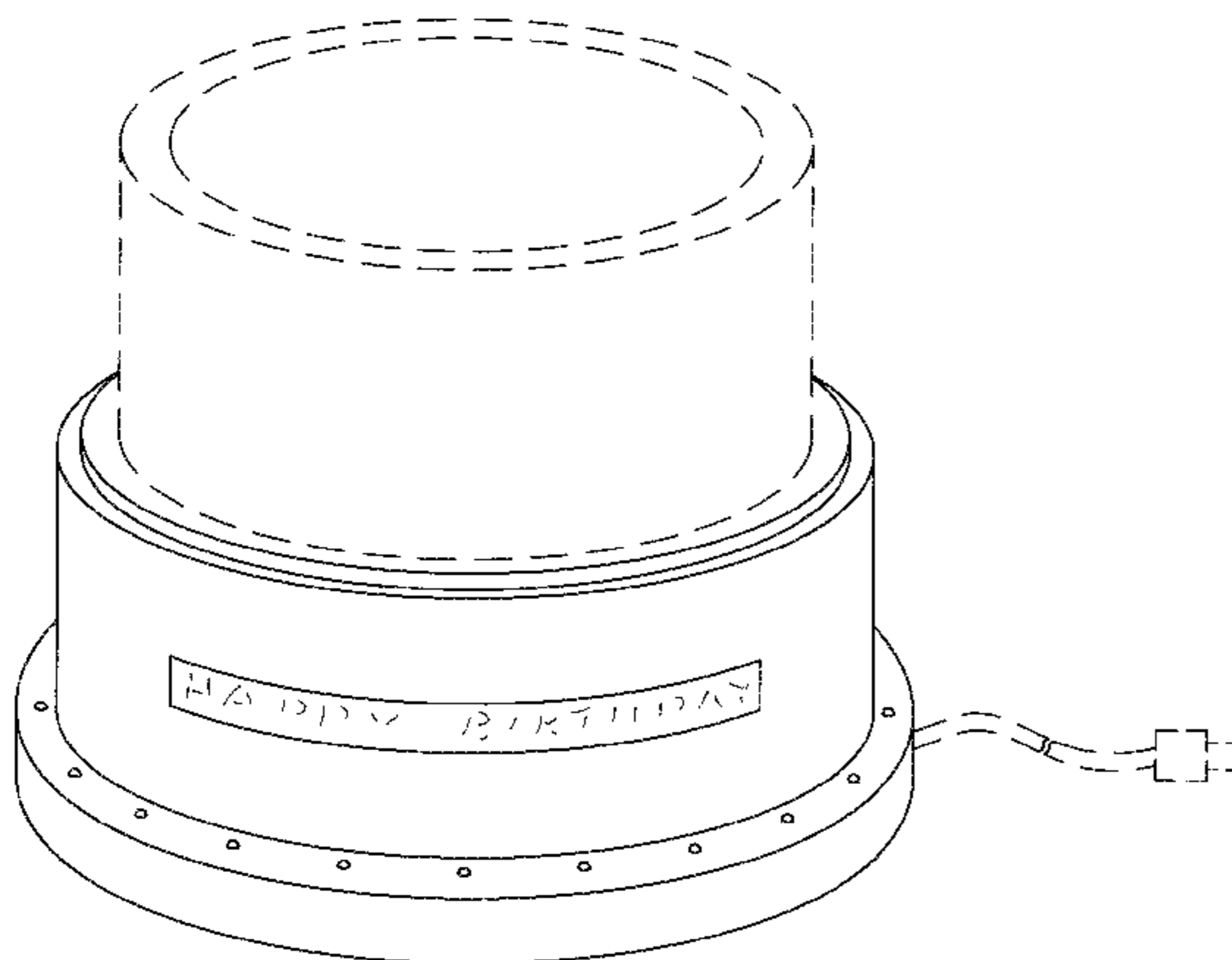
(57) **CLAIM**

The ornamental design for a cake carousel, as shown and described.

DESCRIPTION

FIG. 1 is a perspective view of a cake carousel showing my new design;
FIG. 2 is another perspective view thereof;
FIG. 3 is a top plan view thereof;
FIG. 4 is a front view thereof;
FIG. 5 is a left view thereof, the opposite view being a mirror image thereof;
FIG. 6 is a rear view thereof; and,
FIG. 7 is a bottom plan view thereof.
The broken lines in the figures showing of a cake, cord, and lettering are for the purpose of illustrating environment, and form no part of the claimed design. The long dashed/short dashed lines of the cake carousel in FIG. 7 and the area within form no part of the claimed design.

1 Claim, 4 Drawing Sheets



(56)

References Cited

U.S. PATENT DOCUMENTS

D270,322 S *	8/1983	Daenen	D7/610	5,878,671 A *	3/1999	Kehl	A47F 5/025 108/22
D281,049 S *	10/1985	Rau	D11/184	D473,756 S *	4/2003	Cautereels	D7/501
4,549,714 A *	10/1985	Busch	A47G 23/08 248/131	D512,282 S *	12/2005	Martin	D7/600.4
4,600,253 A *	7/1986	Pongsengsook	A47G 19/30 206/506	D560,974 S *	2/2008	Goode	D7/500
4,705,163 A *	11/1987	James	A47G 19/26 206/467	D614,002 S *	4/2010	Heap	D7/610
D362,787 S *	10/1995	Burke	D7/501	D658,011 S *	4/2012	Goode	D7/610
5,736,659 A *	4/1998	Kyle, Jr.	A47G 19/025 446/265	D661,953 S *	6/2012	Harshman	D7/558
D394,005 S *	5/1998	Marijnissen	D9/416	D664,010 S *	7/2012	Goode	D7/610
					D668,917 S *	10/2012	Berzak	D7/631
					D676,294 S *	2/2013	Tu	D32/58
					D710,157 S *	8/2014	Goodman	D7/610
					2004/0037078 A1 *	2/2004	Lee	A47G 23/06 362/249.01

* cited by examiner

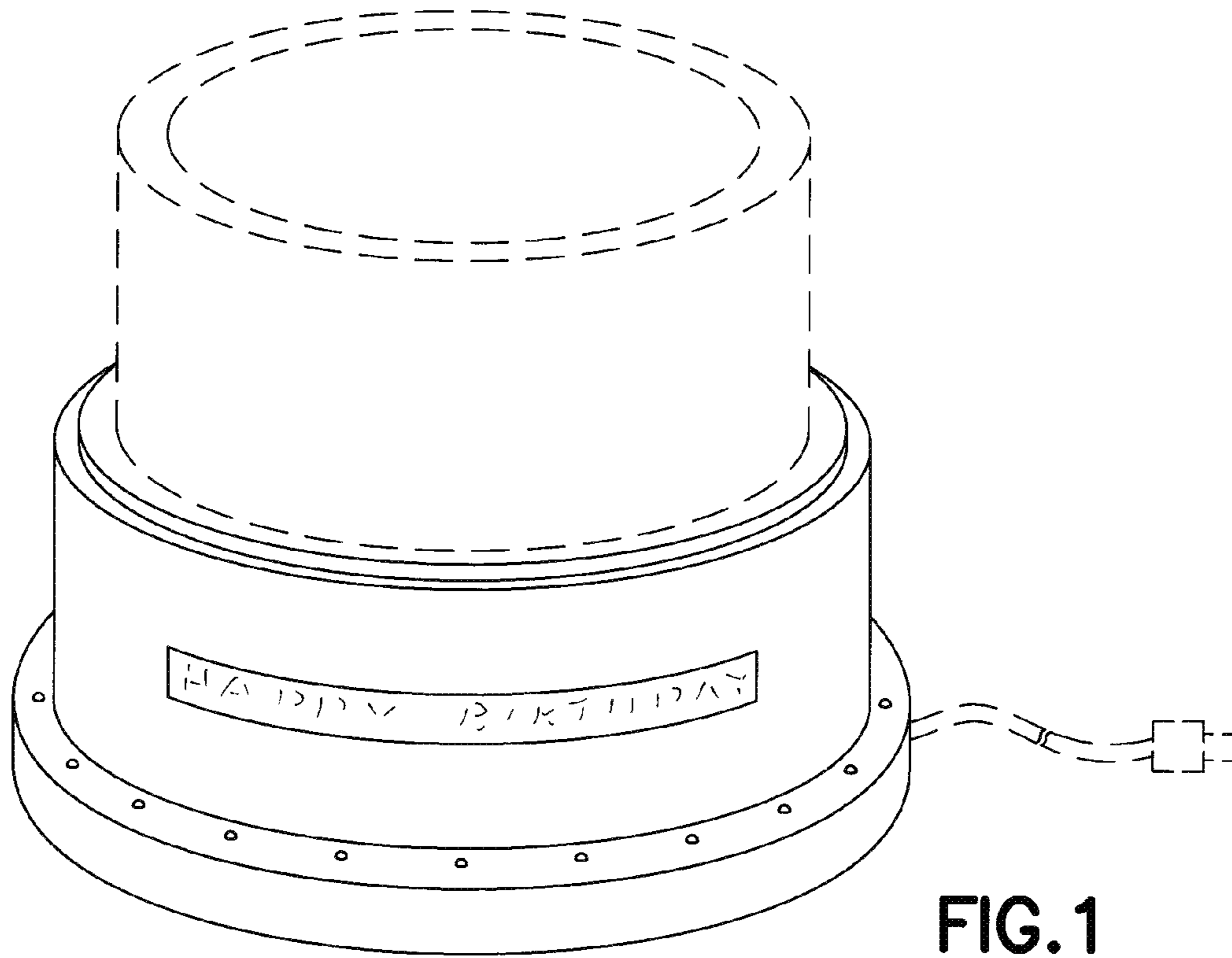


FIG. 1

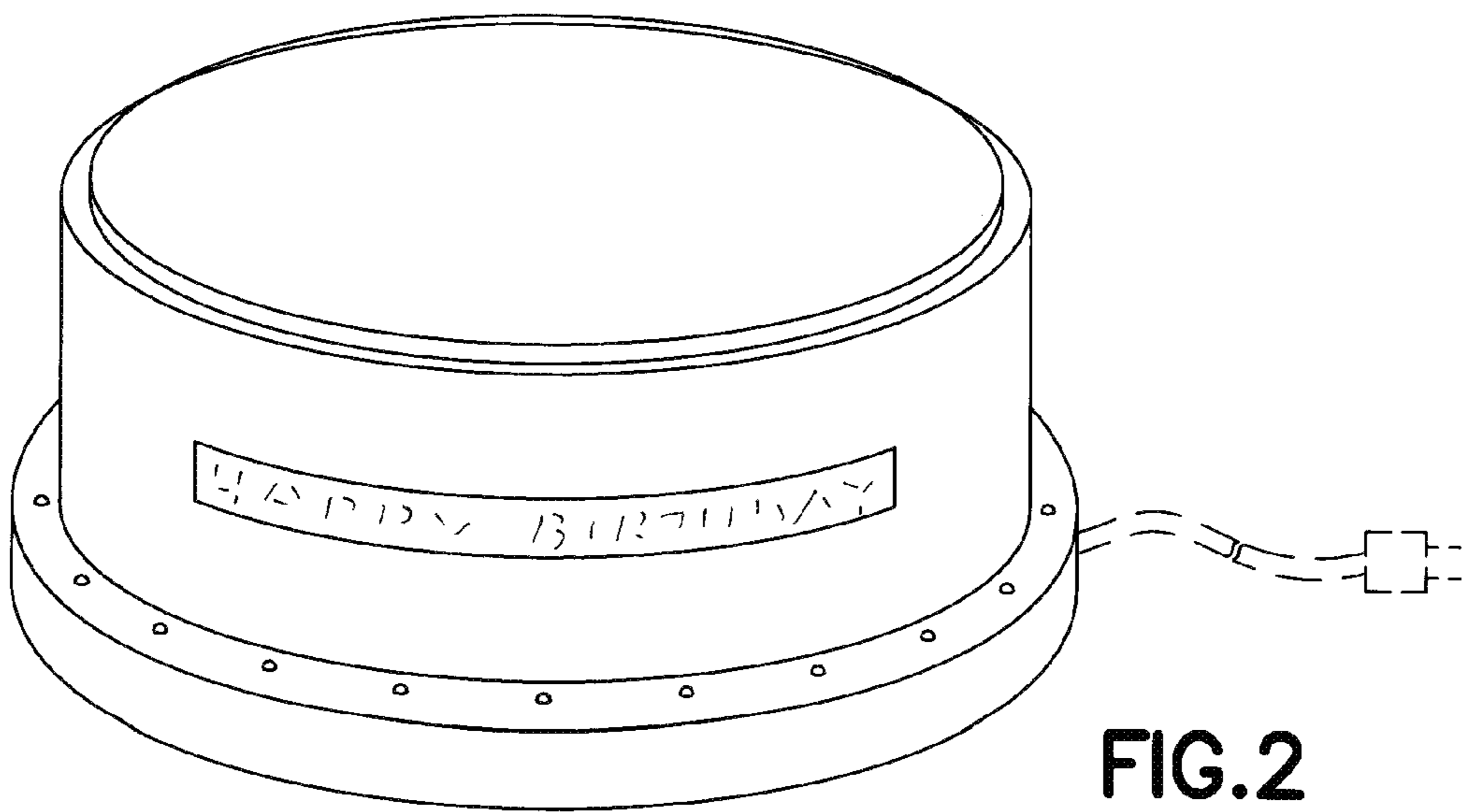


FIG. 2

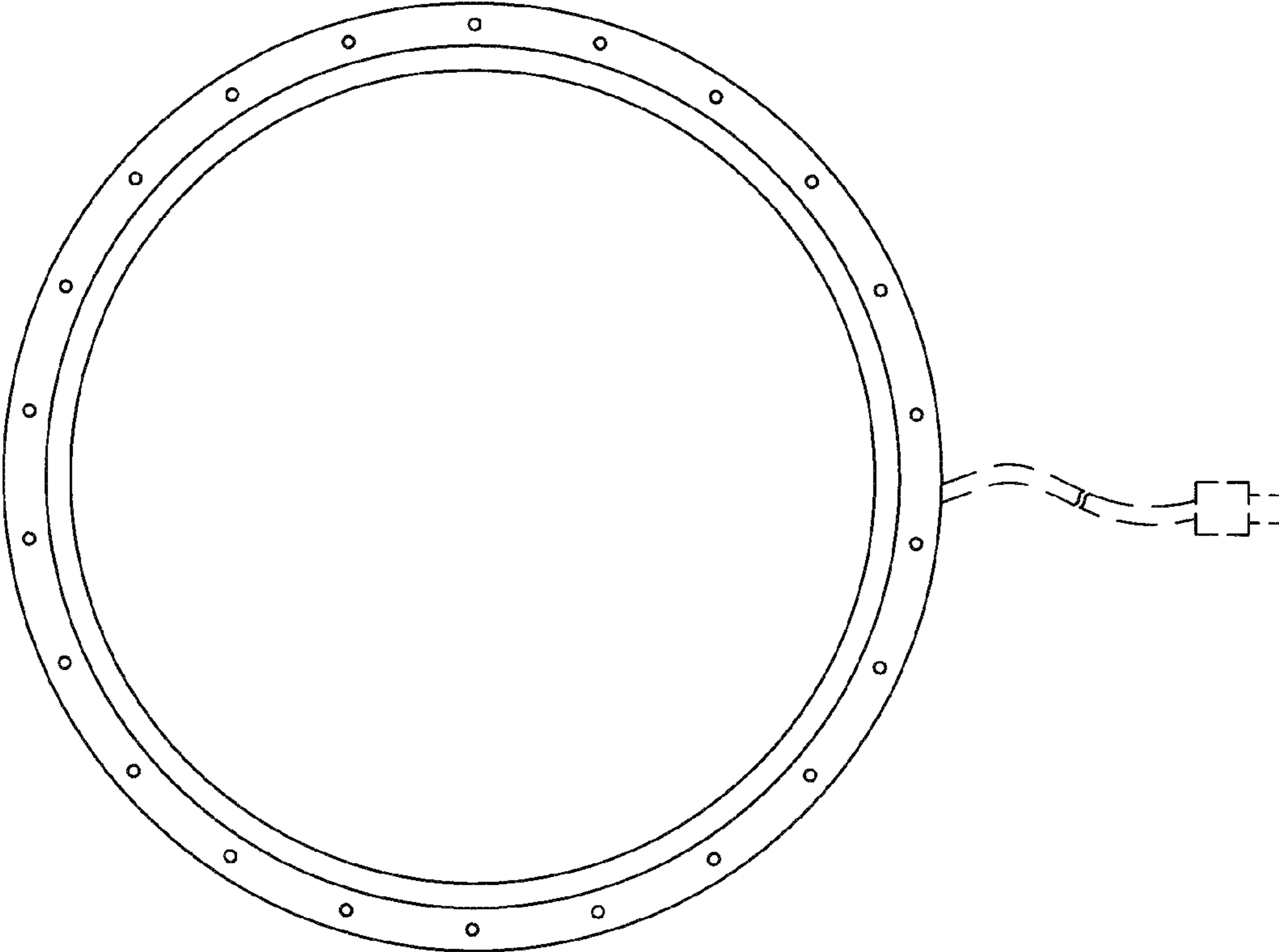


FIG.3

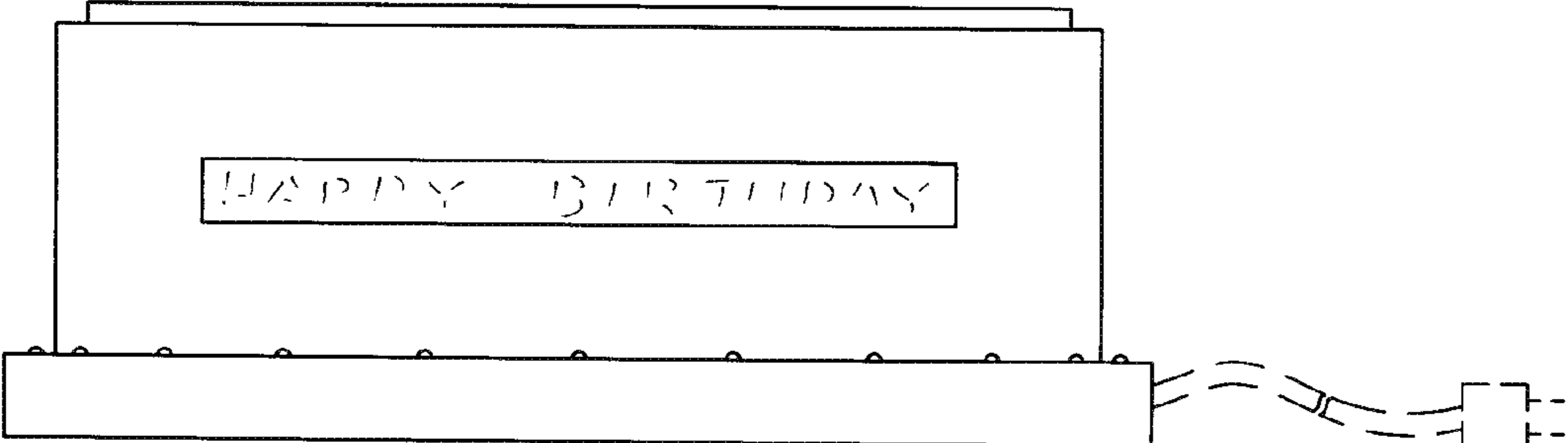


FIG.4

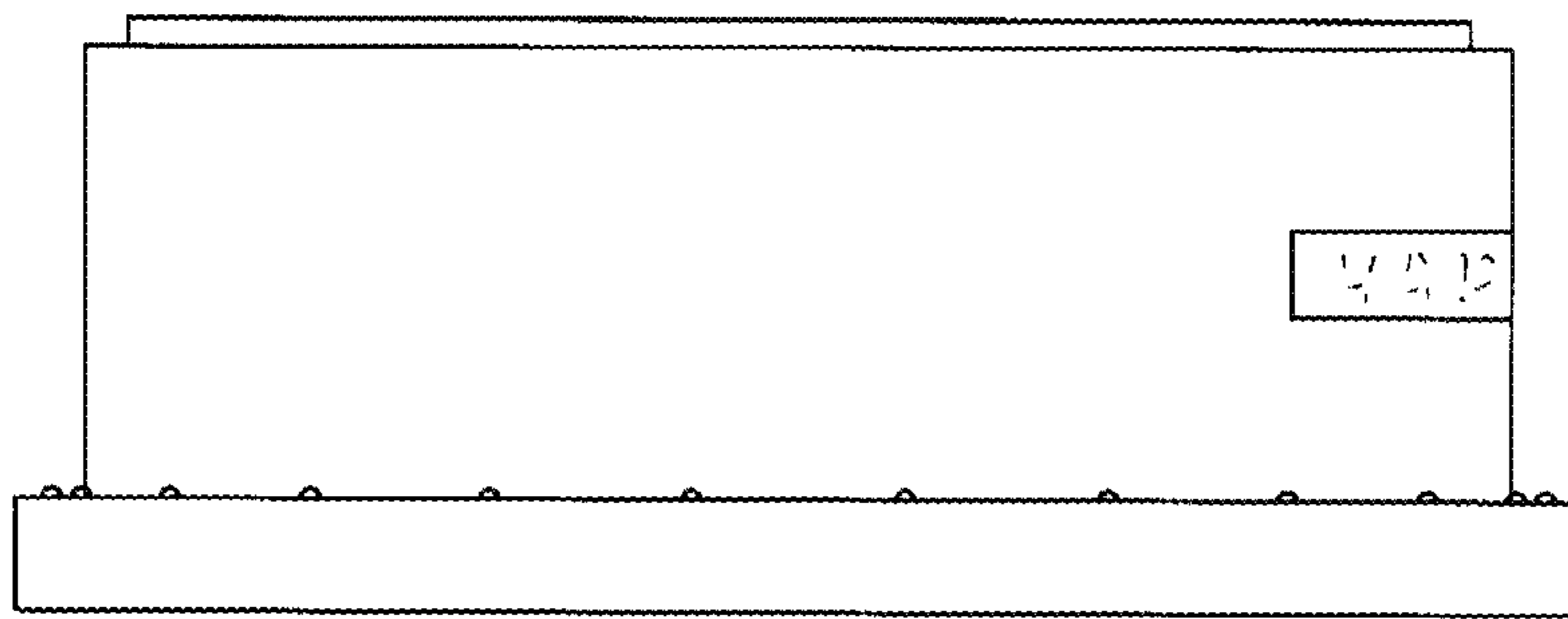


FIG. 5

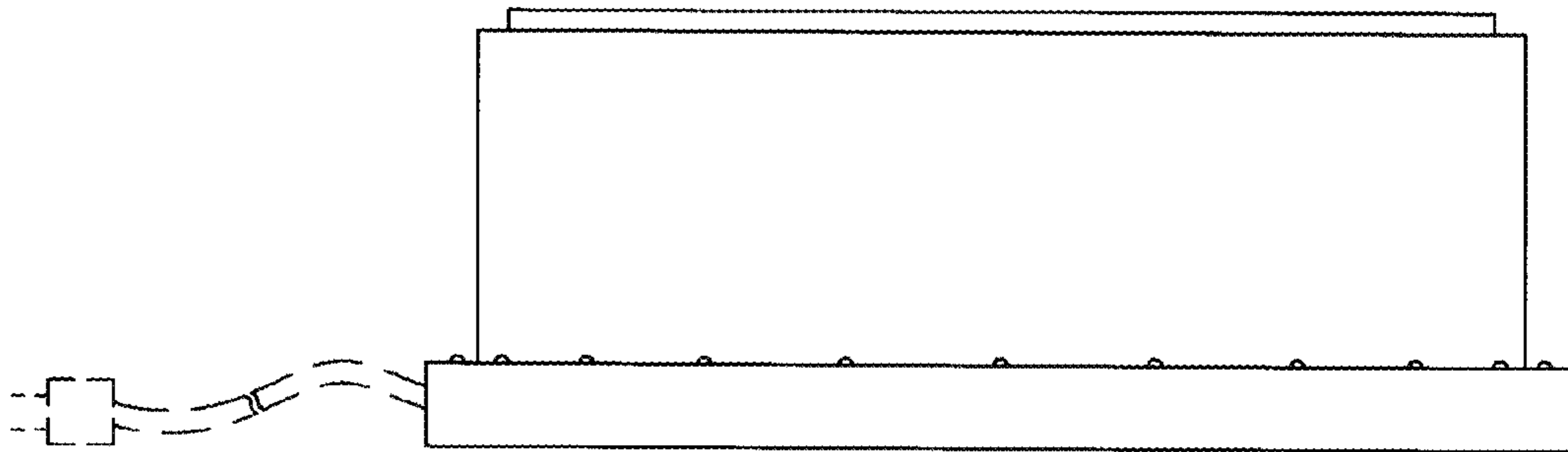


FIG. 6

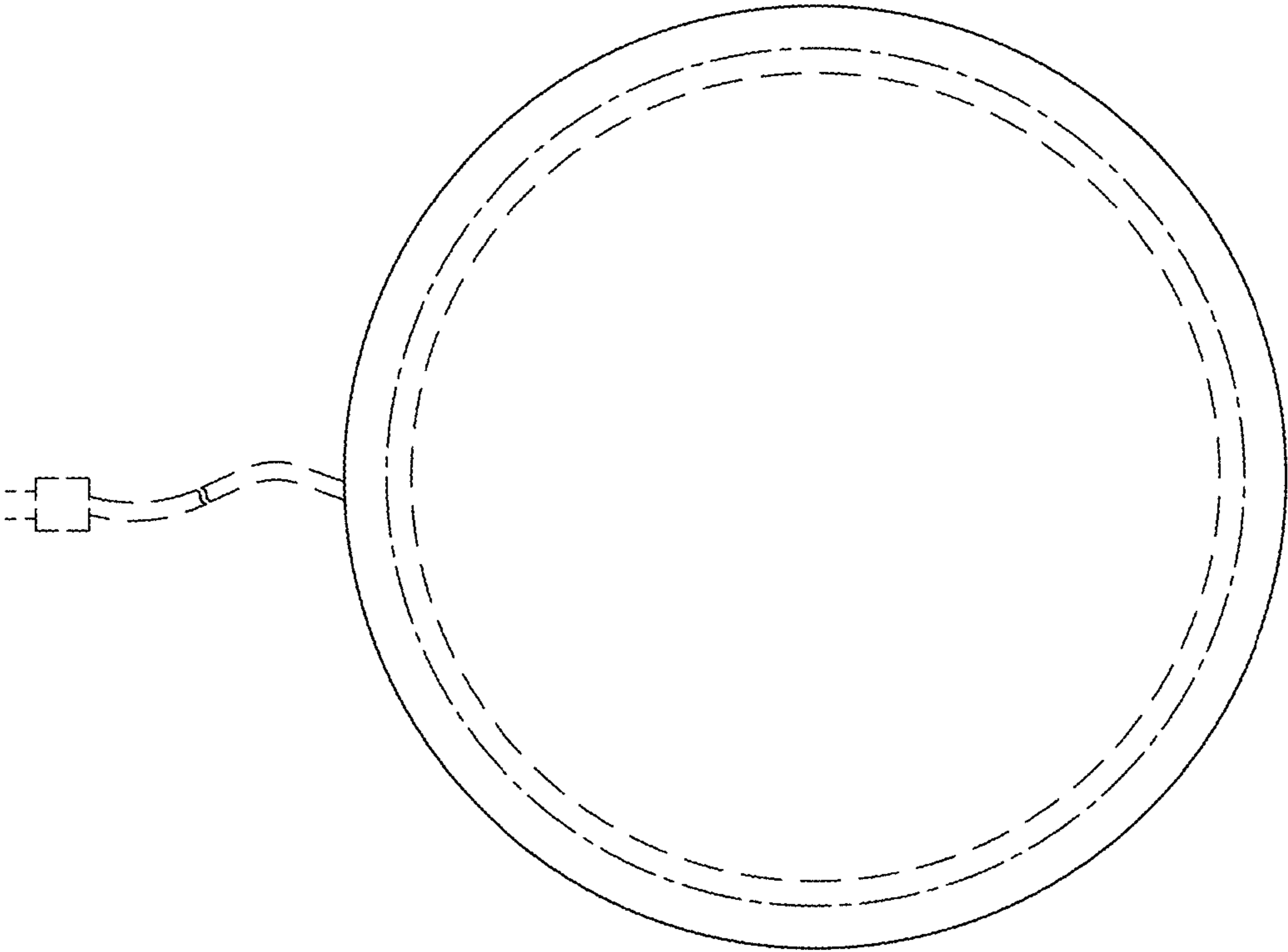


FIG.7