



US00D770860S

(12) **United States Design Patent**  
**Wampold**

(10) **Patent No.:** **US D770,860 S**

(45) **Date of Patent:** **\*\* Nov. 8, 2016**

(54) **BEVERAGE COOLER**

(71) Applicant: **BIGMOUTH, INC.**, Glastonbury, CT  
(US)

(72) Inventor: **Stephen Wampold**, Glastonbury, CT  
(US)

(73) Assignee: **BIGMOUTH, INC.**, Glastonbury, CT  
(US)

(\*\*) Term: **14 Years**

(21) Appl. No.: **29/524,305**

(22) Filed: **Apr. 20, 2015**

(51) **LOC (10) Cl.** ..... **07-01**

(52) **U.S. Cl.**  
USPC ..... **D7/608**

(58) **Field of Classification Search**  
USPC ..... D7/523, 532, 603-608, 615, 619.1,  
D7/624.2, 625; D9/500, 521, 544, 560,  
D9/571; D23/366; D26/22  
CPC ..... F25D 3/08; B65D 25/30; B65D 7/24;  
B65D 81/3876; B65D 81/3879; B65D  
23/104; B65D 81/38; B65D 81/3886; B65D  
81/3883; B65D 81/3881; A45C 11/20;  
A47G 23/0216; A47G 19/2288; A45F  
2200/0583; A61F 7/10; B31D 5/0086  
See application file for complete search history.

(56) **References Cited**

**U.S. PATENT DOCUMENTS**

D43,239 S \* 11/1912 Tuttle ..... D9/519  
4,320,856 A \* 3/1982 Stewart ..... B67D 1/0425  
220/592.25

D404,974 S \* 2/1999 Kristinik ..... D7/608  
D442,833 S \* 5/2001 Shuman ..... D7/608  
D460,693 S \* 7/2002 Flowers ..... D9/519  
6,574,883 B2 \* 6/2003 Giblin ..... D06F 58/203  
222/129  
D505,050 S \* 5/2005 Johnson ..... D7/604  
D562,685 S \* 2/2008 Millspaw ..... D9/500  
D620,764 S \* 8/2010 Lessells ..... D7/605  
D632,138 S \* 2/2011 Carter ..... D7/606  
D675,066 S \* 1/2013 Conlin ..... D7/608  
D698,910 S \* 2/2014 Lin ..... D23/366  
D729,370 S \* 5/2015 Chou ..... D23/366  
D732,653 S \* 6/2015 Hsiao ..... D23/366

\* cited by examiner

*Primary Examiner* — Freda S Nunn

(74) *Attorney, Agent, or Firm* — Epstein Drangel LLP;  
Robert L. Epstein

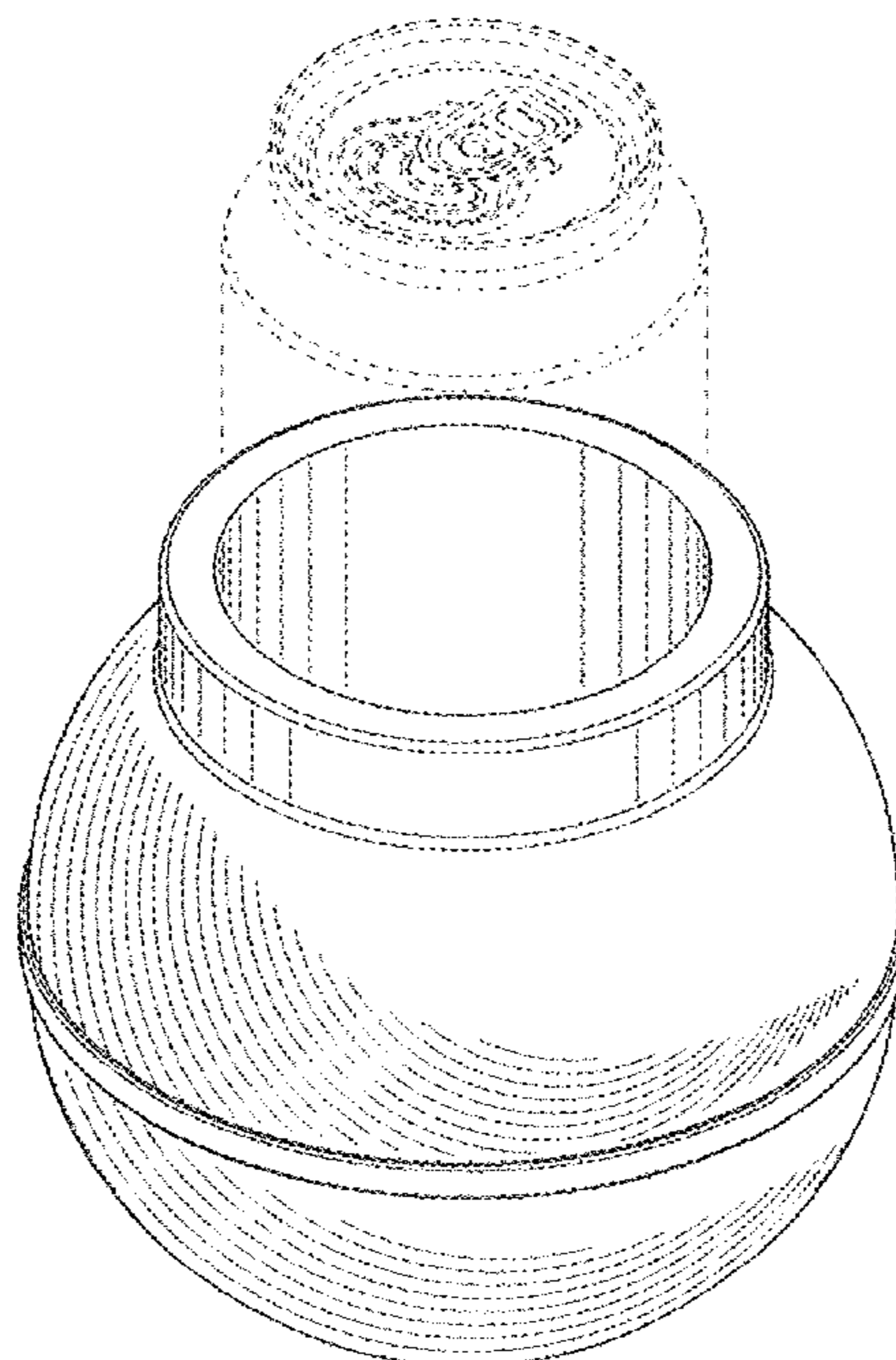
(57) **CLAIM**

The ornamental design for a beverage cooler, as shown and described.

**DESCRIPTION**

FIG. 1 is an isometric view of the beverage cooler viewed from above and shown in a state of use;  
FIG. 2 is an isometric view thereof shown from the bottom;  
FIG. 3 is an elevation view of my design as it would appear as viewed from any side;  
FIG. 4 is a top plan view thereof; and,  
FIG. 5 is a bottom plan view thereof.  
The broken lines are used to show environment only and form no part of the claimed design.

**1 Claim, 3 Drawing Sheets**



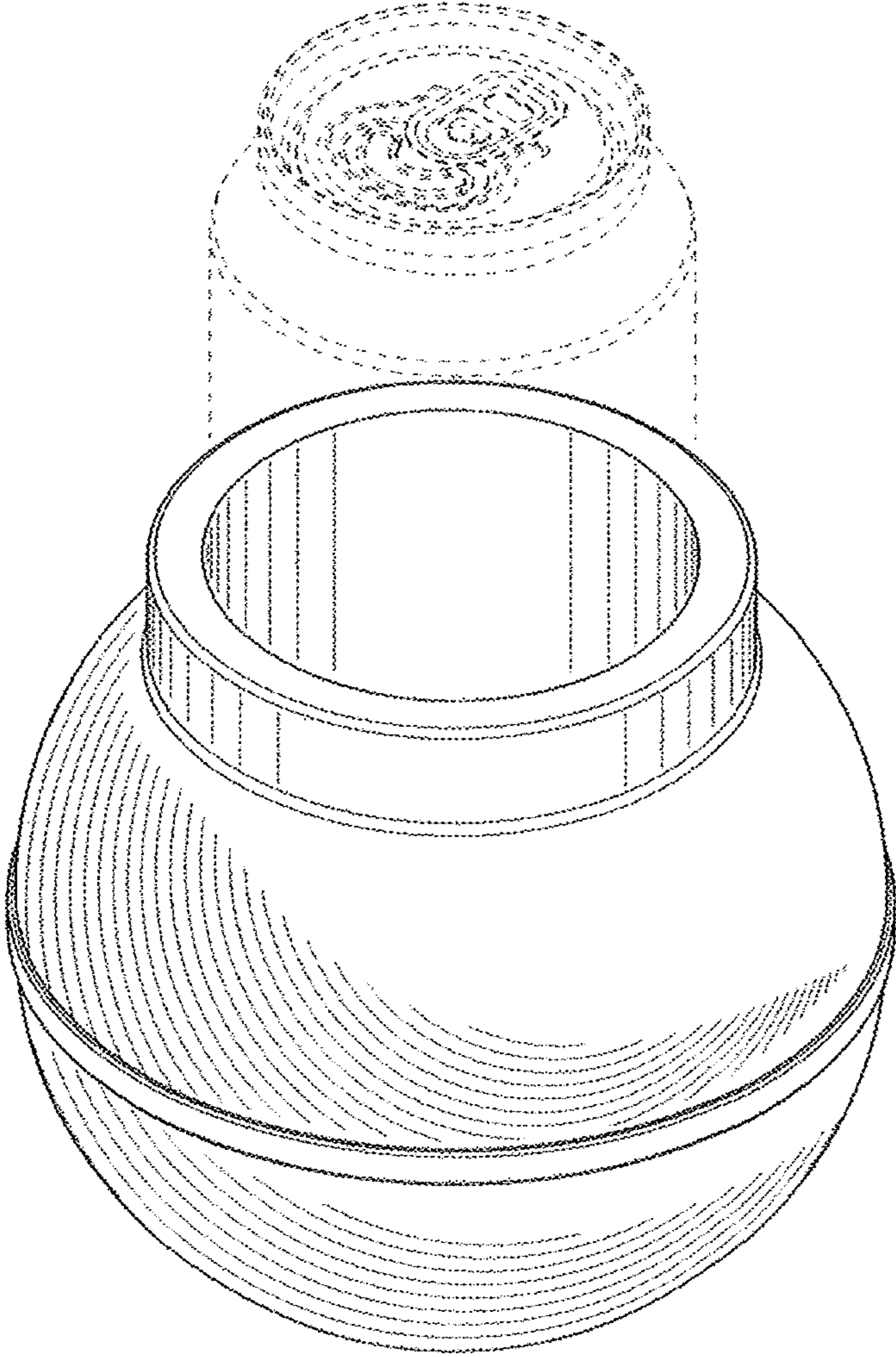


FIG. 1



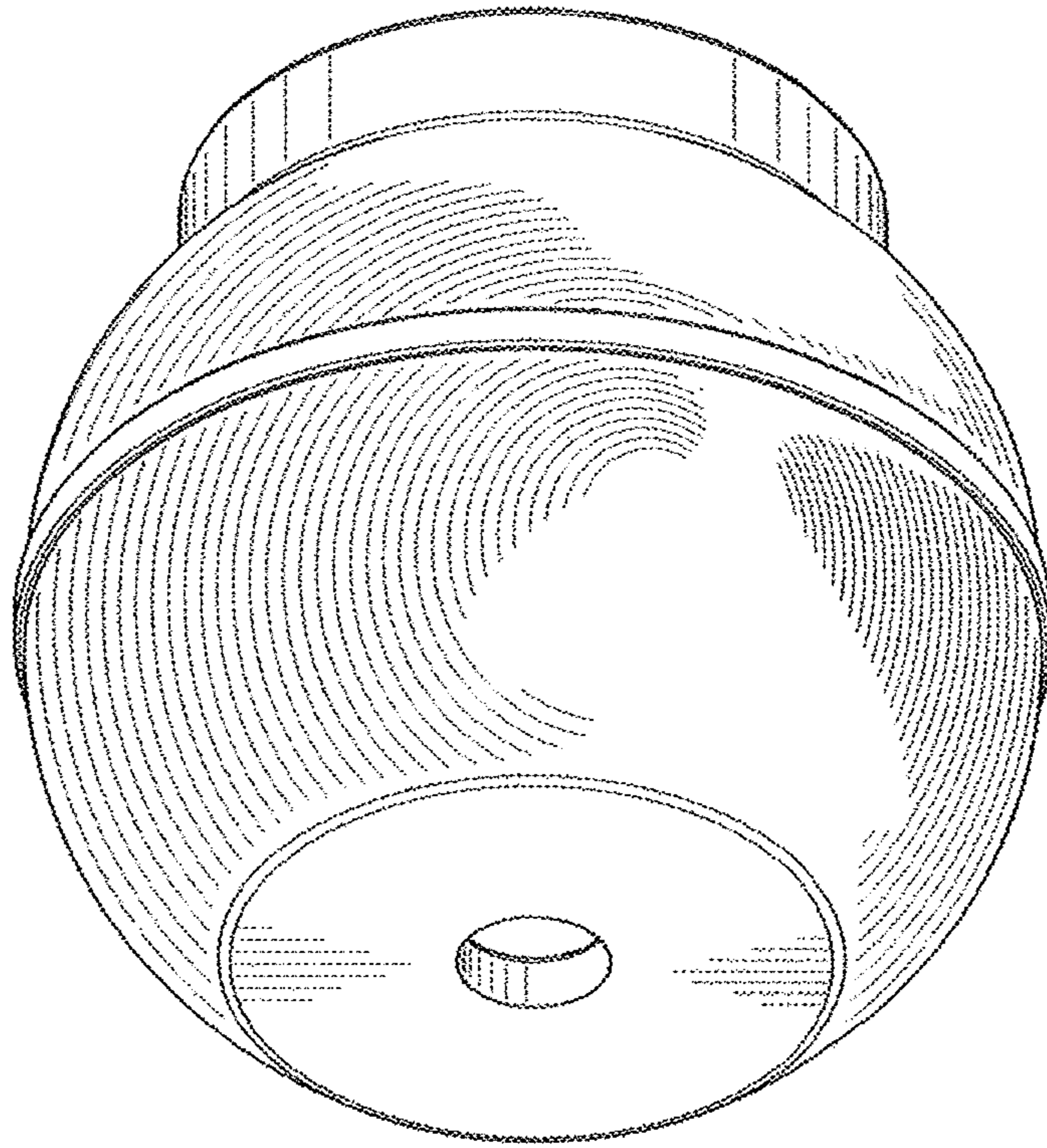


FIG. 2

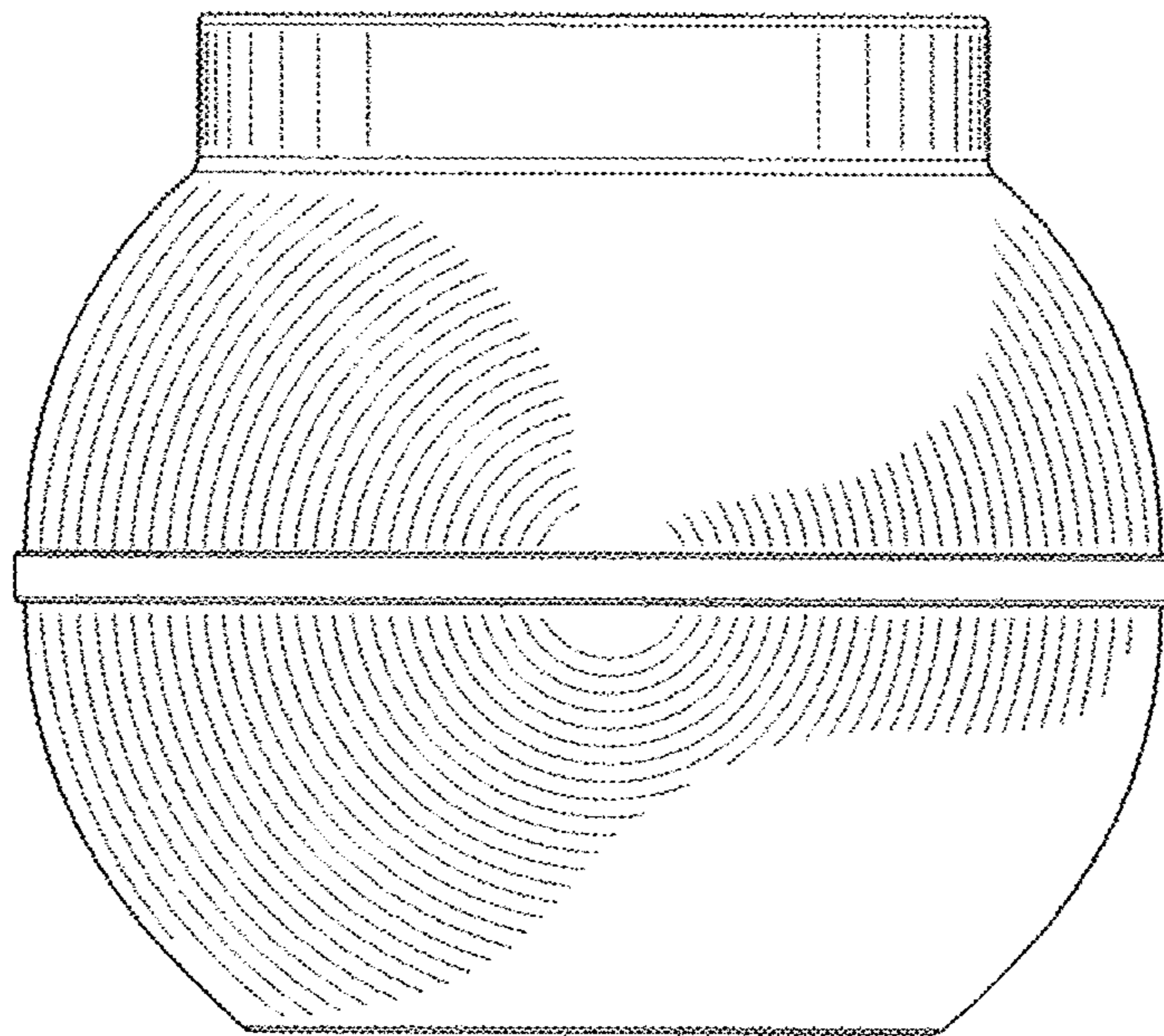


FIG. 3

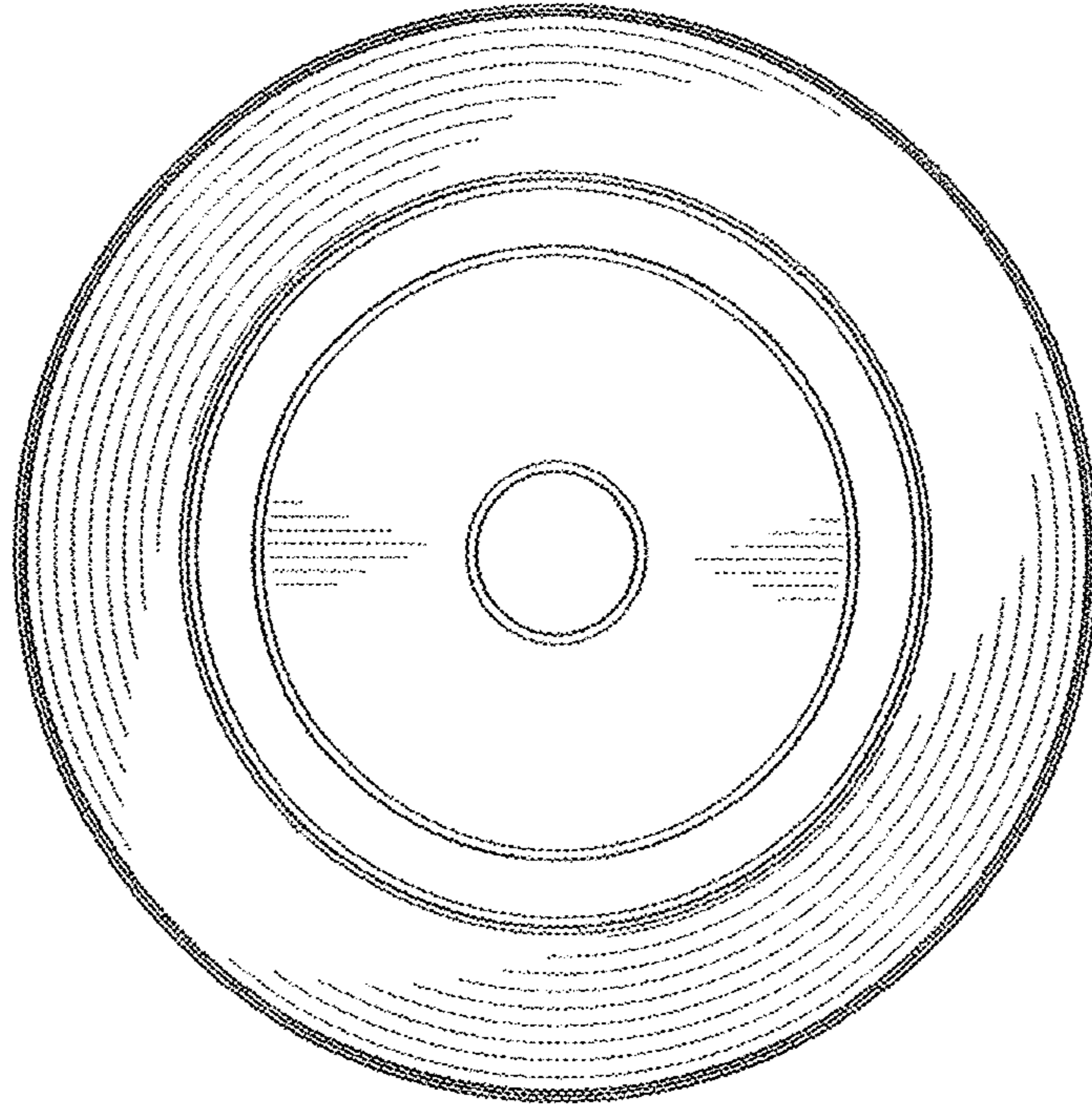


FIG. 4

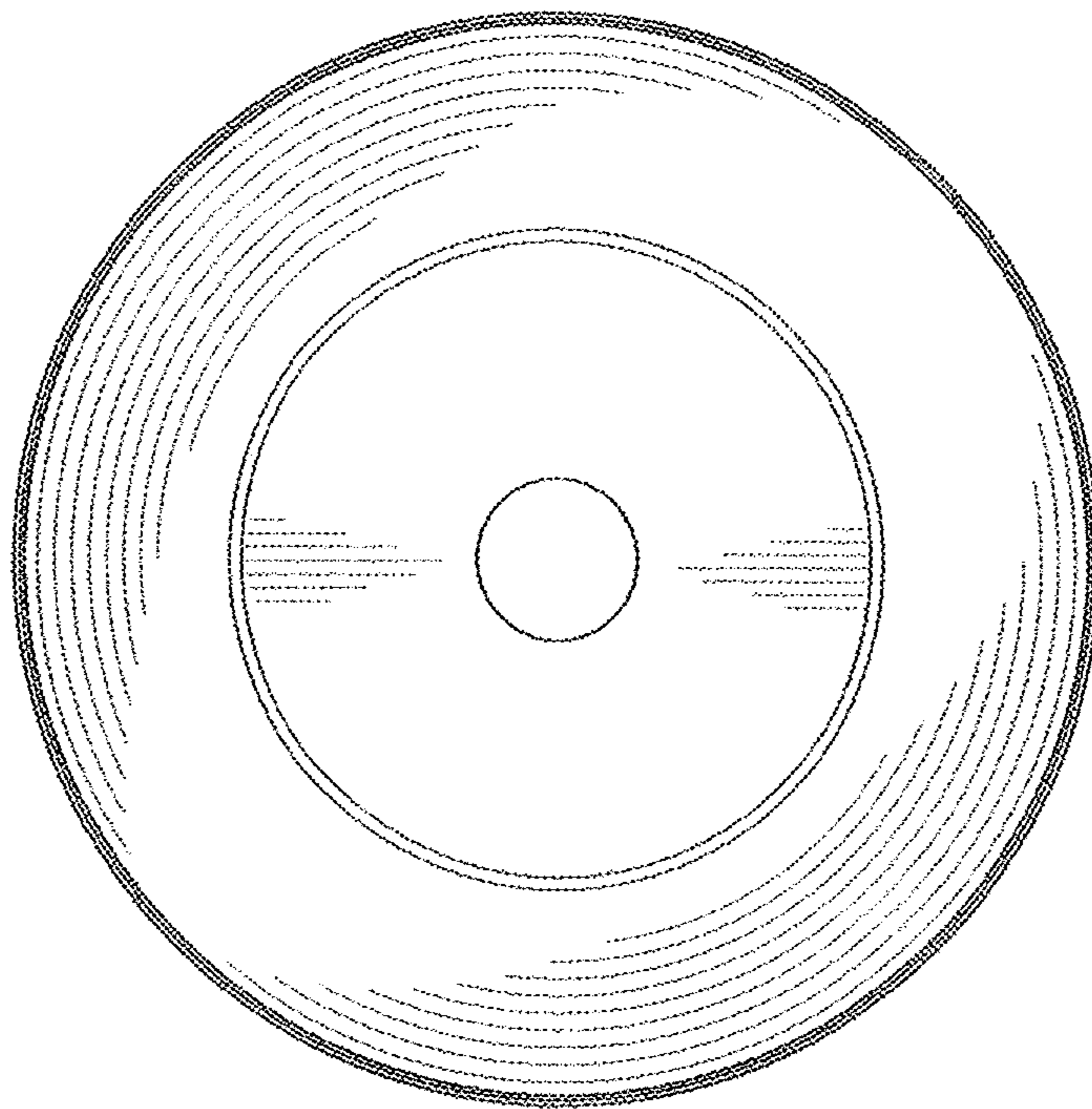


FIG. 5