



US00D770859S

(12) **United States Design Patent** (10) **Patent No.:** **US D770,859 S**
Petre (45) **Date of Patent:** **** Nov. 8, 2016**

(54) **PORTABLE COOLER WRAP**
(71) Applicant: **Outdoor Recreation Company of America, LLC**, Nashville, TN (US)
(72) Inventor: **Stephen J. Petre**, Maryville, TN (US)
(73) Assignee: **Outdoor Recreation Company of America, LLC**, Nashville, TN (US)
(**) Term: **14 Years**
(21) Appl. No.: **29/523,377**
(22) Filed: **Apr. 9, 2015**
(51) **LOC (10) Cl.** **07-01**
(52) **U.S. Cl.**
USPC **D7/605**
(58) **Field of Classification Search**
USPC D7/602, 605-608, 624.2, 387-389;
D3/269, 271.4, 272-277
CPC F25D 3/08; B65D 25/30; B65D 7/24;
B65D 81/3876; B65D 81/3879; B65D
23/104; B65D 81/38; B65D 81/3886; B65D
81/3883; B65D 81/3881; B65D 81/00;
B65D 65/22; B65D 5/04; B65D 81/3897;
A45C 11/20; A45C 13/08; A47G 23/0216;
A47G 19/2288; A45F 2200/0583; A61F 7/10;
B31D 5/0086
See application file for complete search history.

6,276,164 B1 * 8/2001 Santa Cruz B65D 81/3886
62/372
D521,810 S * 5/2006 Estes D7/605
D560,102 S * 1/2008 Sumter D7/605
D585,704 S * 2/2009 Balmas D7/606
D613,109 S * 4/2010 Sanchez D7/392
8,827,109 B1 * 9/2014 Sheehan A45C 13/08
150/154
2006/0283194 A1 * 12/2006 Flanagan B65D 23/08
62/4
2009/0194172 A1 * 8/2009 Lymn B65D 5/04
137/343
2010/0133326 A1 * 6/2010 Sanchez B65D 81/3876
229/87.03

* cited by examiner

Primary Examiner — Freda S Nunn
(74) *Attorney, Agent, or Firm* — Luedeka Neely Group, P.C.

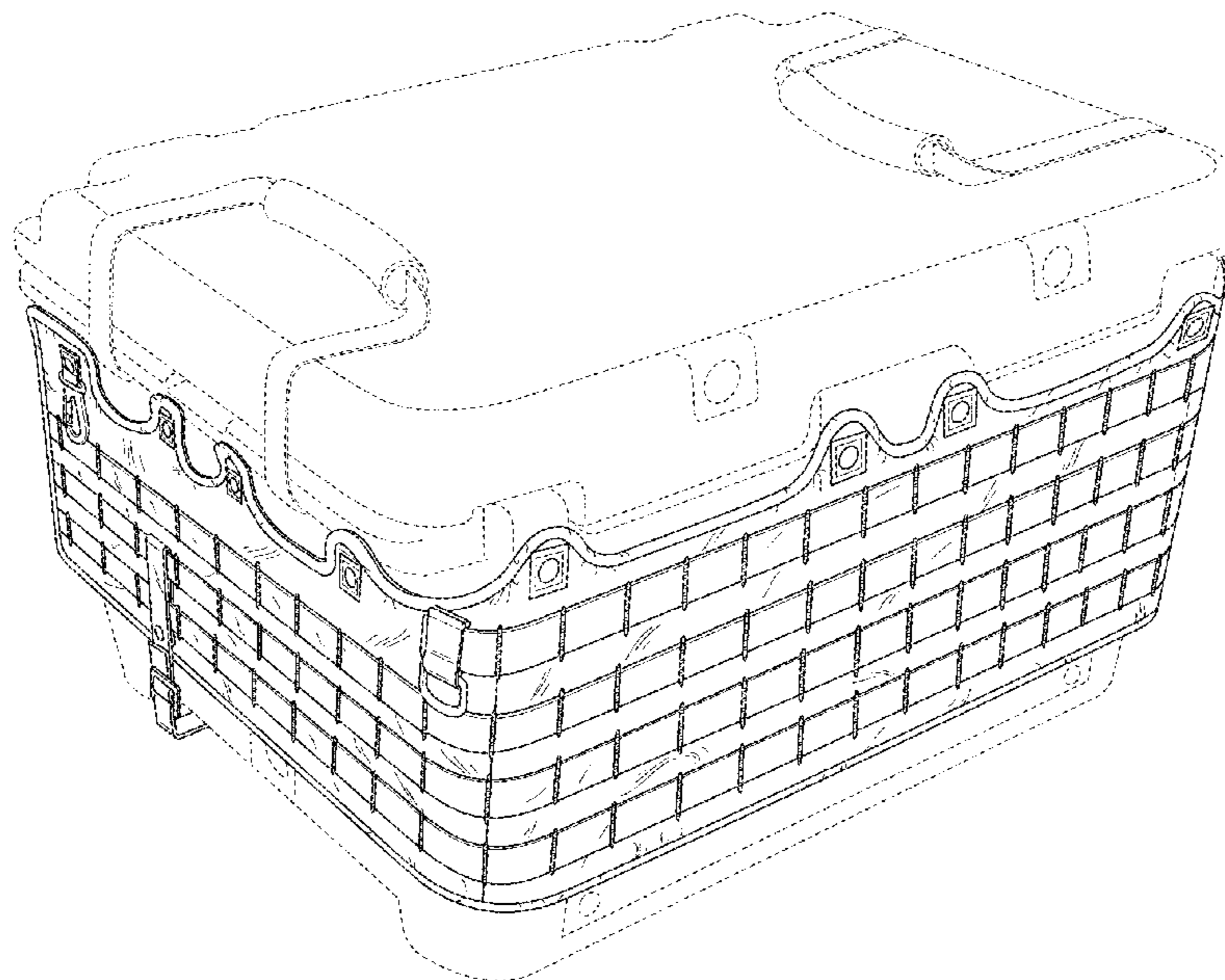
(56) **References Cited**
U.S. PATENT DOCUMENTS
6,027,249 A * 2/2000 Bielinski B65D 81/3897
150/156
6,036,047 A * 3/2000 Dobbie A45C 11/20
150/154

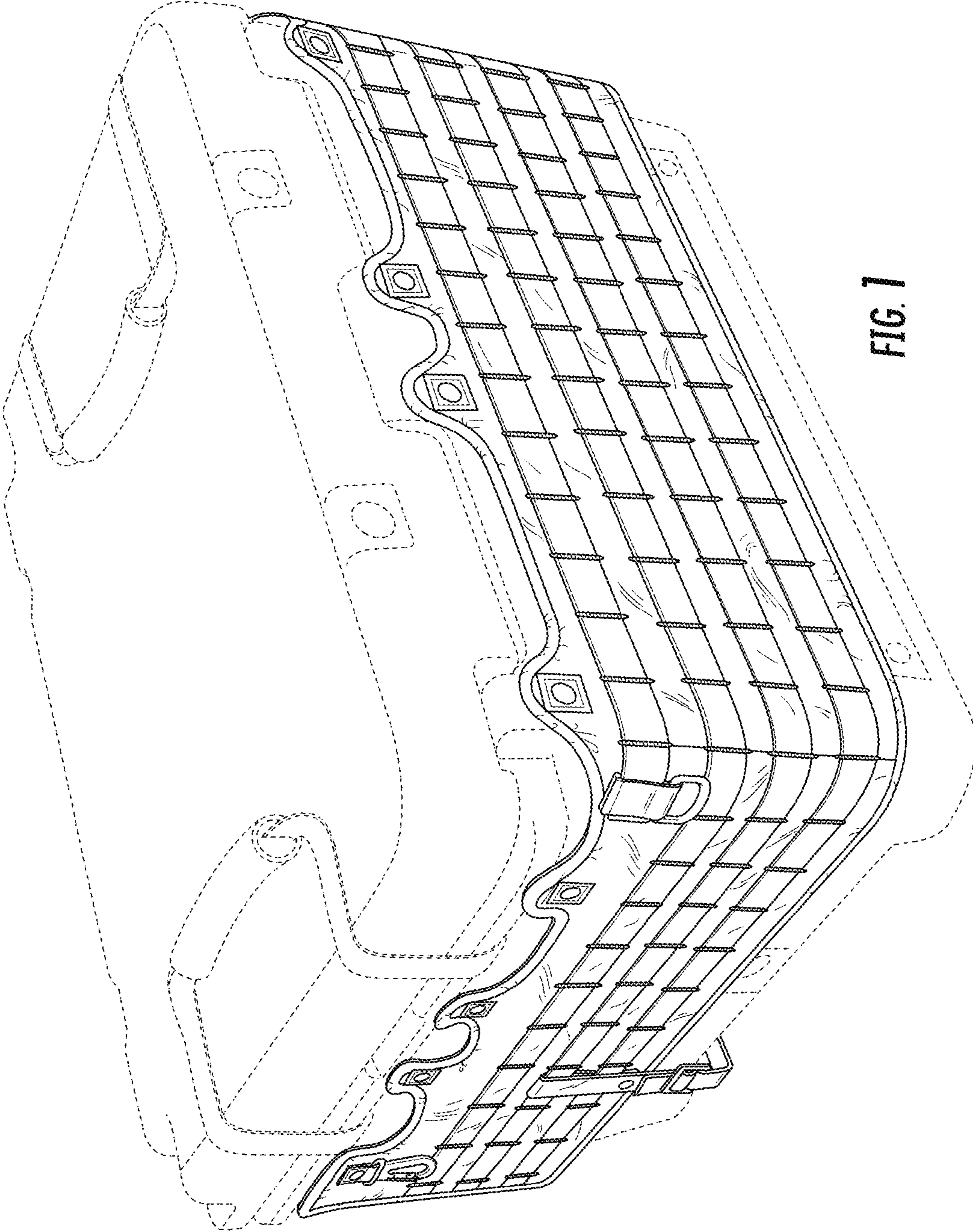
(57) **CLAIM**
The ornamental design of the portable cooler wrap, as shown and described.

DESCRIPTION

FIG. 1 is a perspective view of a portable cooler wrap shown attached to a cooler which is shown in broken lines for environment only and forming no part of the claimed design; FIG. 2 is a rear view thereof; FIG. 3 is a left side view thereof; FIG. 4 is a right side view thereof; FIG. 5 is a front view thereof; FIG. 6 is a bottom view thereof; and, FIG. 7 is a top view thereof.

1 Claim, 7 Drawing Sheets





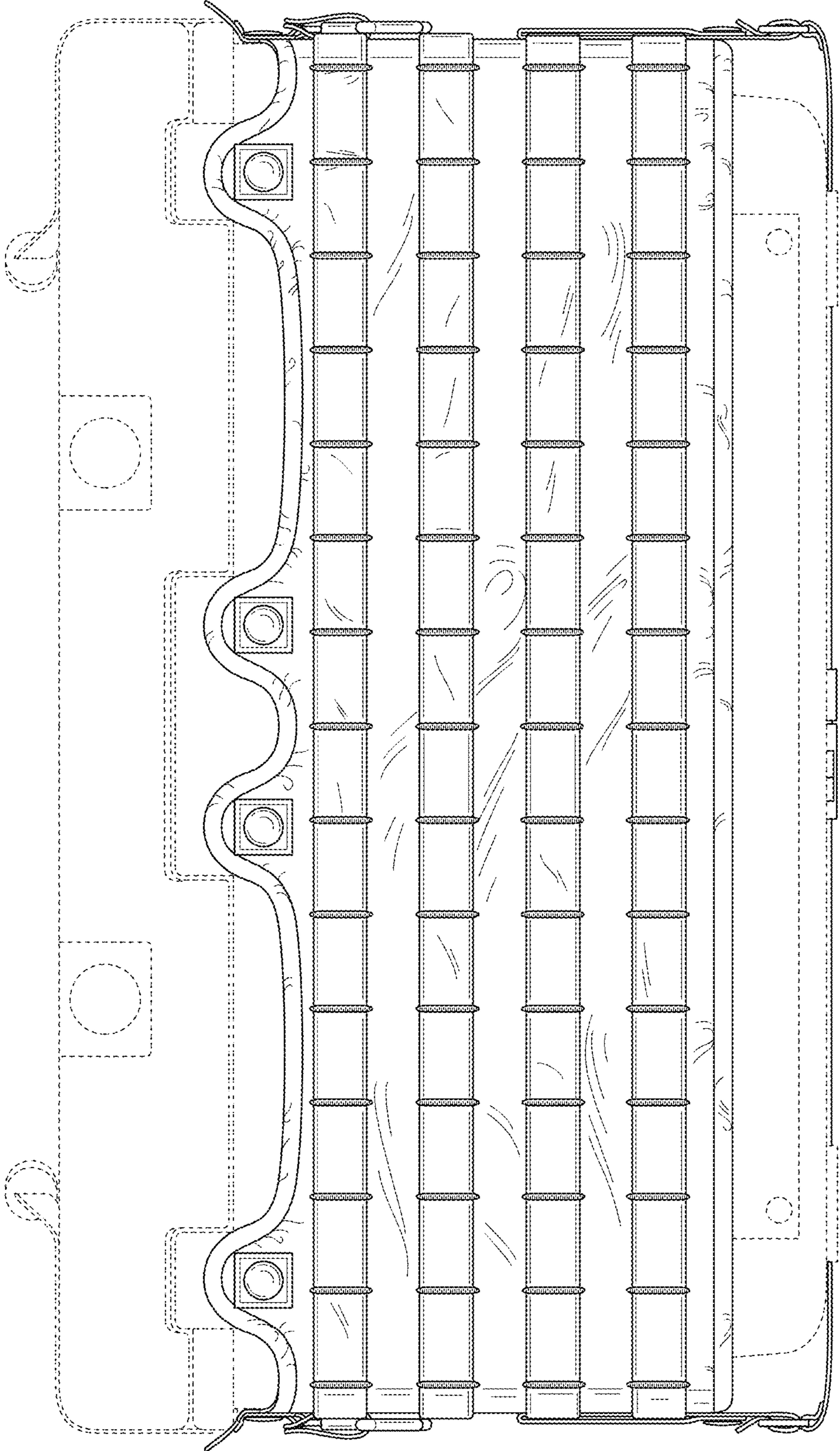


FIG. 2

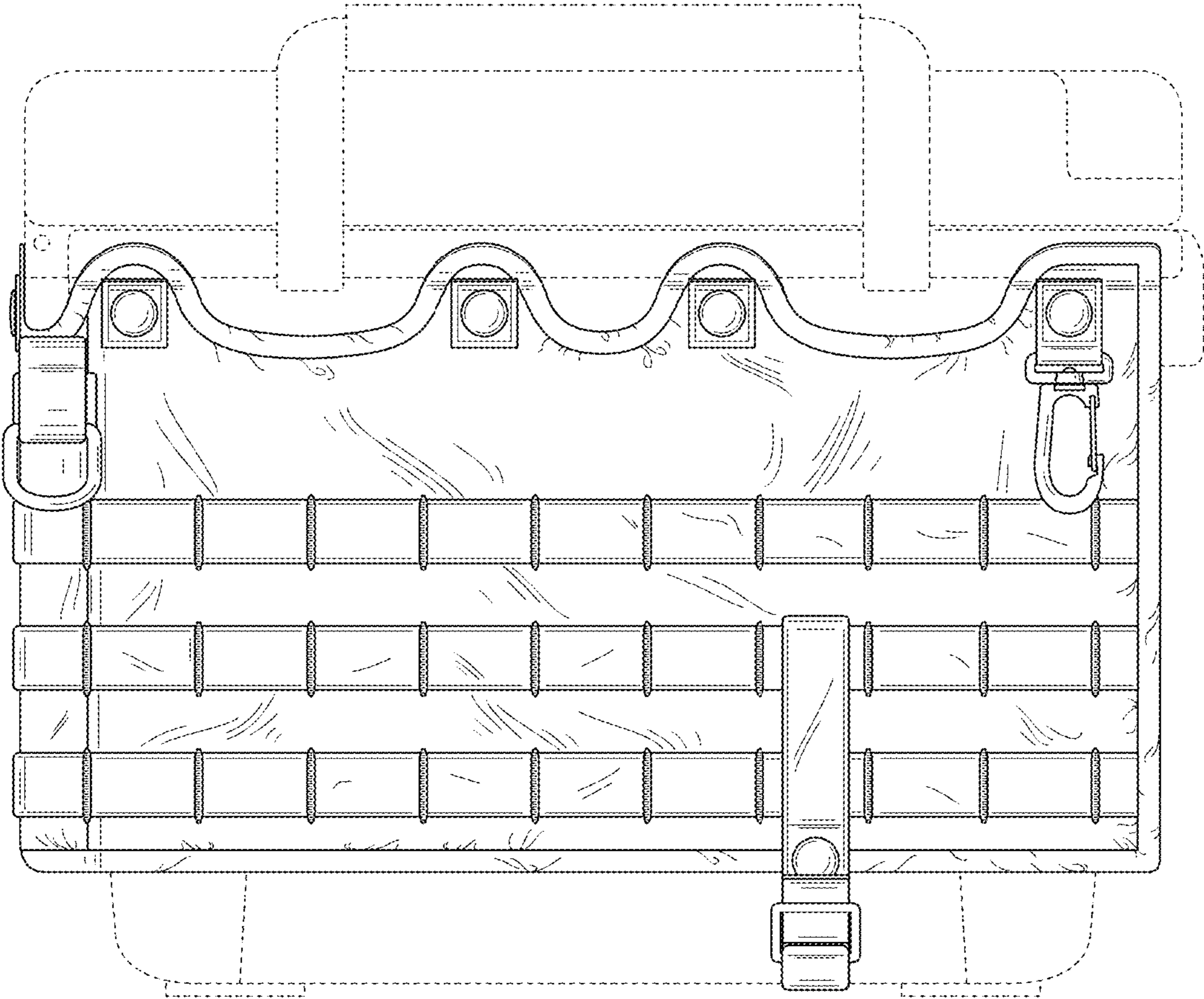


FIG. 3

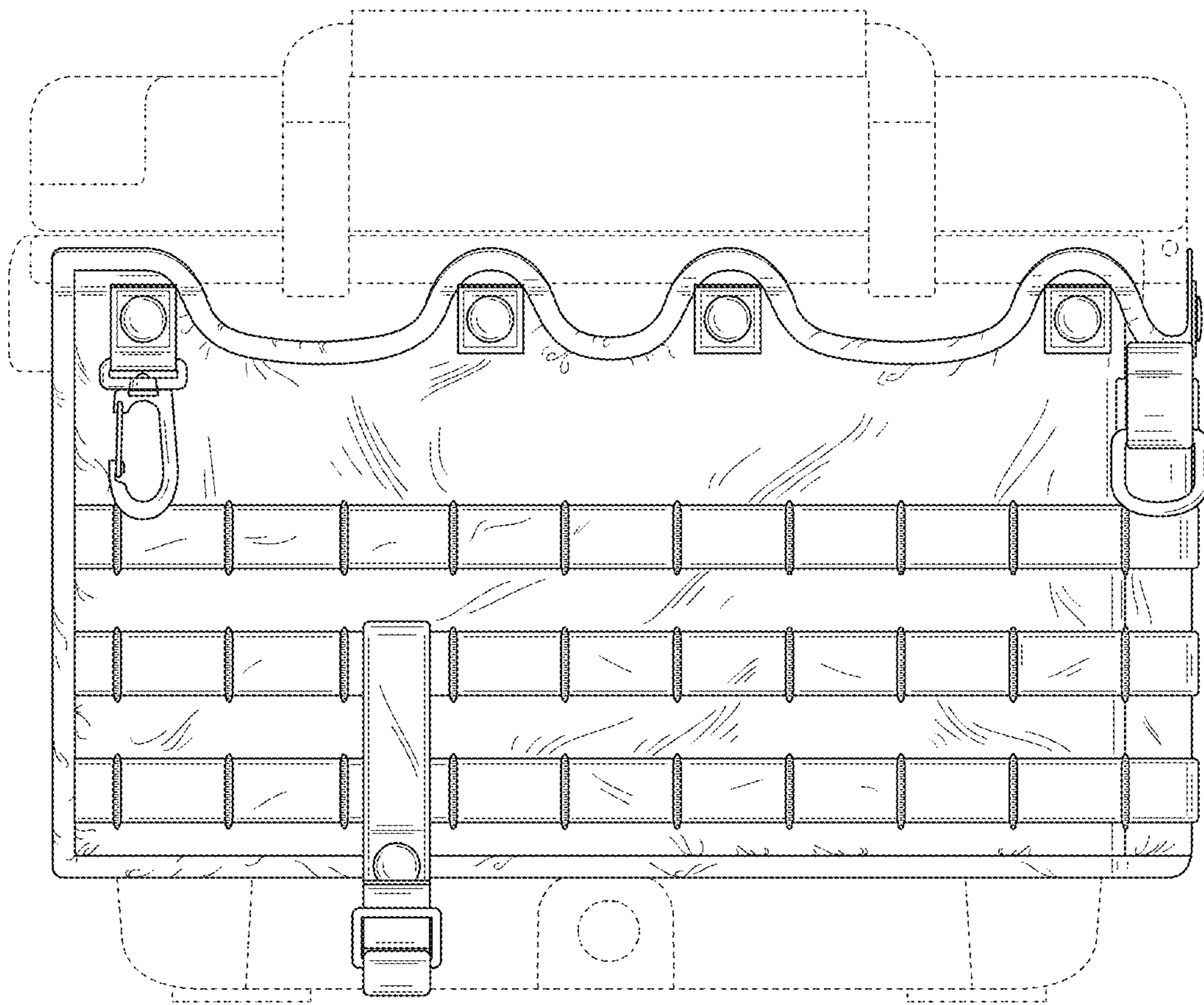


FIG. 4

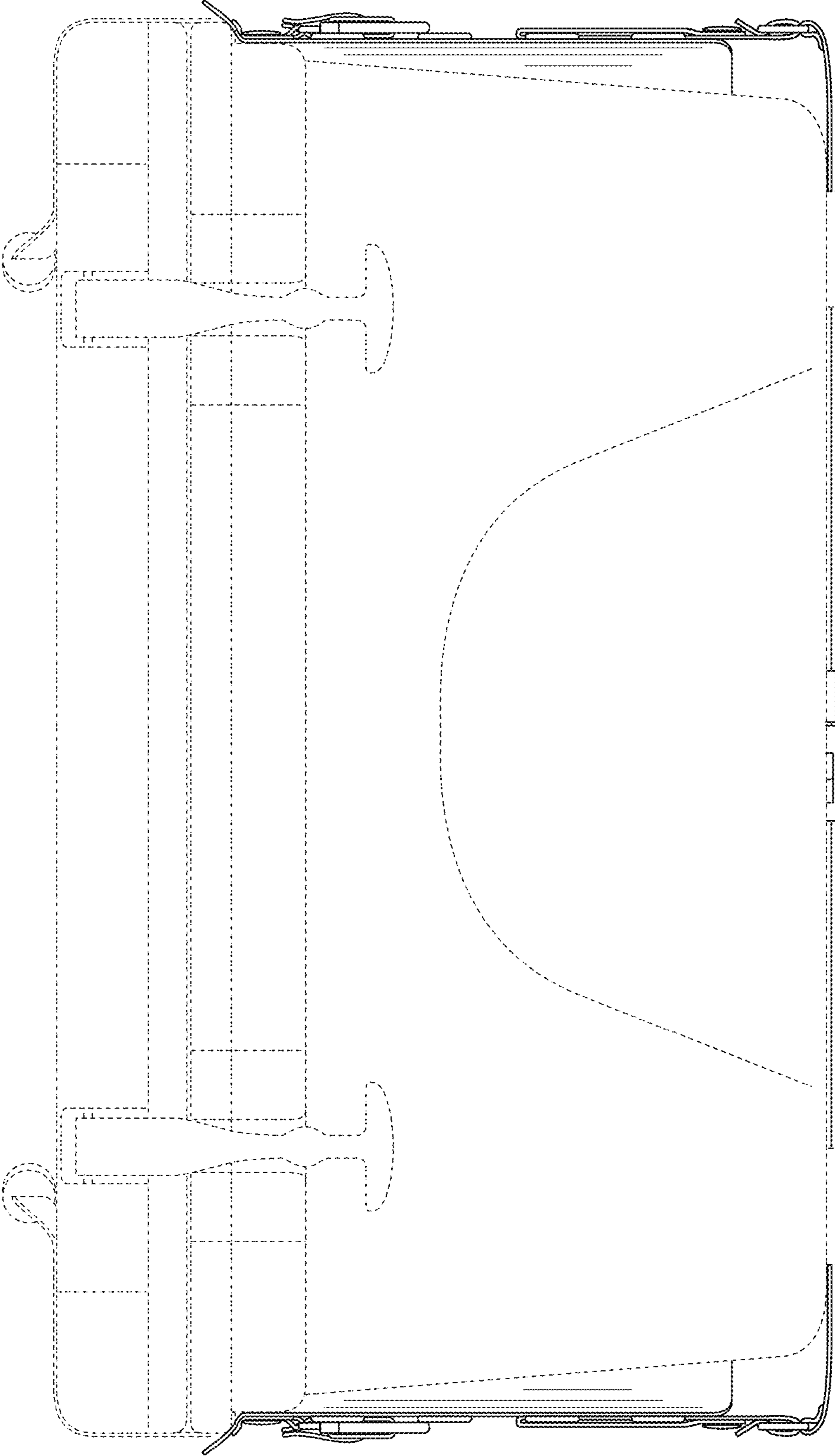


FIG. 5

