



US00D770858S

(12) **United States Design Patent** (10) **Patent No.:** **US D770,858 S**  
**Savarese** (45) **Date of Patent:** **\*\* Nov. 8, 2016**

(54) **CHAMPAGNE AND WINE BOTTLE CHILLER**

(71) Applicant: **Pasquale Savarese**, Smithtown, NY (US)

(72) Inventor: **Pasquale Savarese**, Smithtown, NY (US)

(\*\*) Term: **14 Years**

(21) Appl. No.: **29/517,006**

(22) Filed: **Feb. 9, 2015**

(51) **LOC (10) Cl.** ..... **07-01**

(52) **U.S. Cl.**  
USPC ..... **D7/603**

(58) **Field of Classification Search**  
USPC ..... D7/354, 523, 603, 605; D3/313  
CPC ..... F25D 3/08; B65D 25/30; B65D 7/24;  
B65D 81/3876; B65D 81/3879; B65D  
23/104; B65D 81/38; B65D 81/3886; B65D  
81/3881; B65D 81/3883; B65D 23/0885;  
B65D 25/34; B65D 21/0233; B65D 81/3869;  
A45C 11/20; A47G 23/0216; A47G 19/2288;  
A45F 2200/0583; A61F 7/10; B31D 5/0086;  
F21V 33/00

See application file for complete search history.

(56) **References Cited**

U.S. PATENT DOCUMENTS

1,984,455 A 12/1934 Bienenfeld  
2,216,762 A 11/1938 Bolas  
3,998,072 A 12/1976 Shaw  
4,037,428 A 7/1977 Giannotti  
4,255,944 A 3/1981 Gardner et al.  
D290,572 S 6/1987 Verduyn  
D395,579 S \* 6/1998 Jeppesen ..... D7/603  
6,094,936 A 8/2000 Miller  
6,237,360 B1 5/2001 Corona  
RE37,213 E 6/2001 Staggs  
6,357,253 B1 \* 3/2002 Condy ..... B65D 81/3883  
62/371  
6,378,325 B1 4/2002 Yang

D458,086 S 6/2002 Marks et al.  
6,474,096 B1 11/2002 de la Guardia  
D488,356 S \* 4/2004 Wiest ..... D7/603  
D490,274 S 5/2004 Irvine  
D490,978 S \* 6/2004 Breyer ..... D3/313  
D505,837 S \* 6/2005 Lima ..... D7/603  
D530,156 S \* 10/2006 Moore ..... D7/603

(Continued)

FOREIGN PATENT DOCUMENTS

AU 2010 100 394 A4 6/2010  
DE 265 750 C 2/1913  
DE 202 11 894 U1 10/2002

OTHER PUBLICATIONS

European Search Report for EP 12 15 6748 dated May 14, 2012.

*Primary Examiner* — Freda S Nunn

(74) *Attorney, Agent, or Firm* — Carter, DeLuca, Farrell & Schmidt, LLP

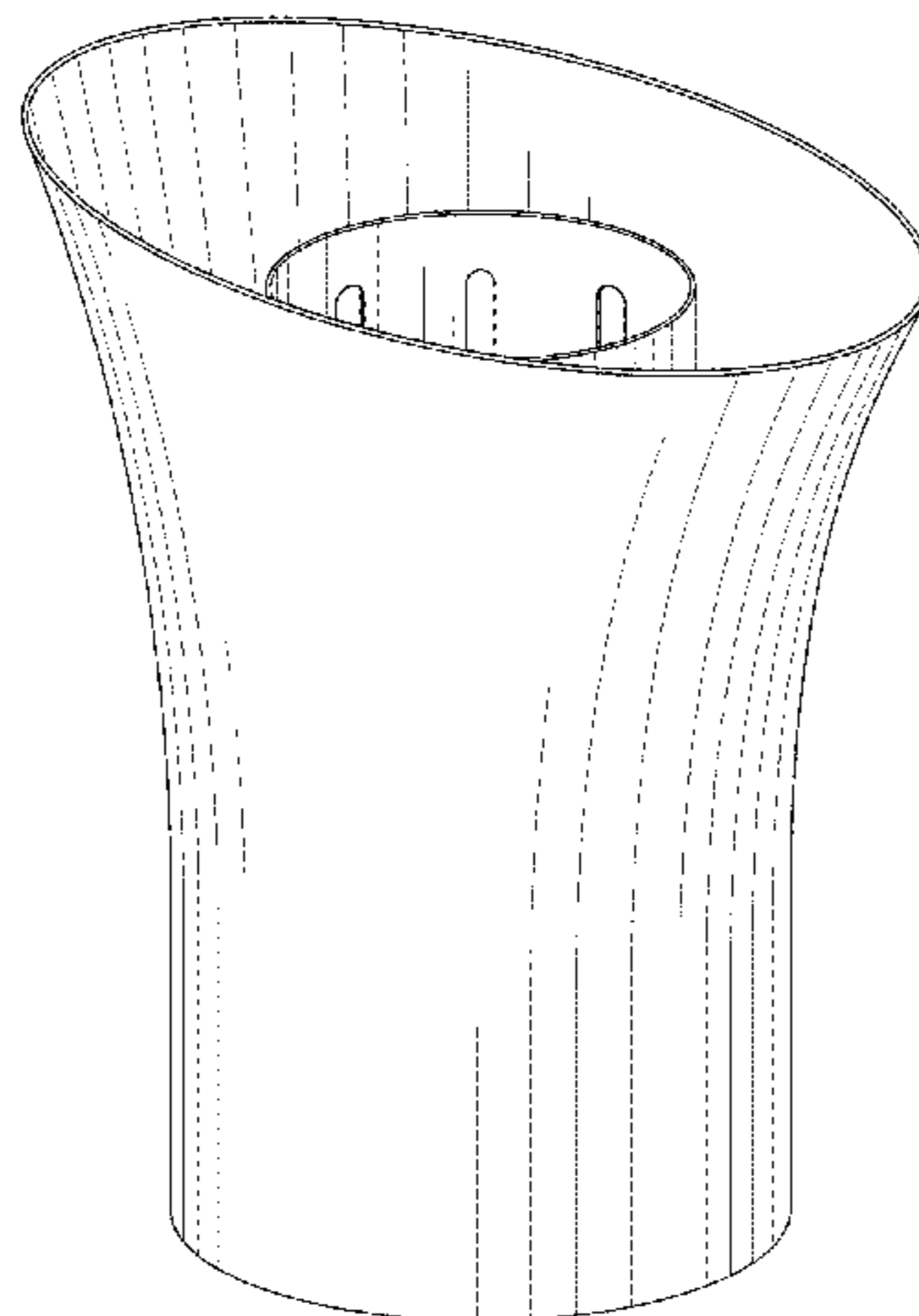
(57) **CLAIM**

The ornamental design for a champagne and wine bottle chiller, as shown and described.

**DESCRIPTION**

FIG. 1 is a perspective view illustrating my new design for a champagne and wine bottle chiller having a container and an insert configured for placement within the container; FIG. 2 is a front view of the container; FIG. 3 is a back view of the container; FIG. 4 is a right side view of the container; FIG. 5 is a left side view of the container; FIG. 6 is a top view of the container and insert; FIG. 7 is a bottom view of the container; FIG. 8 is a perspective view of the insert thereof shown separately for clarity of illustration only; FIG. 9 is a front view of the insert; FIG. 10 is a top view of the insert; and, FIG. 11 is a bottom view of the insert.

**1 Claim, 9 Drawing Sheets**



(56)

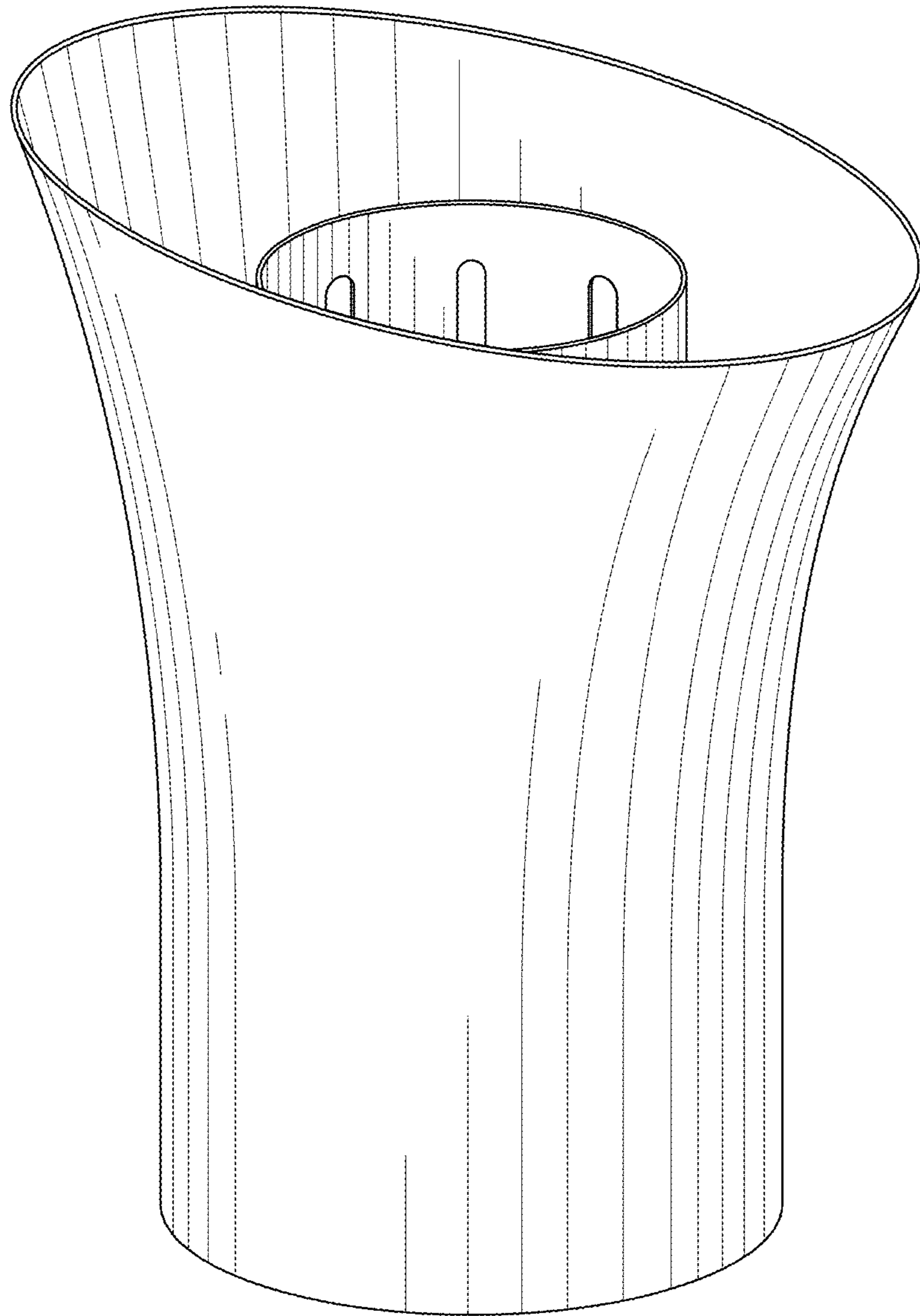
**References Cited**

U.S. PATENT DOCUMENTS

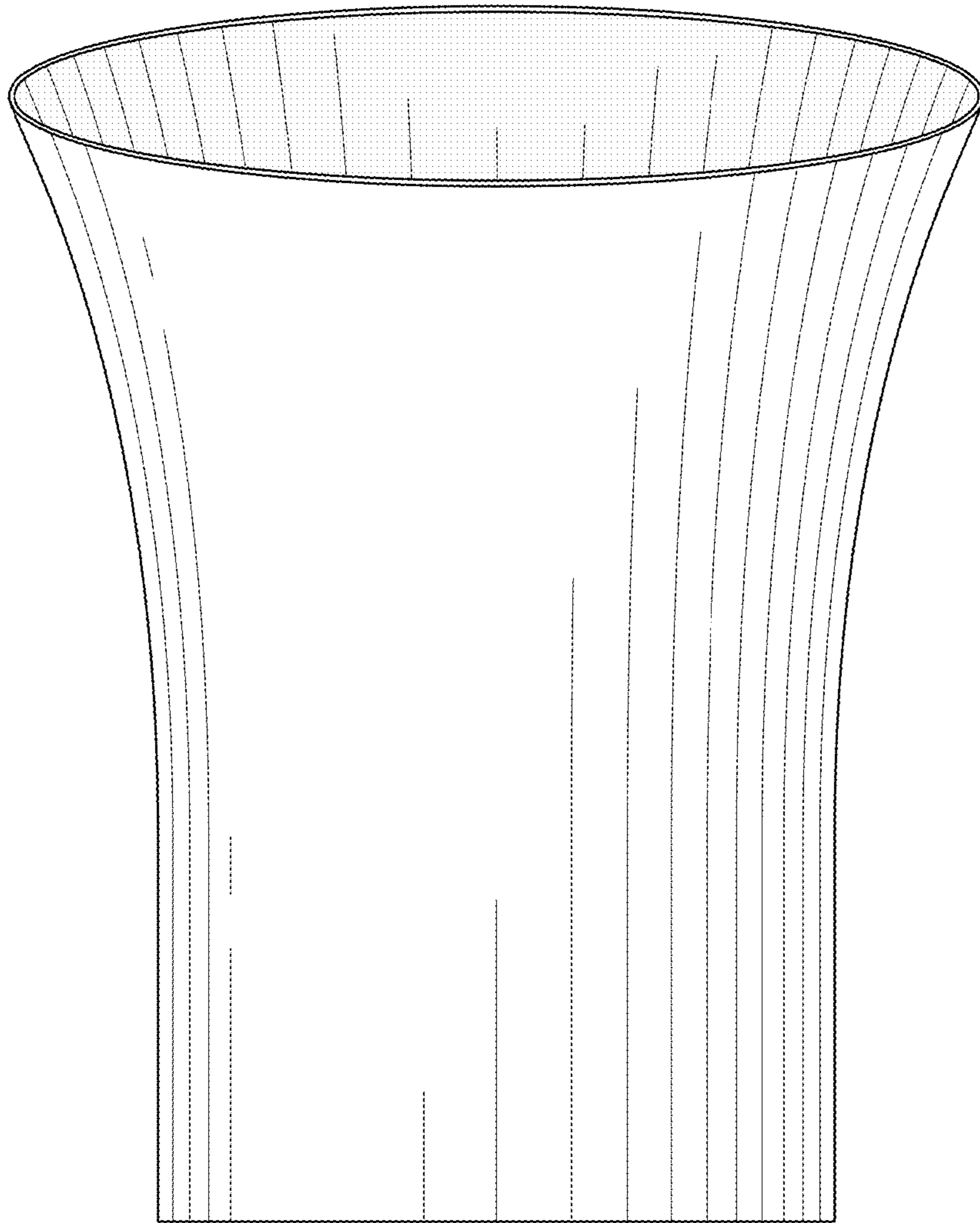
7,370,492 B2 5/2008 Hoare et al.  
D621,223 S \* 8/2010 Bas ..... D7/603  
D624,783 S \* 10/2010 Lion ..... D7/354  
D631,702 S \* 2/2011 Flick ..... D7/509

D634,981 S 3/2011 Savarese  
2003/0010054 A1 1/2003 Esch et al.  
2005/0078472 A1 4/2005 Wiest  
2006/0060592 A1 3/2006 Kamite  
2007/0113580 A1 5/2007 Robertson et al.  
2008/0043805 A1 2/2008 Harris

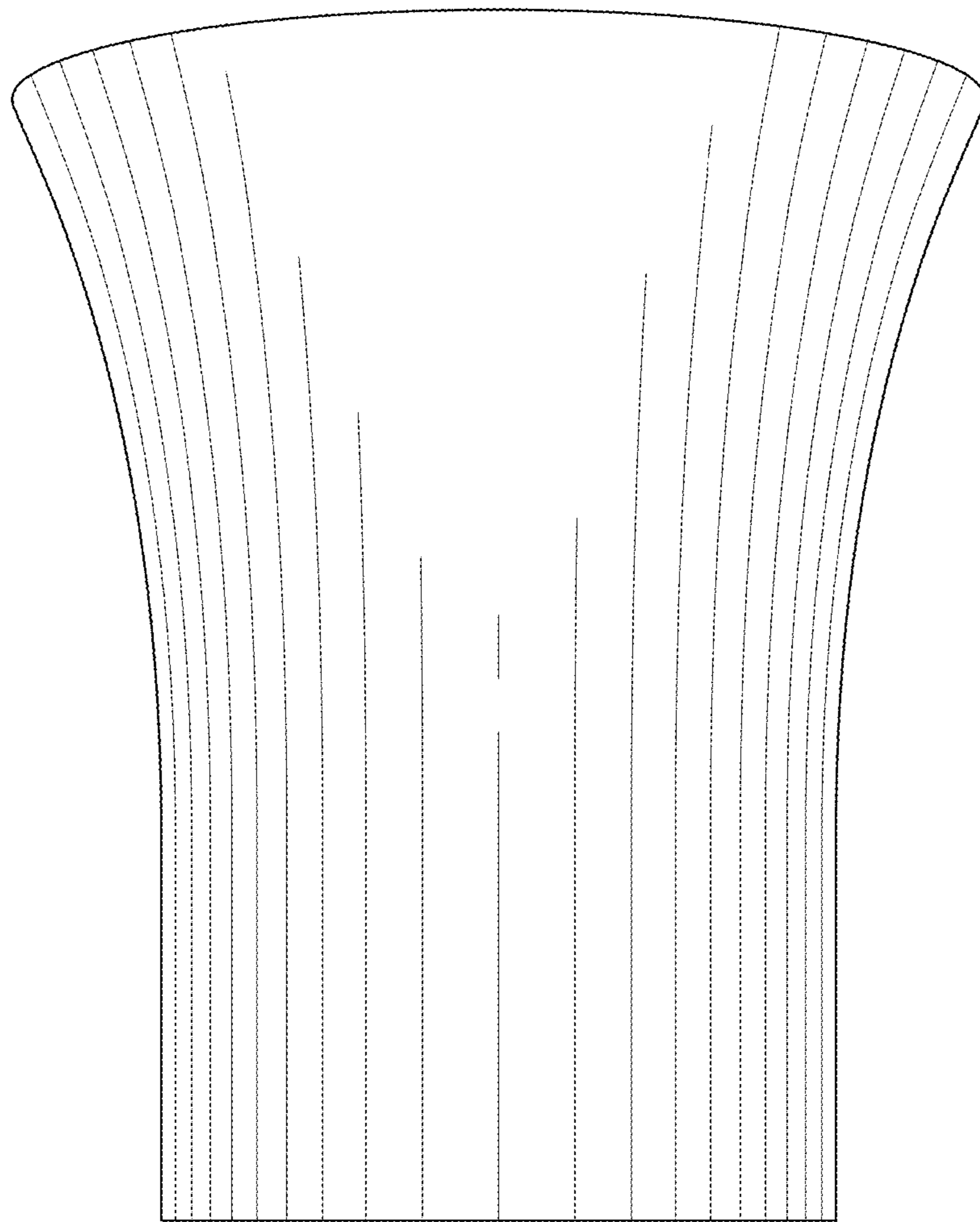
\* cited by examiner



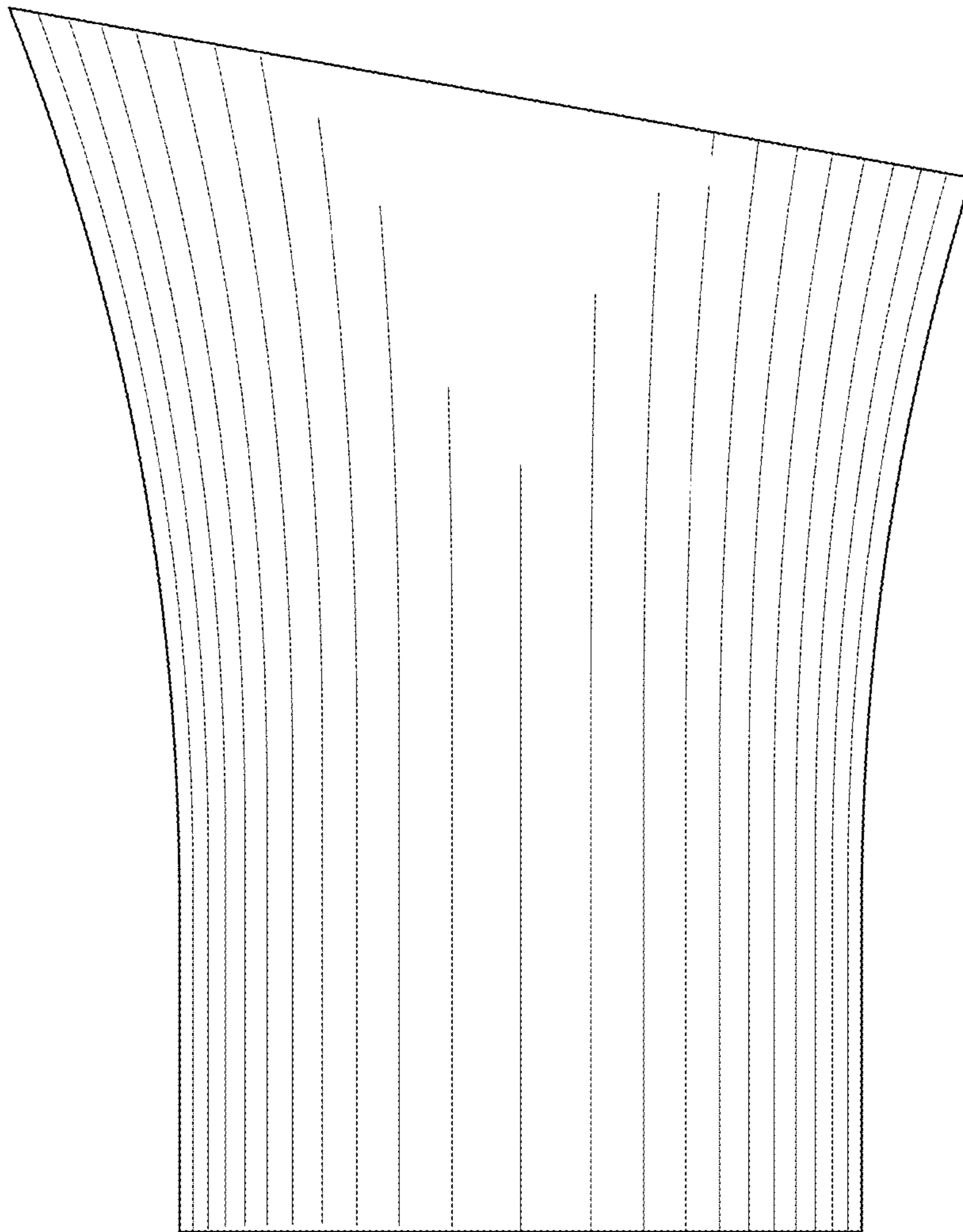
**FIG. 1**



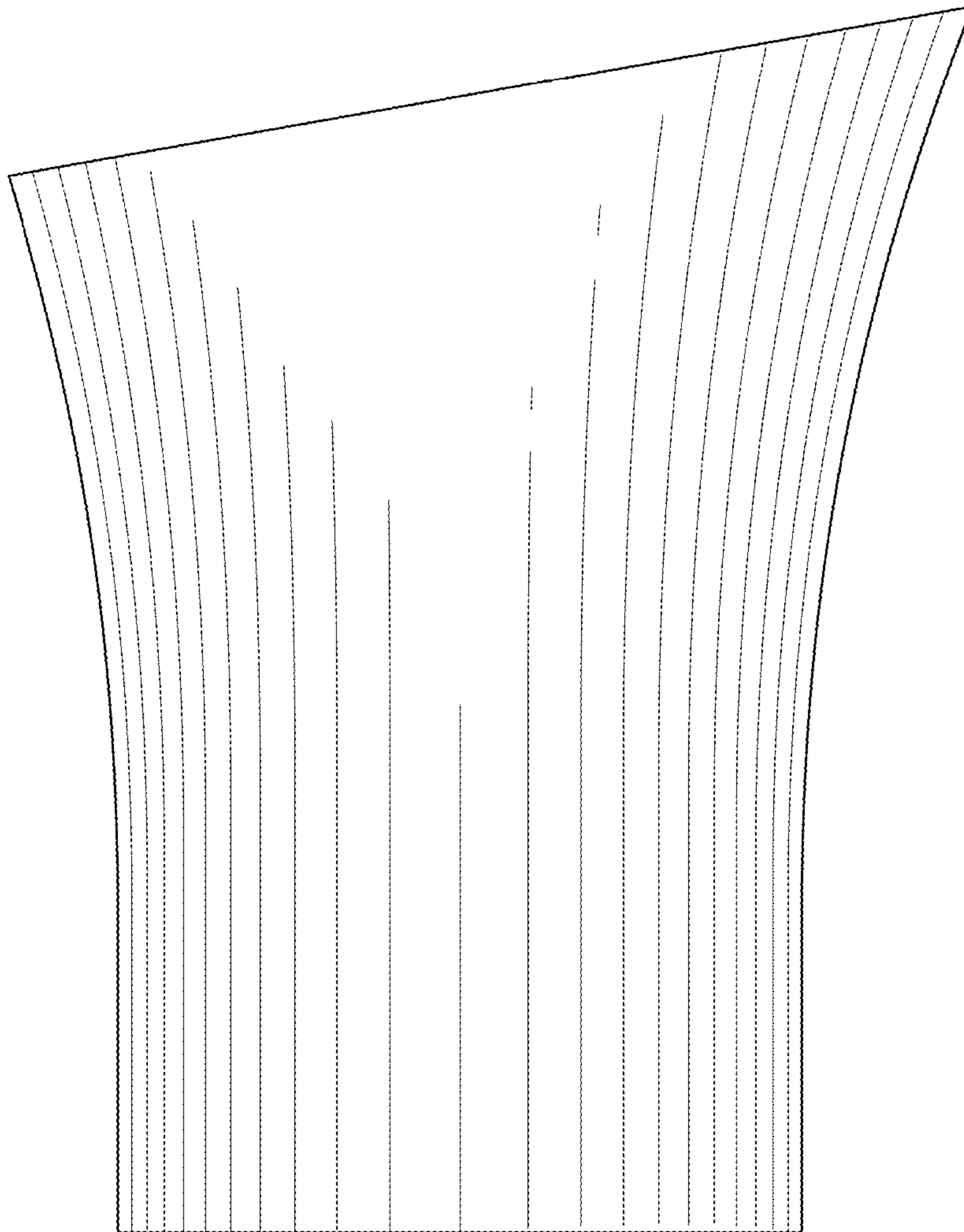
**FIG. 2**



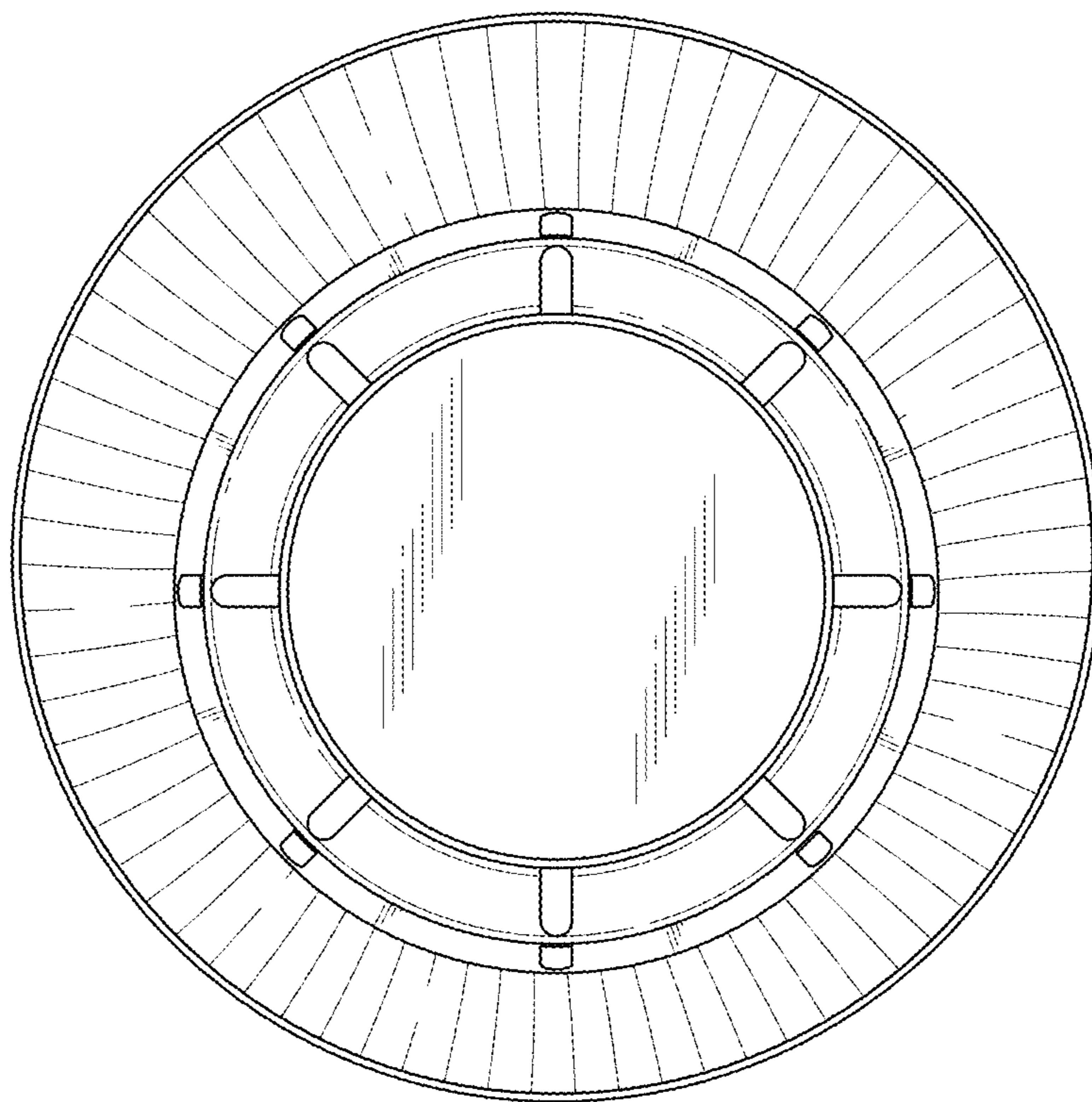
**FIG. 3**



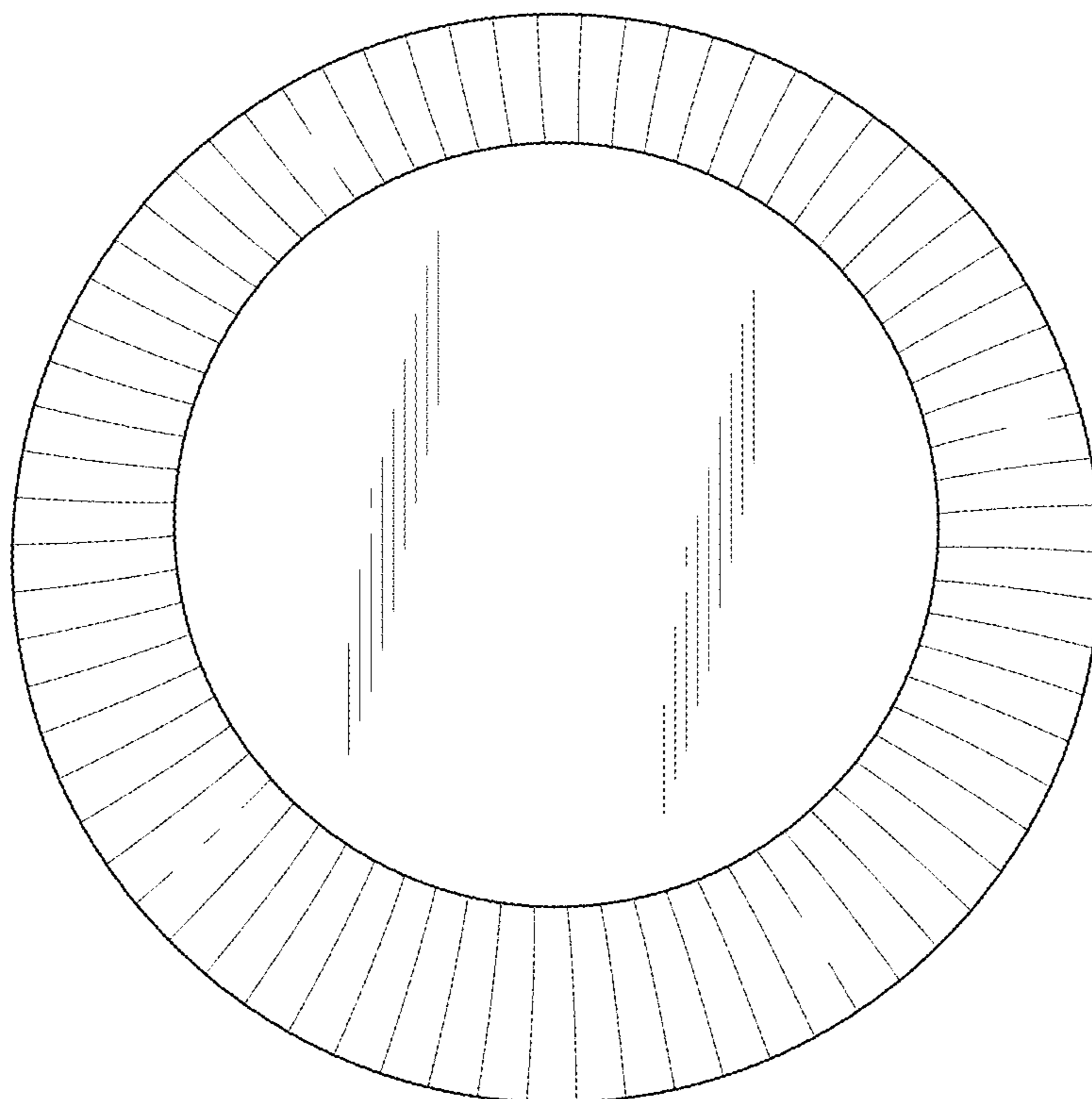
**FIG. 4**



**FIG. 5**

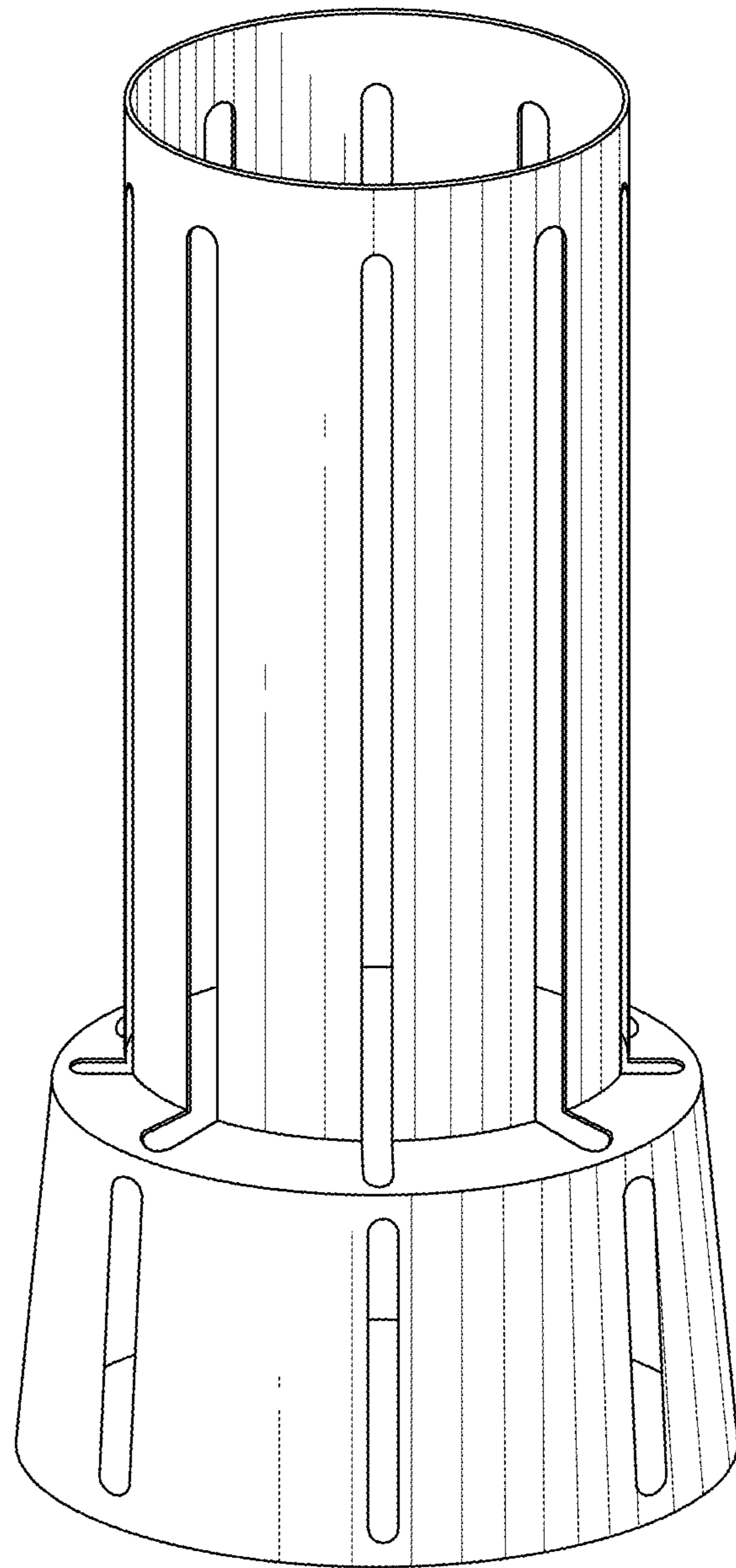


**FIG. 6**

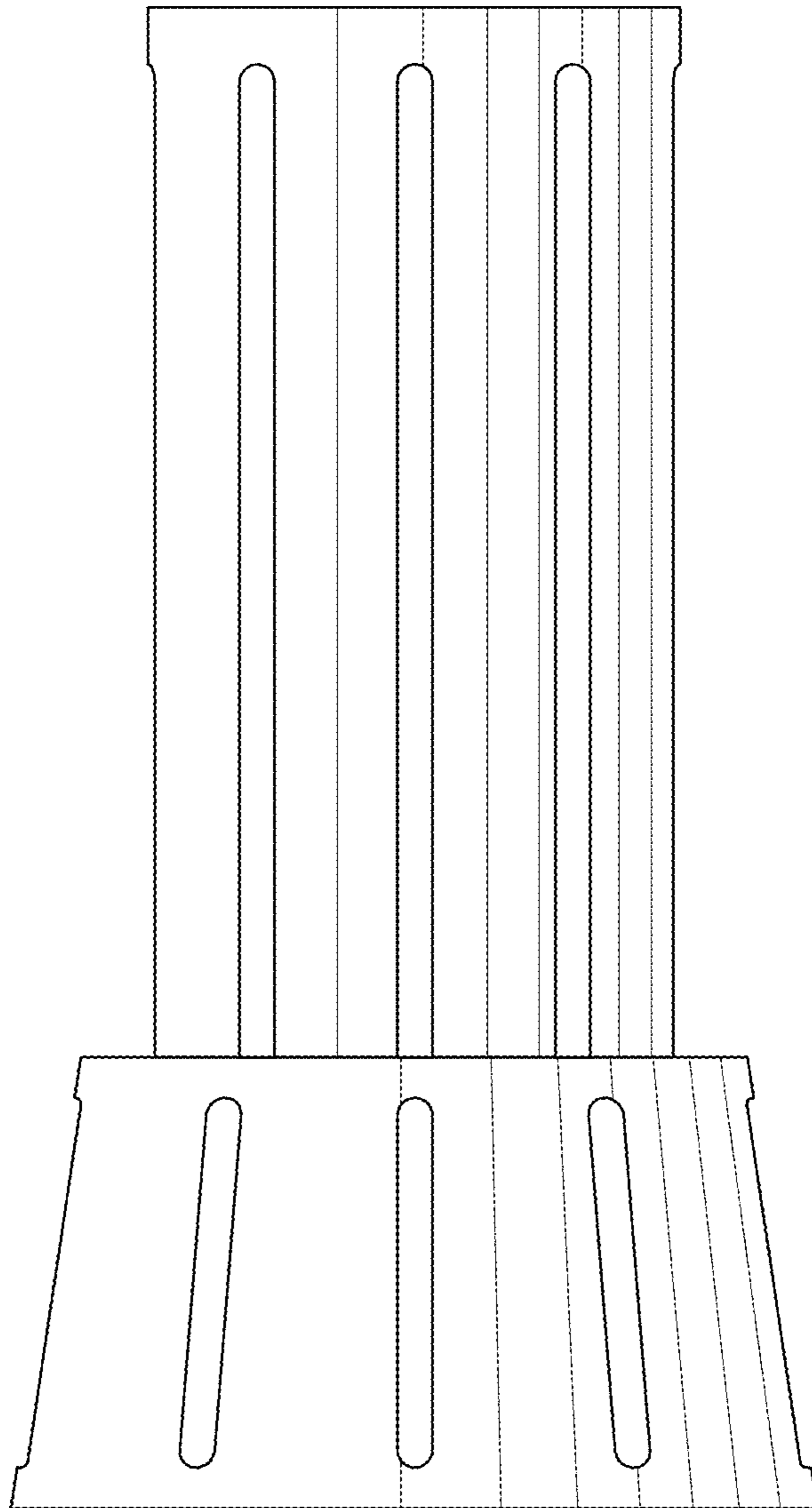


**FIG. 7**

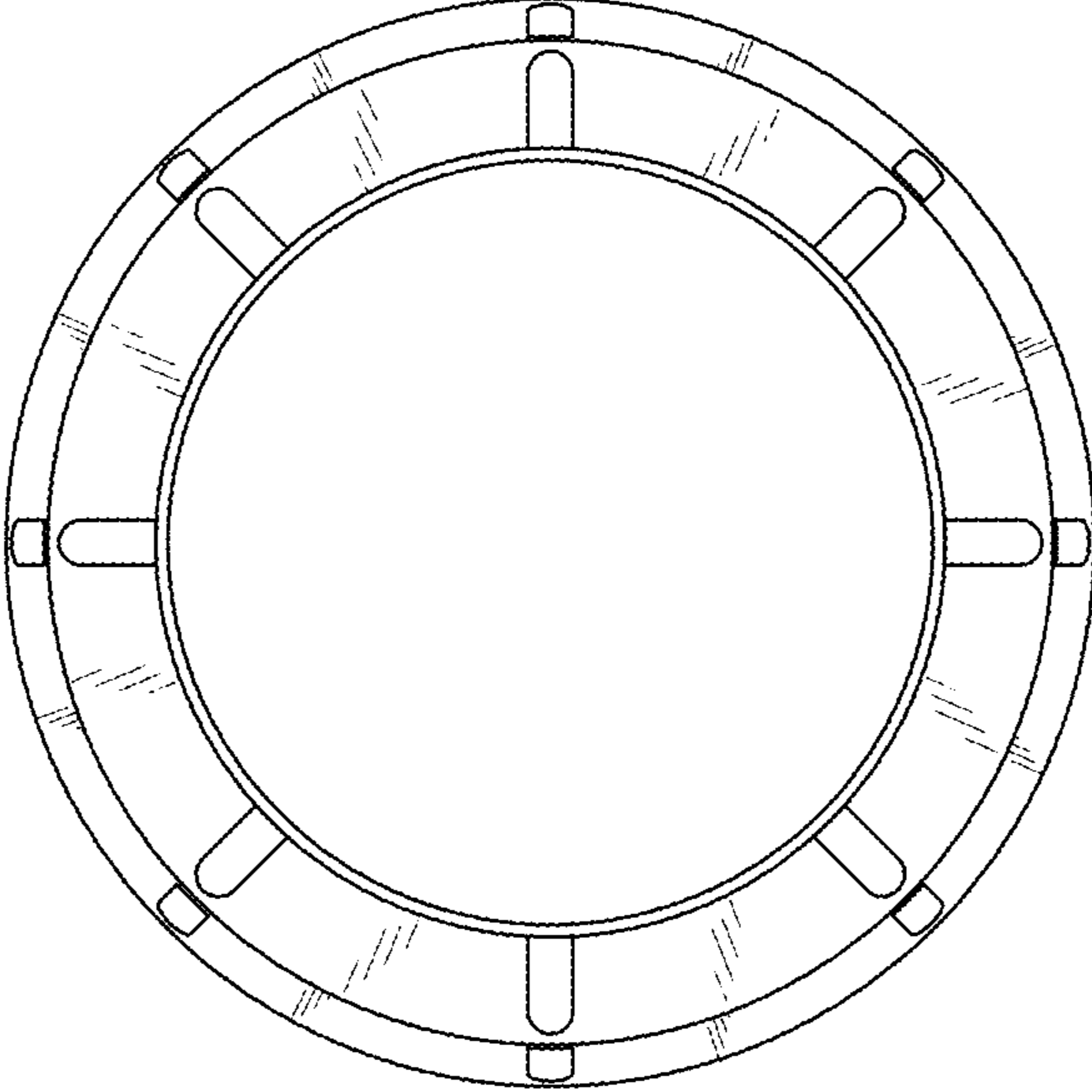




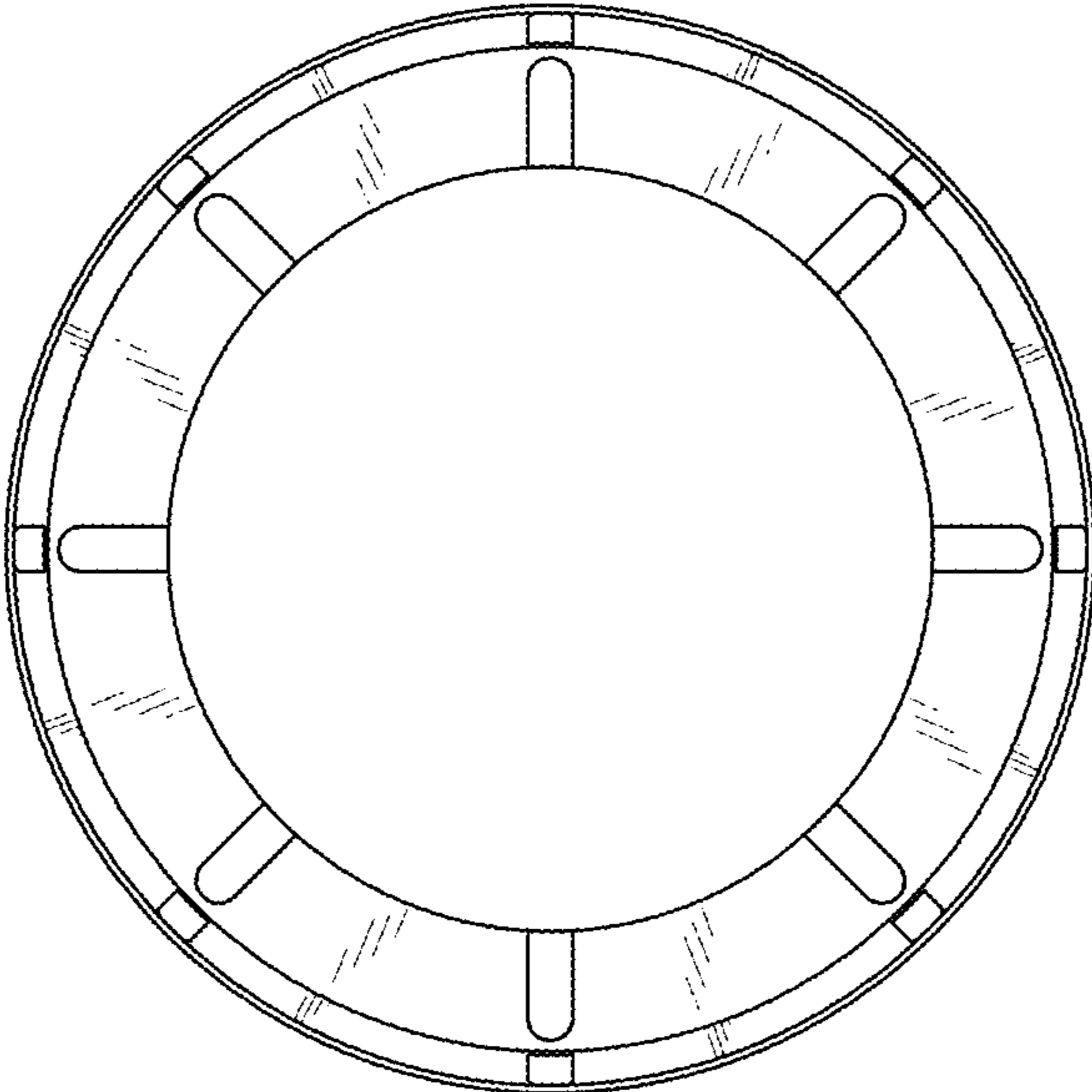
**FIG. 8**



**FIG. 9**



**FIG. 10**



**FIG. 11**