



US00D770853S

(12) **United States Design Patent**  
**Gschwandtl et al.**

(10) **Patent No.:** **US D770,853 S**

(45) **Date of Patent:** **\*\* Nov. 8, 2016**

(54) **DRINKING CONTAINER**

(71) Applicant: **Ember Technologies, Inc.**, Westlake Village, CA (US)

(72) Inventors: **Martin Gschwandtl**, San Francisco, CA (US); **Eric Fields**, San Francisco, CA (US); **Stephen Steger**, San Francisco, CA (US); **Christopher Kuh**, San Francisco, CA (US); **Robert Brunner**, San Francisco, CA (US)

(73) Assignee: **Ember Technologies, Inc.**, Westlake Village, CA (US)

(\*\*) Term: **14 Years**

(21) Appl. No.: **29/526,026**

(22) Filed: **May 5, 2015**

(51) **LOC (10) Cl.** ..... **07-01**

(52) **U.S. Cl.**  
USPC ..... **D7/523; D7/532; D7/510**

(58) **Field of Classification Search**  
USPC ..... D7/509, 510, 511, 523, 532, 543, 505, D7/300.1, 607, 708, 619.1, 396.1, 396.2, D7/399, 387, 608; D9/503, 504, 520, 546, D9/572, 573, 574, 414, 432, 450, 524; D24/232, 216, 207, 206, 218, 224, 227, D24/229; D28/82, 76, 73, 83, 85; 220/592.16, 592.17, 700, 703, 377; D3/202, 302; D26/49  
CPC ..... A47G 19/22; A47G 19/2205; A47G 19/2255; A47G 19/2288; B65D 1/265; B65D 43/02; B65D 3/08  
See application file for complete search history.

(56) **References Cited**

**U.S. PATENT DOCUMENTS**

D55,571 S \* 6/1920 Paine ..... D26/49  
2,299,730 A \* 10/1942 Bornstein ..... A47G 19/2216  
215/387

D139,441 S \* 11/1944 Lippincott ..... D26/49  
D185,465 S \* 6/1959 Schlumbohm ..... D7/608  
5,042,258 A 8/1991 Sundhar  
D366,810 S \* 2/1996 Yeh ..... D7/533  
D377,293 S \* 1/1997 Husted ..... D7/510  
5,842,353 A 12/1998 Kuo-Liang  
D408,689 S \* 4/1999 Kato ..... D7/511  
6,013,901 A 1/2000 Lavoie  
6,072,161 A 6/2000 Stein  
D432,865 S \* 10/2000 Cohen ..... D7/510  
6,140,614 A 10/2000 Padamsee  
6,314,867 B1 11/2001 Russell  
6,403,928 B1 6/2002 Ford  
D472,101 S \* 3/2003 Janky ..... D7/523  
D483,995 S \* 12/2003 Otake ..... D7/523  
6,674,052 B1 1/2004 Luo  
D490,272 S \* 5/2004 Rohe ..... D7/510  
D495,208 S \* 8/2004 Putnam ..... D7/300.1  
D497,778 S \* 11/2004 Rich ..... D7/608

(Continued)

*Primary Examiner* — Marianne Pandozzi

*Assistant Examiner* — Jae Liang

(74) *Attorney, Agent, or Firm* — Knobbe, Martens, Olson & Bear, LLP

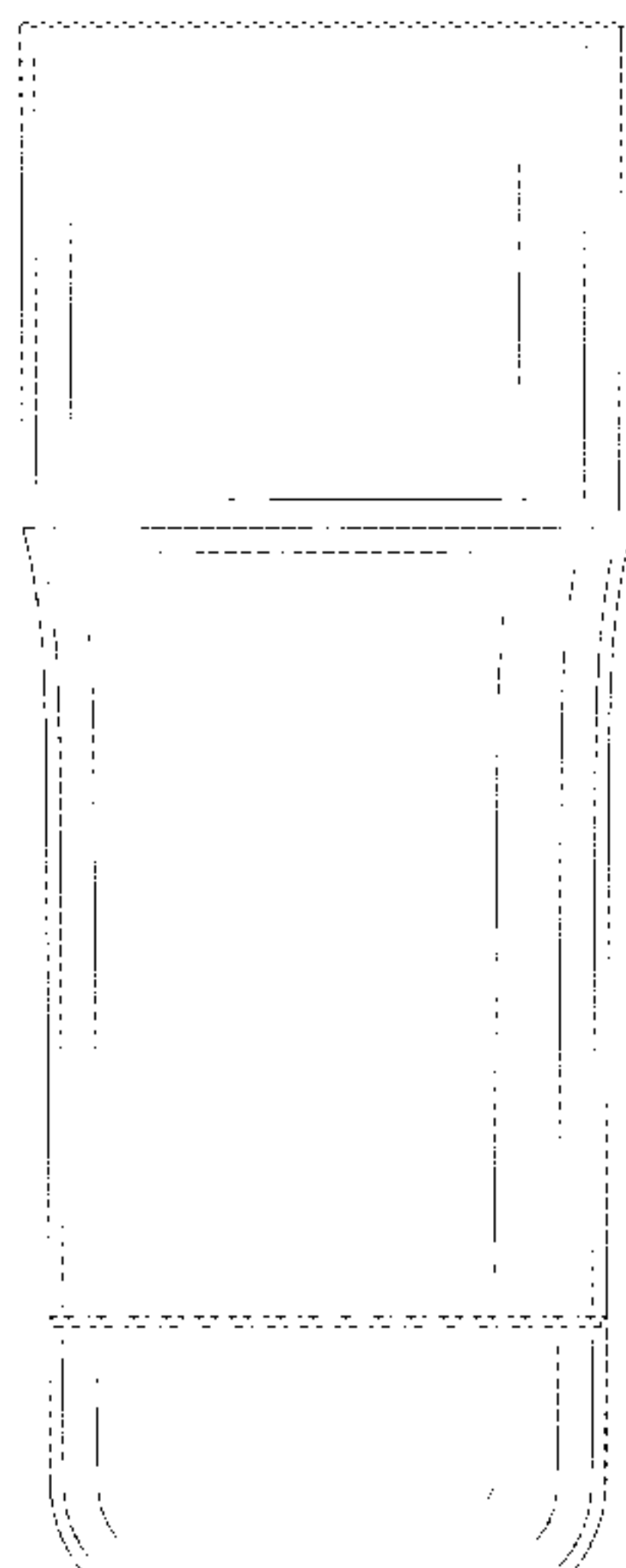
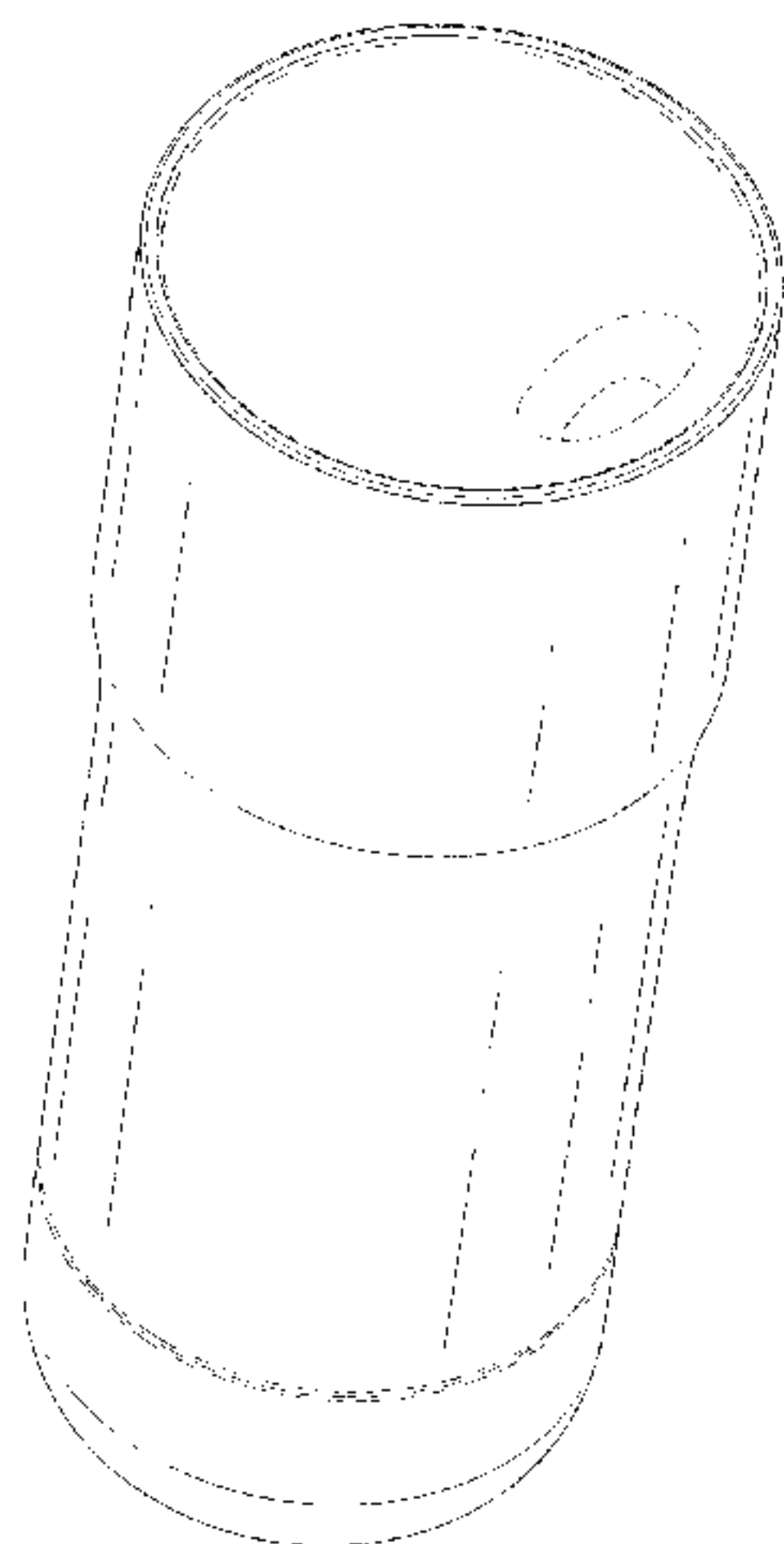
(57) **CLAIM**

We claim the ornamental design for a drinking container, as shown and described.

**DESCRIPTION**

FIG. 1 is a top perspective view of a drinking container in its depressed position showing our new design;  
FIG. 2 is a top perspective view of a drinking container in its raised position;  
FIG. 3 is a side view of FIG. 1;  
FIG. 4 is a side view of FIG. 2;  
FIG. 5 is a top view thereof;  
FIG. 6 is a bottom view thereof; and,  
FIG. 7 is a bottom perspective view of FIG. 1.  
The broken lines in the drawings depict portions of the drinking container that form no part of the claimed design.

**1 Claim, 6 Drawing Sheets**



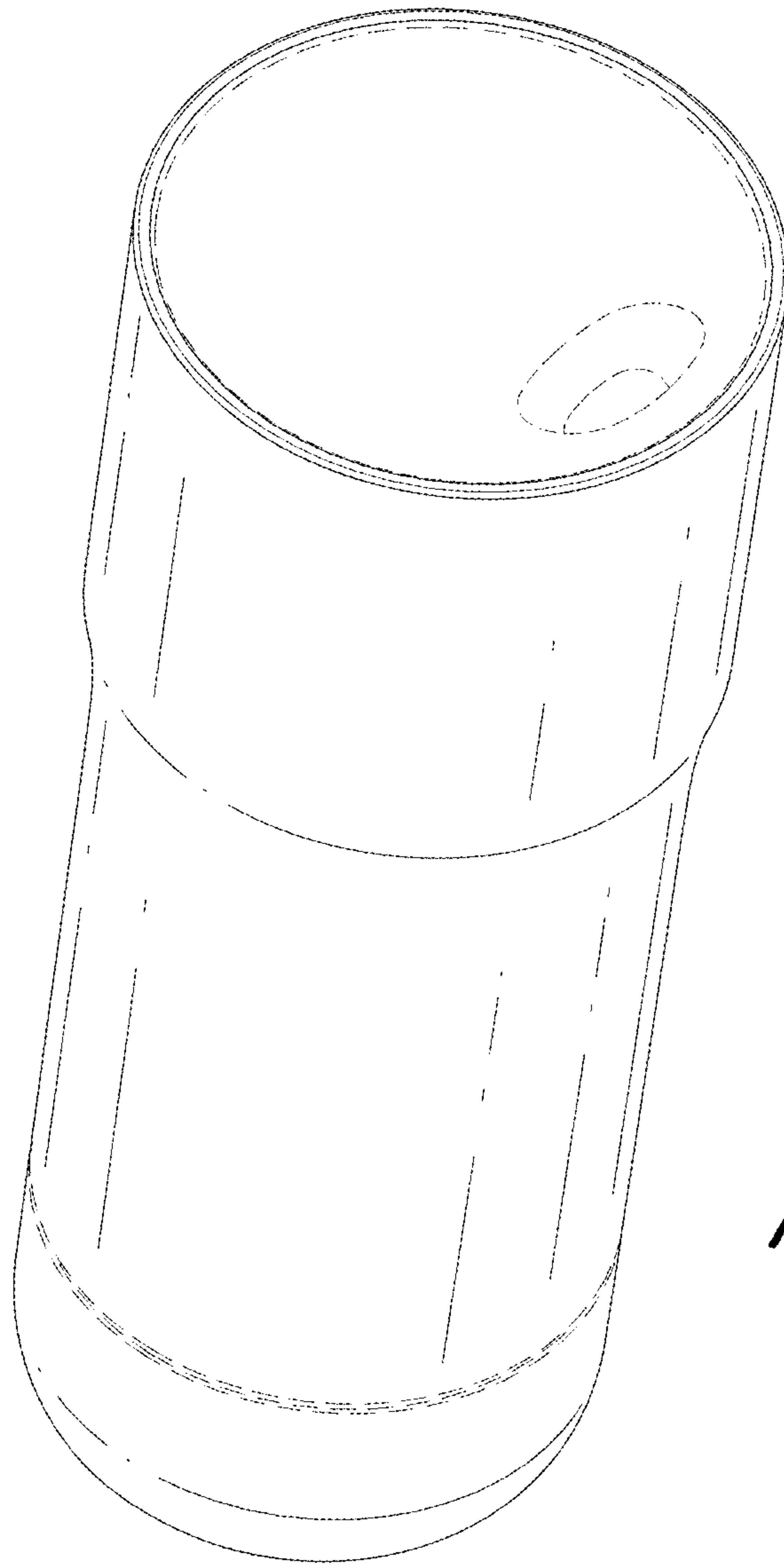
(56)

References Cited

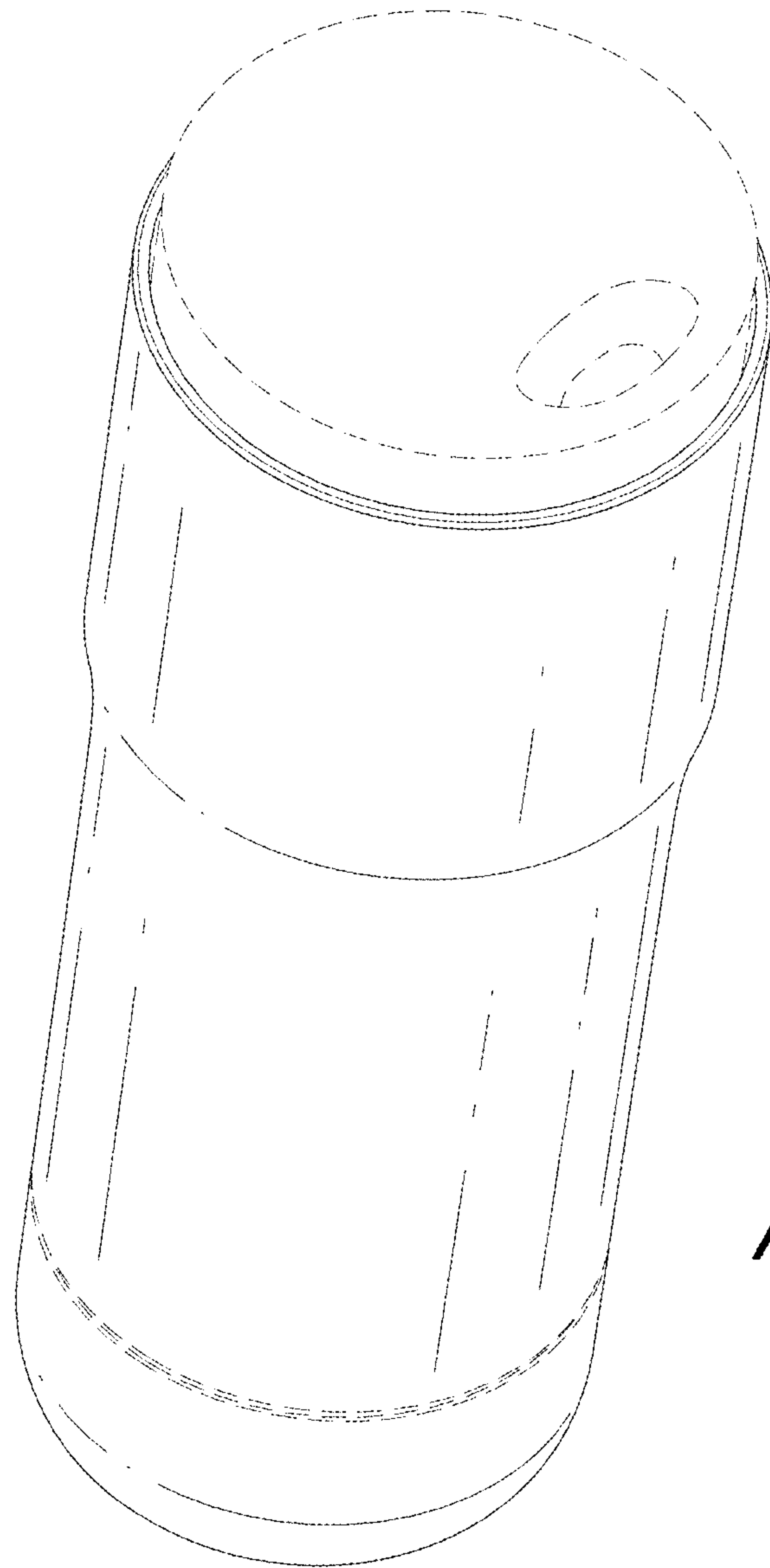
U.S. PATENT DOCUMENTS

6,852,954 B1	2/2005	Liu et al.	
D502,396 S *	3/2005	Frisch .....	D9/450
6,864,462 B2	3/2005	Sanoner et al.	
7,022,946 B2	4/2006	Sanoner et al.	
D531,856 S *	11/2006	Seum .....	D7/509
D535,151 S *	1/2007	Seum .....	D7/510
D540,124 S *	4/2007	Ross .....	D7/509
D545,131 S *	6/2007	Seum .....	D7/509
D588,936 S *	3/2009	Ioannides .....	D9/776
D608,147 S *	1/2010	Sykes .....	D7/507
D623,473 S *	9/2010	Chen .....	D7/510
D649,403 S *	11/2011	Eyal .....	D7/510
D654,319 S *	2/2012	Myers .....	D7/509
D662,776 S *	7/2012	Eyal .....	D7/510
8,274,016 B2	9/2012	Montana	
D705,012 S *	5/2014	Lapsker .....	D7/523
D706,475 S *	6/2014	Lee .....	D26/49
D716,982 S *	11/2014	Corey .....	D26/49
D727,093 S *	4/2015	Lapsker .....	D7/396.2
D734,989 S *	7/2015	Lapsker .....	D7/523
2005/0121431 A1	6/2005	Yuen	
2006/0207442 A1	9/2006	Pettersson	
2010/0000980 A1	1/2010	Popescu	
2010/0224645 A1*	9/2010	Gilbert .....	B65D 47/0885 220/817
2011/0072978 A1	3/2011	Popescu	
2012/0082766 A1	4/2012	Maupin et al.	
2013/0221013 A1	8/2013	Kolowich et al.	

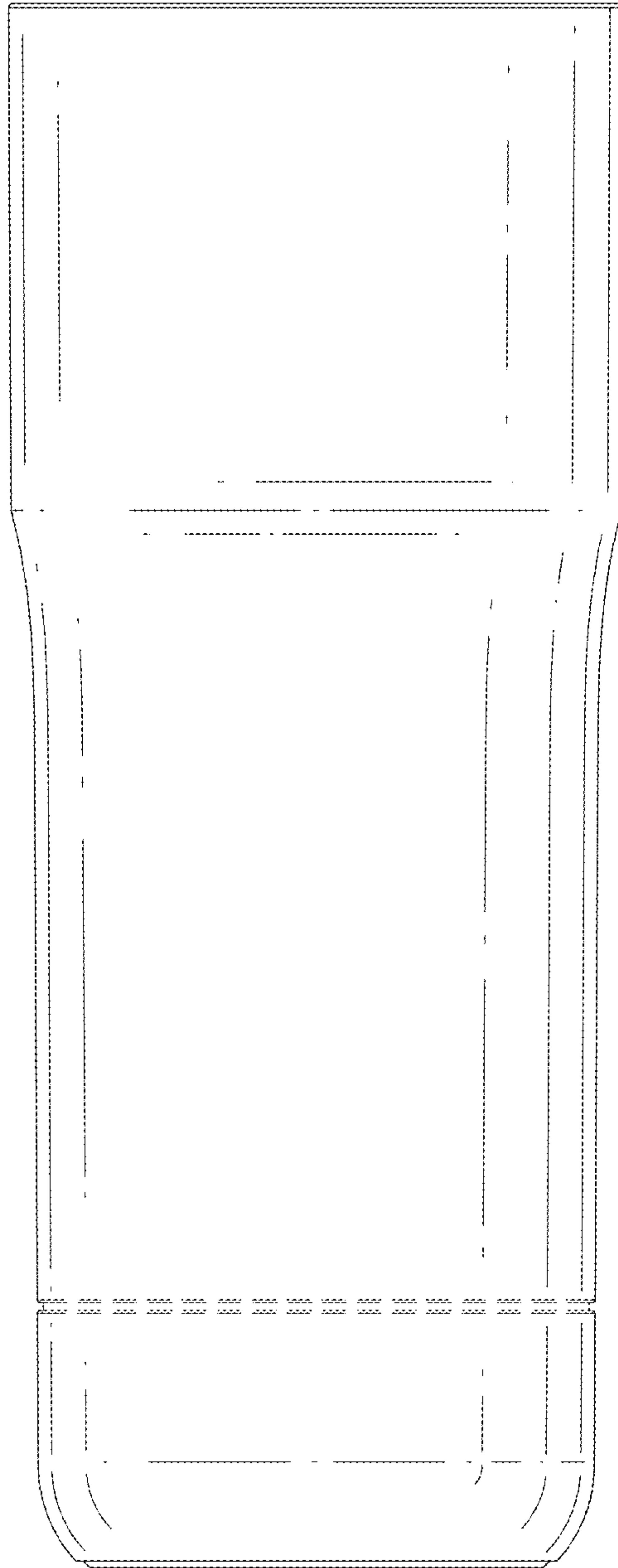
\* cited by examiner



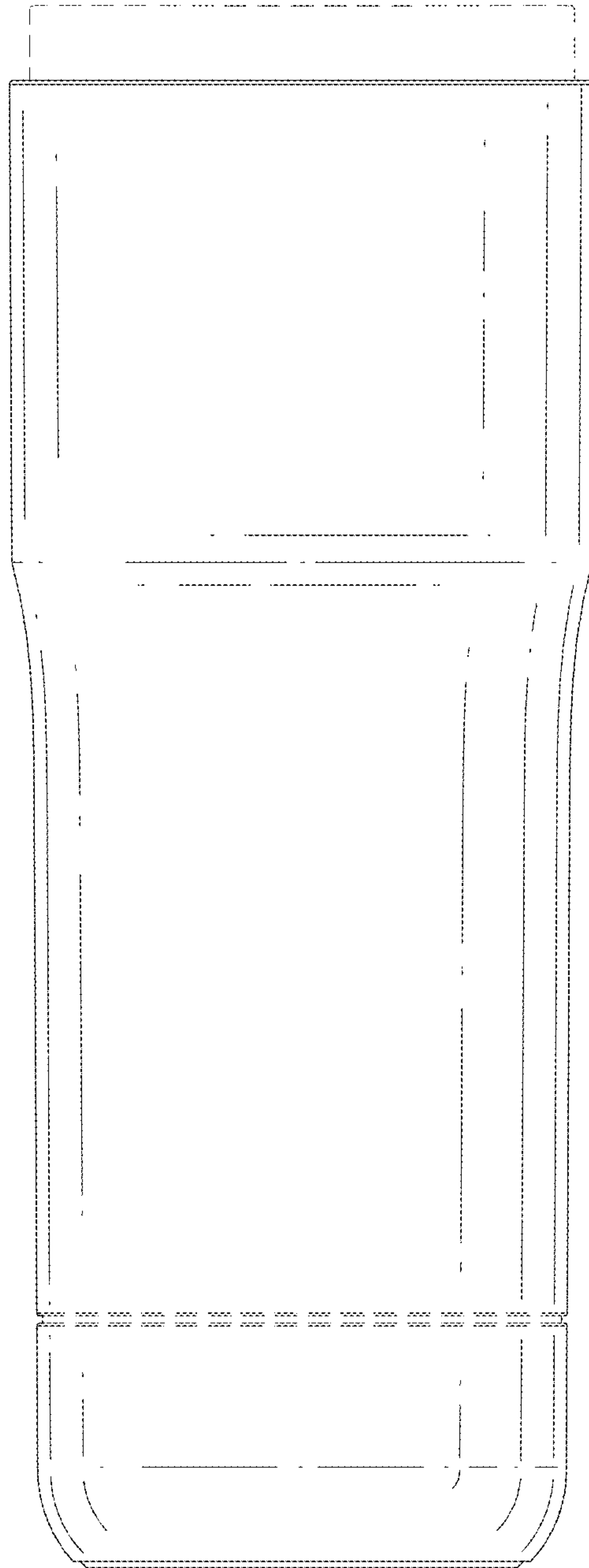
*FIG. 1*



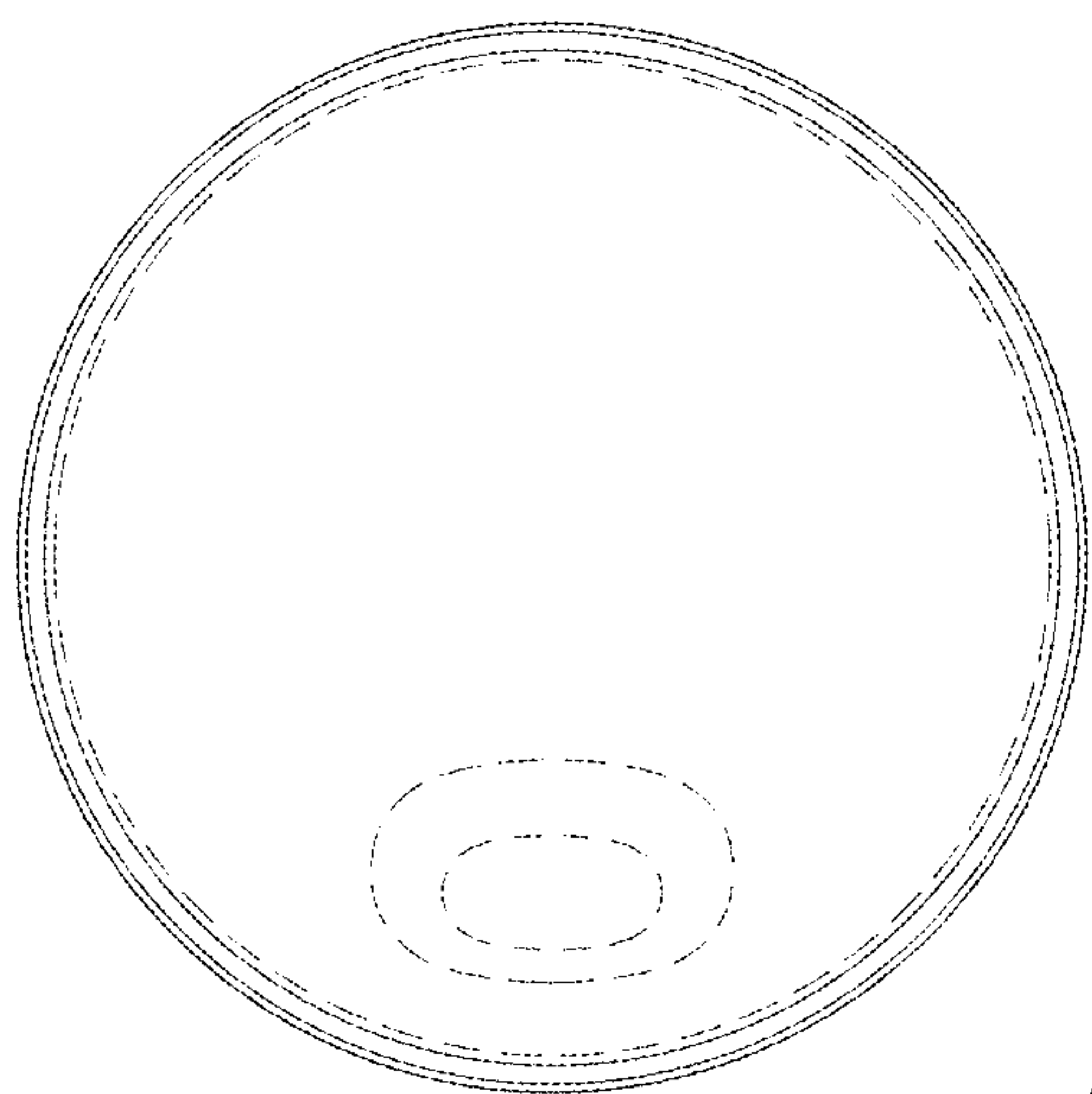
*FIG. 2*



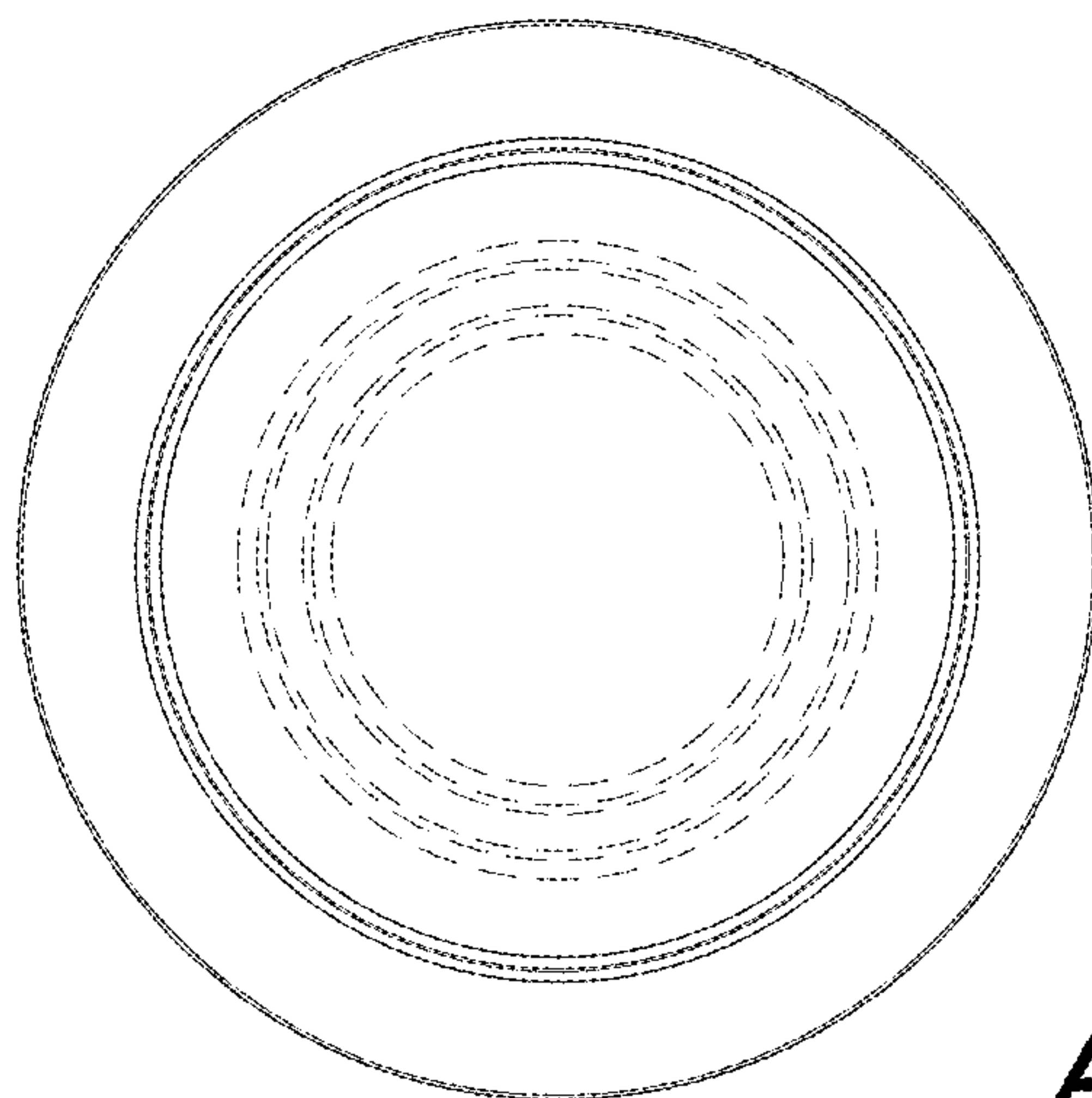
*FIG. 3*



*FIG. 4*

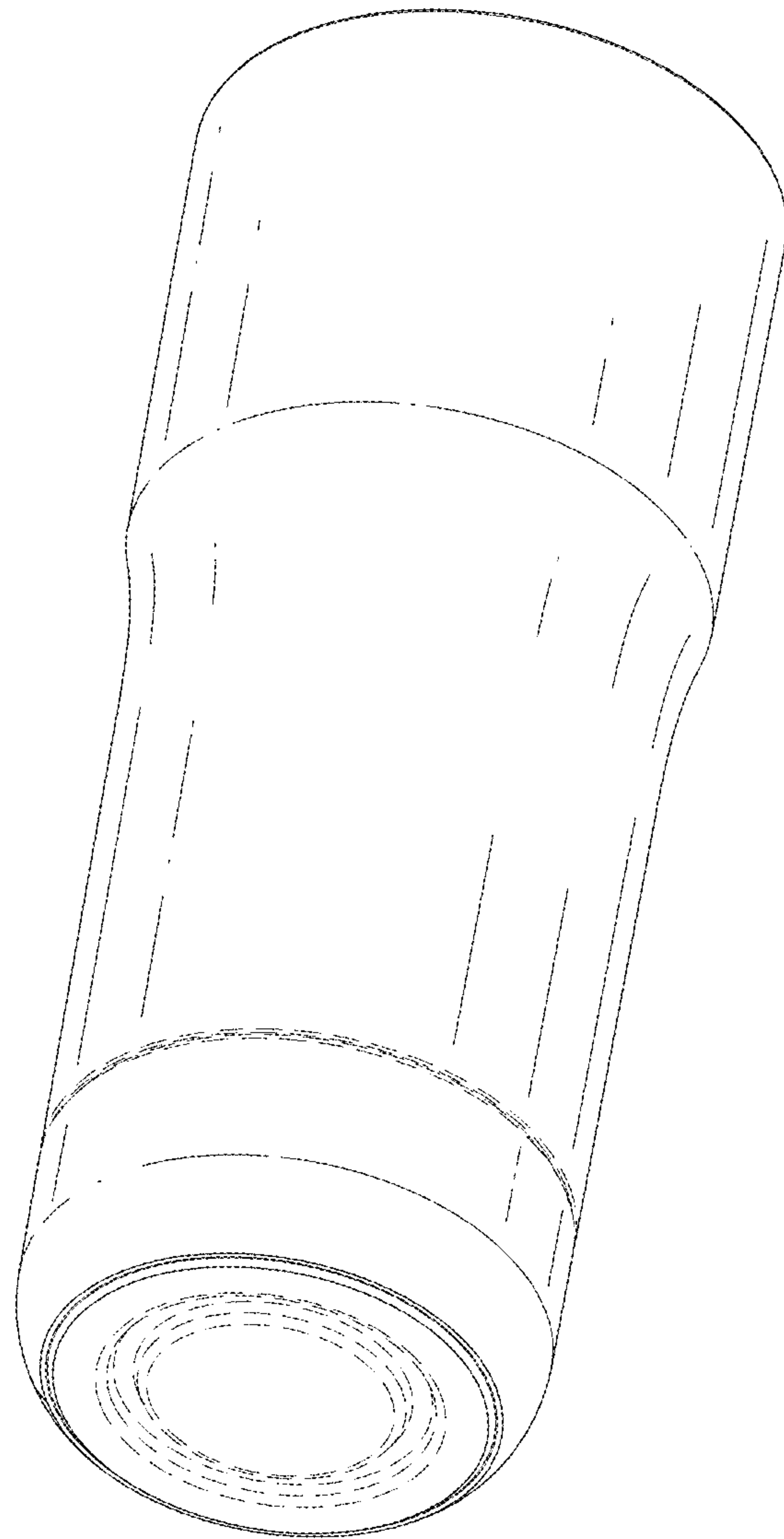


*FIG. 5*



*FIG. 6*





*FIG. 7*