



US00D770851S

(12) **United States Design Patent**  
**Herbst**

(10) **Patent No.:** **US D770,851 S**

(45) **Date of Patent:** **\*\* Nov. 8, 2016**

(54) **FOUR SIDED BOTTLE**

(71) Applicant: **O2COOL, LLC.**, Chicago, IL (US)

(72) Inventor: **Scot Herbst**, Santa Cruz, CA (US)

(73) Assignee: **O2COOL, LLC**, Chicago, IL (US)

(\*\*) Term: **14 Years**

(21) Appl. No.: **29/518,123**

(22) Filed: **Feb. 20, 2015**

(51) **LOC (10) Cl.** ..... **07-01**

(52) **U.S. Cl.**  
USPC ..... **D7/509**; D9/542; D9/560; D9/564;  
D9/565; D9/574

(58) **Field of Classification Search**  
USPC ..... D9/516, 520, 530, 541, 542, 559, 560,  
D9/564, 569, 571, 574, 575, 715, 719;  
D7/507, 509-511, 515, 601, 602,  
D7/619.1, 622  
CPC .... B65D 1/02; B65D 1/0223; B65D 23/102;  
B65D 2251/023; B65D 83/38  
See application file for complete search history.

(56) **References Cited**

**U.S. PATENT DOCUMENTS**

|               |         |                    |             |
|---------------|---------|--------------------|-------------|
| D229,889 S *  | 1/1974  | Brody .....        | D9/542      |
| D381,271 S *  | 7/1997  | Paoloski .....     | D9/500      |
| 5,971,184 A * | 10/1999 | Krishnakumar ..... | B65D 23/102 |
|               |         |                    | 215/379     |
| D447,697 S *  | 9/2001  | Schultz .....      | D9/542      |
| D468,645 S *  | 1/2003  | Nelson .....       | D9/560      |
| D493,368 S *  | 7/2004  | Goda .....         | D9/502      |
| D502,403 S *  | 3/2005  | Chirico .....      | D9/542      |
| D507,489 S *  | 7/2005  | Chirico .....      | D9/542      |
| D522,870 S *  | 6/2006  | Venkataraman ..... | D9/538      |

|              |         |                    |        |
|--------------|---------|--------------------|--------|
| D539,155 S * | 3/2007  | Steinmann .....    | D9/530 |
| D539,657 S * | 4/2007  | Webb .....         | D9/539 |
| D547,665 S * | 7/2007  | Lepoitevin .....   | D9/541 |
| D548,092 S * | 8/2007  | Klemm .....        | D9/520 |
| D551,984 S * | 10/2007 | La Kier .....      | D9/538 |
| D567,662 S * | 4/2008  | Feen .....         | D9/542 |
| D579,338 S * | 10/2008 | Hestehave .....    | D9/452 |
| D605,517 S * | 12/2009 | Caldwell .....     | D9/500 |
| D609,103 S * | 2/2010  | Marold .....       | D9/538 |
| D612,687 S * | 3/2010  | Gilbert .....      | D7/509 |
| D618,509 S * | 6/2010  | Aarnoudse .....    | D7/510 |
| D646,977 S * | 10/2011 | Martin .....       | D9/540 |
| D657,684 S * | 4/2012  | Venkataraman ..... | D9/541 |
| D661,196 S * | 6/2012  | Heisner .....      | D9/538 |
| D663,629 S * | 7/2012  | Finlay .....       | D9/570 |
| D720,622 S * | 1/2015  | Gelov .....        | D9/449 |

\* cited by examiner

*Primary Examiner* — Dana L Meyrow

*Assistant Examiner* — Keith Frank

(74) *Attorney, Agent, or Firm* — Thompson Coburn LLP

(57) **CLAIM**

I claim the ornamental design for a four sided bottle, as shown and described.

**DESCRIPTION**

FIG. 1 is a top right corner perspective view of the four sided bottle showing our new design;

FIG. 2 is a bottom left corner perspective view thereof;

FIG. 3 is a front view thereof;

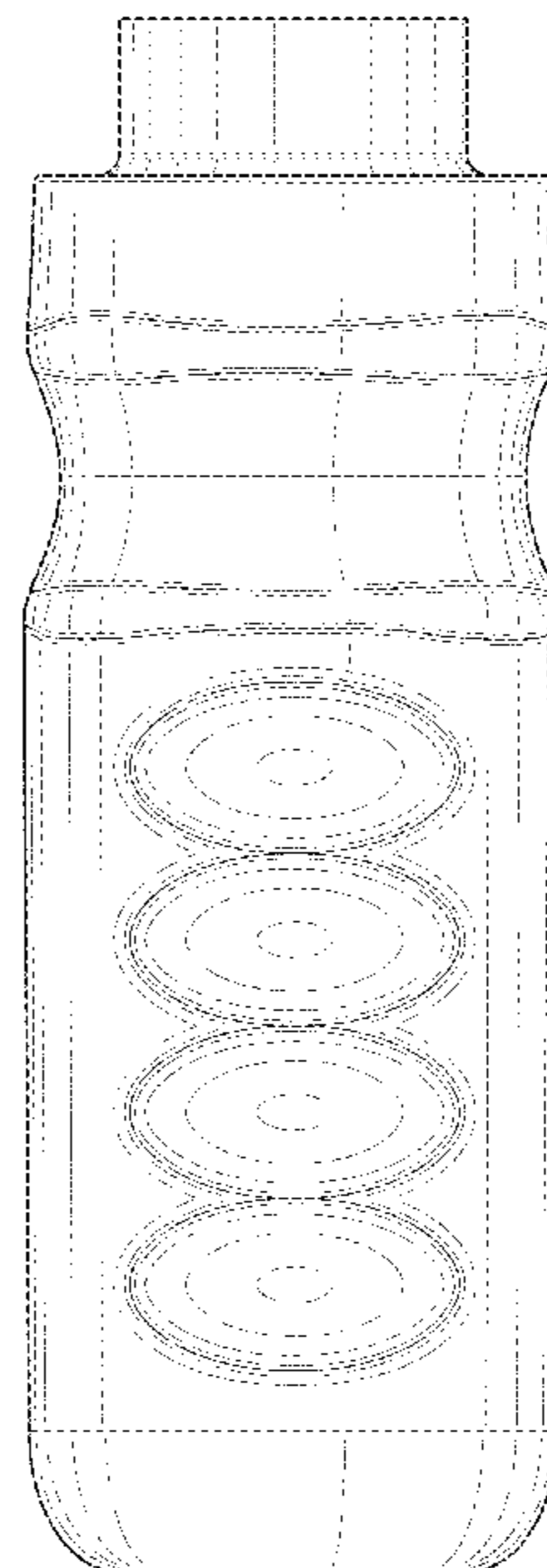
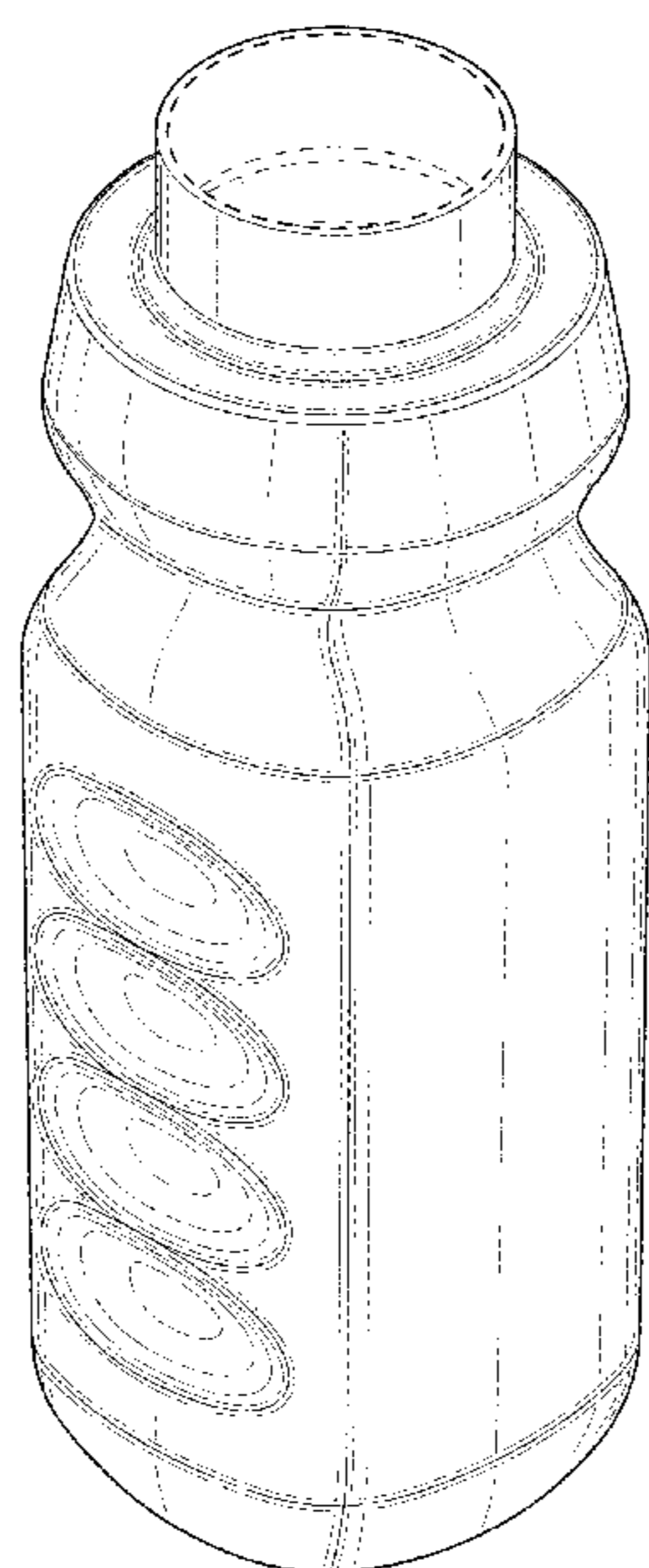
FIG. 4 is a right side view and the left side view is a mirror image thereof;

FIG. 5 is a top view thereof; and,

FIG. 6 is a bottom view thereof.

The broken lines in the drawings illustrate the portions of the bottle that form no part of the claimed design.

**1 Claim, 5 Drawing Sheets**



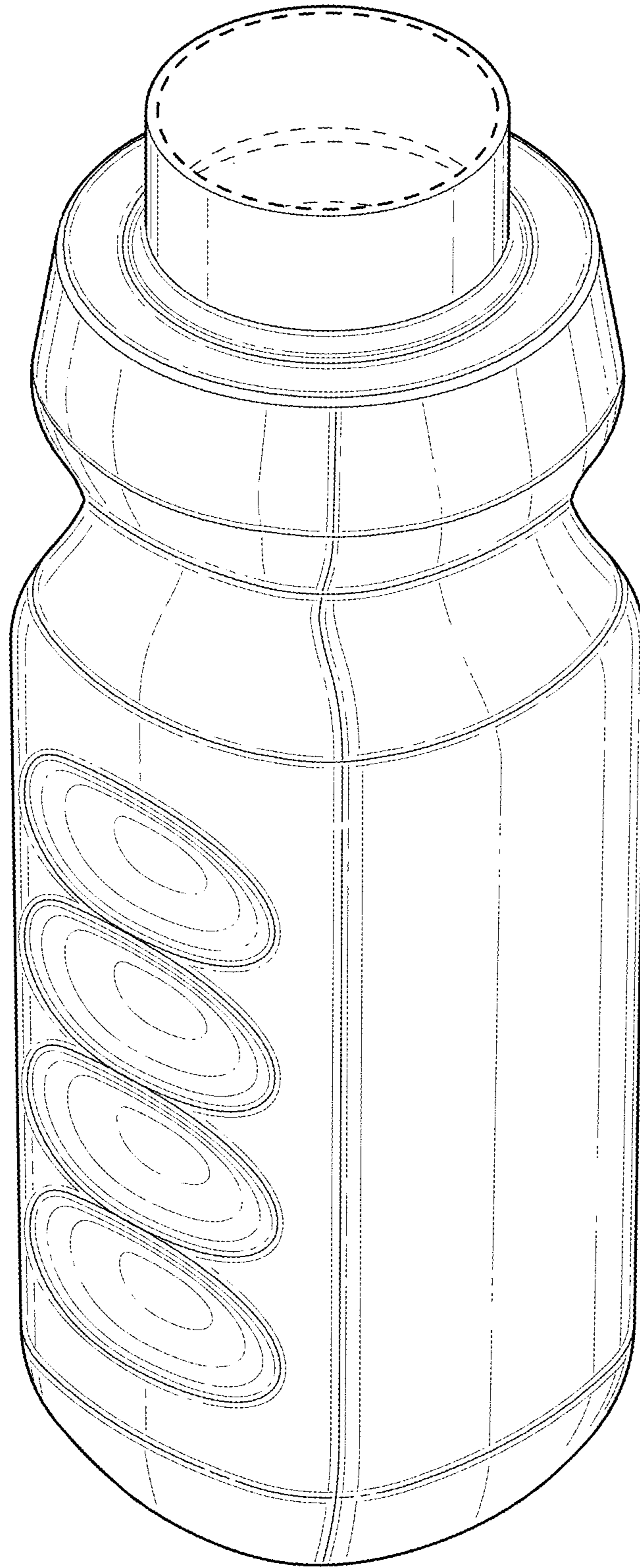


FIG. 1

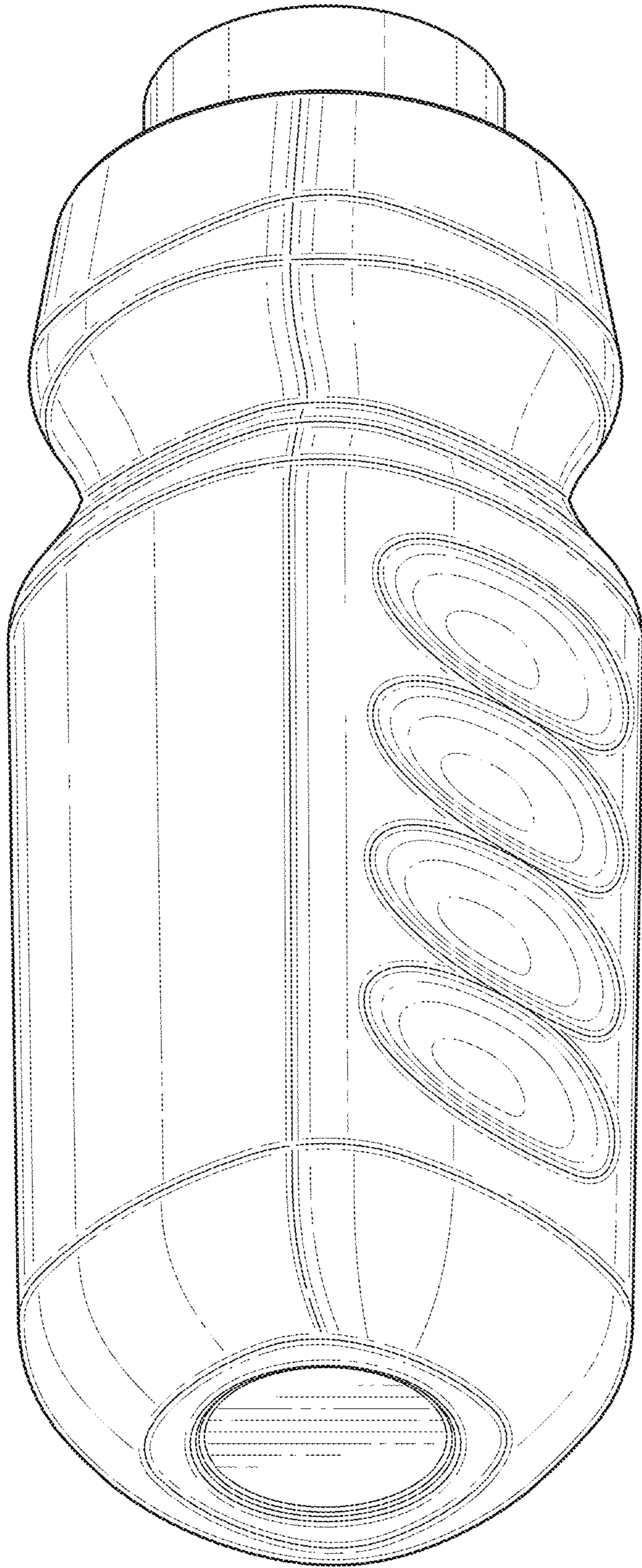


FIG. 2

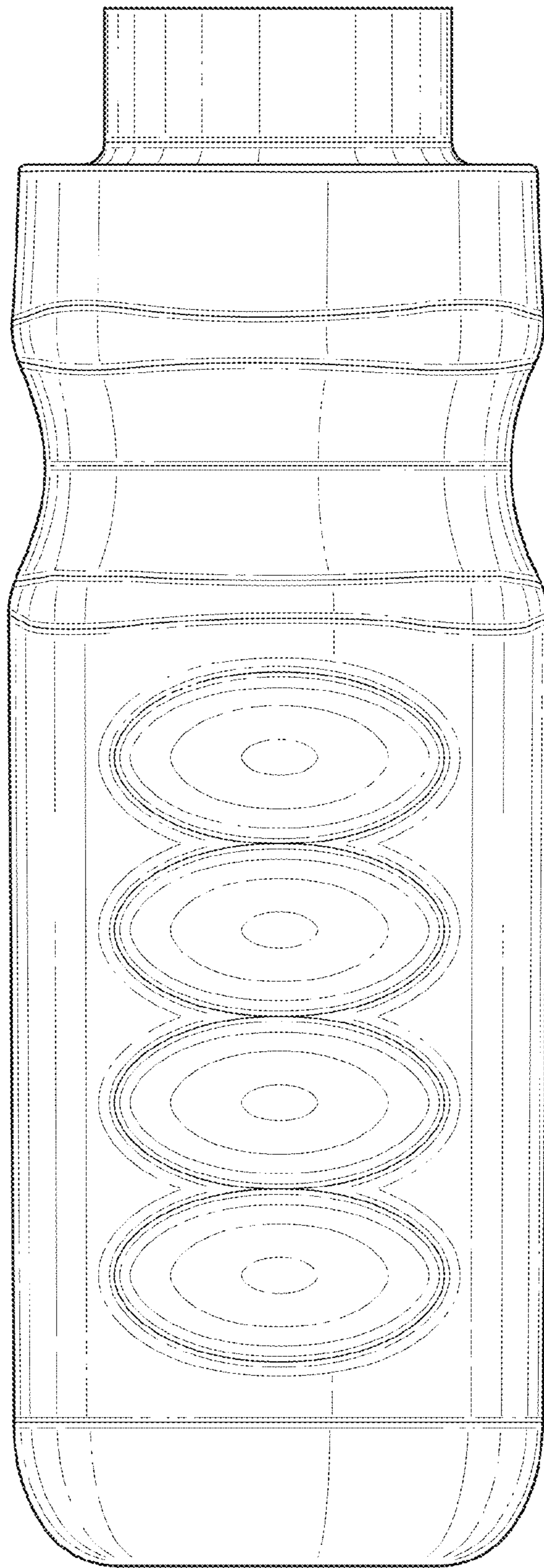


FIG. 3

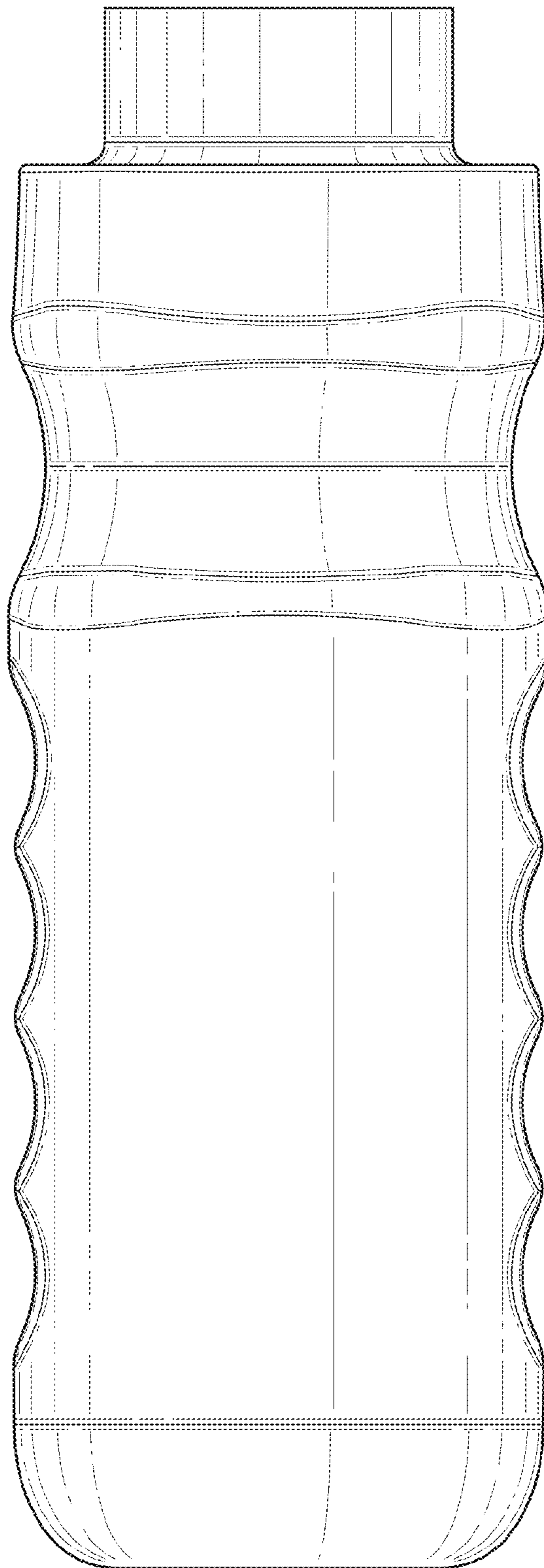
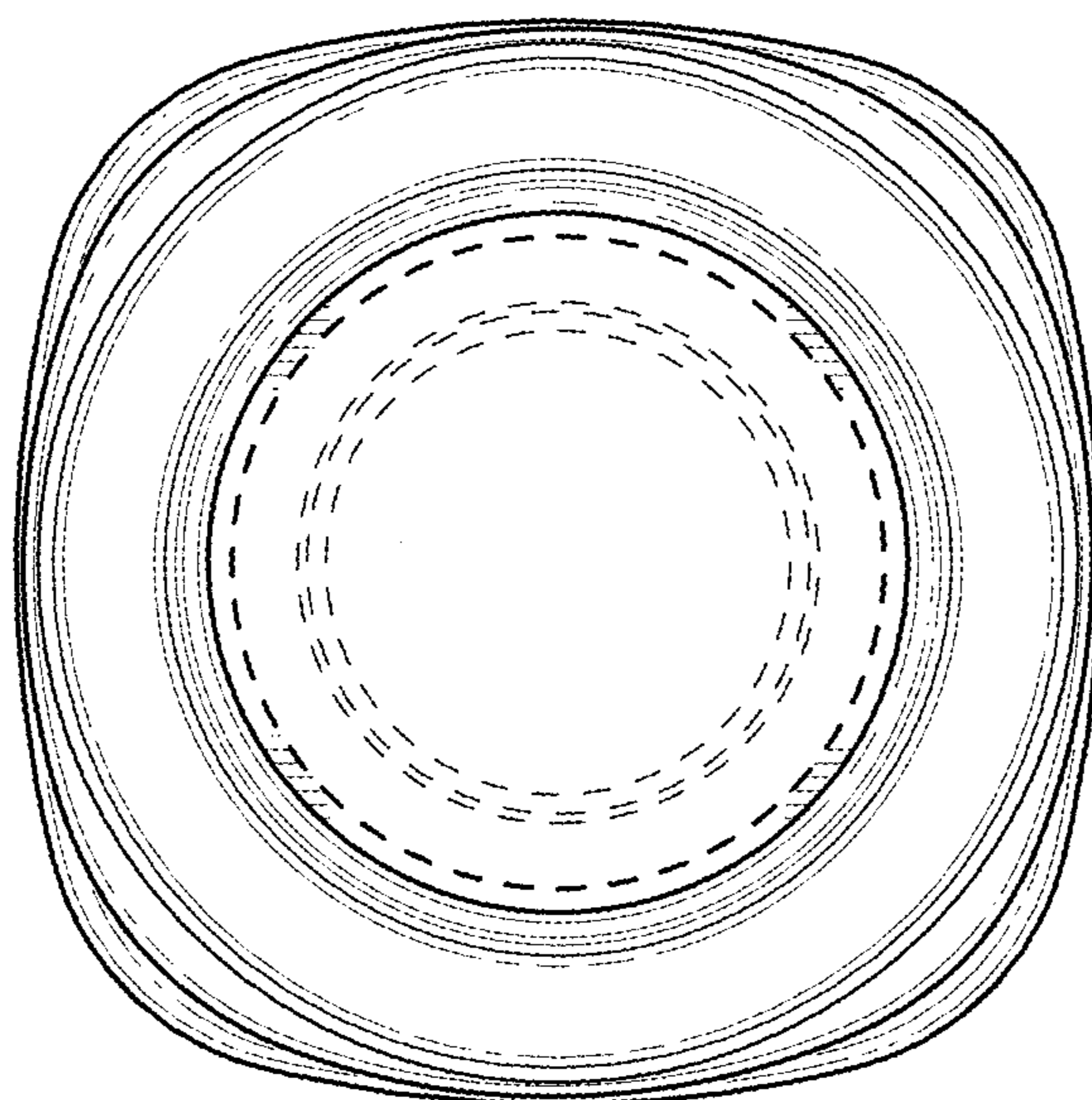
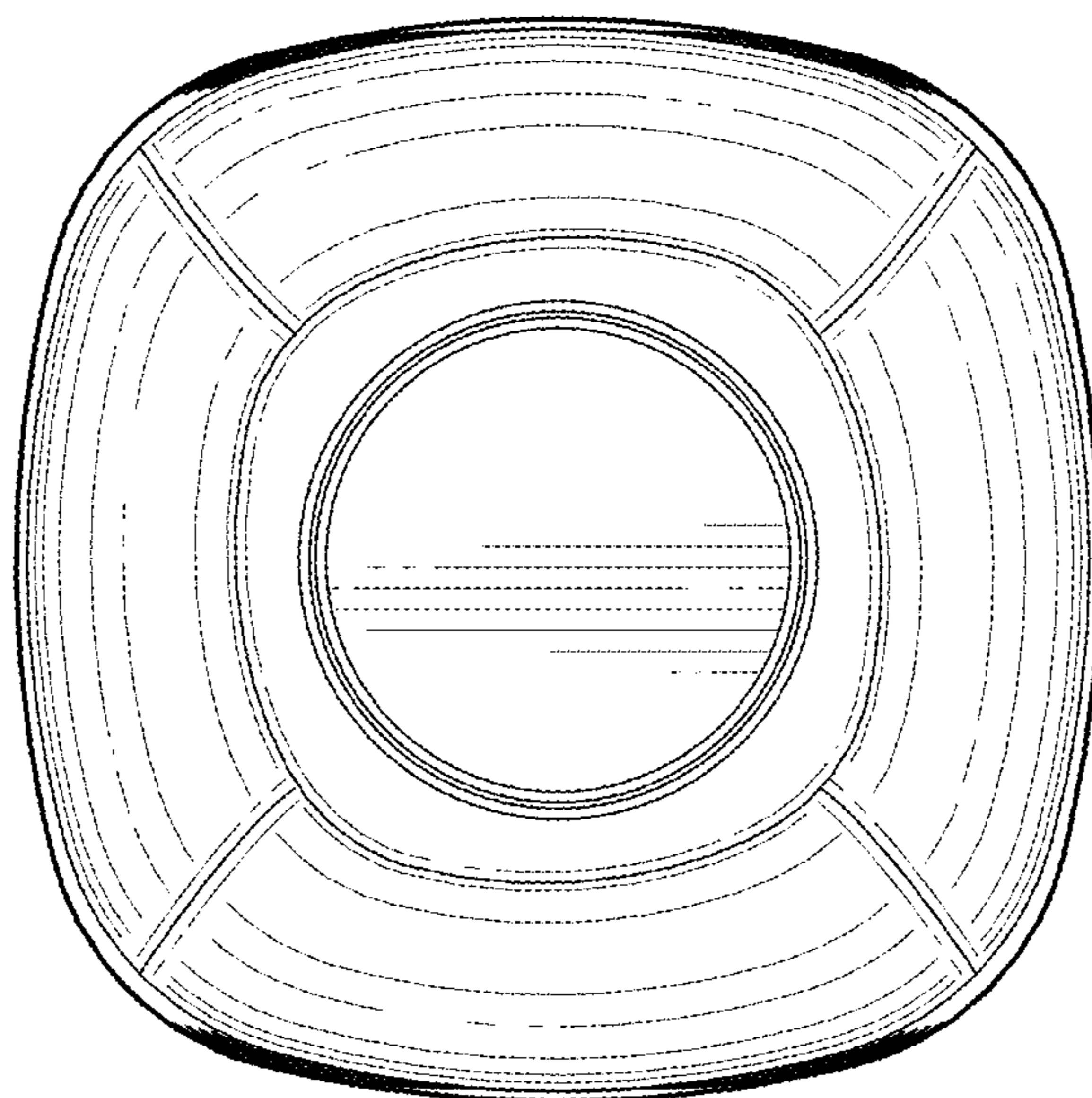


FIG. 4



**FIG. 5**



**FIG. 6**