



US00D770850S

(12) **United States Design Patent**
Keating

(10) **Patent No.:** **US D770,850 S**
(45) **Date of Patent:** **** Nov. 8, 2016**

(54) **KNIFE**

(71) Applicant: **TUESDAY MORNING PARTNERS, LTD.**, Dallas, TX (US)

(72) Inventor: **Daniel S. Keating**, Colorado Springs, CO (US)

(73) Assignee: **TUESDAY MORNING PARTNERS, LTD.**, Dallas, TX (US)

(**) Term: **15 Years**

(21) Appl. No.: **29/541,877**

(22) Filed: **Oct. 8, 2015**

(51) **LOC (10) Cl.** **07-03**

(52) **U.S. Cl.**

USPC **D7/401.2**; D7/649

(58) **Field of Classification Search**

USPC D7/393-395, 401.2, 642-652, 693, D7/695-696; D8/93, 97-100, 107, 300, D8/321; D22/117-118

CPC A01B 1/20; A01B 1/22; A22C 25/006; A47G 21/06; A47G 21/065; A47J 17/02; A61B 17/3211; A61B 17/3213; B21D 53/64; B25G 1/00; B25G 3/26; B25G 3/36; B26B 1/00; B26B 1/08; B26B 1/10; B26B 3/00; B26B 3/02; B26B 3/03; B26B 3/04; B26B 3/06; B26B 5/00; B26B 5/001; B26B 5/007; B26B 7/00; B26B 7/005; B26B 9/00; B26B 9/02; B26B 11/00; B26B 11/006; B26B 17/00; B26B 17/006; B26B 29/02

See application file for complete search history.

(56) **References Cited**

U.S. PATENT DOCUMENTS

495,110 A 4/1893 Hayes et al.
2,059,414 A * 11/1936 Taylor B26B 9/02
30/355

(Continued)

OTHER PUBLICATIONS

“Victorinox® Cutlery 3¼ inch Serrated Paring Knife with Red Nylon Handle”, printed from www.smkw.com/webapp/eCommerce/products/Victorinox/Victori...3-14%22+Serrated+Paring+Knife+with+Red+Nylon+Handle/V40603.html, publicly available at least as early as Sep. 14, 2015 (2 pages).

(Continued)

Primary Examiner — Ricky Pham

(74) *Attorney, Agent, or Firm* — Haynes and Boone, LLP

(57) **CLAIM**

The ornamental design for a knife, as shown and described.

DESCRIPTION

FIG. 1 is a front perspective view of a knife showing a first embodiment of our new design;

FIG. 2 is a right side view thereof, the left side view being a mirror image of the right side view;

FIG. 3 is a top view thereof;

FIG. 4 is a bottom view thereof;

FIG. 5 is a front view thereof; and

FIG. 6 is a rear view thereof.

FIG. 7 is a front perspective view of a knife showing a second embodiment of our new design.

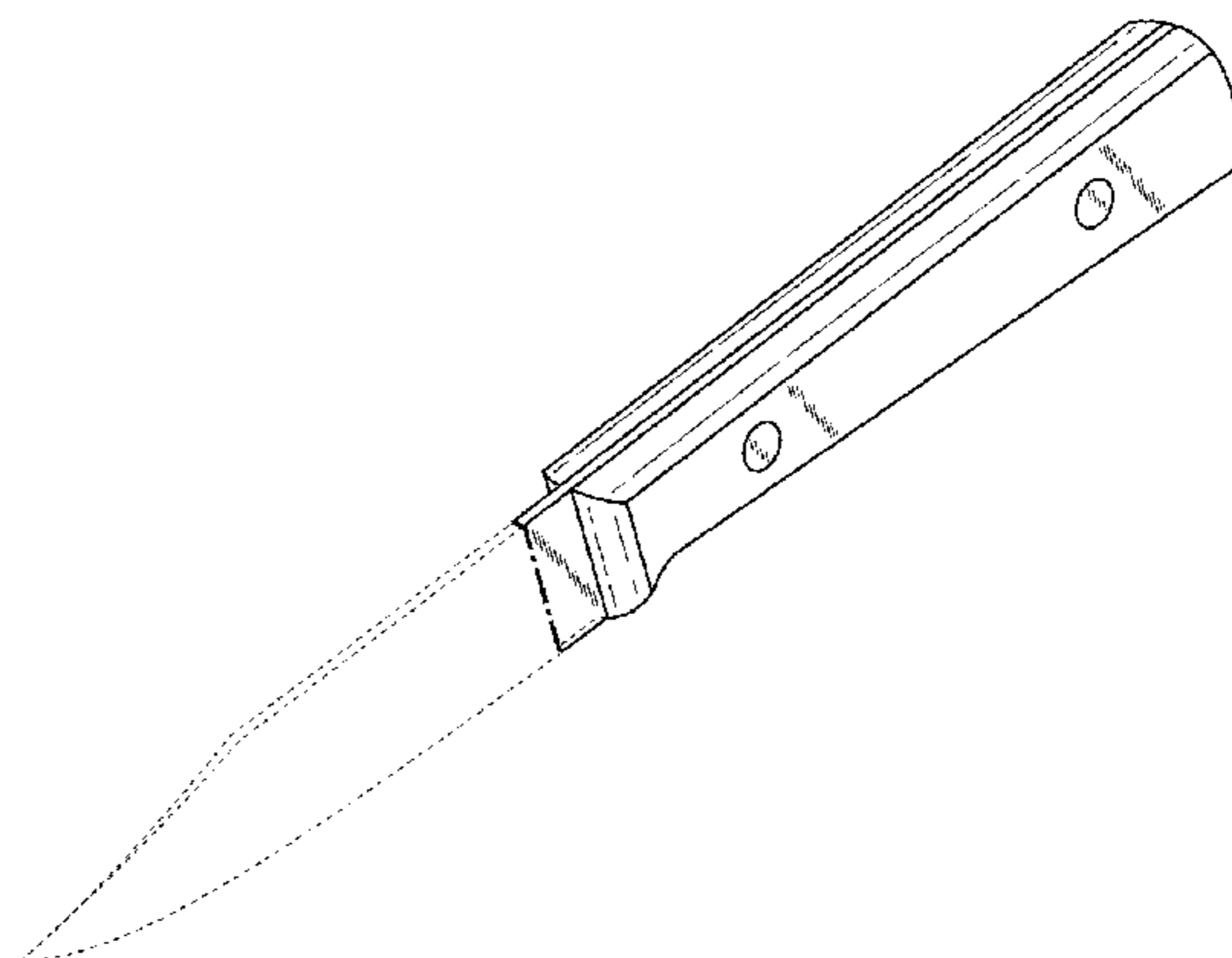
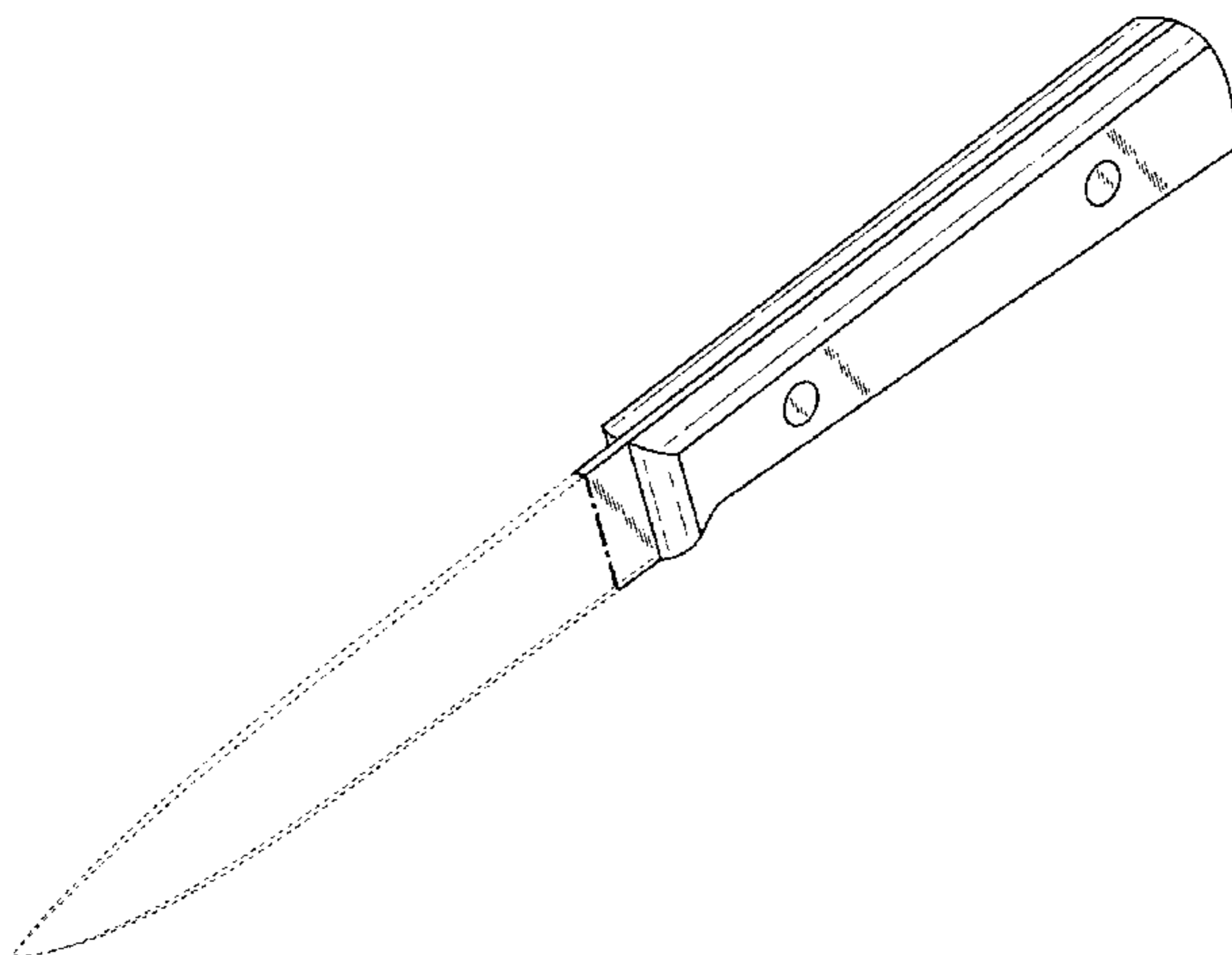
FIG. 8 is a front perspective view of a knife showing a third embodiment of our new design.

FIG. 9 is a front perspective view of a knife showing a fourth embodiment of our new design; and,

FIG. 10 is a front perspective view of a knife showing a fifth embodiment of our new design.

The features shown in broken lines are portions of the knife forming no part of the claimed design. The features shown in long dash-short dash bolded broken lines indicate the bounds of the claimed design and otherwise form no part of the claimed design. The claimed subject matter of the second through fifth embodiments of the new design as shown in FIGS. 7-10 is identical to the claimed subject matter of the first embodiment of the new design as shown in FIGS. 1-6.

1 Claim, 6 Drawing Sheets



(56)

References Cited

U.S. PATENT DOCUMENTS

2,142,137	A *	1/1939	Leary	B25G 1/00 30/340
2,153,759	A *	4/1939	Katzinger	A47J 17/02 30/295
2,492,096	A *	12/1949	Juengst	B25G 3/26 16/110.1
D178,453	S *	8/1956	Jorge	D7/649
2,825,968	A *	3/1958	Baer	B26B 9/02 30/355
3,205,575	A *	9/1965	Senkewitz	B26B 3/00 30/355
D211,681	S *	7/1968	Hopcraft	D7/652
D261,467	S	10/1981	Alessandrini et al.	
D266,735	S	11/1982	Hahn	
4,470,327	A	9/1984	Gerber, Jr. et al.	
D282,097	S	1/1986	Nativo	
D283,001	S	3/1986	Pashley et al.	
D289,357	S	4/1987	Bodfish	
D296,179	S	6/1988	Hagberg et al.	
D298,211	S	10/1988	Coburn	
D303,562	S	9/1989	Hahn	
5,081,770	A *	1/1992	Fierthaler	B26B 9/02 30/351
D400,059	S	10/1998	Cohen et al.	
D413,232	S	8/1999	Conner	
D445,313	S	7/2001	Jorge	
D455,937	S	4/2002	Huebner	
D458,510	S *	6/2002	Haataja	D7/395
D512,607	S	12/2005	Bodum	
D539,616	S	4/2007	Taylor et al.	
D546,135	S	7/2007	Ricks	
D553,916	S *	10/2007	Ono	D7/649
D557,081	S *	12/2007	Hadj-Chikh	D7/649
D633,345	S	3/2011	Ranieri	
D643,258	S	8/2011	Spiegel	
D643,263	S	8/2011	Spiegel	
D693,186	S	11/2013	Hollinger	
D694,065	S	11/2013	Levy et al.	
D704,009	S	5/2014	Wandrup	
D706,085	S *	6/2014	Tarrerias	D7/649
D730,117	S	5/2015	Hiltenbrand	

OTHER PUBLICATIONS

“Wusthof Classic Paring Knives”, printed from www.cutleryandmore.com/wusthof-classic/paring-knife-p1561, publicly available at least as early as Feb. 19, 2015, per <http://web.archive.org> (3 pages).
 “290 mm Plastic Handle Butcher Knife”, printed from www.alibaba.com/product-detail/290mm-Plastic-handle-butcher-knife_808687106.html, publicly available at least as early as Sep. 4, 2015 (5 pages).
 “Staysharp Triple Rivet Paring Knife”, printed from www.wiltshire.com.au/staysharp-triple-rivet-paring-knife-9cm, publicly available at least as early as 2013 (4 pages).
 “Opinel Paring Knife Four Piece Set”, printed from www.opticsplanet.com/opinel-paring-knife-four-piece-set.html, publicly available at least as early as Sep. 14, 2015 (6 pages).
 “Robert Class (Germany) Paring Knife”, printed from <http://global.rakuten.com/en/store/ohishi-co-ltd/item/10001141/>, publicly available at least as early as Sep. 4, 2015 (2 pages).
 “Green River High Carbon Steel Paring Knives”, printed from www.ebay.com/itm/Green-River-High-Carbon-Steel-paring-Knives-/320945108299, publicly available at least as early as Sep. 30, 2013 (3 pages).
 “Pro Series 3.5 inch Paring Knife”, printed from <https://ergochef.com/proddetail.asp?prod=J1435>, publicly available at least as early as Sep. 4, 2015 (2 pages).
 “Color Plastic Handle Paring Knife”, printed from www.alibaba.com/product-detail/Color-plastic-handle-paring-knife_1407530752.html, publicly available at least as early as Sep. 4, 2015 (5 pages).
 “Classical Wooden Handle Steel Toe Paring Knife”, printed from www.alibaba.com/product-detail/Classical-wooden-handle-steel-toe-paring_834861168.html, publicly available at least as early as Sep. 4, 2015 (5 pages).
 “Chefs Colorful Paring Knives”, printed from www.amazon.com/CHEFS-Essentials-90006-Colorful-Paring/dp/B0000DZDFP, publicly available at least as early as Jan. 16, 2004 (5 pages).

* cited by examiner

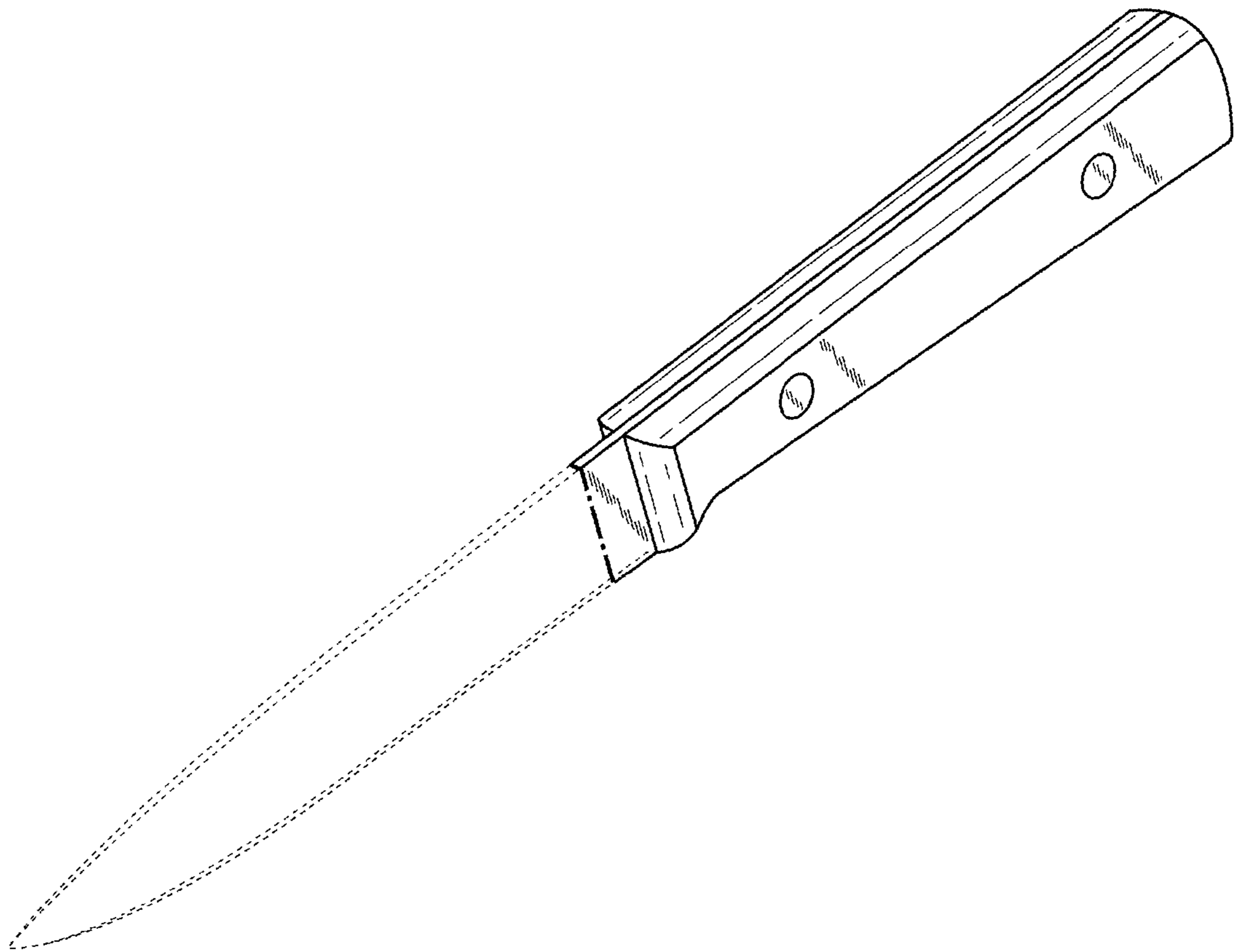


FIG. 1

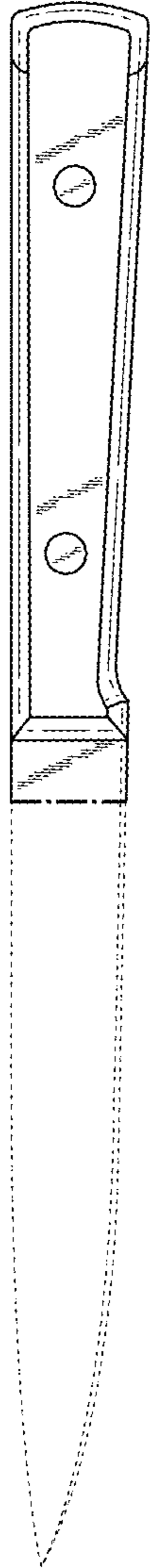


FIG. 2

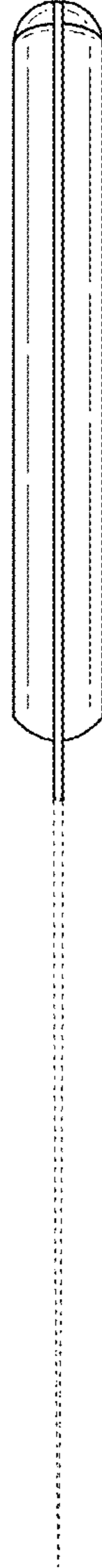


FIG. 3

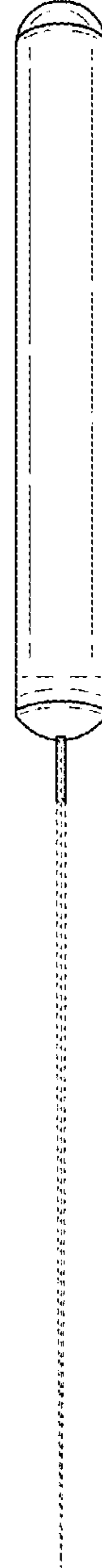


FIG. 4

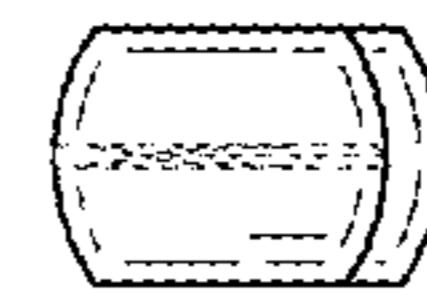


FIG. 5

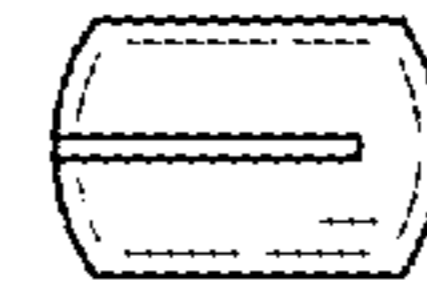


FIG. 6

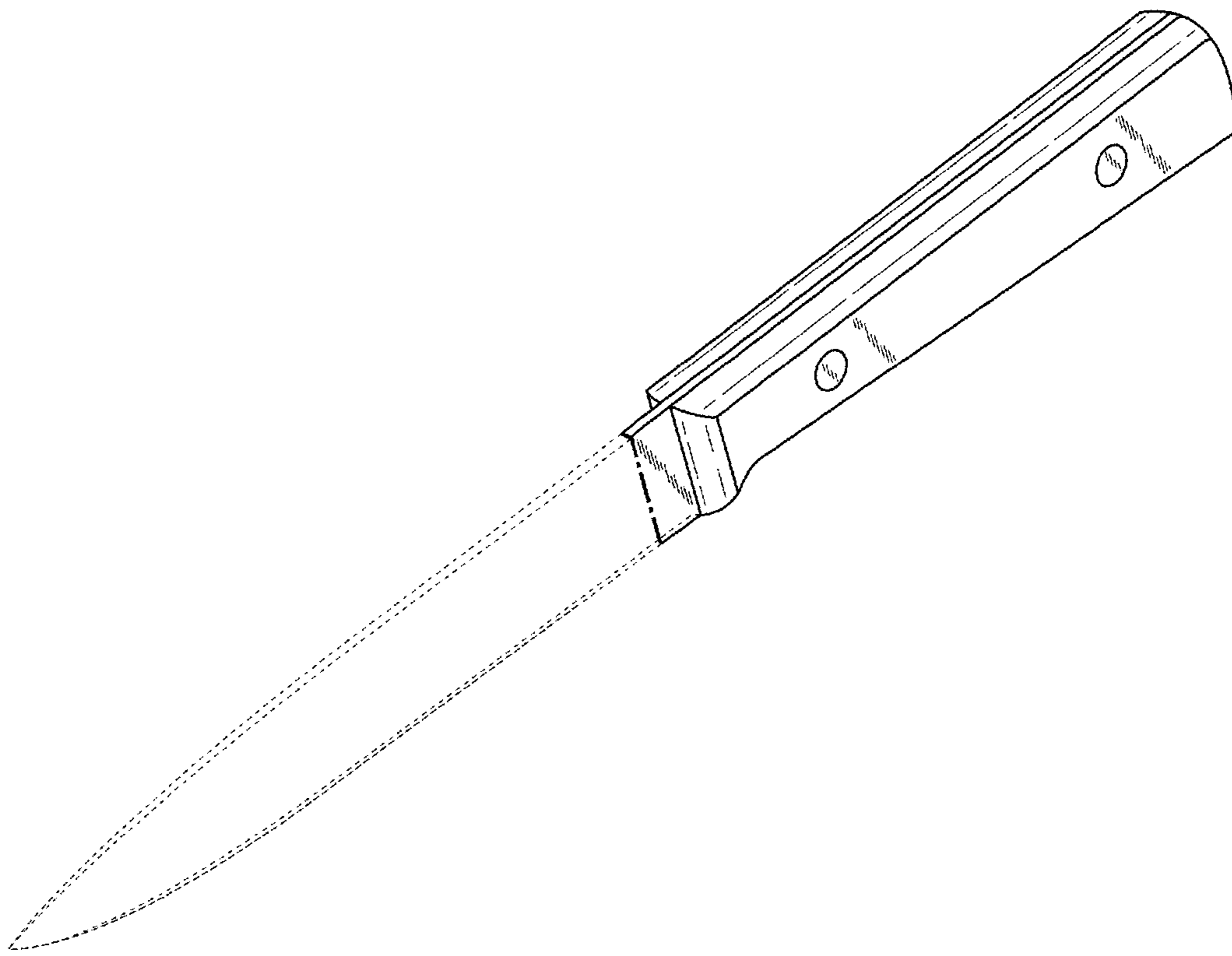


FIG. 7

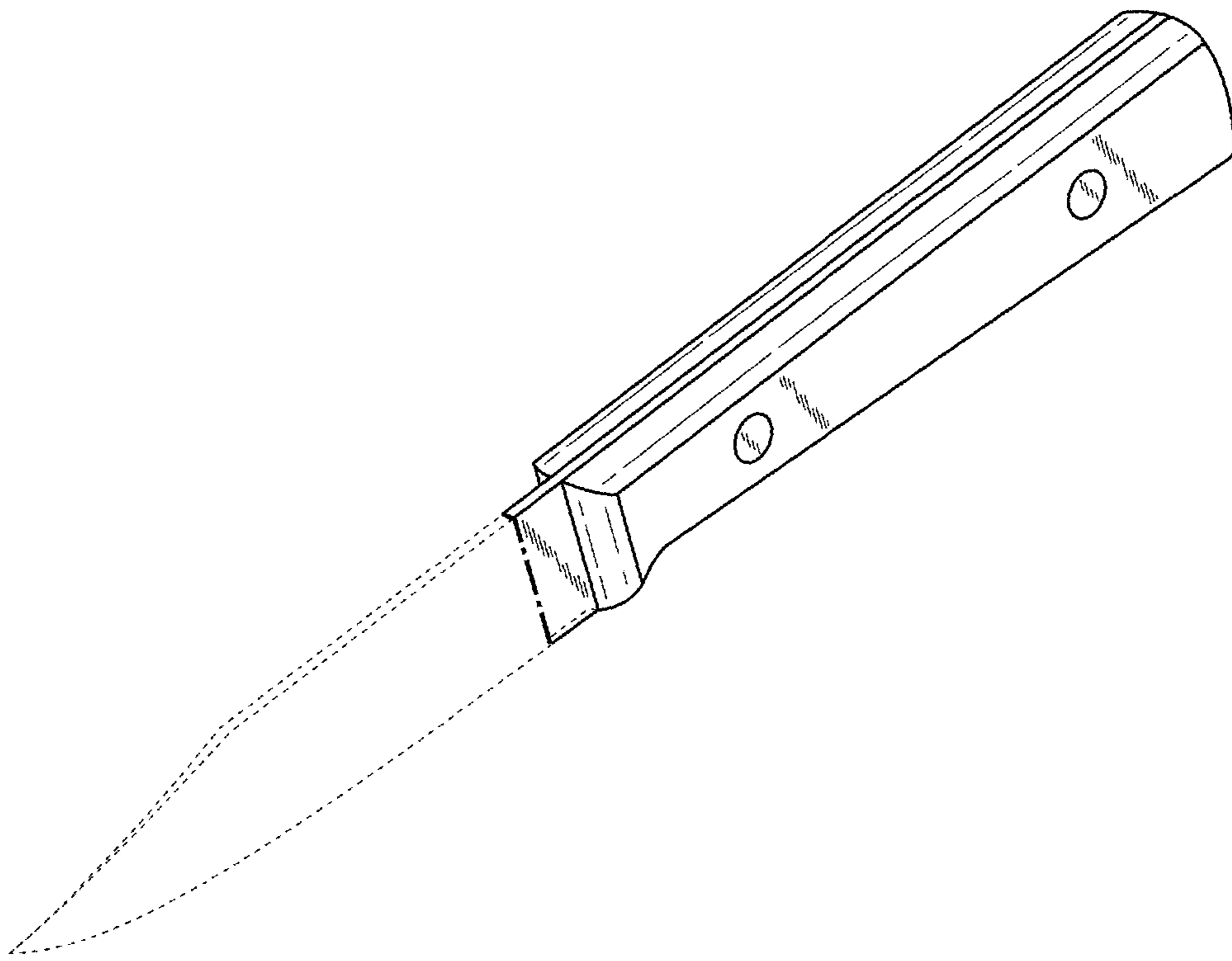


FIG. 8

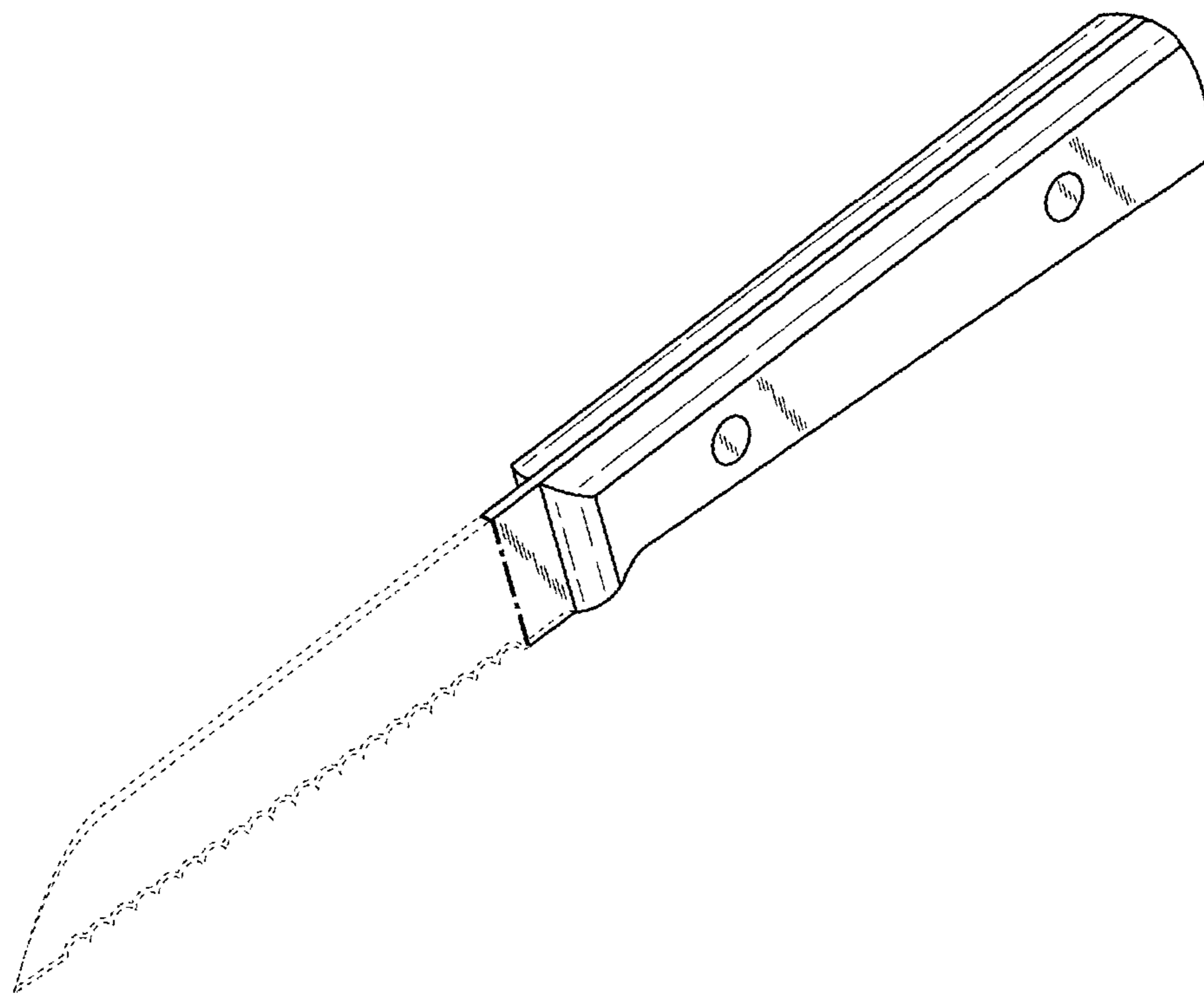


FIG. 9

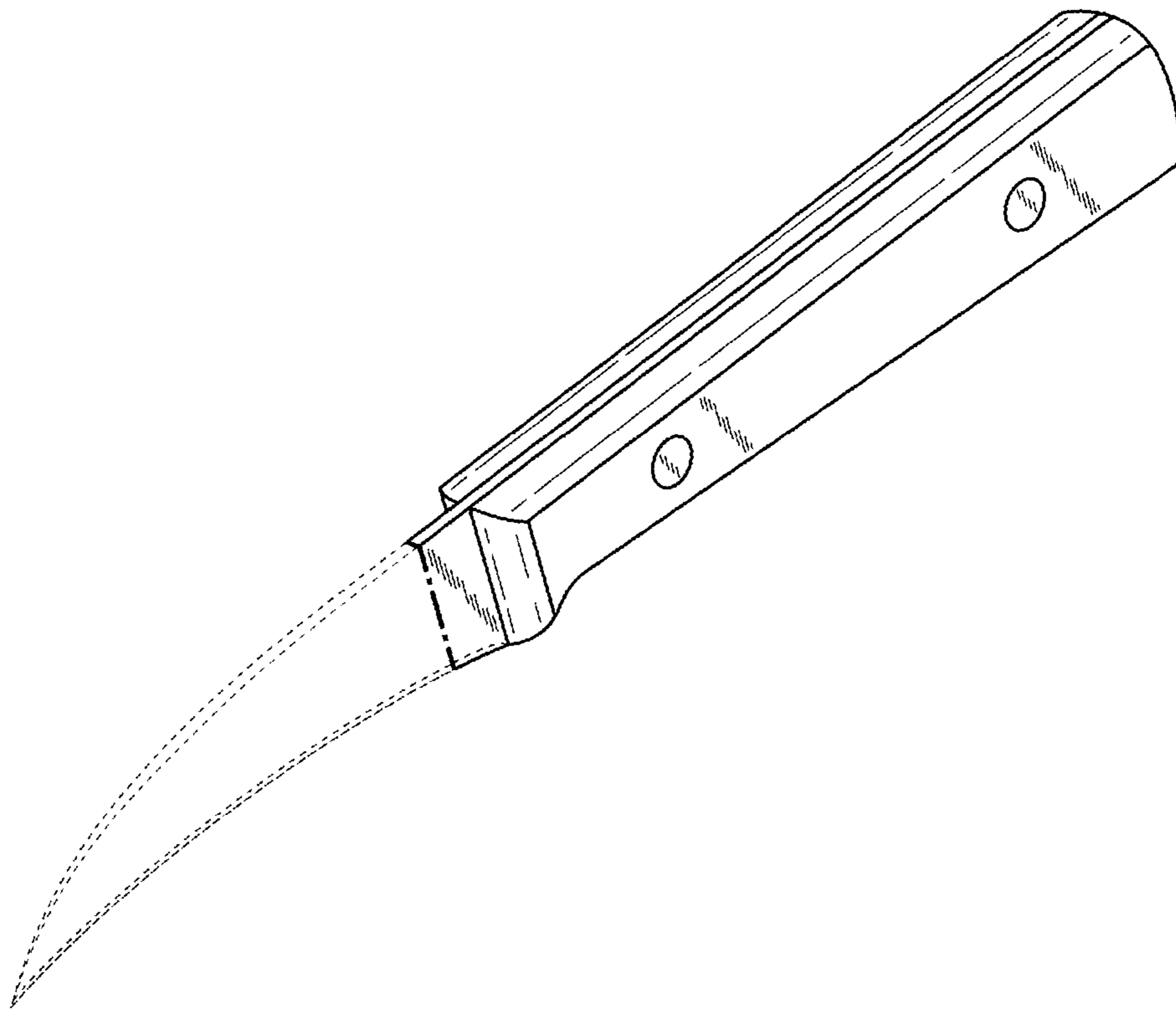


FIG. 10