



US00D770846S

(12) **United States Design Patent** (10) **Patent No.:** **US D770,846 S**  
**Bueno** (45) **Date of Patent:** **\*\* Nov. 8, 2016**

(54) **SPARKLING MACHINE**  
(71) Applicant: **SPARKLING DRINK SYSTEMS INNOVATION CENTER INTERNATIONAL SAS**, Boulogne Billancourt (FR)  
(72) Inventor: **Serge Bueno**, Boulogne Billancourt (FR)  
(73) Assignee: **SPARKLING DRINK SYSTEMS INNOVATION CENTER INTERNATIONAL SAS**, Boulogne Billancourt (FR)

(\*\*) Term: **15 Years**

(21) Appl. No.: **29/527,615**

(22) Filed: **May 20, 2015**

(30) **Foreign Application Priority Data**

Nov. 21, 2014 (CN) ..... 2014 3 0465069

(51) **LOC (10) Cl.** ..... **31-00**

(52) **U.S. Cl.**  
USPC ..... **D7/376; D7/378; D7/379**

(58) **Field of Classification Search**  
USPC ..... D7/372, 376-386, 412-413, 602, 629, D7/665-666, 669, 679, 693-694  
CPC ..... A21C 1/02; A21C 1/04; A23N 1/00; A23N 1/02; A47J 43/04; A47J 43/25; A47J 43/27; A47J 43/042; A47J 43/044; A47J 43/046; A47J 43/0705; A47J 43/075; A47J 43/0722; A47J 43/0727; B01F 3/00; B01F 3/0807; B01F 3/0853; B01F 13/04; B01F 13/0059; B01F 13/0064; B02C 1/08; B02C 2/04; B02C 4/42; B02C 4/142; B02C 4/143; B02C 4/423; B02C 13/1835; B28C 5/10; B28C 5/12; B28C 5/14; B28C 5/16

See application file for complete search history.

(56) **References Cited**

U.S. PATENT DOCUMENTS

D111,616 S *	10/1938	Rosengren	.....	D7/379
D180,952 S *	9/1957	Kaempf	.....	D7/379
D322,010 S *	12/1991	Doggett	.....	D10/2
5,660,469 A *	8/1997	Seguin	.....	B01F 13/04 366/347
D400,759 S *	11/1998	Doggett	.....	D7/379
D468,581 S *	1/2003	Short	.....	D7/379
D499,604 S *	12/2004	Hooper	.....	D7/376
D530,146 S *	10/2006	Ball	.....	D7/379
D540,113 S *	4/2007	Short	.....	D7/376
D584,916 S *	1/2009	Christou	.....	D7/376
D615,348 S *	5/2010	Huang	.....	D7/376
D654,304 S *	2/2012	Bodum	.....	D7/376
2002/0181322 A1 *	12/2002	Brunswick	.....	A47J 43/0705 366/197

\* cited by examiner

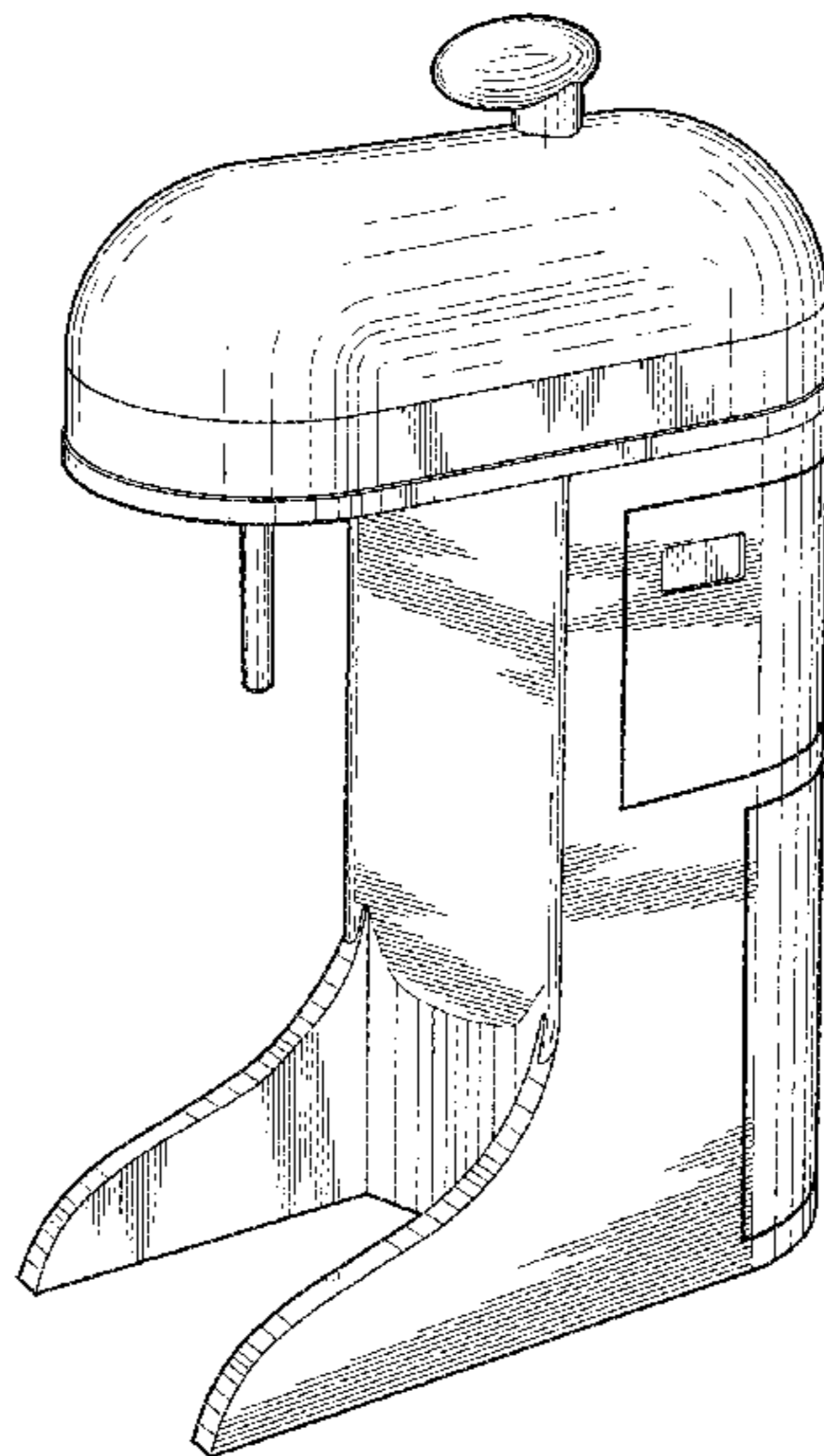
*Primary Examiner* — Ricky Pham  
(74) *Attorney, Agent, or Firm* — Oblon, McClelland, Maier & Neustadt, L.L.P.

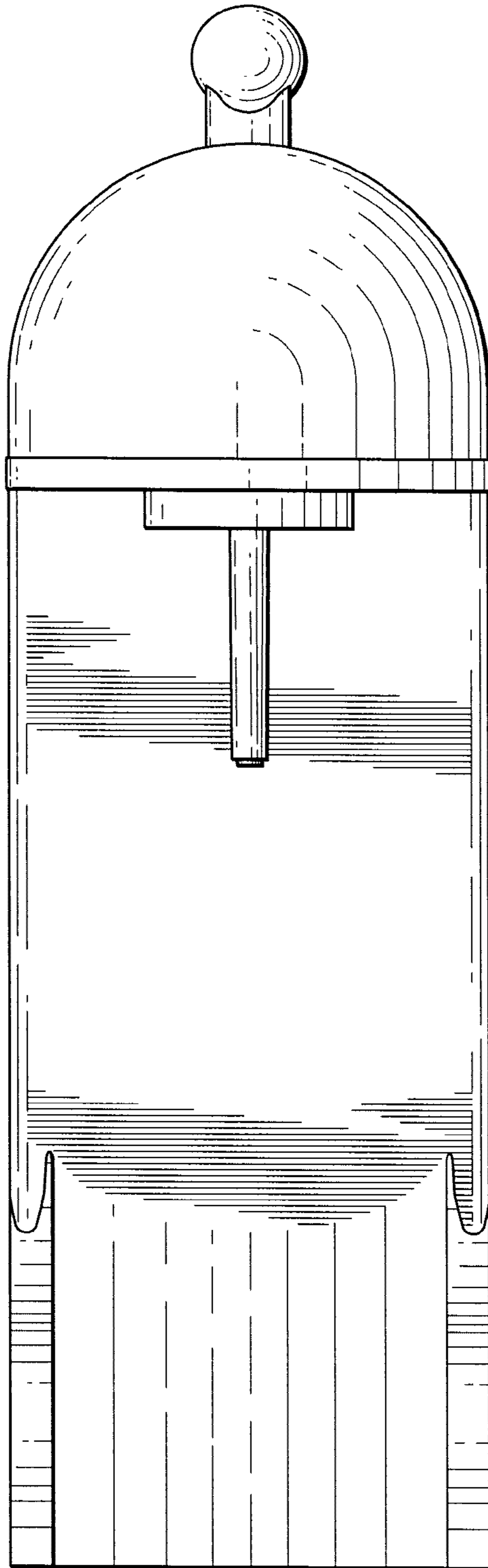
(57) **CLAIM**  
The ornamental design for a sparkling machine, as shown and described.

**DESCRIPTION**

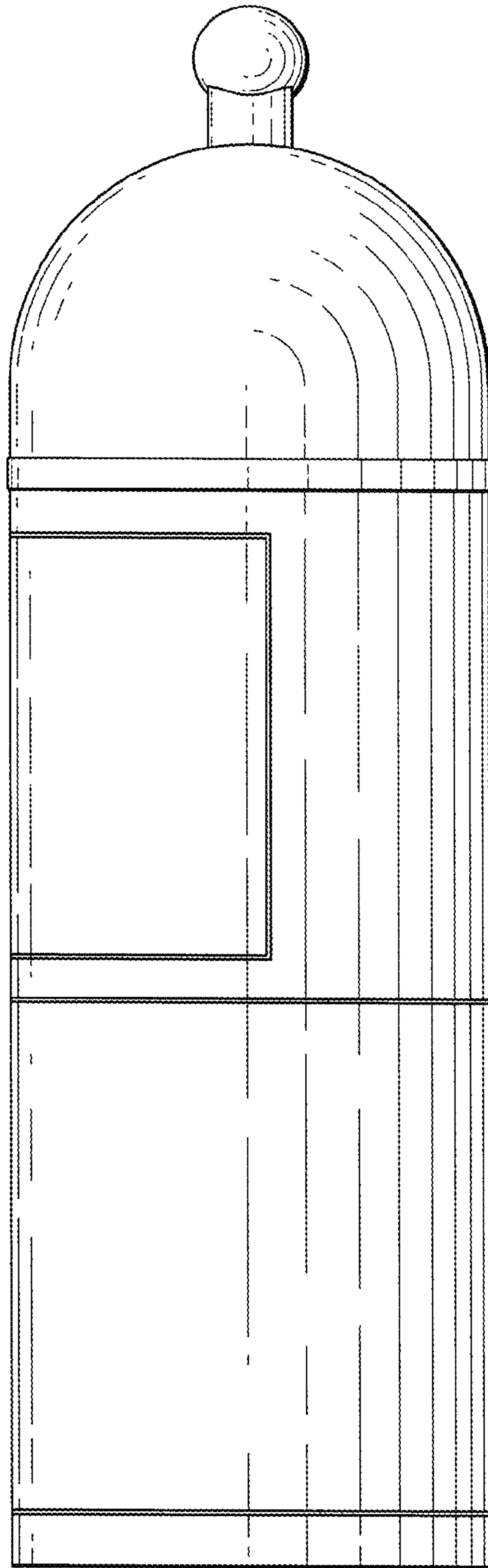
FIG. 1 is a front elevational view of a sparkling machine according to my design;  
FIG. 2 is a rear elevational view thereof;  
FIG. 3 is a left side elevational view thereof;  
FIG. 4 is a right side elevational view thereof;  
FIG. 5 is a top elevational view thereof;  
FIG. 6 is a bottom elevational view thereof; and,  
FIG. 7 is a front, right perspective view.  
Any dashed lines in the drawings depict unclaimed subject matter and form no part of the claimed design.

**1 Claim, 7 Drawing Sheets**

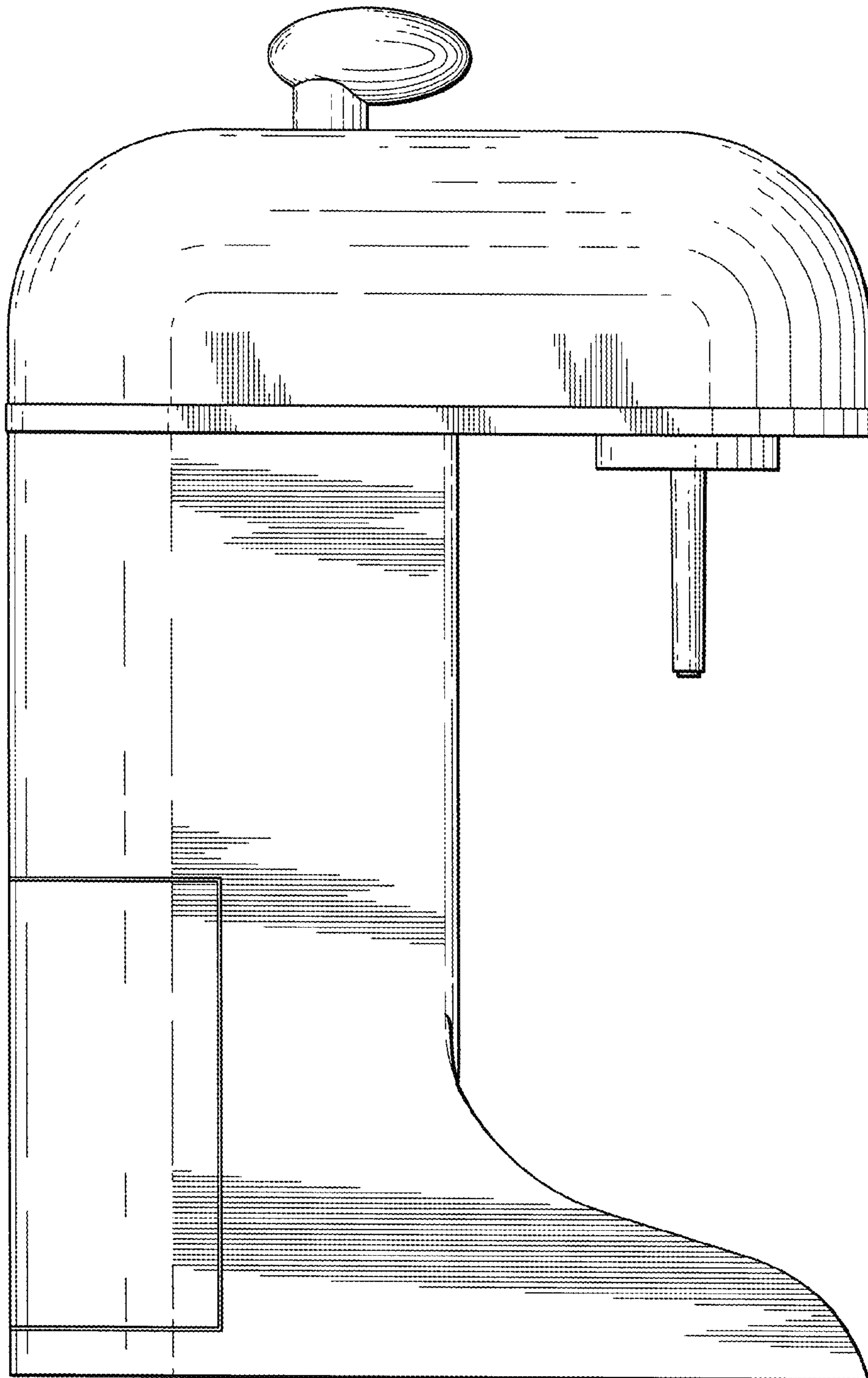




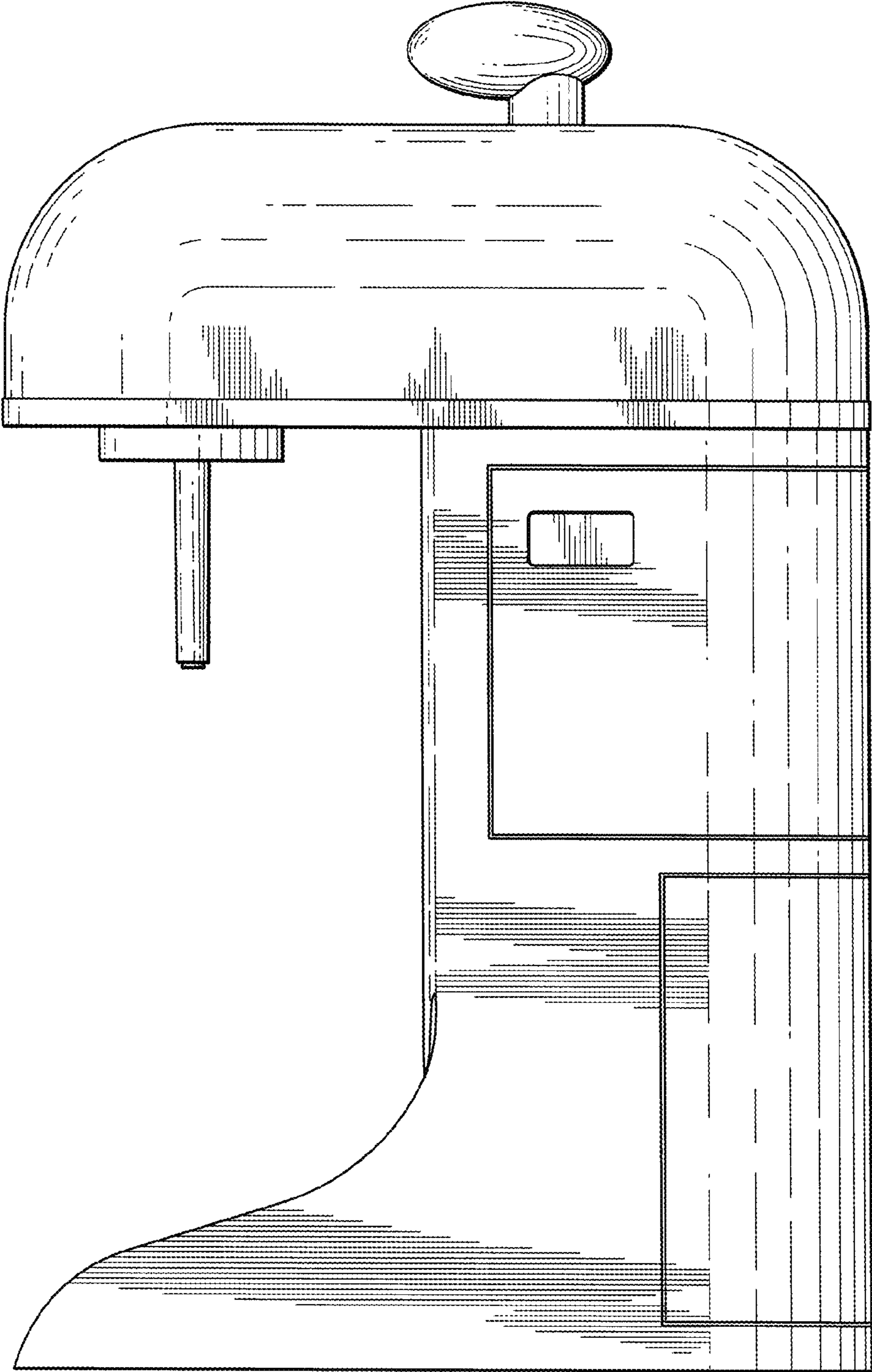
*Fig. 1*



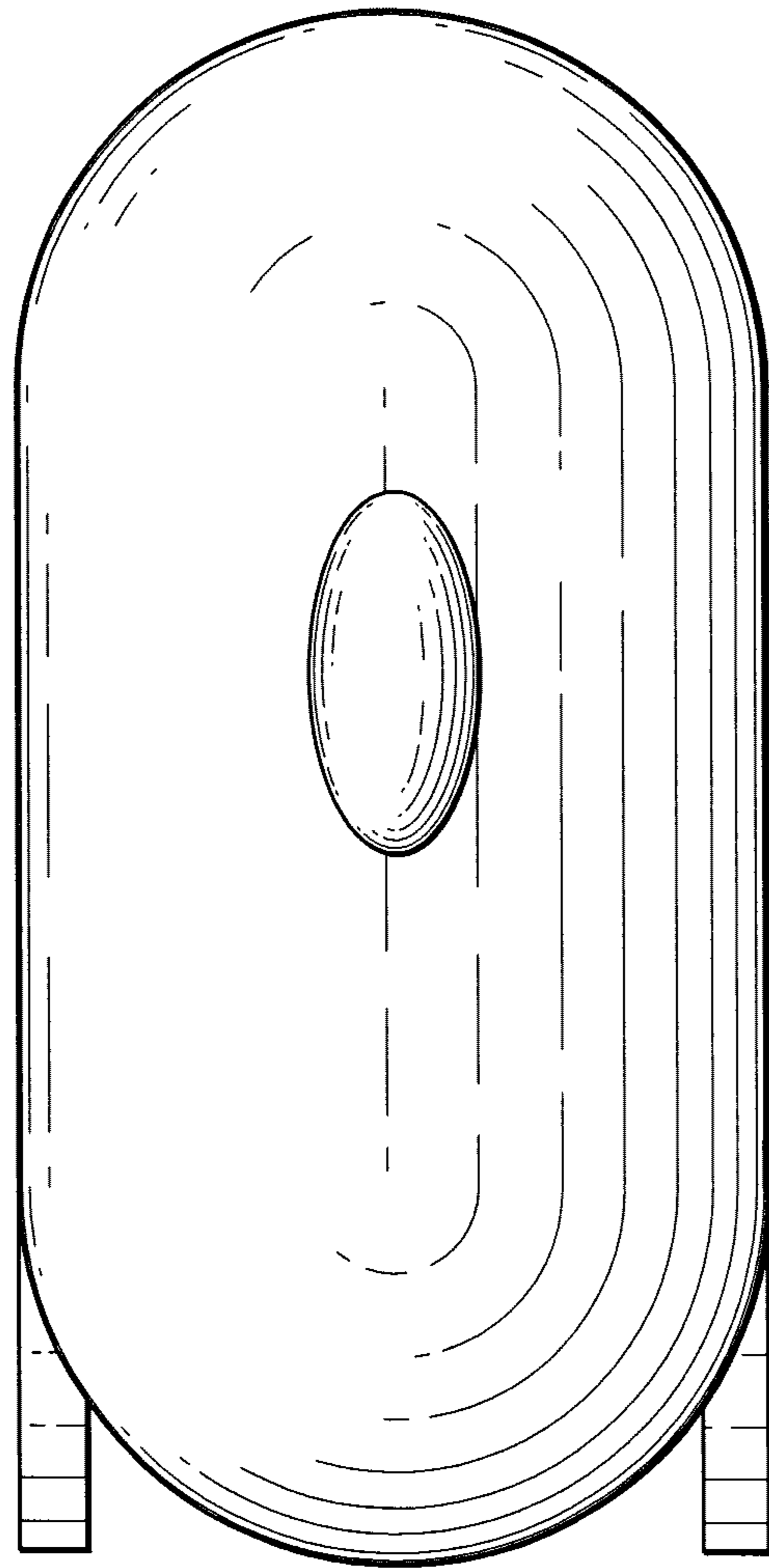
***Fig. 2***



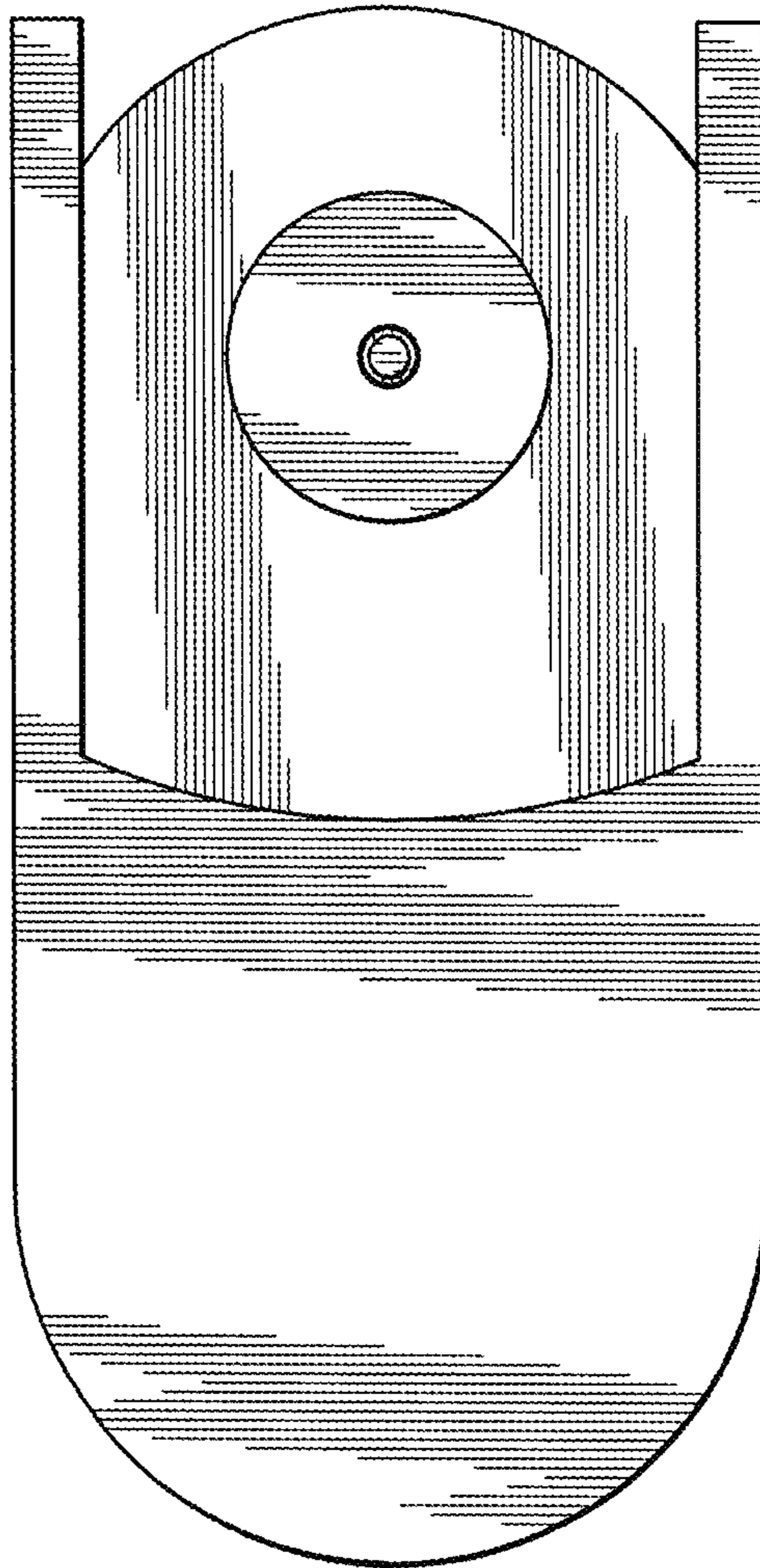
*Fig. 3*



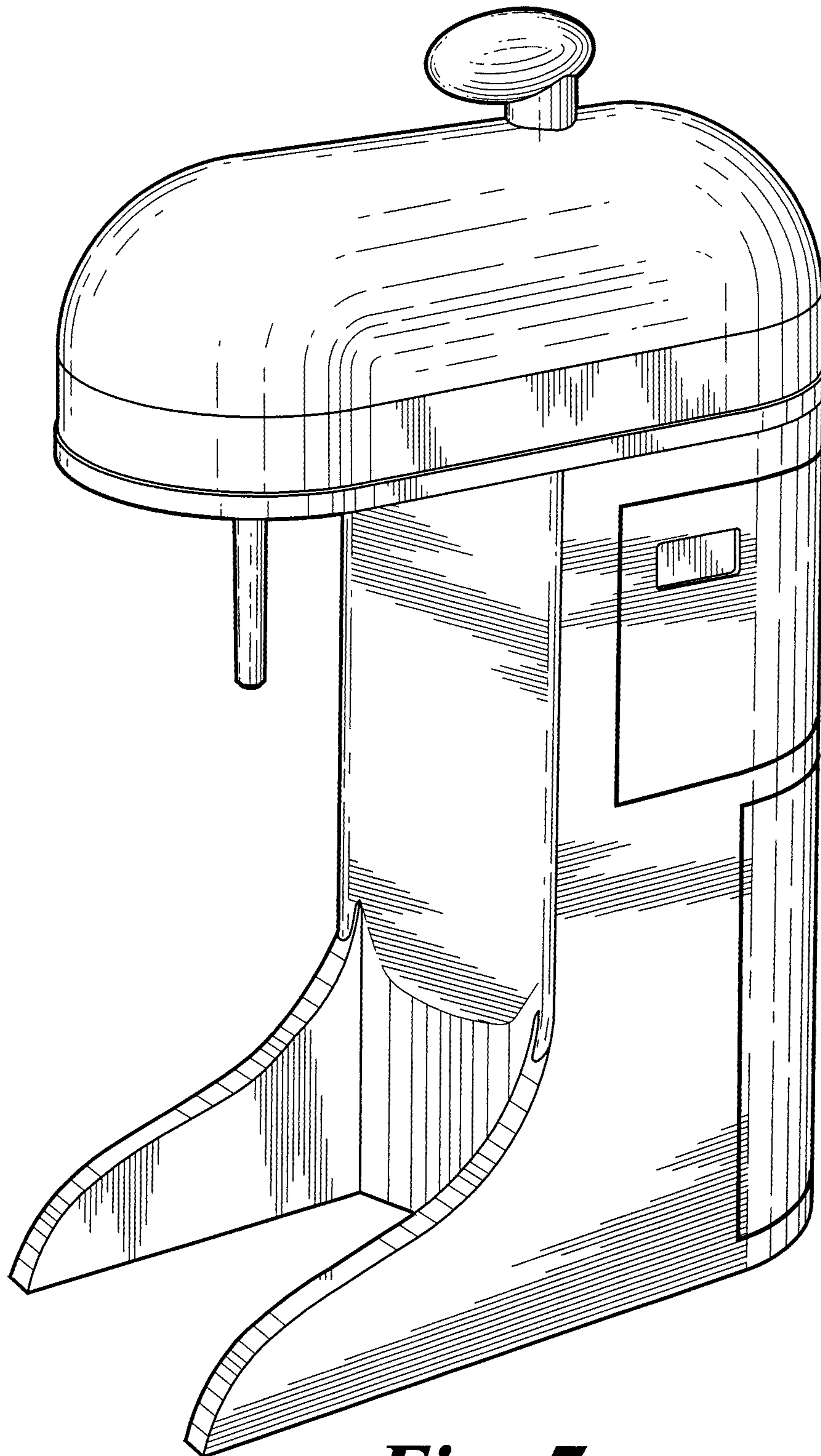
**Fig. 4**



***Fig. 5***



*Fig. 6*



***Fig. 7***