



US00D770845S

(12) **United States Design Patent** (10) **Patent No.:** **US D770,845 S**
Quinn (45) **Date of Patent:** **** *Nov. 8, 2016**

(54) **COVERED COOKWARE CONTAINER**

(71) Applicant: **Meyer Intellectual Properties Ltd.,**
Kowloon (HK)

(72) Inventor: **Jason Quinn,** Tokyo (JP)

(73) Assignee: **Meyer Intellectual Properties Ltd.,**
Kowloon (HK)

(*) Notice: This patent is subject to a terminal disclaimer.

(**) Term: **14 Years**

(21) Appl. No.: **29/509,267**

(22) Filed: **Nov. 14, 2014**

Related U.S. Application Data

(63) Continuation-in-part of application No. 29/475,683,
filed on Dec. 5, 2013, now Pat. No. Des. 734,976.

(51) **LOC (10) Cl.** **07-02**

(52) **U.S. Cl.**
USPC **D7/360; D7/354**

(58) **Field of Classification Search**
USPC D7/323, 354-363, 391, 393-396, 409,
D7/538, 542, 608, 629
CPC A47G 19/12; A47J 27/00; A47J 27/002;
A47J 27/08; A47J 27/21; A47J 27/58;
A47J 35/025; A47J 36/06; A47J 36/12;
A47J 37/00; A47J 37/10; A47J 37/101;
A47J 37/103; A47J 37/12; A47J 37/1204;
A47J 45/061; A47J 45/065; A47J 45/071;
A47J 45/08; H05B 6/12
See application file for complete search history.

(56) **References Cited**

U.S. PATENT DOCUMENTS

D336,596 S * 6/1993 Osgood D7/542
D530,564 S * 10/2006 Chiba D7/360

(Continued)

Primary Examiner — Ricky Pham

(74) *Attorney, Agent, or Firm* — Edward S. Sherman

(57) **CLAIM**

The ornamental design for a covered cookware container, as shown and described.

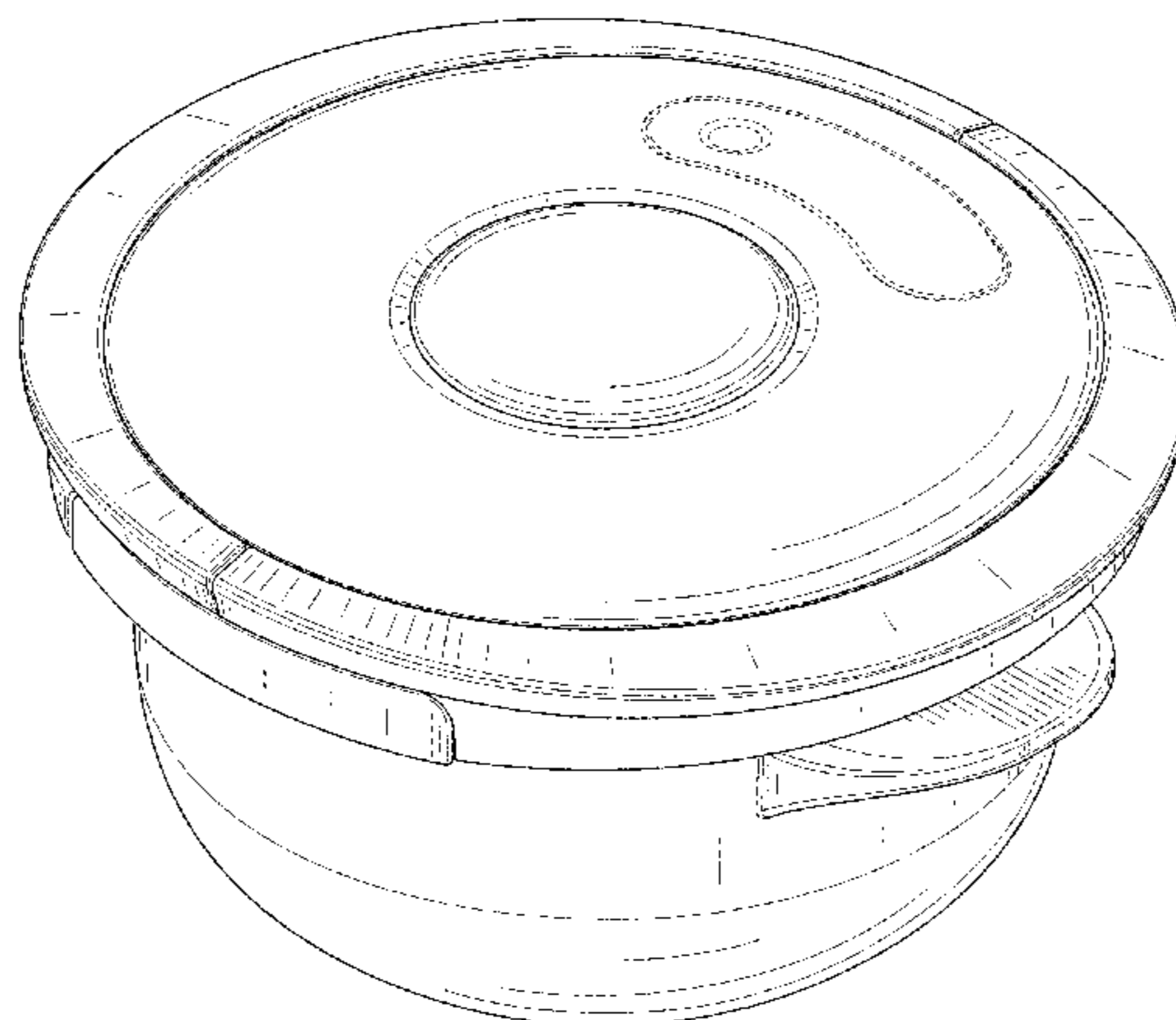
DESCRIPTION

FIG. 1 is a perspective view of a first embodiment of the “covered cookware container”, showing my new design; FIG. 2 is an exploded perspective view thereof, in which the cover is separated from the container; FIG. 3 is a front elevation thereof; FIG. 4 is a rear elevation view thereof; FIG. 5 is a right side elevation view thereof; FIG. 6 is a left side elevation view thereof; FIG. 7 is a top plan view thereof; FIG. 8 is a bottom plan view thereof; FIG. 9 is a right side elevation view of the container, the left side elevation view being the mirror image thereof; FIG. 10 is a front side elevation view of the container, the rear side elevation view being the mirror image thereof; FIG. 11 is a top plan view of the container; FIG. 12 is a bottom plan view of the cover; FIG. 13 is a perspective view of a second embodiment of the “covered cookware container”, showing my new design; FIG. 14 is an exploded perspective view thereof, in which the cover is separated from the container; FIG. 15 is a front elevation thereof; FIG. 16 is a rear elevation view thereof; FIG. 17 is a right side elevation view thereof; FIG. 18 is a left side elevation view thereof; FIG. 19 is a top plan view thereof; FIG. 20 is a bottom plan view thereof; FIG. 21 is a right side elevation view of the container, the left side elevation view being the mirror image thereof; FIG. 22 is a front side elevation view of the container, the rear side elevation view being the mirror image thereof; FIG. 23 is a top plan view of the container; and, FIG. 24 is a bottom plan view of the cover.

The second embodiment is illustrated with a grey region in the central portion of the cover of the container to indicate a contrasting appearance with adjacent portions of the cover and not grey or any specific color or other aspect of a contrasting appearance.

The broken lines in FIGS. 1-2, 4-7, 13-14, and 16-19 do not form a part of the claimed design. The dot dash broken lines in FIGS. 5, 6, 8, 9, 12, 17, 18, 20, 22 and 24 represent the boundary of the claimed design.

1 Claim, 18 Drawing Sheets



(56)

References Cited

U.S. PATENT DOCUMENTS

D557,972 S * 12/2007 Ablo D7/354
D571,155 S * 6/2008 Plante D7/538
D575,114 S * 8/2008 Moghavem D7/629
D577,549 S * 9/2008 Plante D7/538
D582,218 S * 12/2008 Curtin D7/540

D625,149 S * 10/2010 Stamper D7/538
D634,583 S * 3/2011 Bernardaud D7/538
D667,273 S * 9/2012 Henry D7/542
D673,807 S * 1/2013 Grider D7/391
D734,976 S * 7/2015 Quinn D7/354
2005/0145615 A1 * 7/2005 Schaffeld A47J 45/065
219/440

* cited by examiner

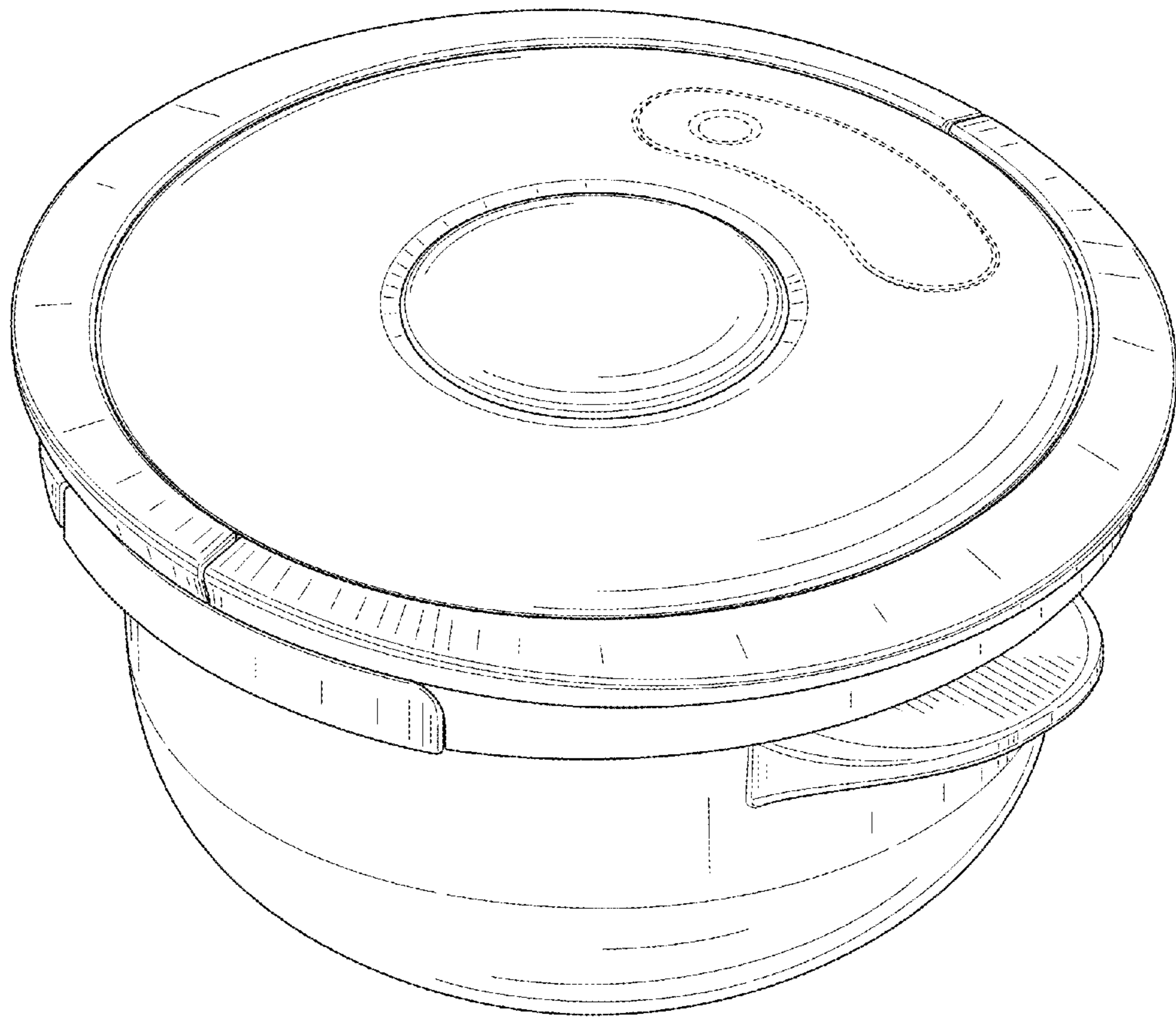


FIG. 1

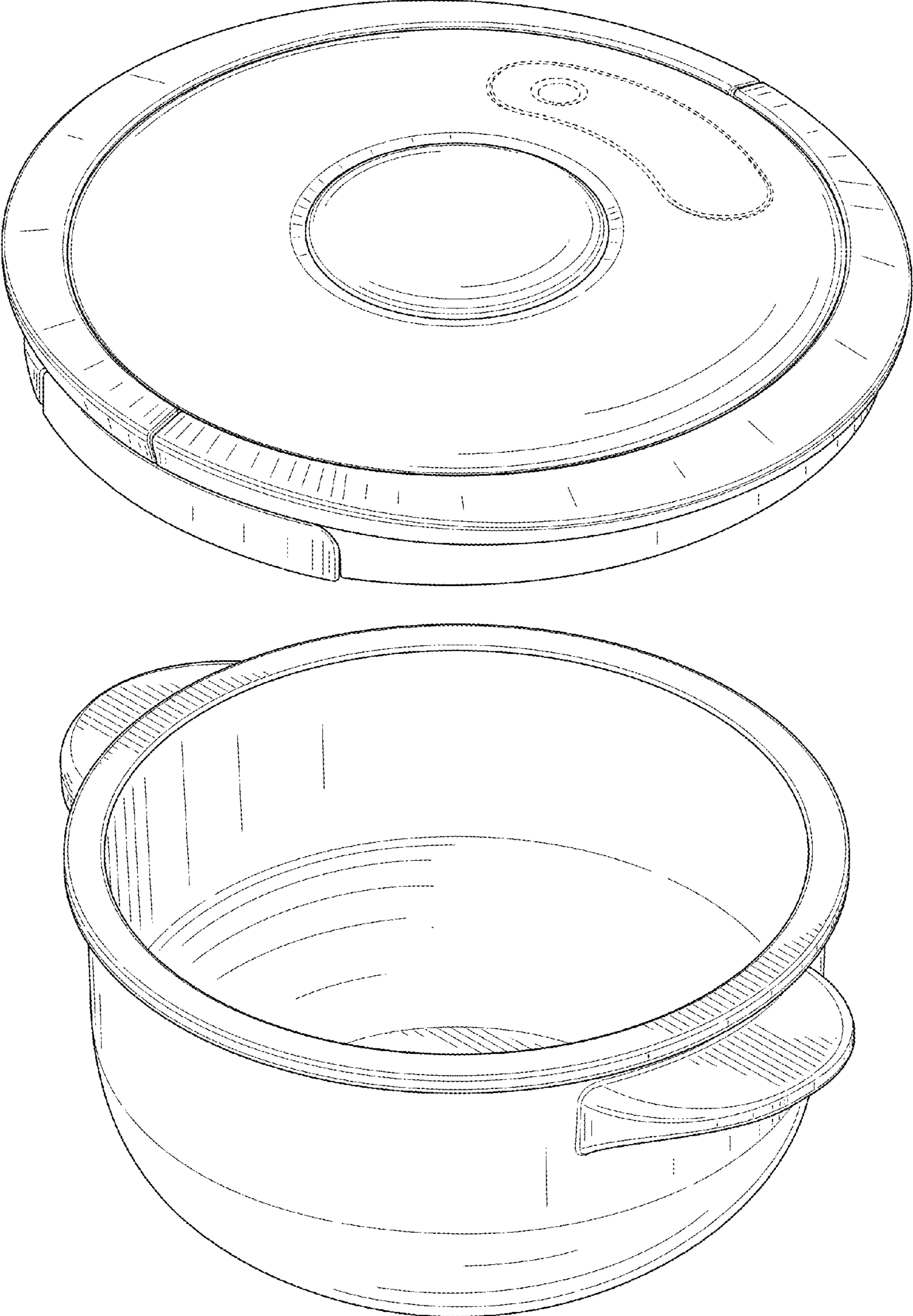


FIG. 2

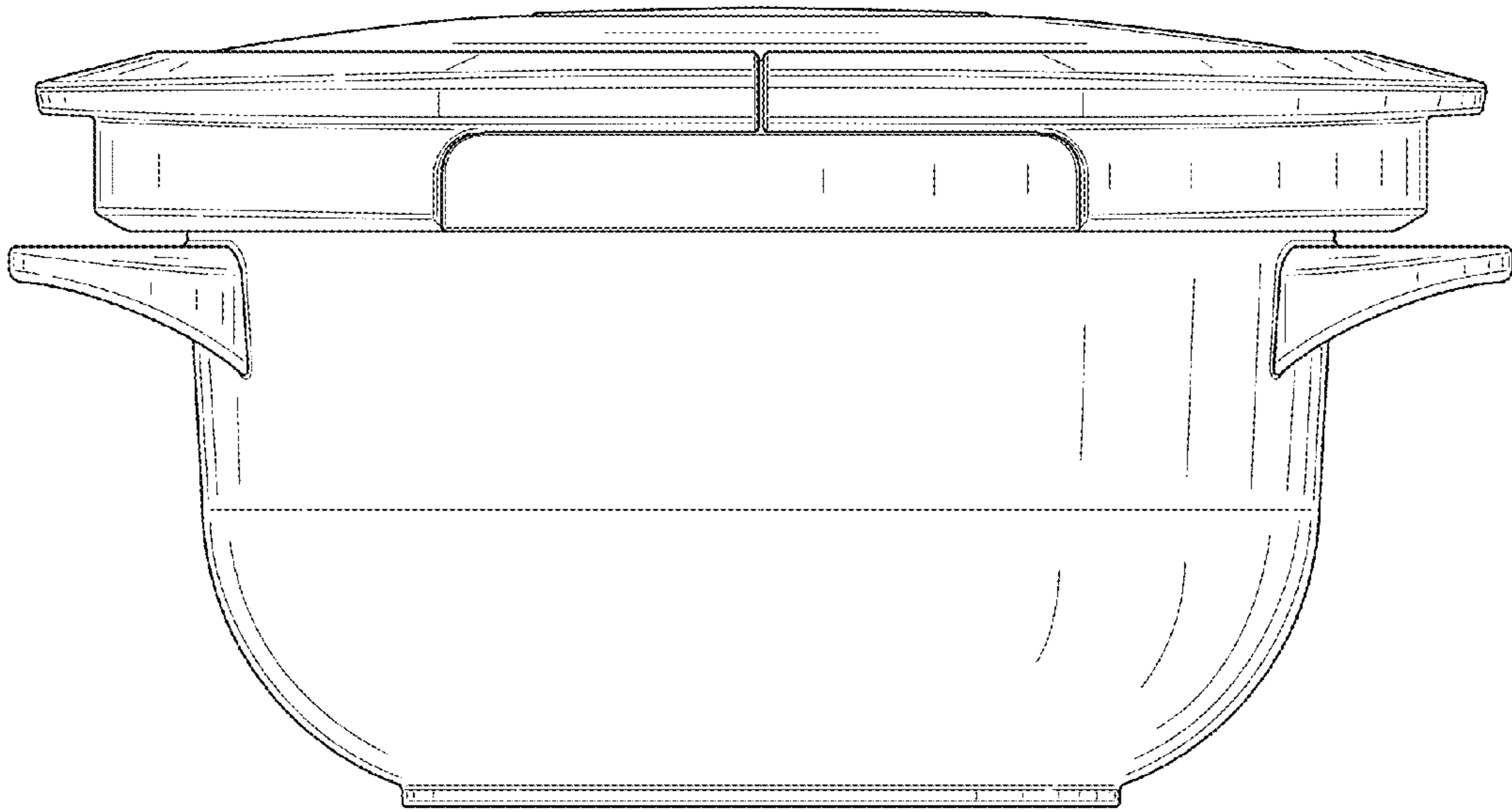


FIG. 3

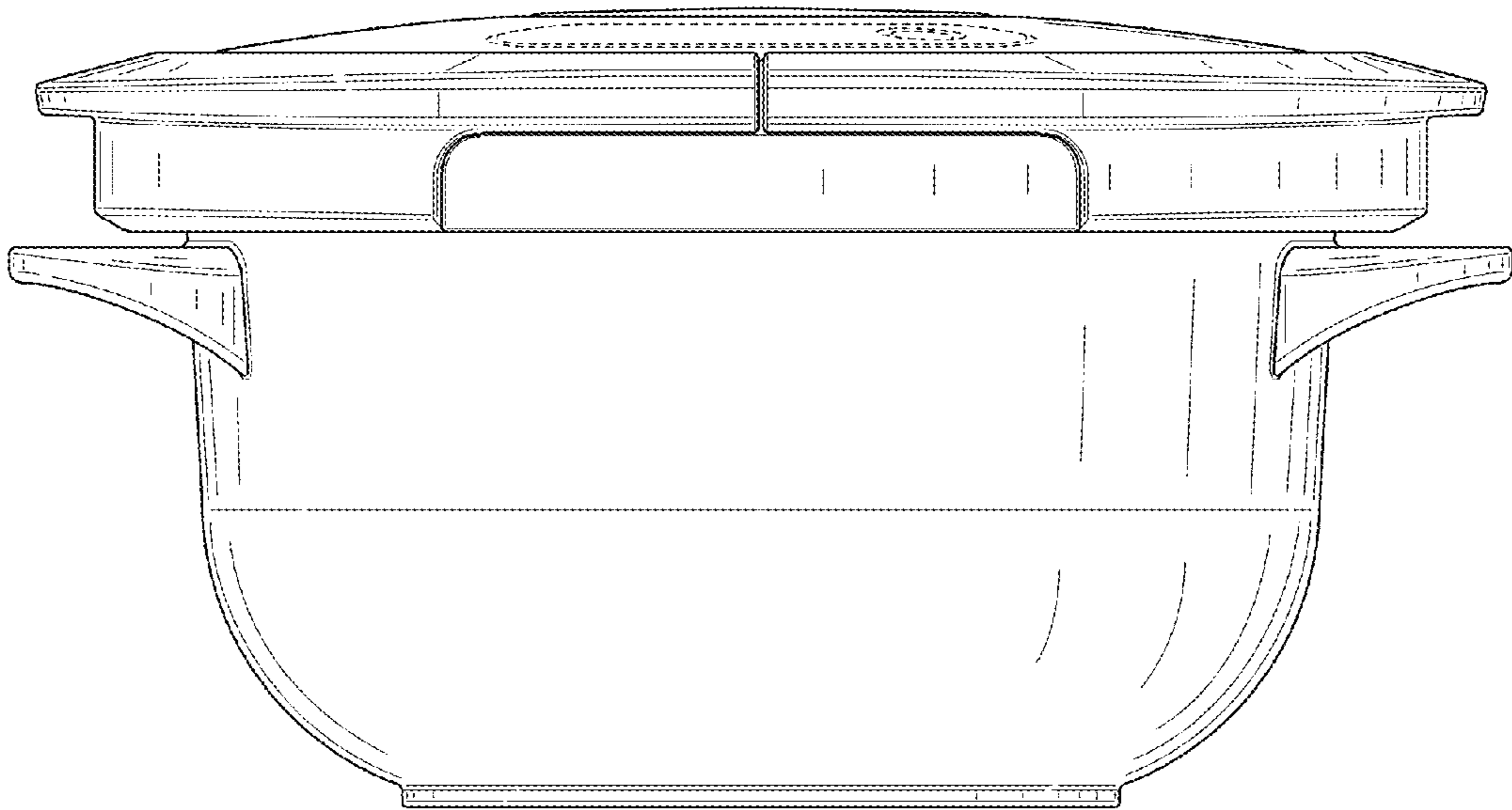


FIG. 4

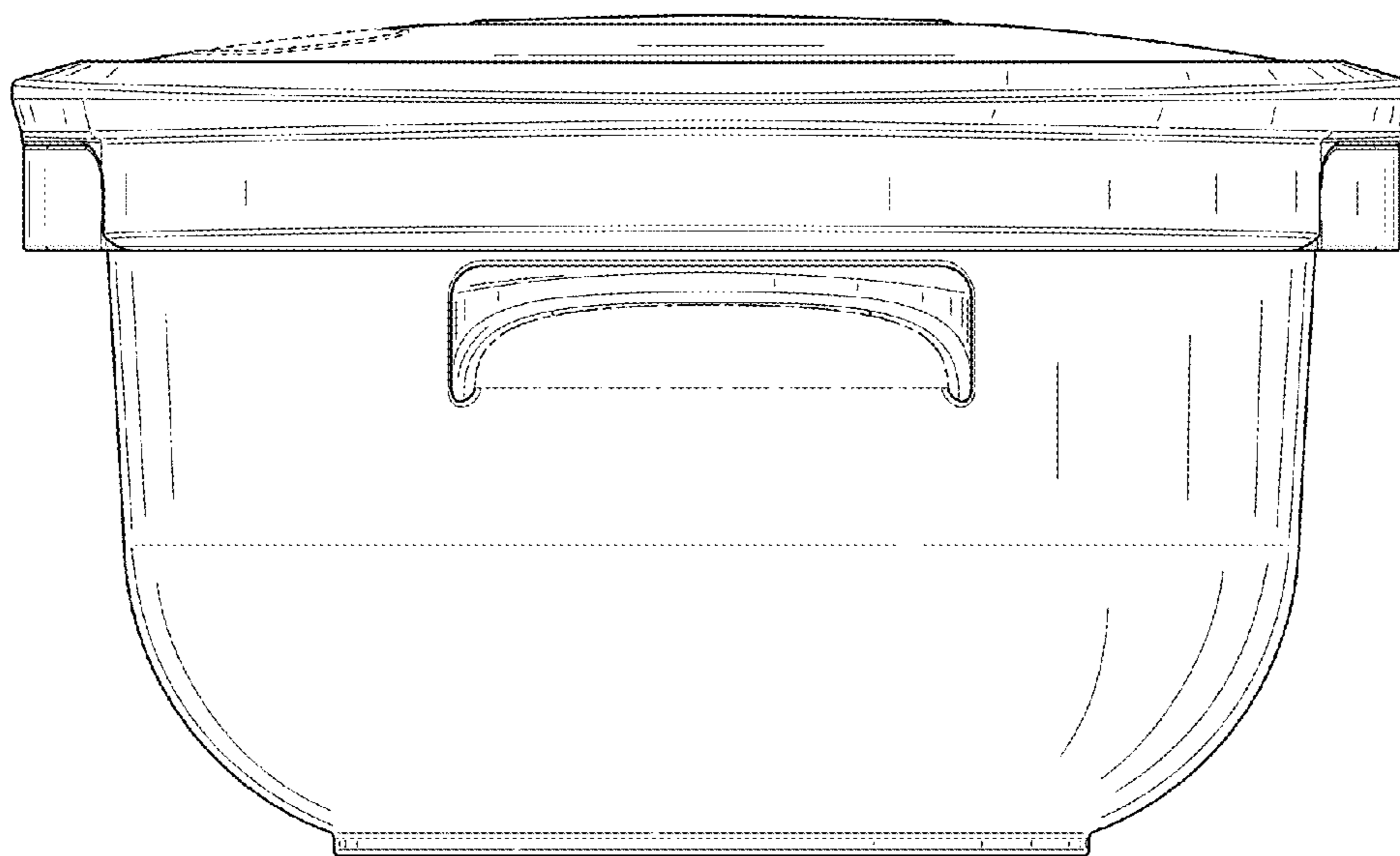


FIG. 5

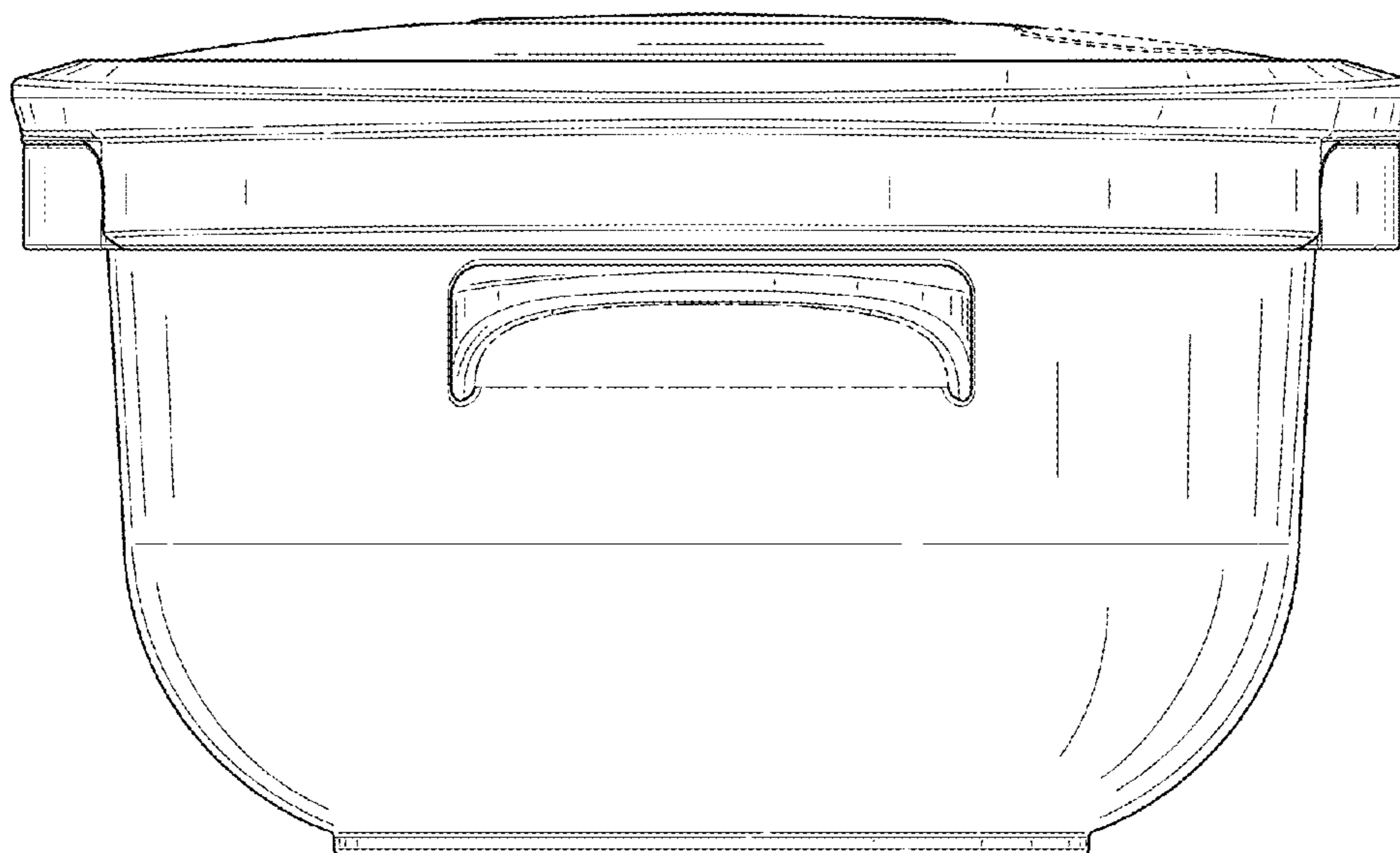


FIG. 6

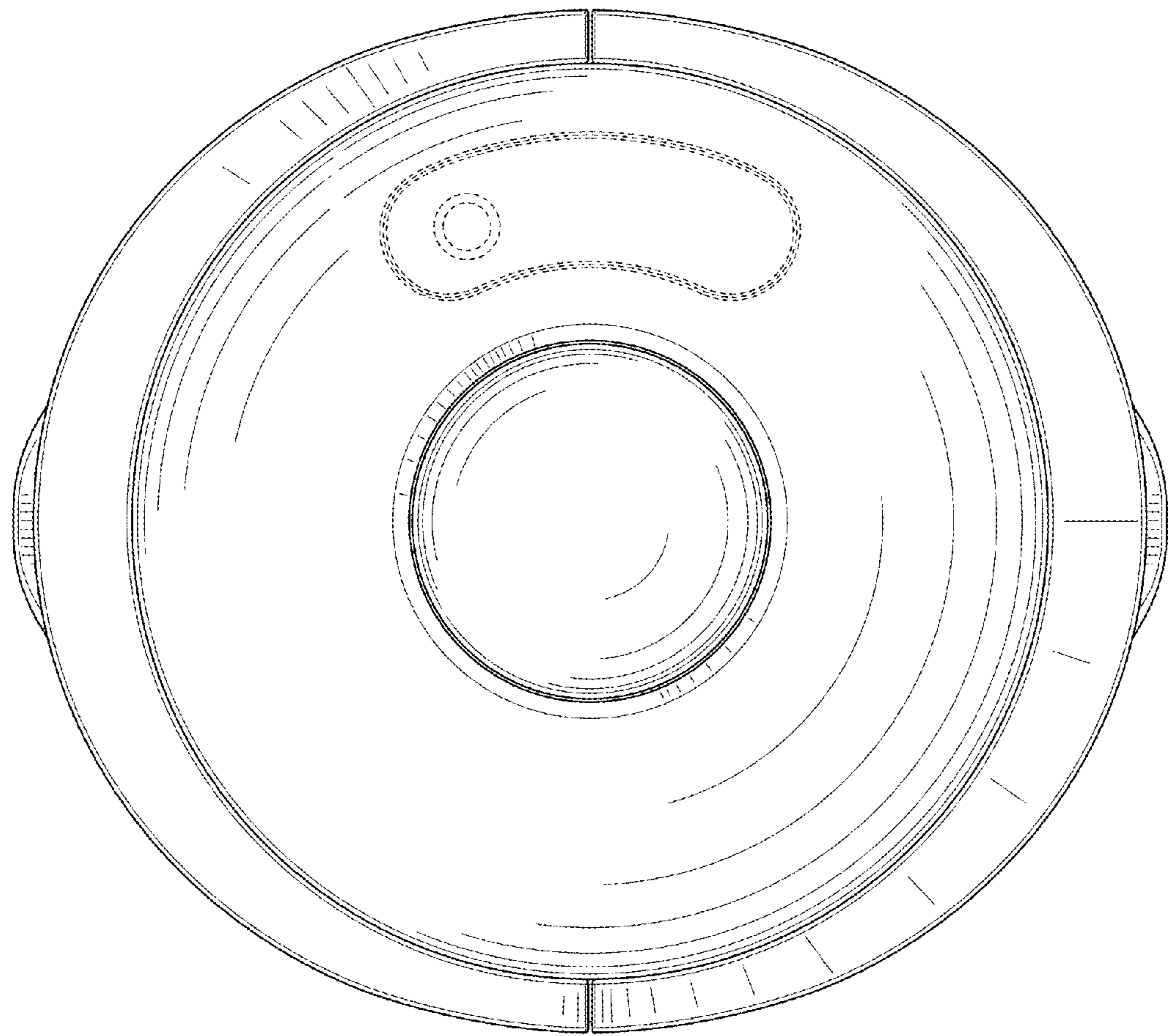


FIG. 7

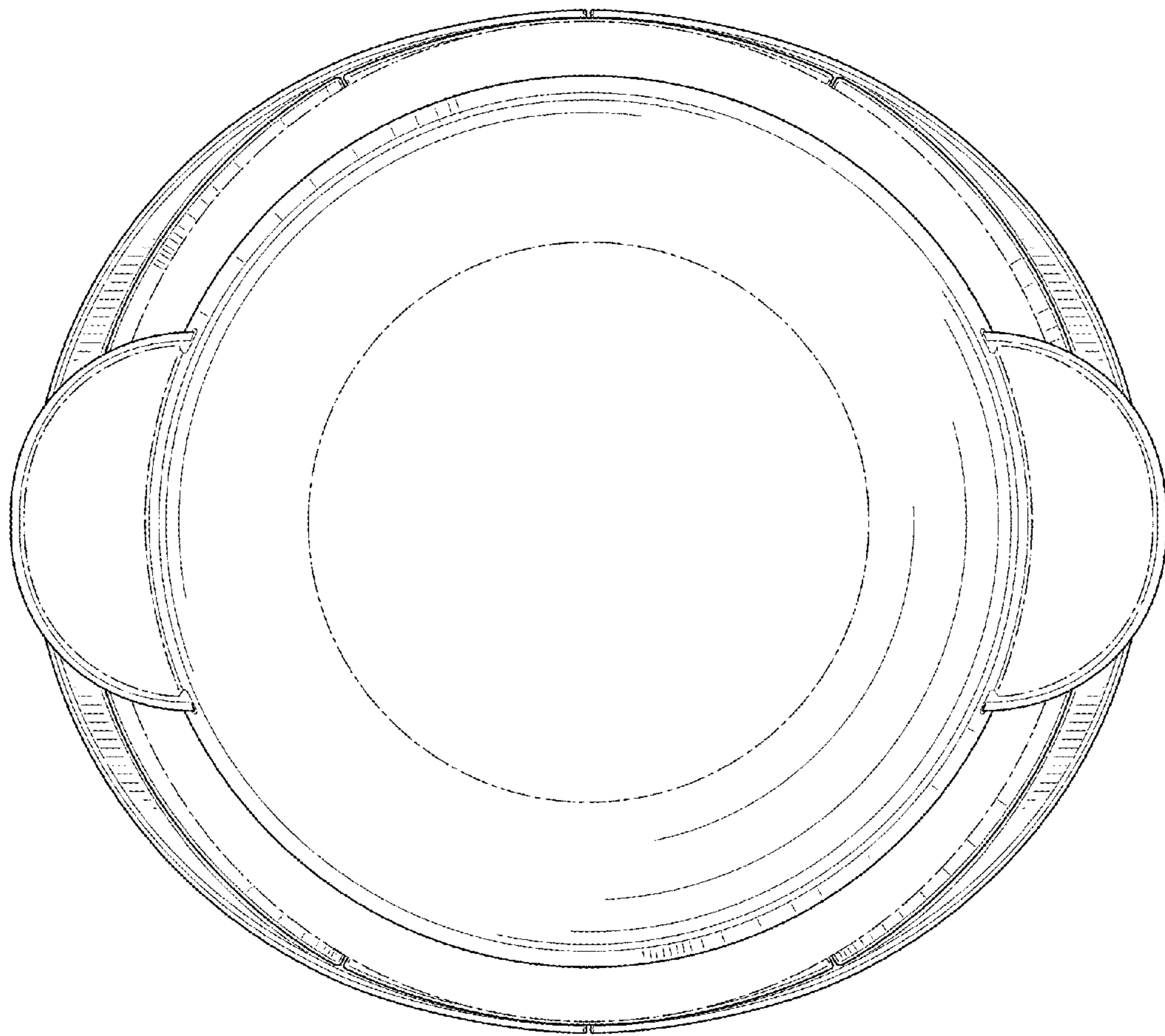


FIG. 8

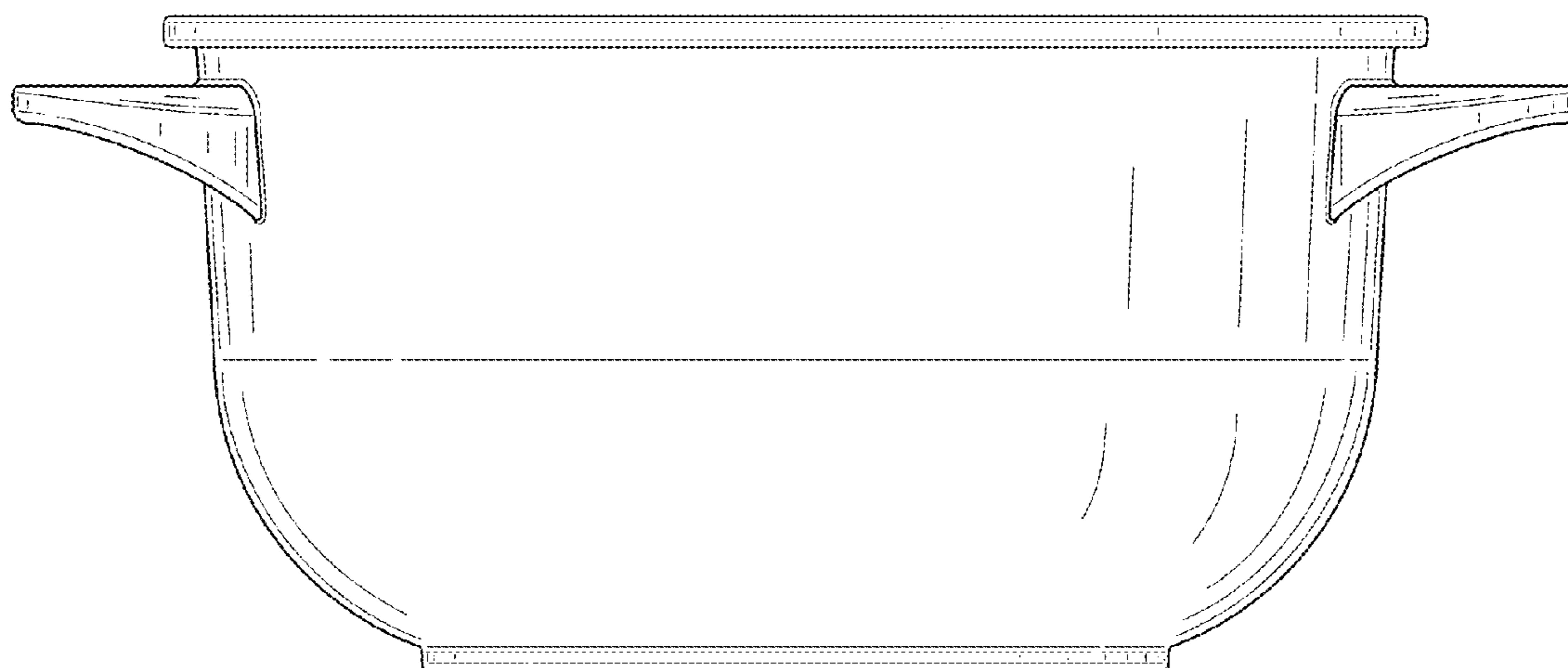


FIG. 9

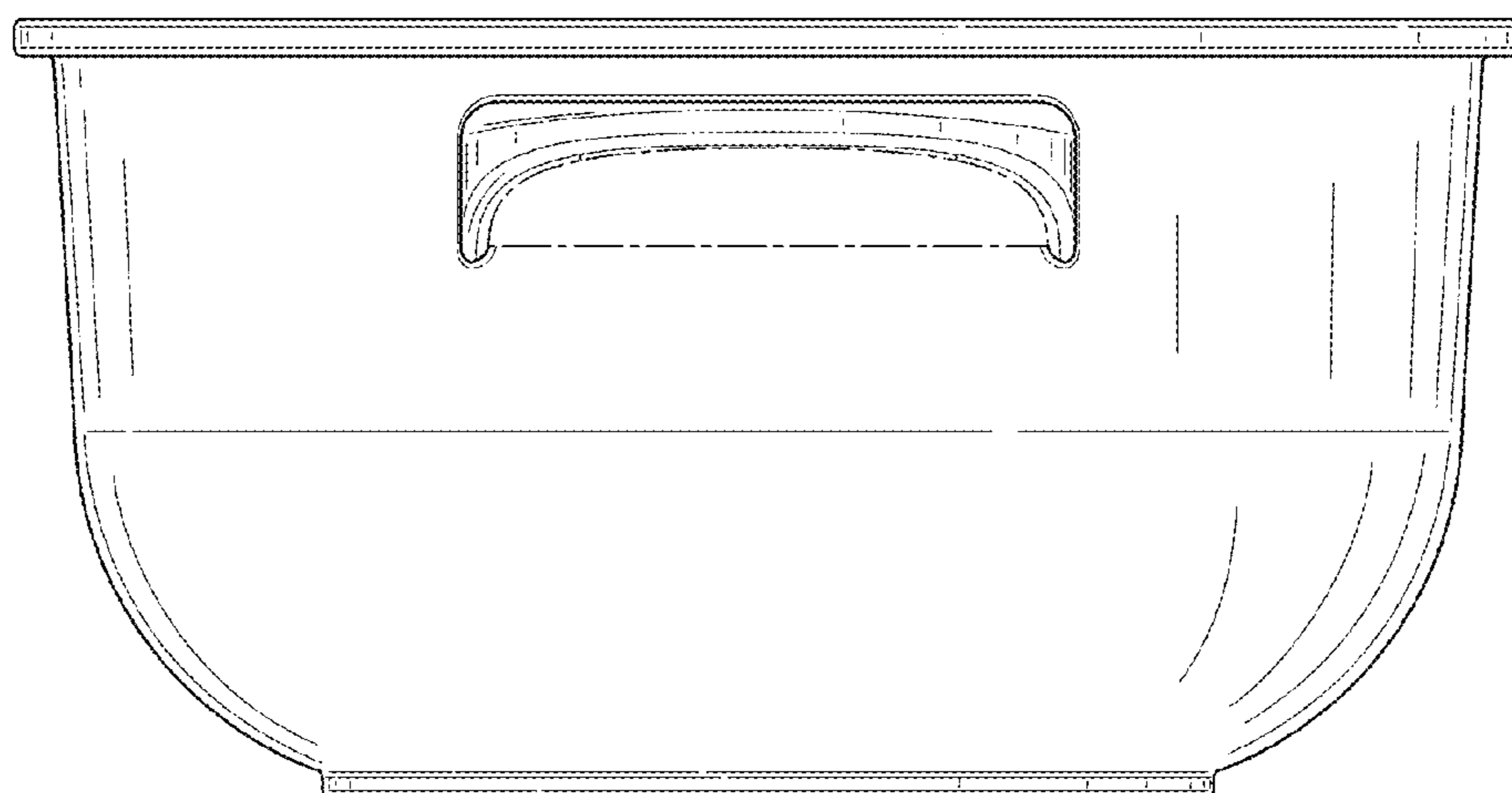


FIG. 10

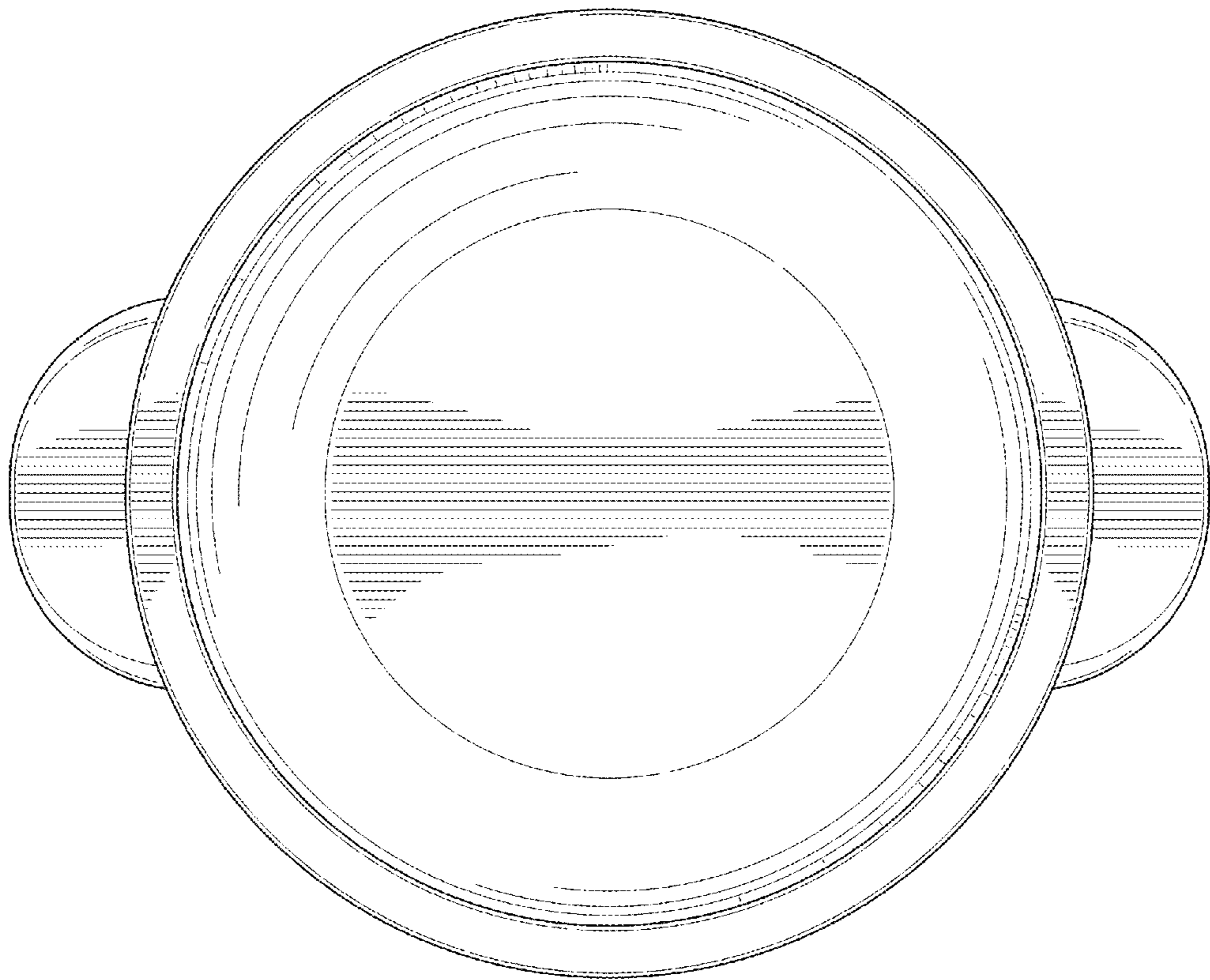


FIG. 11

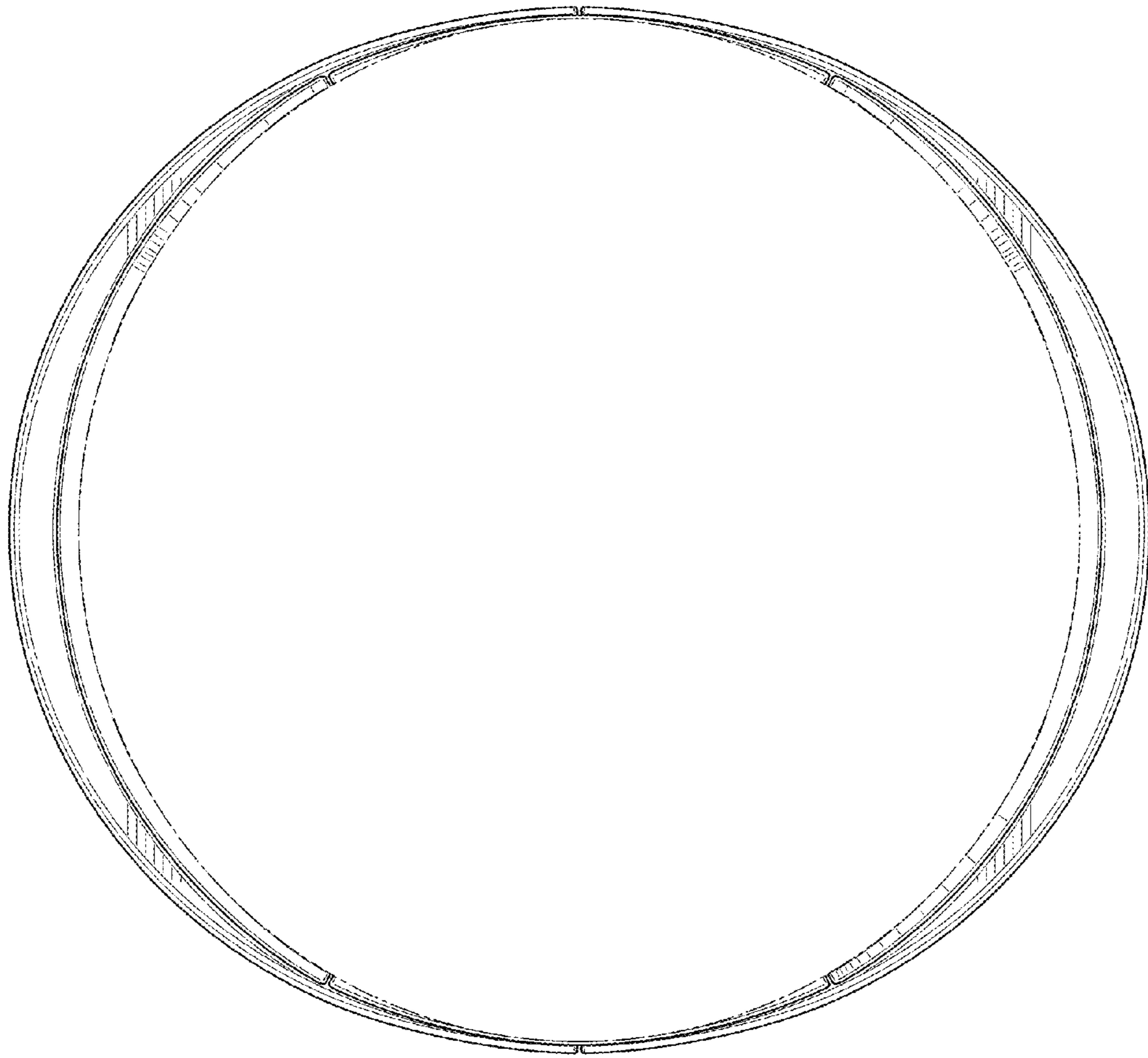


FIG. 12

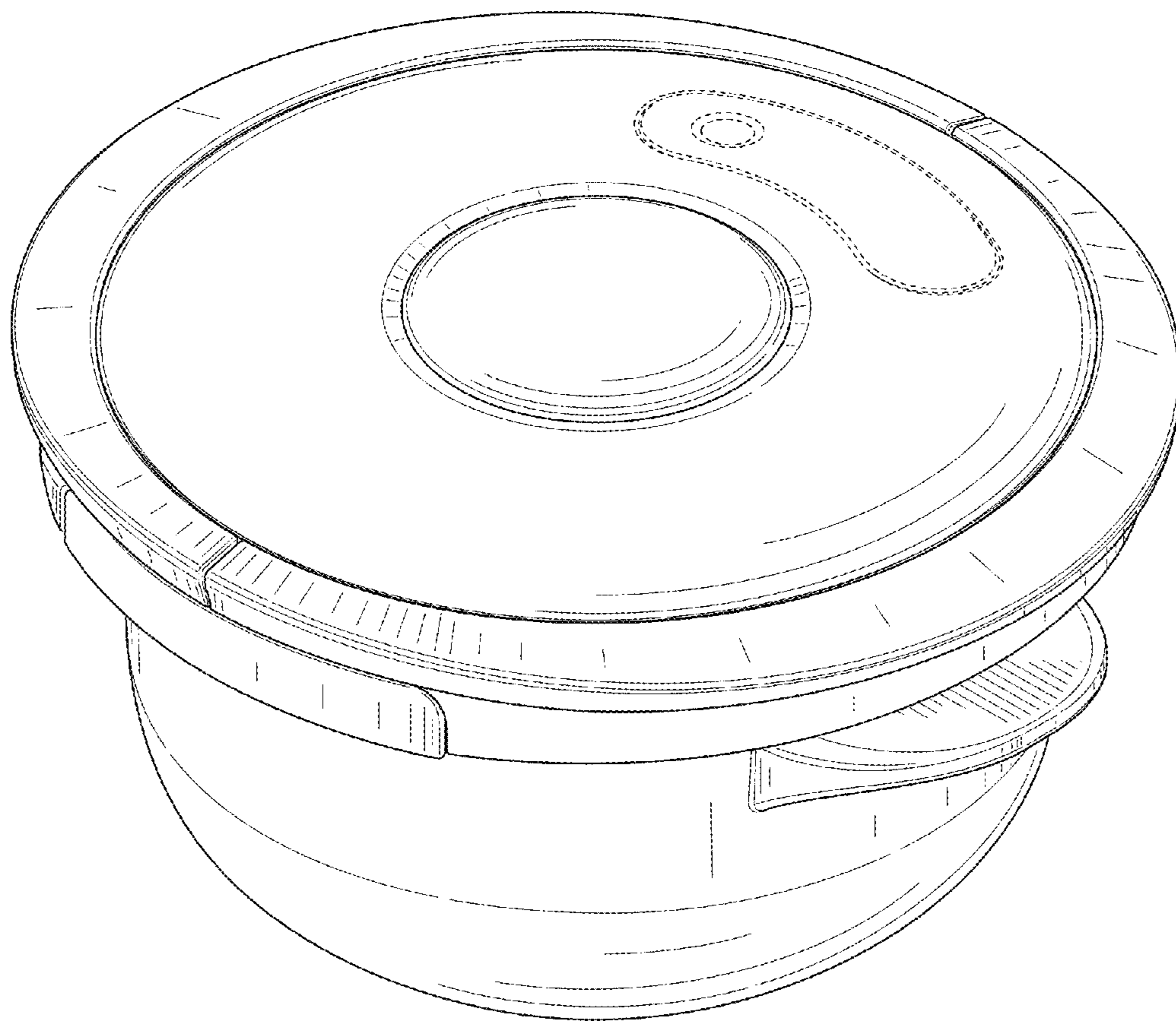


FIG. 13

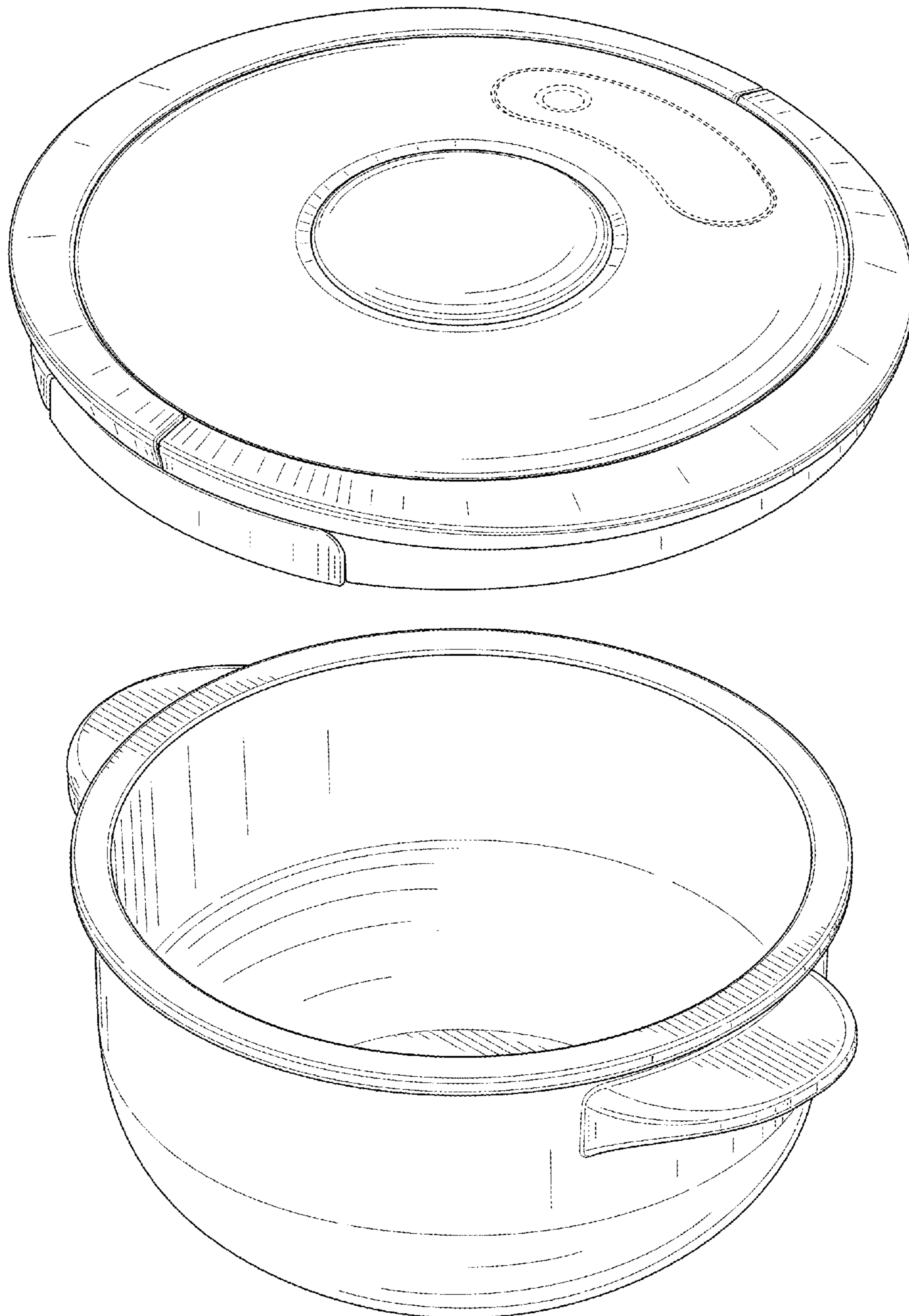


FIG. 14

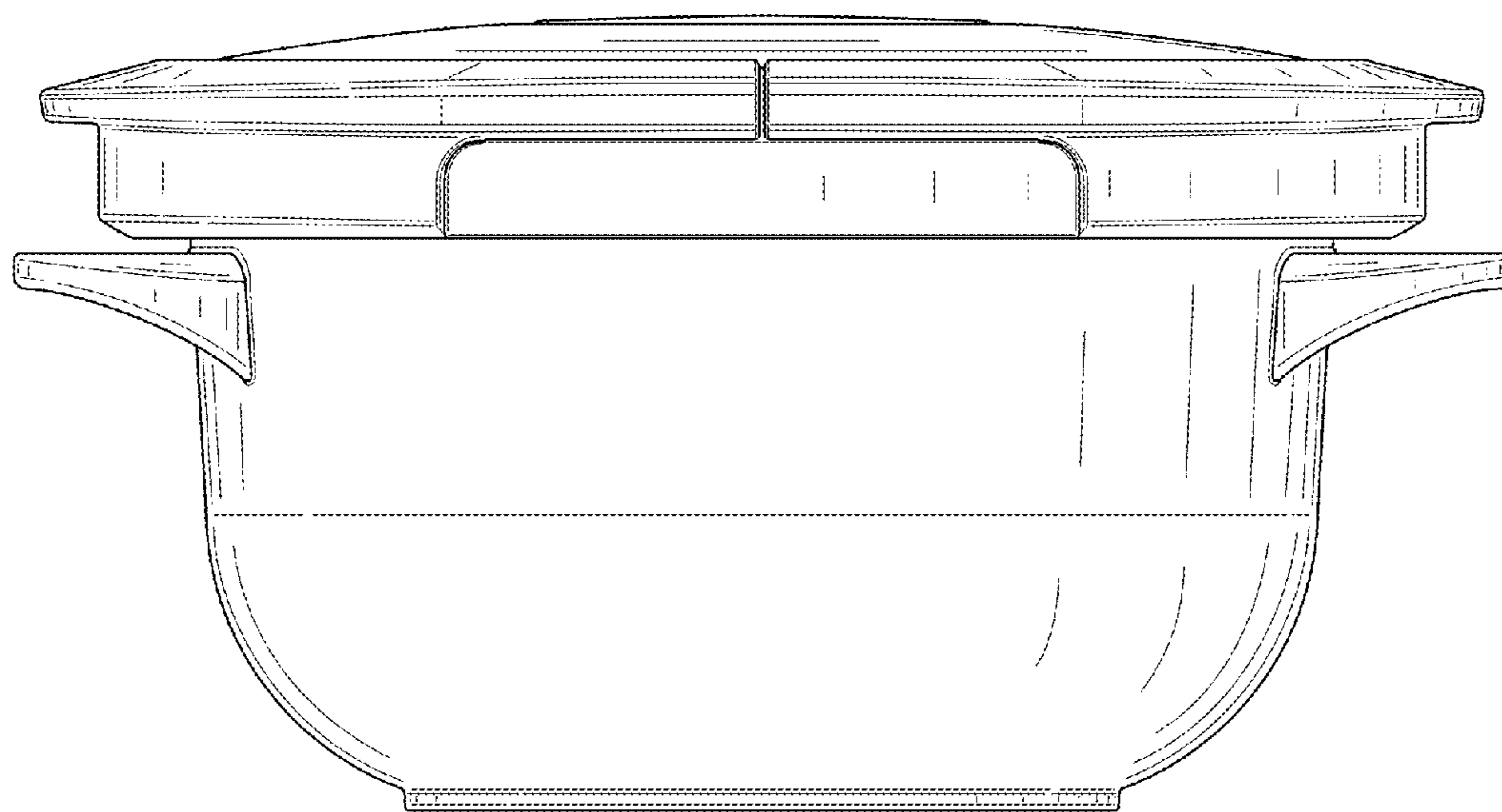


FIG. 15

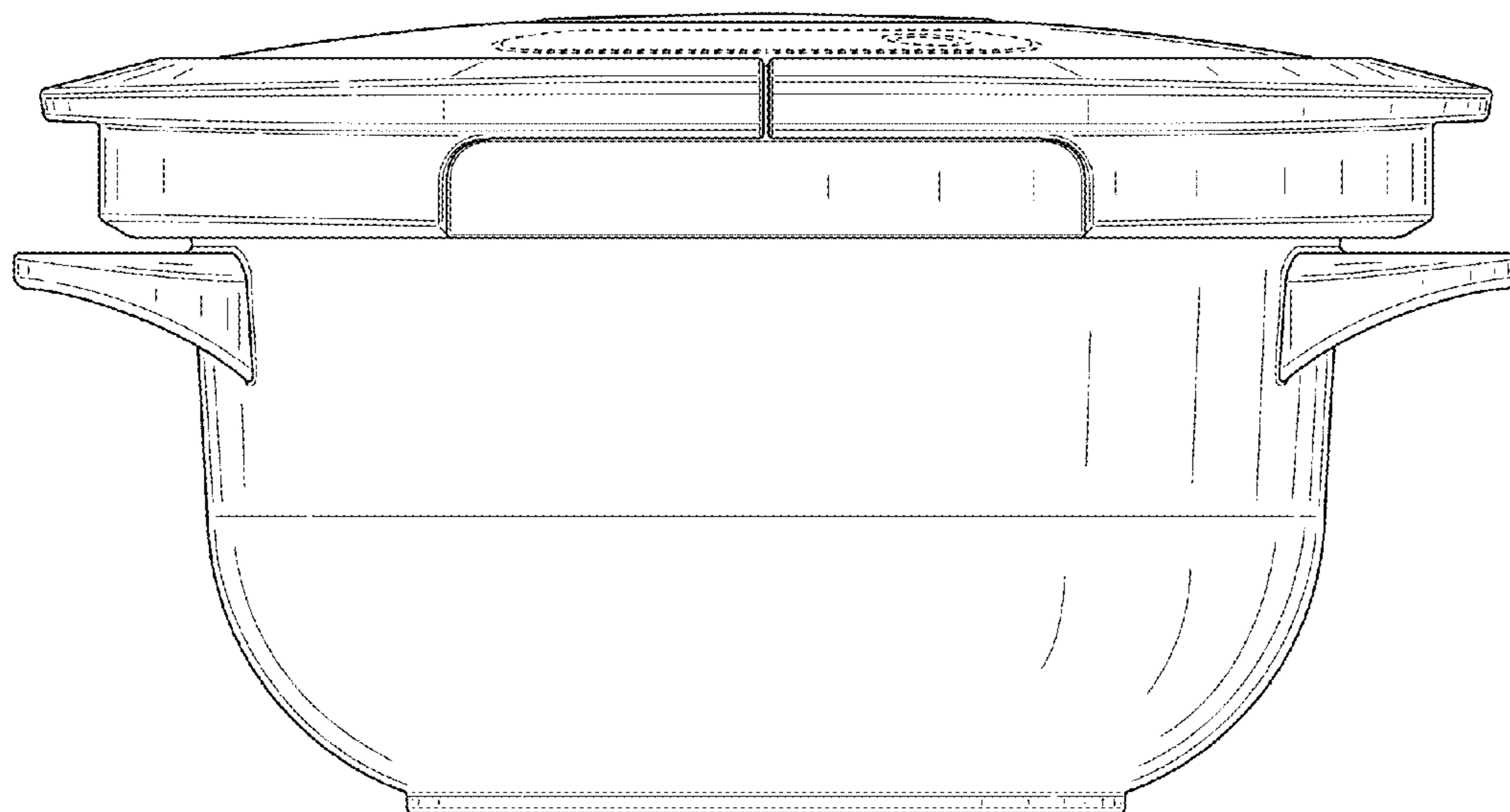


FIG. 16

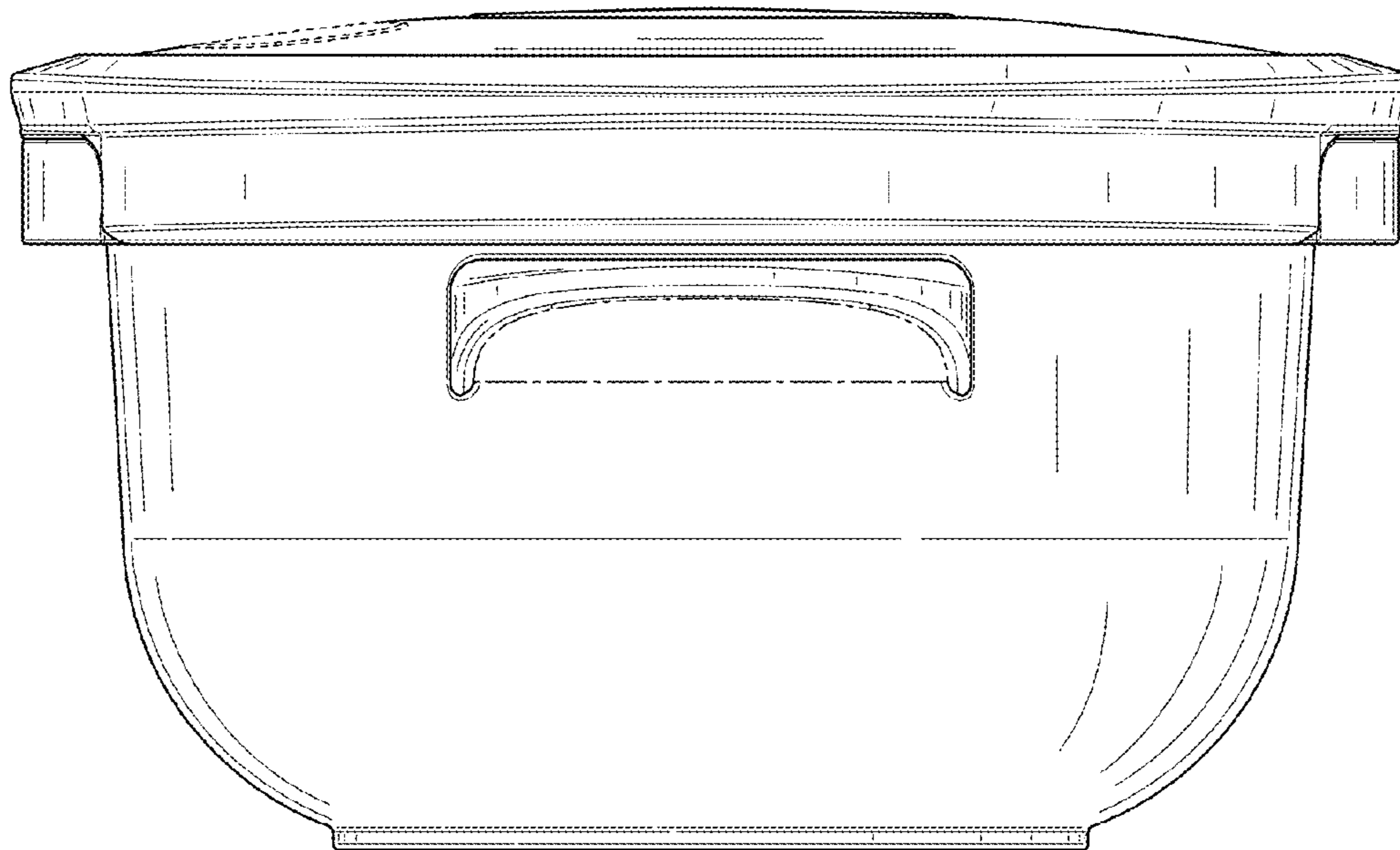


FIG. 17

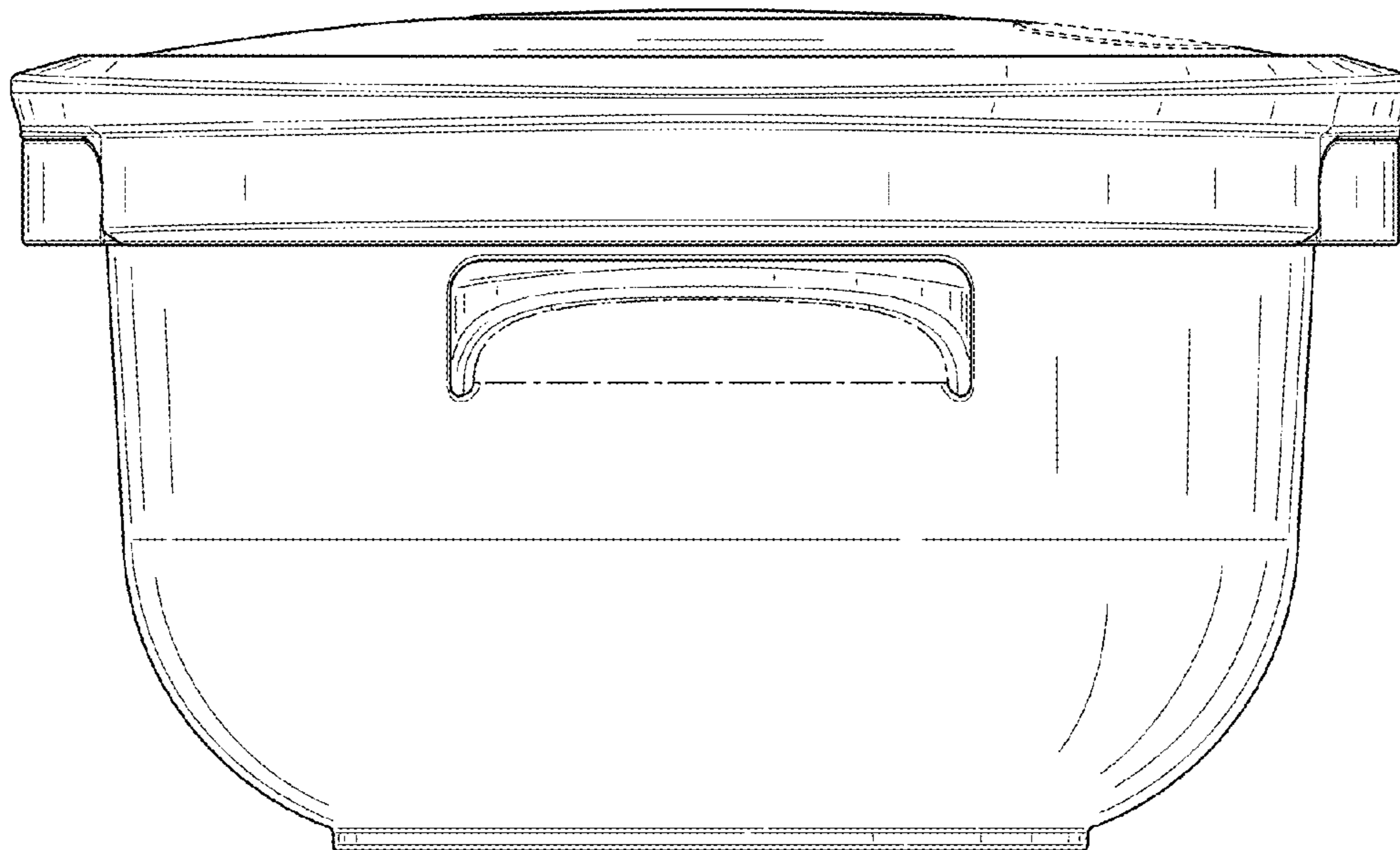


FIG. 18

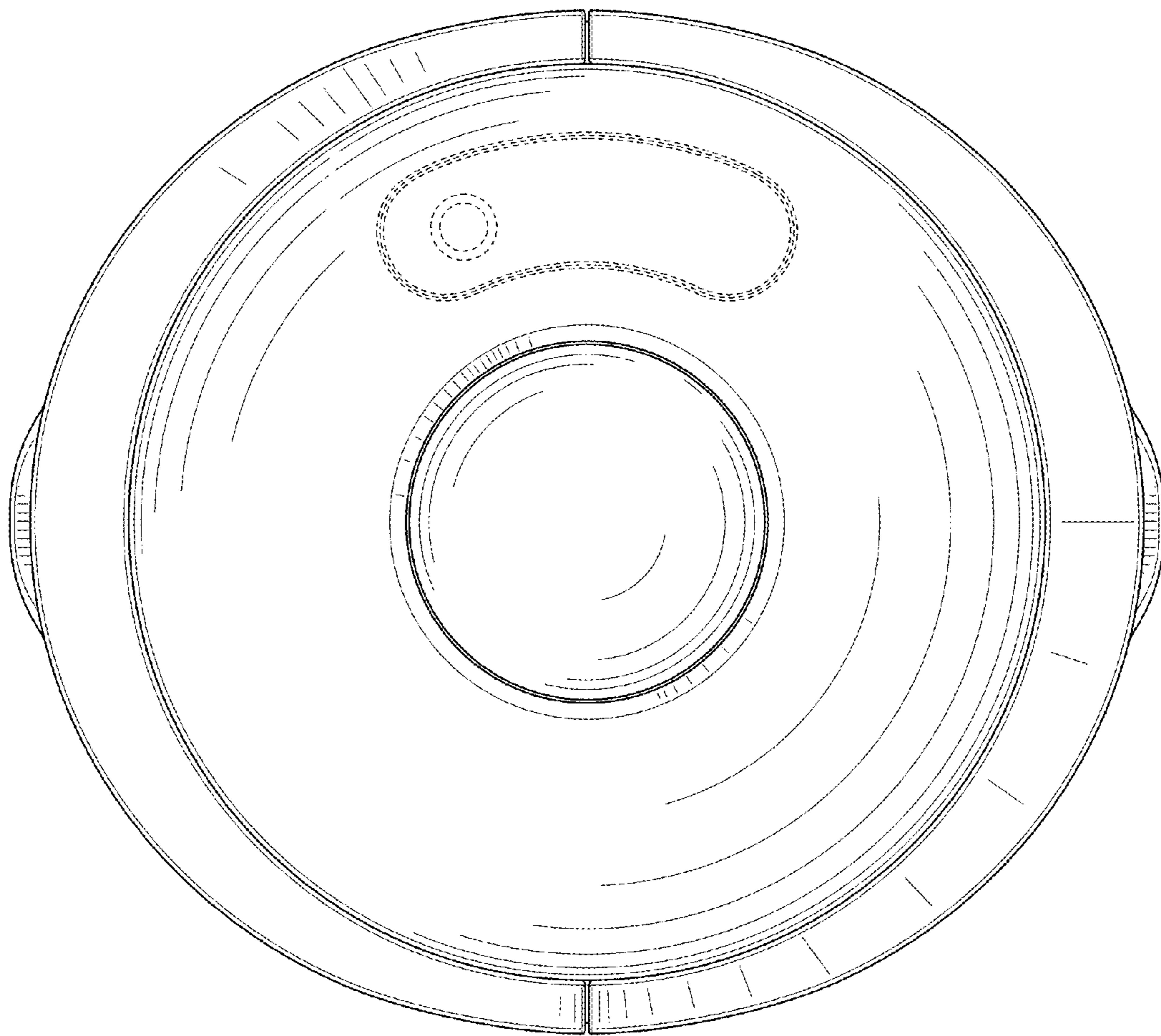


FIG. 19

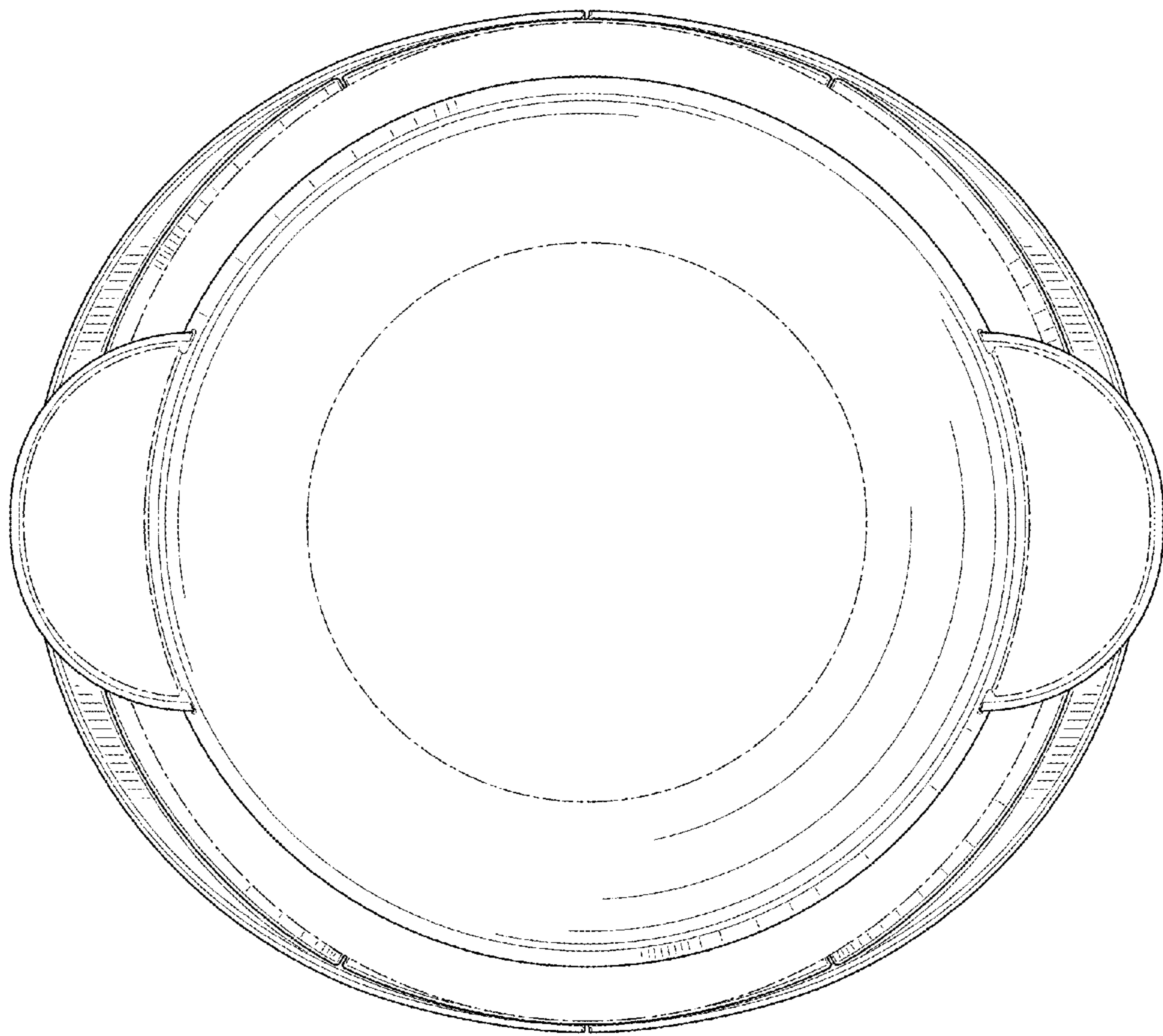


FIG. 20

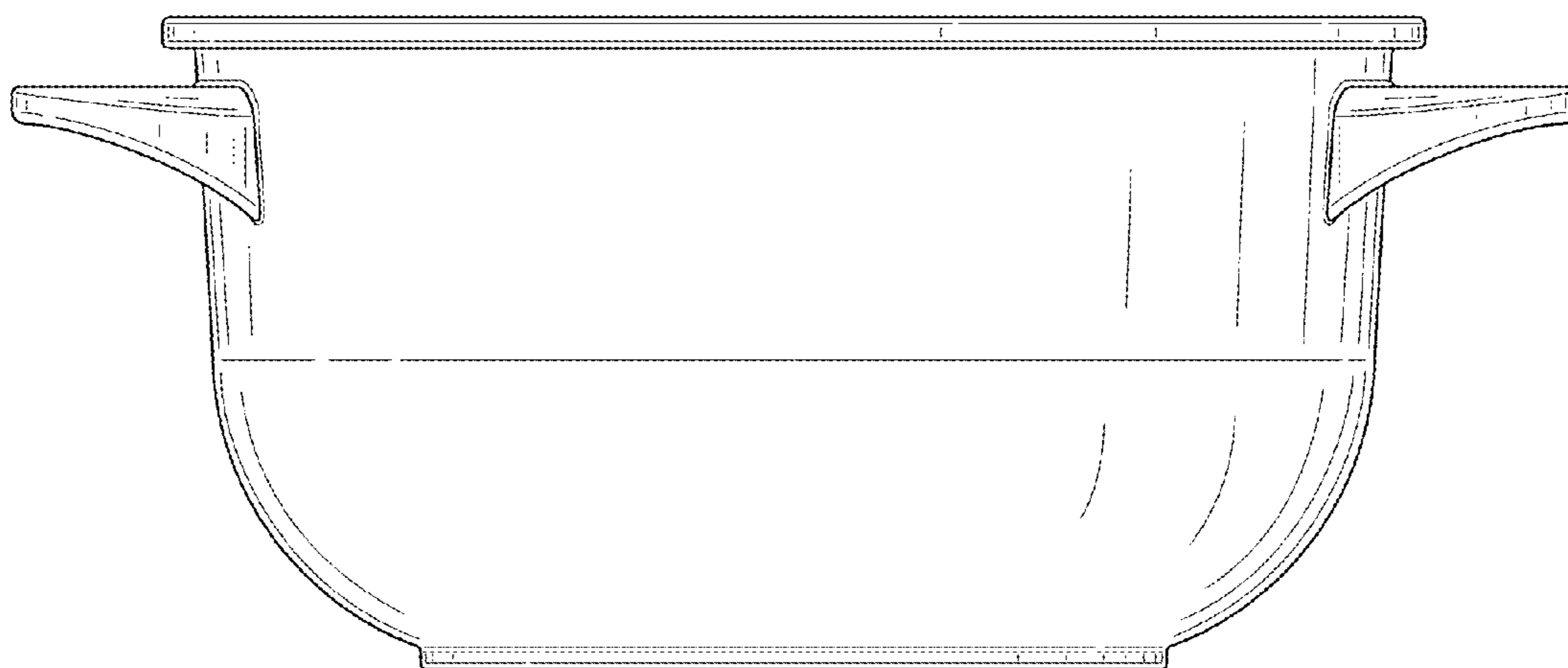


FIG. 21

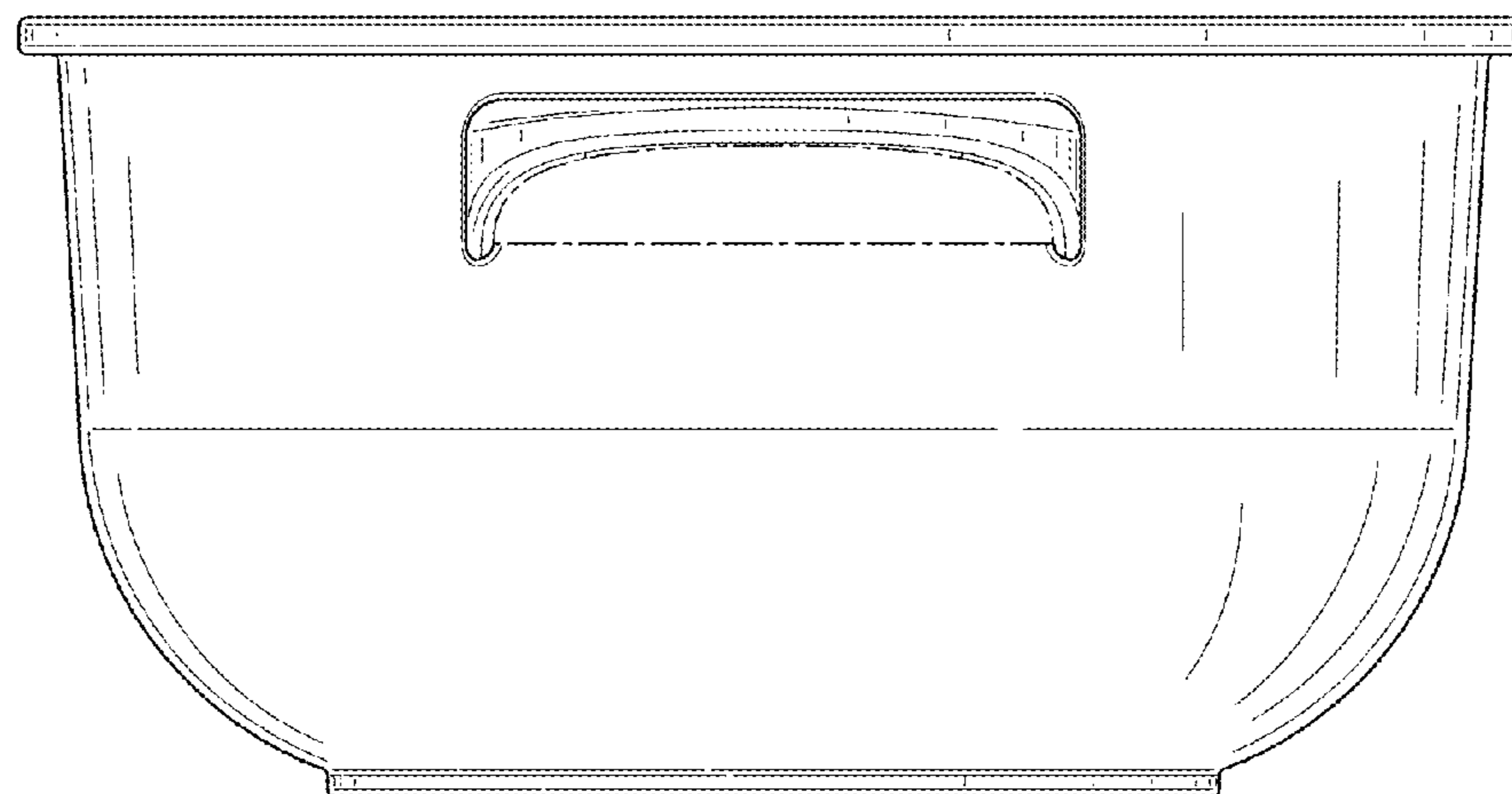


FIG. 22

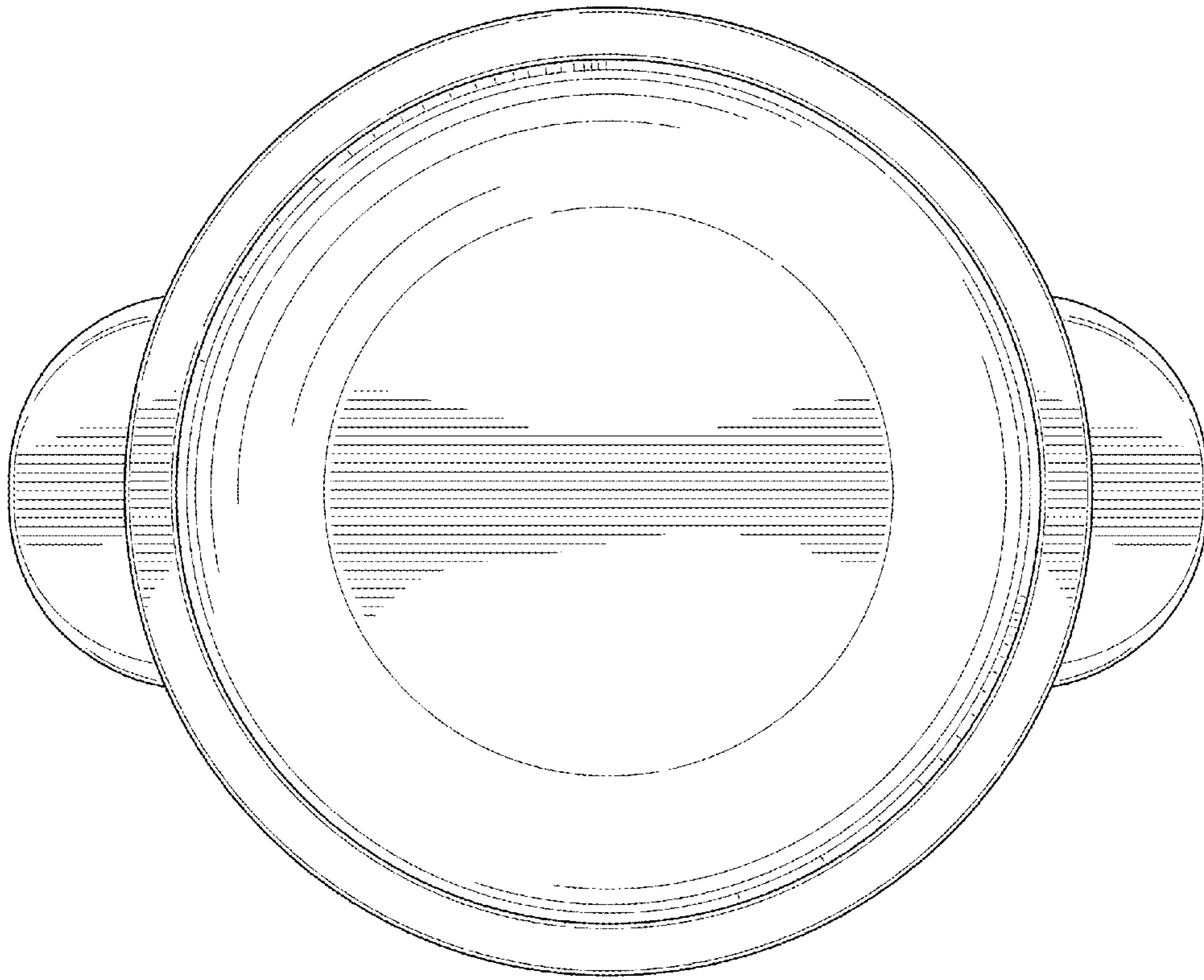


FIG. 23

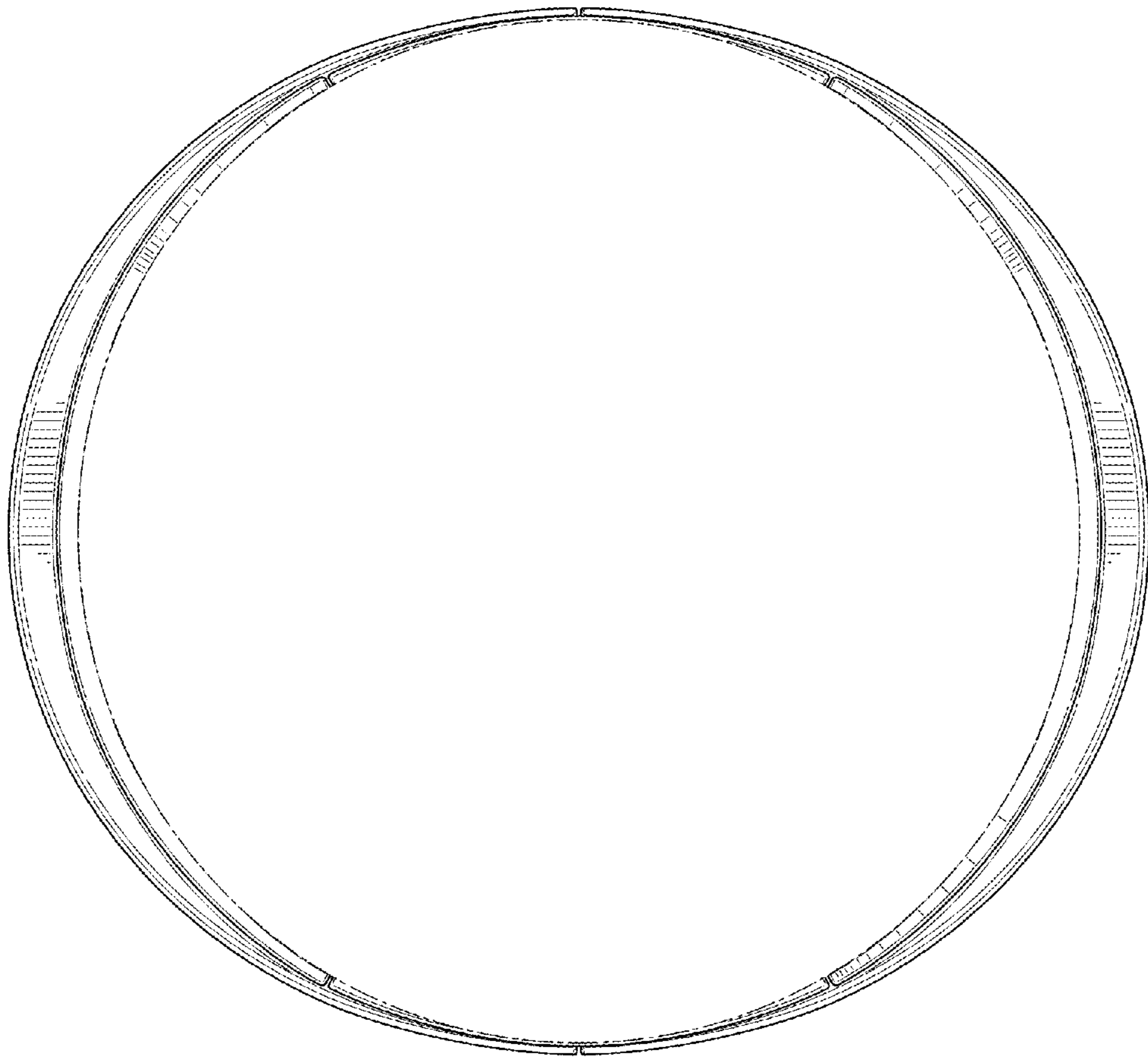


FIG. 24