



US00D770843S

(12) **United States Design Patent** (10) **Patent No.:** **US D770,843 S**  
**Chung** (45) **Date of Patent:** **\*\* Nov. 8, 2016**

(54) **RICE COOKER**

(56) **References Cited**

(71) Applicant: **KONINKLIJKE PHILIPS N.V.**,  
Eindhoven (NL)

U.S. PATENT DOCUMENTS

(72) Inventor: **Wai Kit Chung**, Shanghai (CN)

3,801,331	A	*	4/1974	Sano .....	A47J 37/1209 96/362
D323,762	S	*	2/1992	Barrault .....	D7/354
D323,954	S	*	2/1992	Barrault .....	D7/354
D345,485	S	*	3/1994	Leung .....	D7/354
D369,505	S	*	5/1996	Philippe .....	D7/323
D418,360	S	*	1/2000	Kei .....	D7/354
D549,517	S	*	8/2007	Moran .....	D7/358
D594,694	S	*	6/2009	Pino .....	D7/354
D642,856	S	*	8/2011	Bock .....	D7/354
D711,679	S	*	8/2014	Day .....	D7/354
D728,301	S	*	5/2015	Hack .....	D7/368
D755,006	S	*	5/2016	Prats .....	D7/354
D756,159	S	*	5/2016	Chang .....	D7/354

(73) Assignee: **KONINKLIJKE PHILIPS N.V.**,  
Eindhoven (NL)

(\*\*) Term: **15 Years**

(21) Appl. No.: **29/529,564**

(22) Filed: **Jun. 9, 2015**

(30) **Foreign Application Priority Data**

Dec. 10, 2014 (CN) ..... 2014 3 0515057

Dec. 11, 2014 (IN) ..... A00201403493

(51) **LOC (10) Cl.** ..... **07-02**

(52) **U.S. Cl.**

USPC ..... **D7/354**

(58) **Field of Classification Search**

USPC ..... D7/323, 354-361, 368, 391

CPC ..... A47J 27/00; A47J 27/04; A47J 27/05;

A47J 27/08; A47J 27/09; A47J 27/092;

A47J 36/025; A47J 36/06; A47J 36/08;

A47J 36/10; A47J 36/12; A47J 37/12;

A47J 37/1204; A47J 37/1209; H05B 6/02;

H05B 6/06; H05B 6/12

See application file for complete search history.

\* cited by examiner

*Primary Examiner* — Ricky Pham

(57) **CLAIM**

The ornamental design for a rice cooker, as shown.

**DESCRIPTION**

FIG. 1 is a perspective view showing my design;

FIG. 2 is a front elevational view thereof;

FIG. 3 is a rear elevational view thereof;

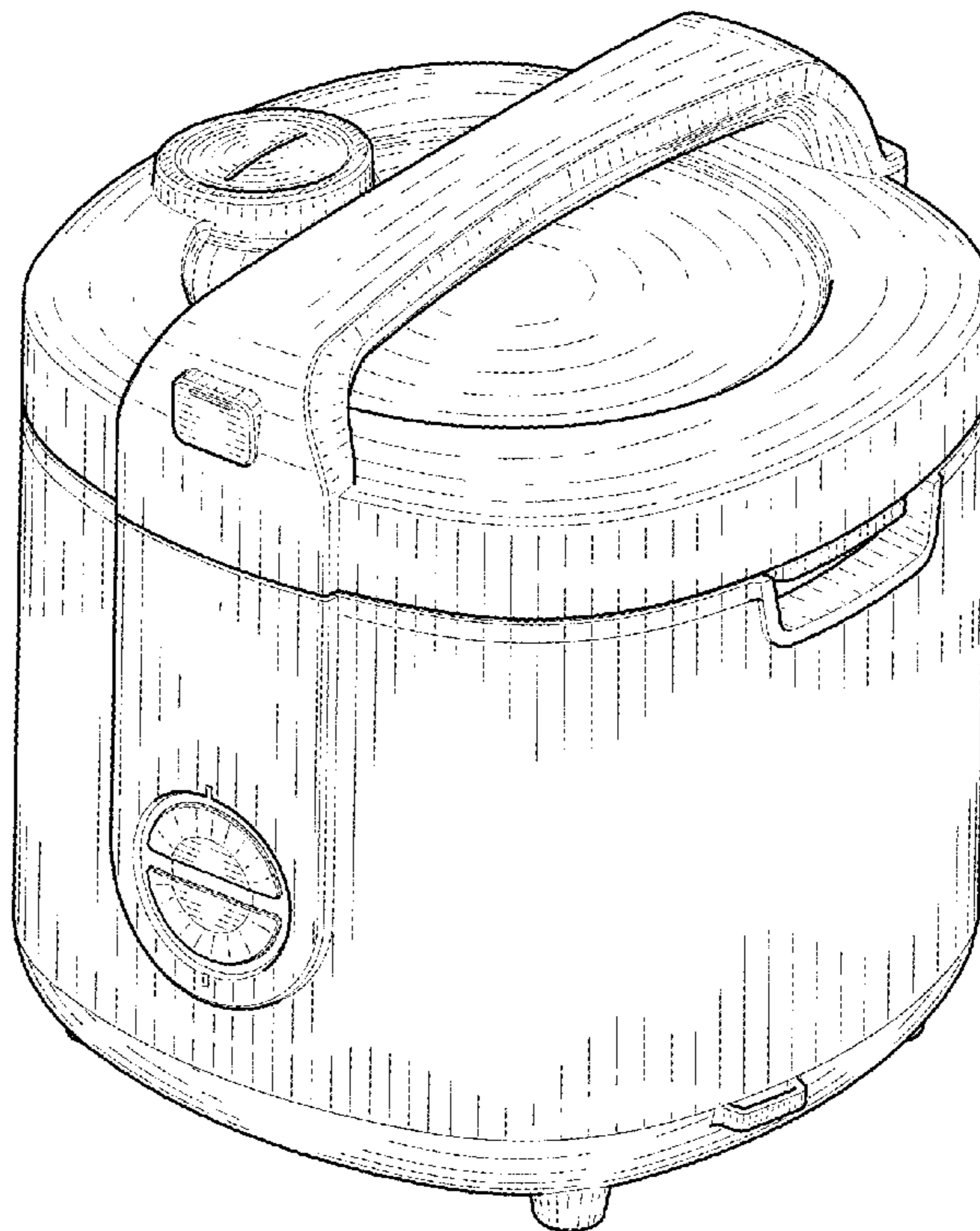
FIG. 4 is a right side elevational view thereof;

FIG. 5 is a left side elevational view thereof;

FIG. 6 is a top plan view thereof; and,

FIG. 7 is a bottom plan view thereof.

**1 Claim, 7 Drawing Sheets**



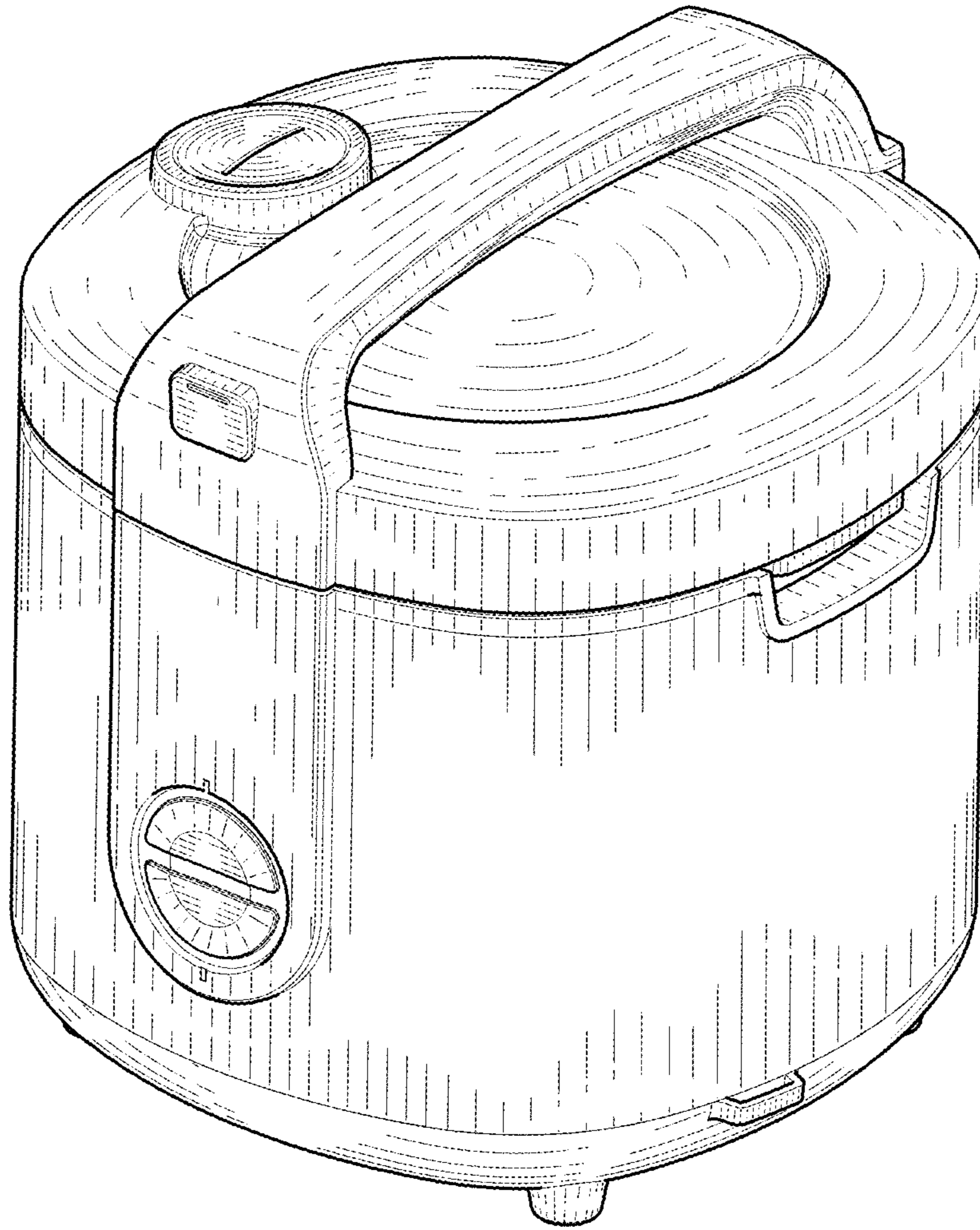


FIG. 1

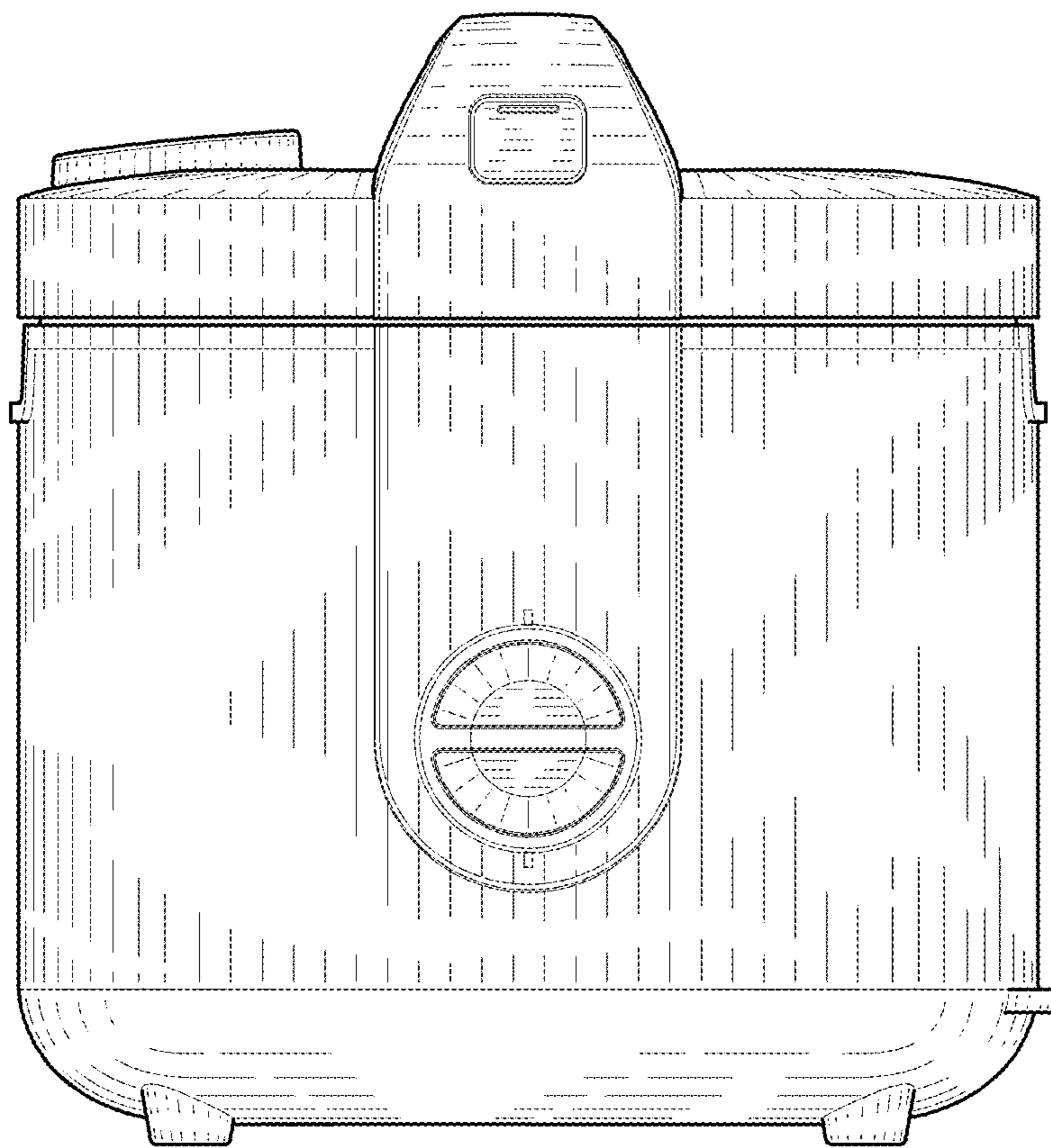


FIG. 2

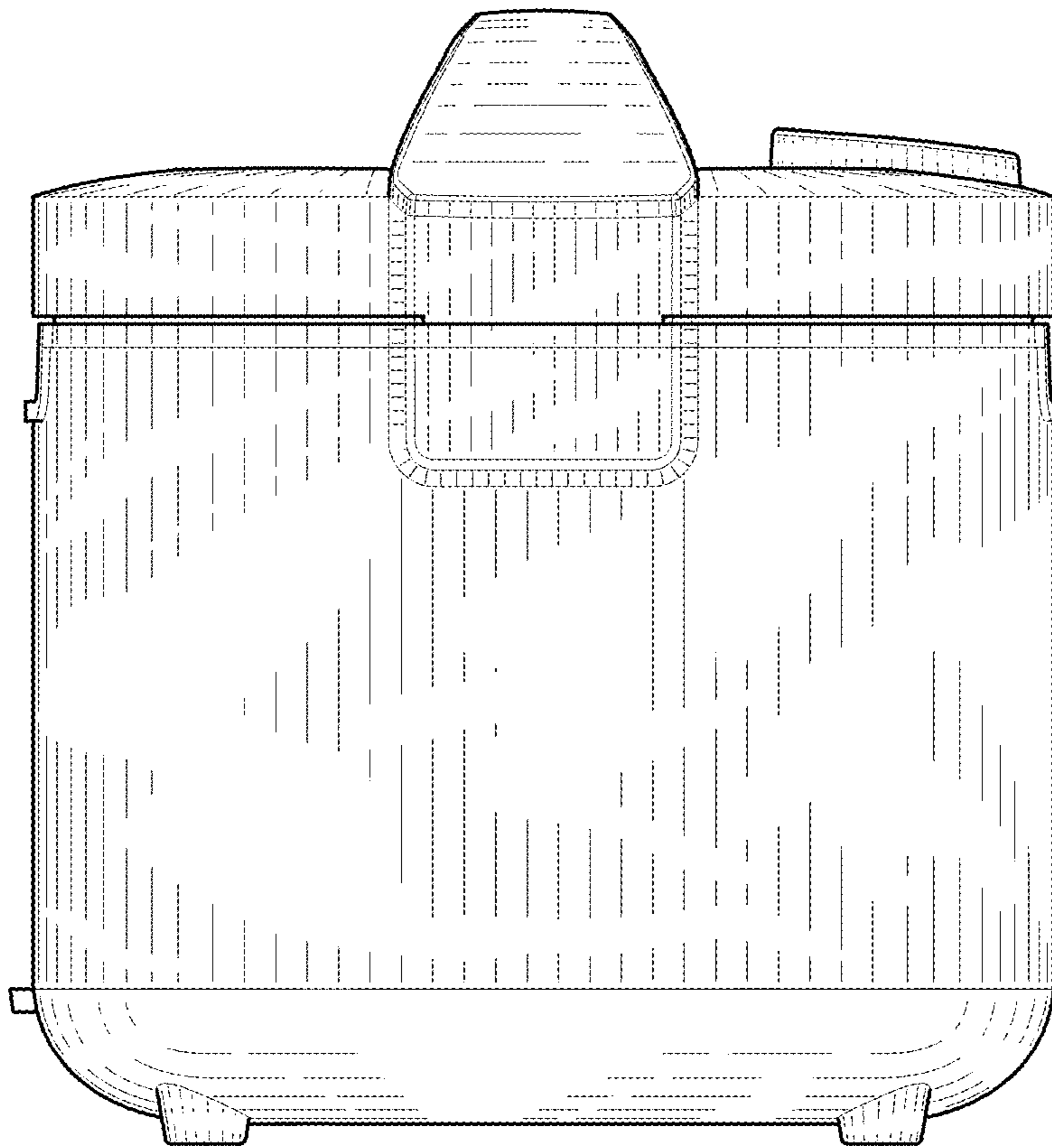


FIG. 3



FIG. 4



FIG. 5

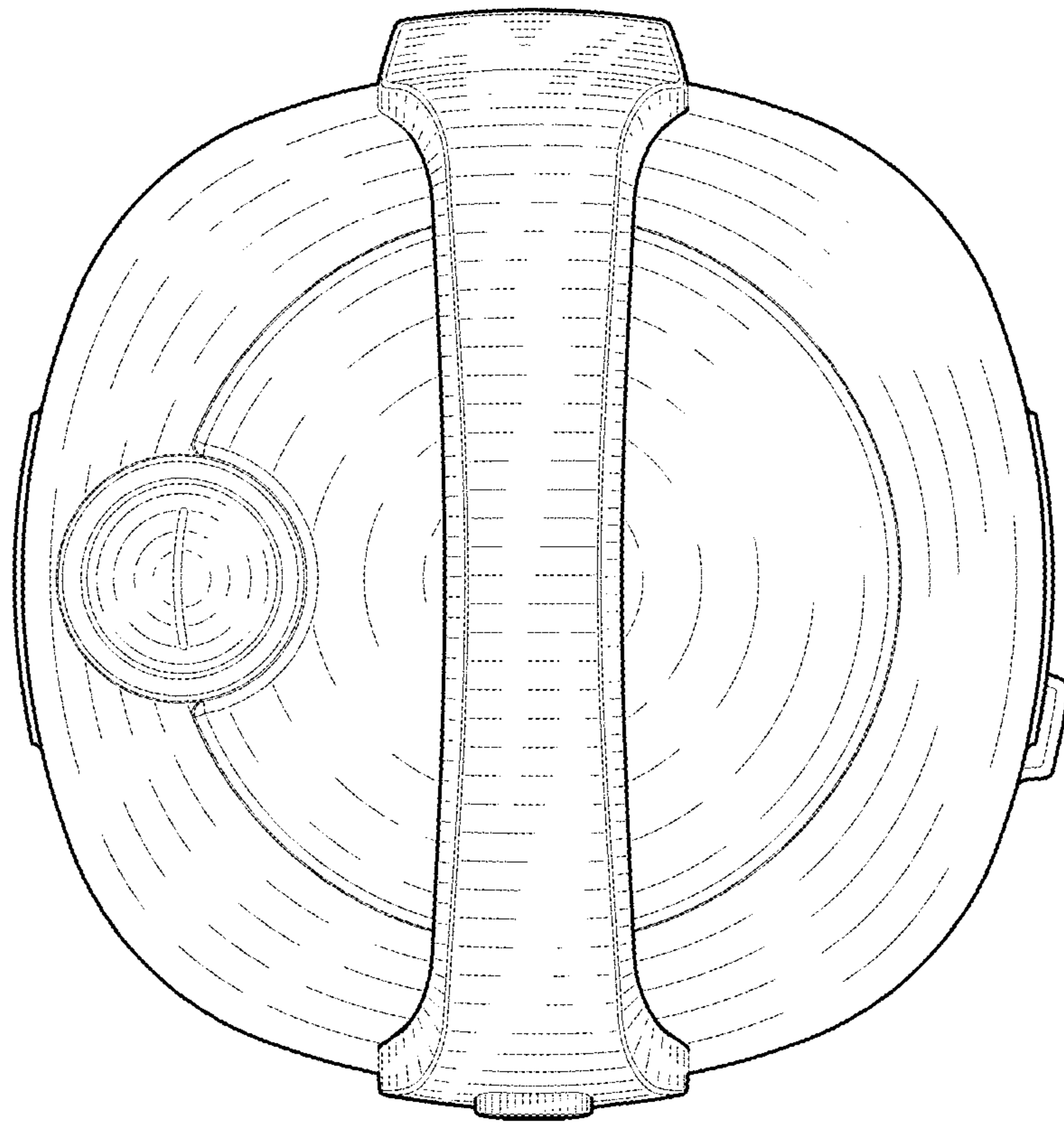


FIG. 6

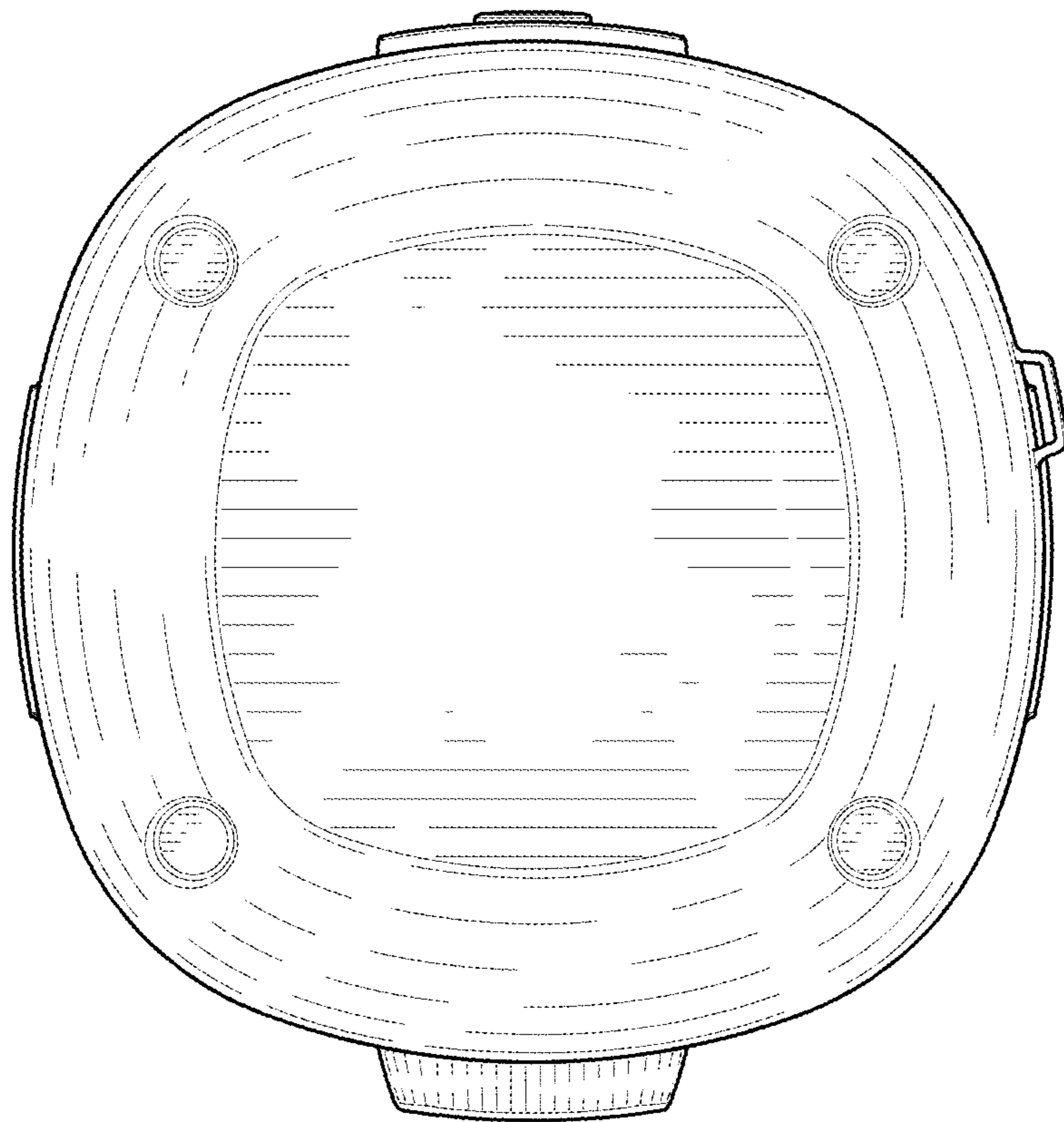


FIG. 7