



US00D770842S

(12) **United States Design Patent**  
**Affatato et al.**

(10) **Patent No.:** **US D770,842 S**

(45) **Date of Patent:** **\*\* Nov. 8, 2016**

(54) **OVEN**

(71) Applicant: **CNA International Inc.**, Wood Dale, IL (US)

(72) Inventors: **Kristin Marie Affatato**, Elmhurst, IL (US); **Steve Cho**, Chicago, IL (US); **Hyunchul Kim**, Chicago, IL (US); **Christopher Mark Stefko**, Chicago, IL (US)

(73) Assignee: **CNA International Inc.**, Wood Dale, IL (US)

(\*\*) Term: **14 Years**

(21) Appl. No.: **29/519,518**

(22) Filed: **Mar. 5, 2015**

(51) **LOC (10) Cl.** ..... **07-02**

(52) **U.S. Cl.**  
USPC ..... **D7/350.1**

(58) **Field of Classification Search**  
USPC ..... D7/332, 334-337, 402-405, 417, 338, D7/348; 126/275 E; D9/433  
CPC ..... A47J 37/0704; A47J 37/0763; A47J 37/0745; A47J 37/0713; A47J 37/0768; A47J 37/079; A47J 36/26; A47J 39/00; F24B 1/205; F24B 1/02; F24B 15/04; F24C 3/14; F24C 3/027; F24C 15/08; F47J 33/00; B65D 7/26; B65D 7/24; B65D 85/1045; B65D 85/18; A23B 4/052  
See application file for complete search history.

(56) **References Cited**

**U.S. PATENT DOCUMENTS**

D412,637 S \* 8/1999 Piret ..... D7/350.4  
D451,752 S \* 12/2001 Davis ..... D7/350.4

D466,757 S \* 12/2002 Hsu ..... D7/350.1  
D476,845 S \* 7/2003 Hsu ..... D7/350.4  
D479,943 S \* 9/2003 Smith-Berry ..... D7/350.4  
D628,433 S \* 12/2010 Pino ..... D7/350.1  
D662,349 S \* 6/2012 Ho ..... D7/350.1  
D678,711 S \* 3/2013 Reiner ..... D7/350.1  
D723,323 S \* 3/2015 Carlson ..... D7/350.1  
D737,622 S \* 9/2015 Miller ..... D7/328  
D738,154 S \* 9/2015 Miller ..... D7/328  
D742,163 S \* 11/2015 De'Longhi ..... D7/350.1  
D746,625 S \* 1/2016 Miller ..... D7/350.1

\* cited by examiner

*Primary Examiner* — Cynthia M Chin

(74) *Attorney, Agent, or Firm* — McDermott Will & Emery LLP

(57) **CLAIM**

We claim the ornamental design for an oven, as shown and described.

**DESCRIPTION**

FIG. 1 is a front top perspective view of an oven according to the new design.

FIG. 2 is a back bottom perspective view of the oven shown in FIG. 1.

FIG. 3 is a front view of the oven shown in FIG. 1.

FIG. 4 is a back view of the oven shown in FIG. 1.

FIG. 5 is a left side view of the oven shown in FIG. 1.

FIG. 6 is a right side view of the oven shown in FIG. 1.

FIG. 7 is a top view of the oven shown in FIG. 1; and,

FIG. 8 is a bottom view of the oven shown in FIG. 1.

Features shown in broken lines in the drawings are not part of the claim.

**1 Claim, 7 Drawing Sheets**

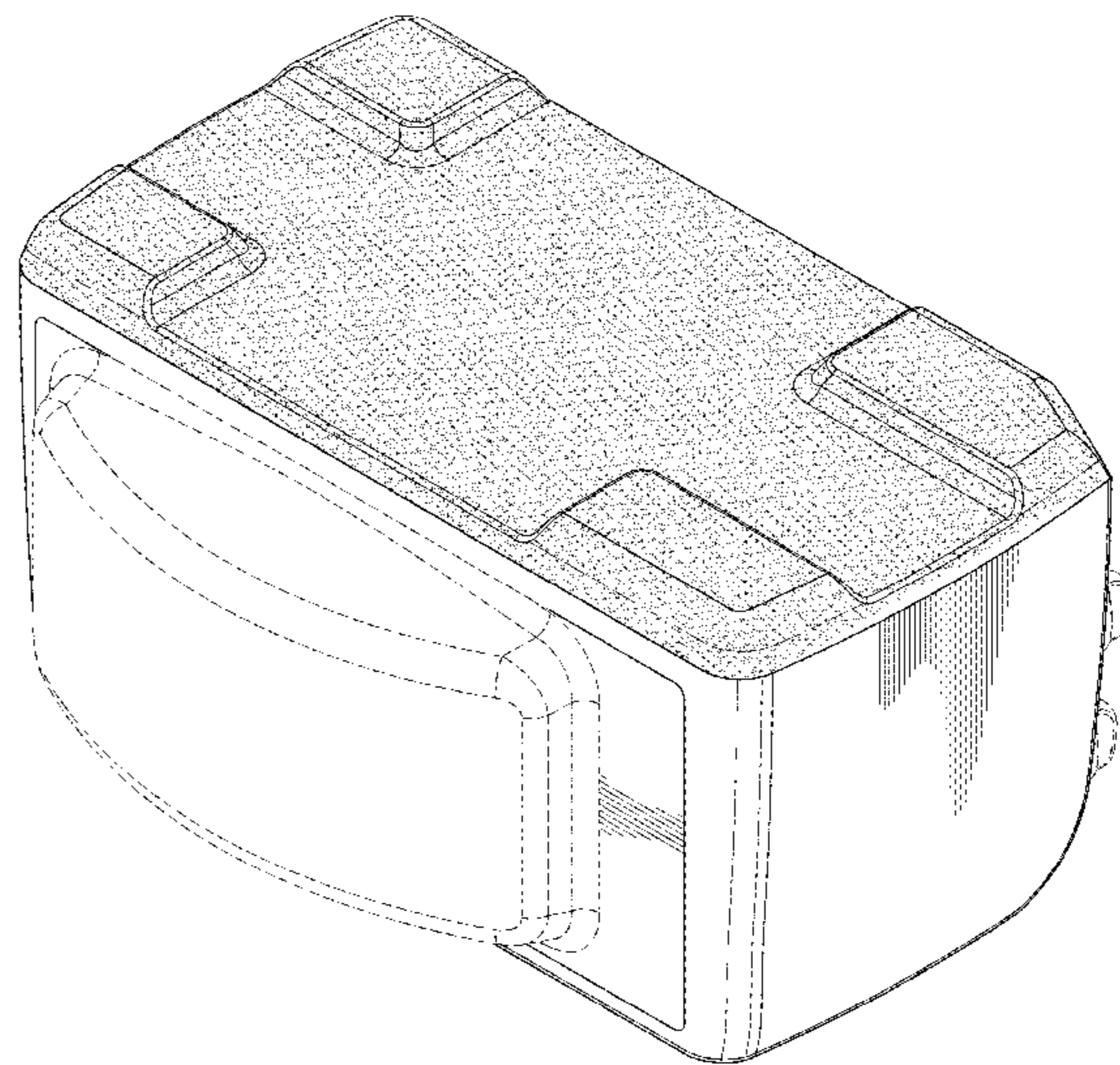
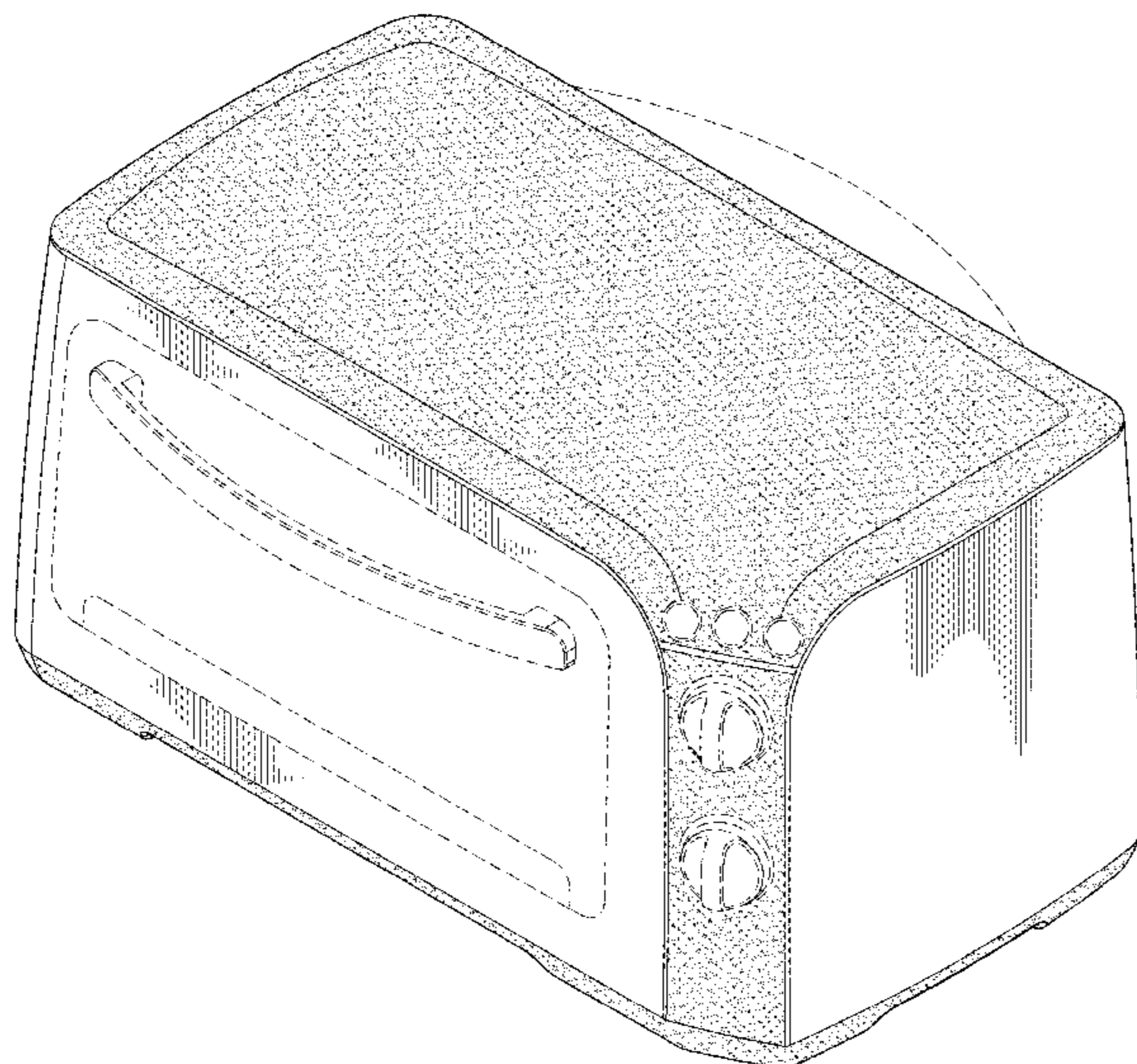


FIG. 1

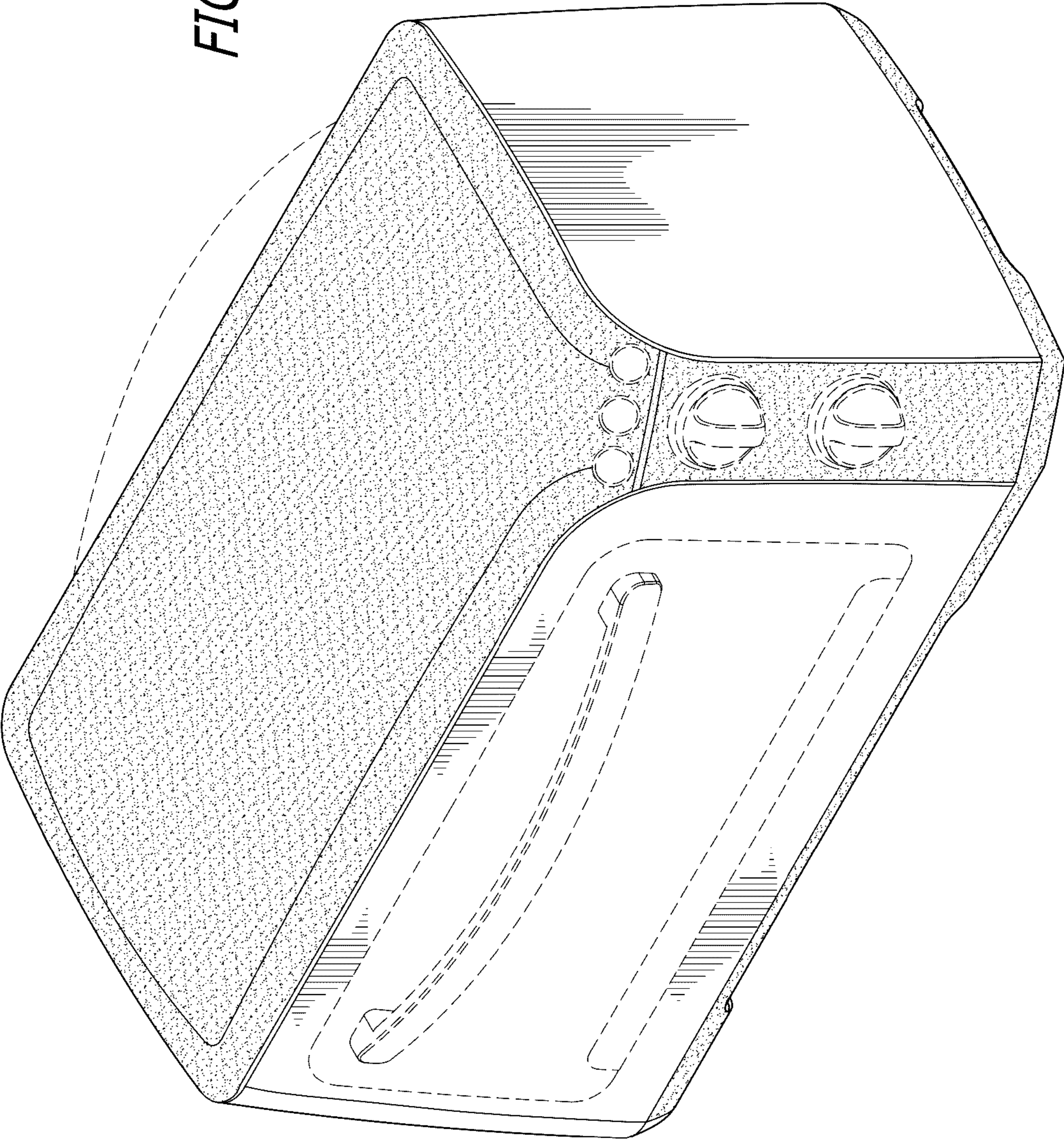
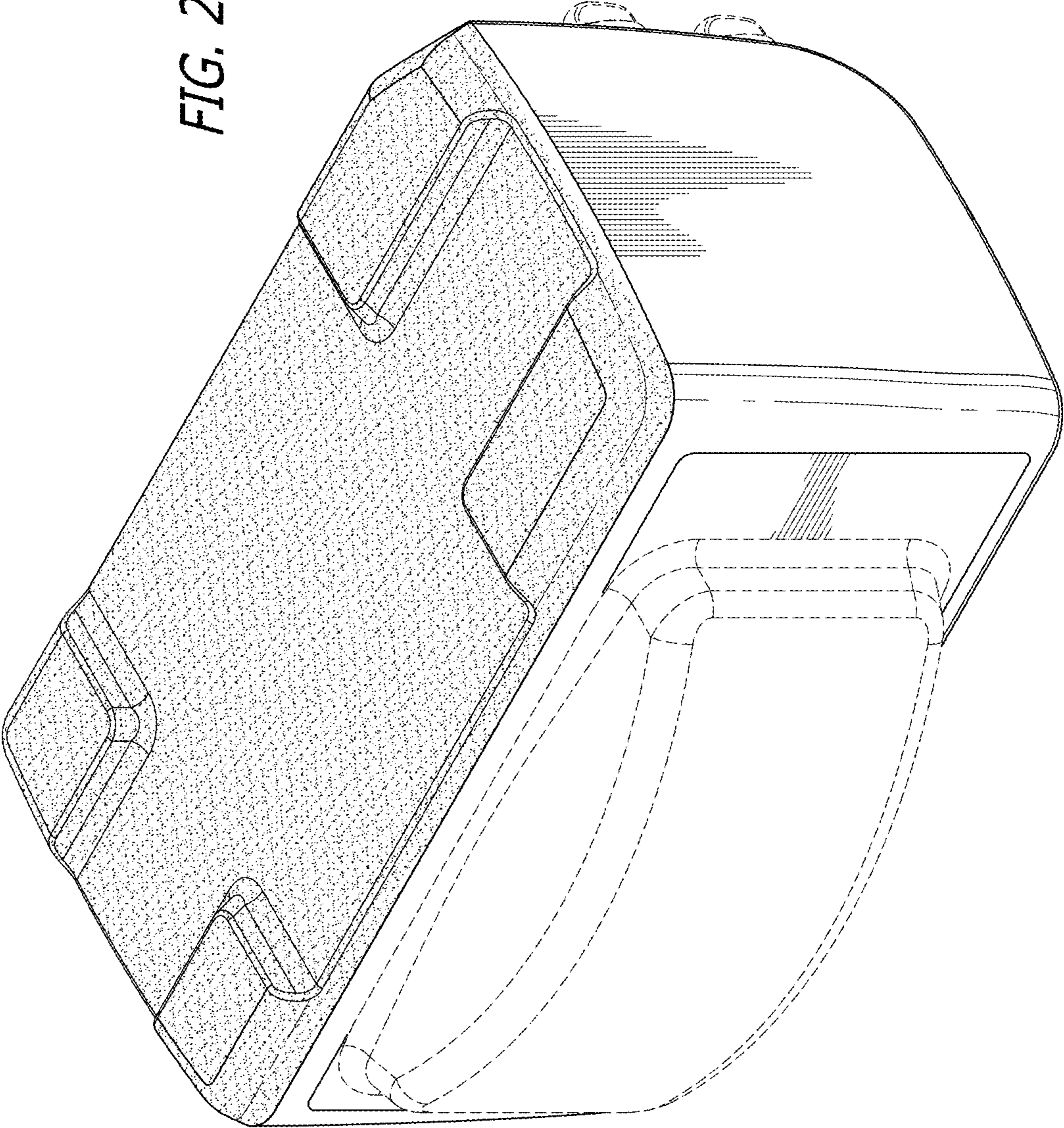


FIG. 2



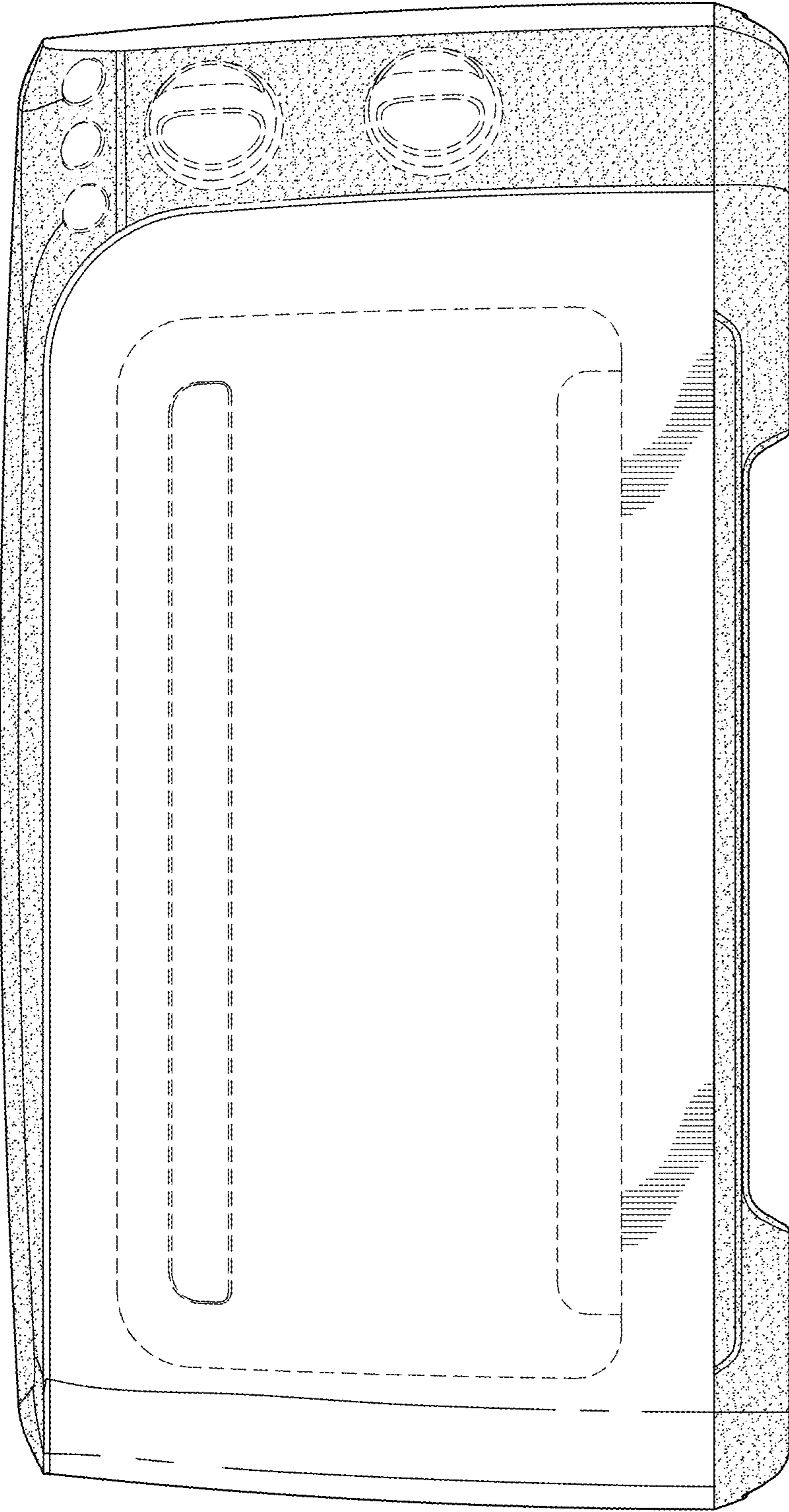


FIG. 3

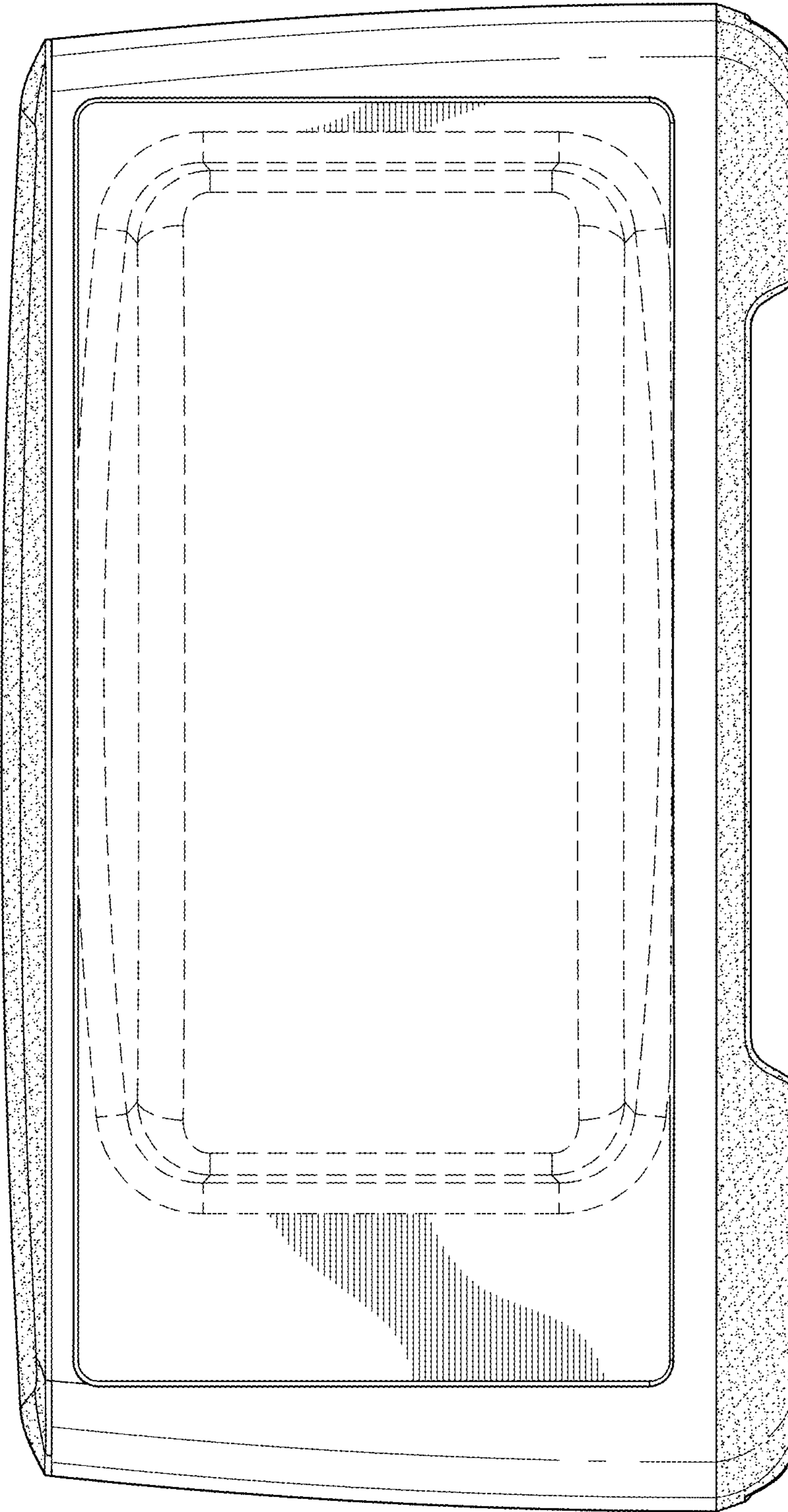
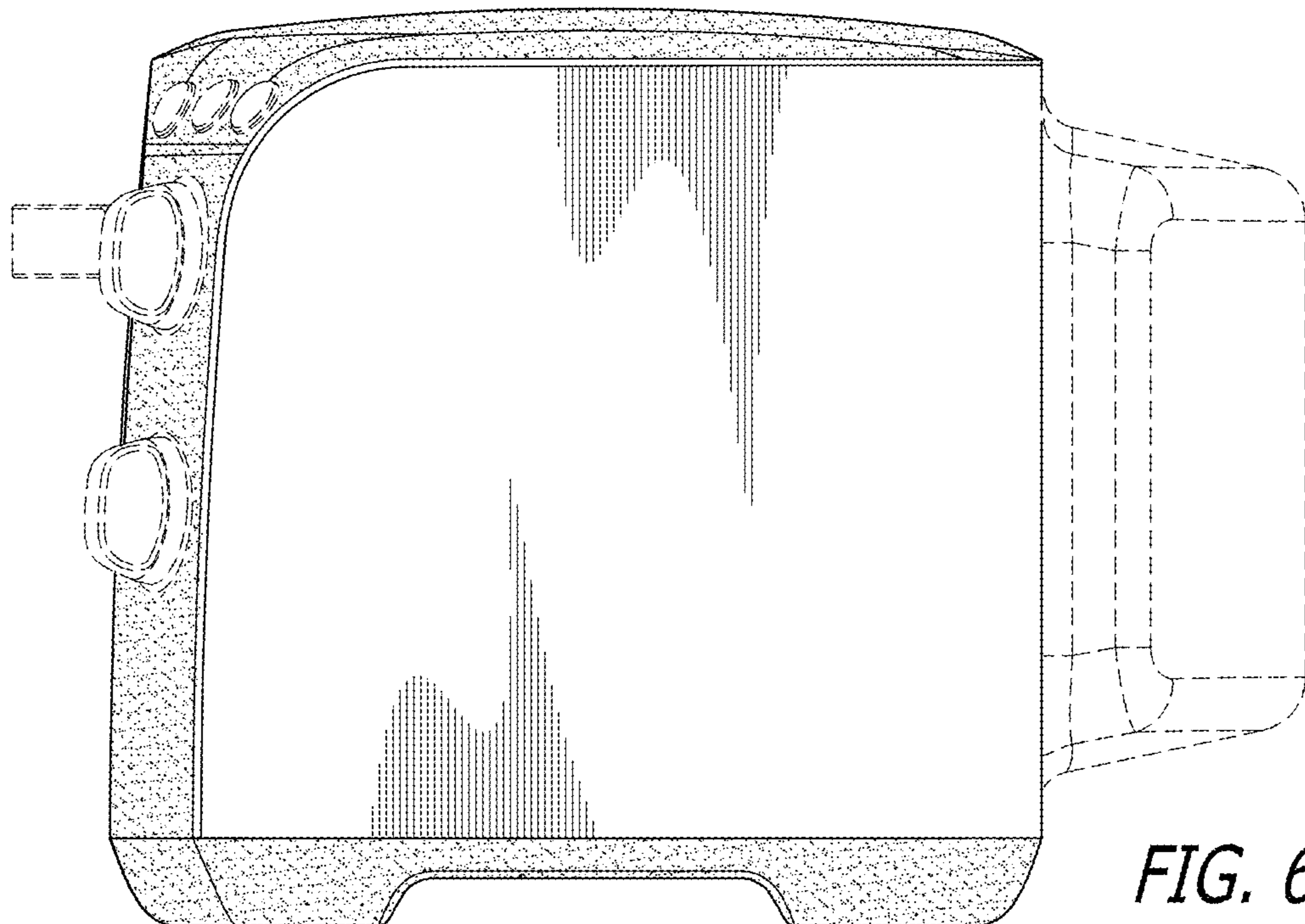
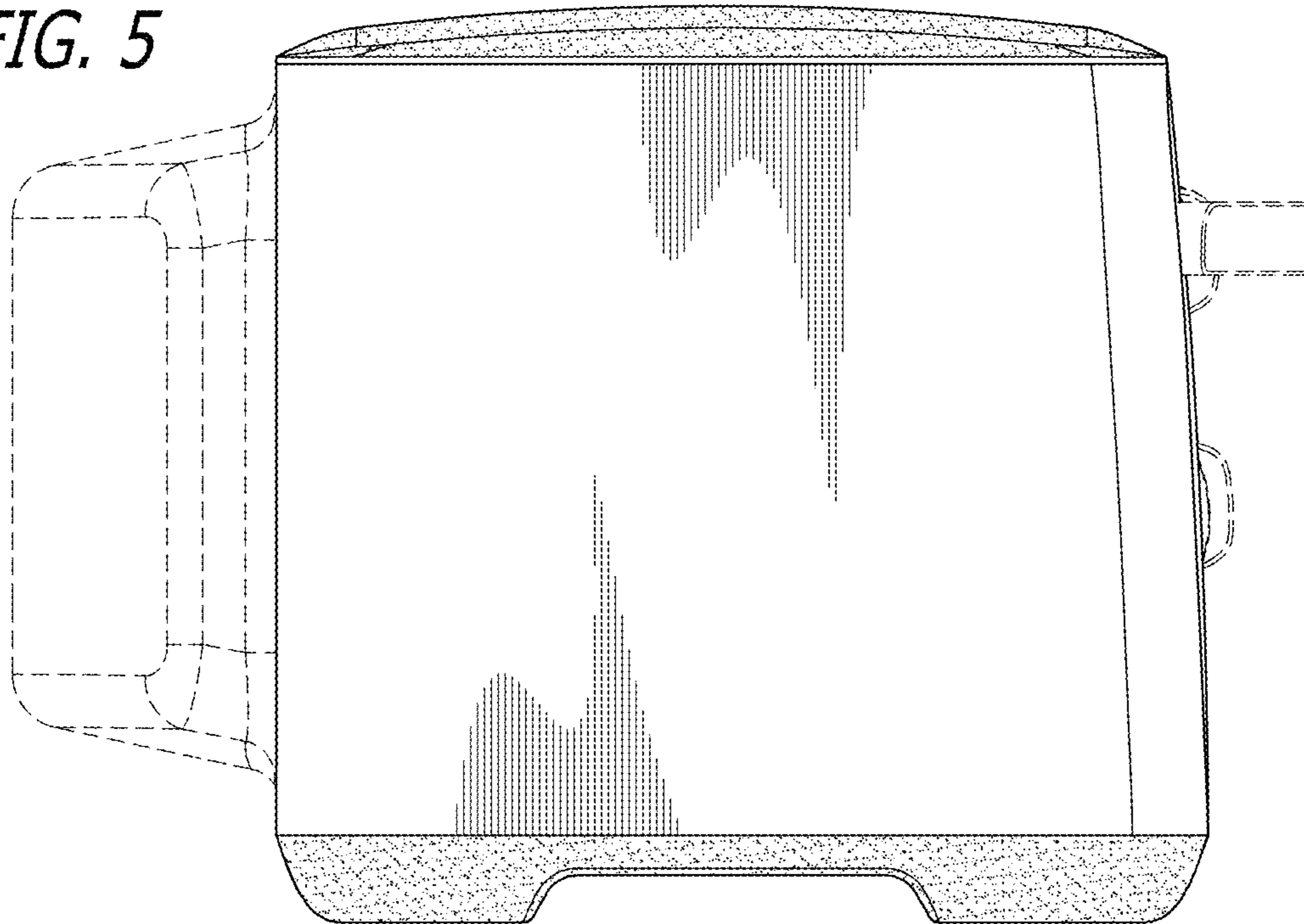


FIG. 4

*FIG. 5*



*FIG. 6*

FIG. 7

