



US00D770839S

(12) **United States Design Patent** (10) **Patent No.:** **US D770,839 S**
Shoemaker et al. (45) **Date of Patent:** **** Nov. 8, 2016**

(54) **OVEN**

(56) **References Cited**

(71) Applicant: **Sears Brands, L.L.C.**, Hoffman Estates, IL (US)

U.S. PATENT DOCUMENTS

(72) Inventors: **Anthony Shoemaker**, Bartlett, IL (US); **Jason Silverstein**, Hoffman Estates, IL (US); **Daniel Green**, Charlotte, NC (US); **Roddy Burgess**, Charlotte, NC (US)

D523,685 S *	6/2006	Jung	D7/340
D526,527 S *	8/2006	Jung	D7/348
D541,578 S *	5/2007	Jeon	D7/350.1
D566,464 S *	4/2008	Martin	D7/405
D580,698 S *	11/2008	Kim	D7/348
D611,756 S *	3/2010	Yalcin	D7/349
D646,112 S *	10/2011	Park	D7/348
D654,299 S *	2/2012	Benold	D7/350.1
D669,297 S *	10/2012	Tanaka	D7/349
D690,994 S *	10/2013	Baek	D7/405
D736,027 S *	8/2015	Funnell, II	D7/339
D745,310 S *	12/2015	Funnell, II	D7/349
D750,414 S *	3/2016	Funnell, II	D7/348

(73) Assignee: **Sears Brands, L.L.C.**, Hoffman Estates, IL (US)

(**) Term: **15 Years**

* cited by examiner

(21) Appl. No.: **29/528,397**

Primary Examiner — Ricky Pham

(22) Filed: **May 28, 2015**

(74) *Attorney, Agent, or Firm* — McAndrews, Held & Malloy, Ltd.

(51) **LOC (10) Cl.** **07-02**

(52) **U.S. Cl.**
USPC **D7/349**; D7/348

(57) **CLAIM**

The ornamental design for an oven, as shown and described.

(58) **Field of Classification Search**

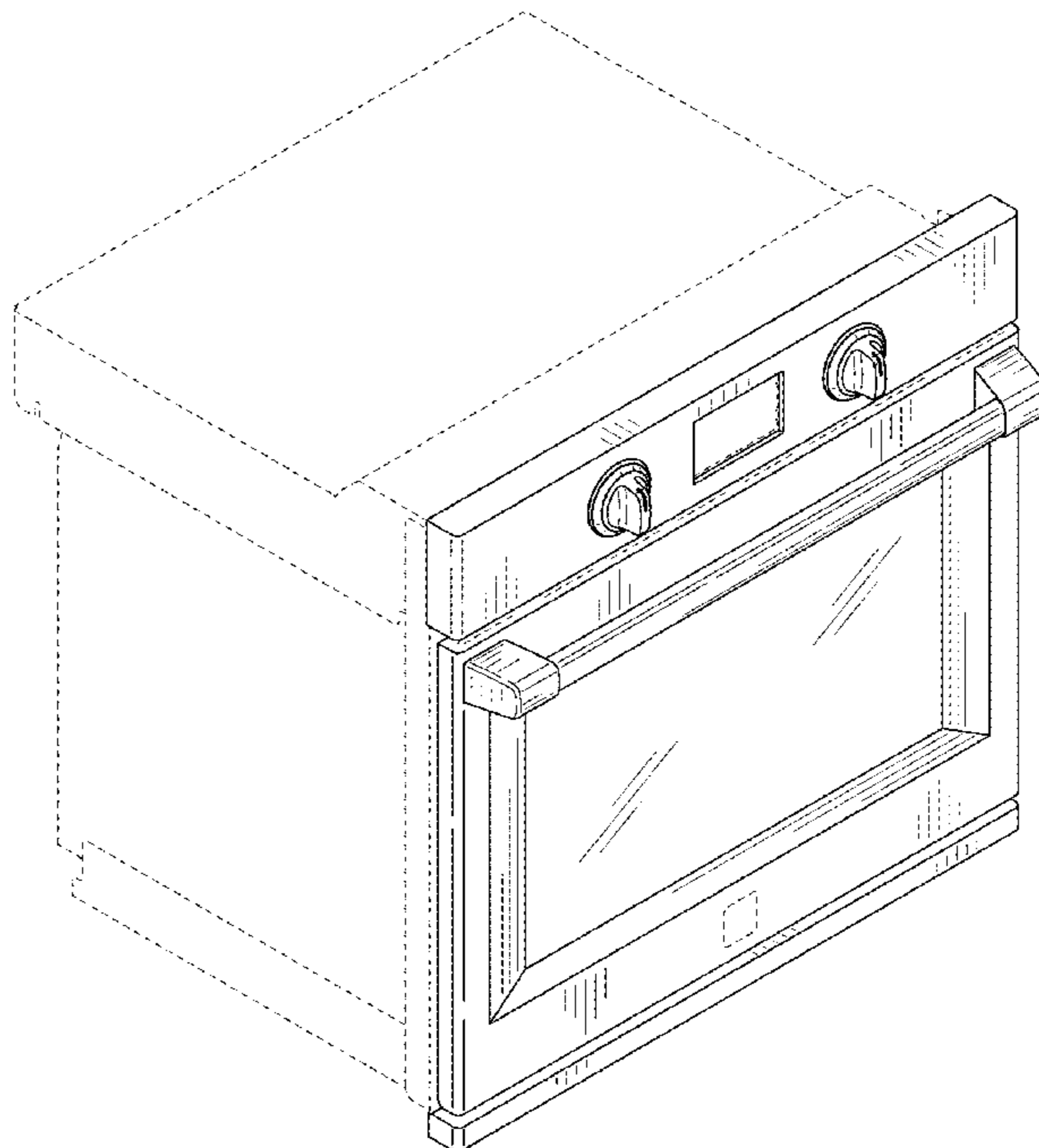
DESCRIPTION

USPC D7/323, 328–330, 339–349, 350.1, 390, D7/402–406; D8/300–306
CPC A21B 2/00; A47J 37/00; A47J 37/06; A47J 37/0611; A47J 37/08; A47J 37/0807; A47J 37/0814; A47J 37/0835; A47J 37/0842; A47J 37/085; A47J 37/0864; A47J 37/0878; A47J 37/0885; A47J 37/0892; F24C 7/00; F24C 7/002; F24C 7/046; F24C 7/067; F24C 15/02; F24C 15/04; F24C 15/10; F24C 15/102

FIG. 1 is a top left front perspective view of an oven showing our new design;
FIG. 2 is a front view thereof;
FIG. 3 is a right-side elevation view thereof;
FIG. 4 is a left-side elevation view thereof;
FIG. 5 is a top plan view thereof; and,
FIG. 6 is a bottom plan view thereof.
The dashed broken lines illustrate portions of the oven that form no part of the claimed design.

See application file for complete search history.

1 Claim, 4 Drawing Sheets



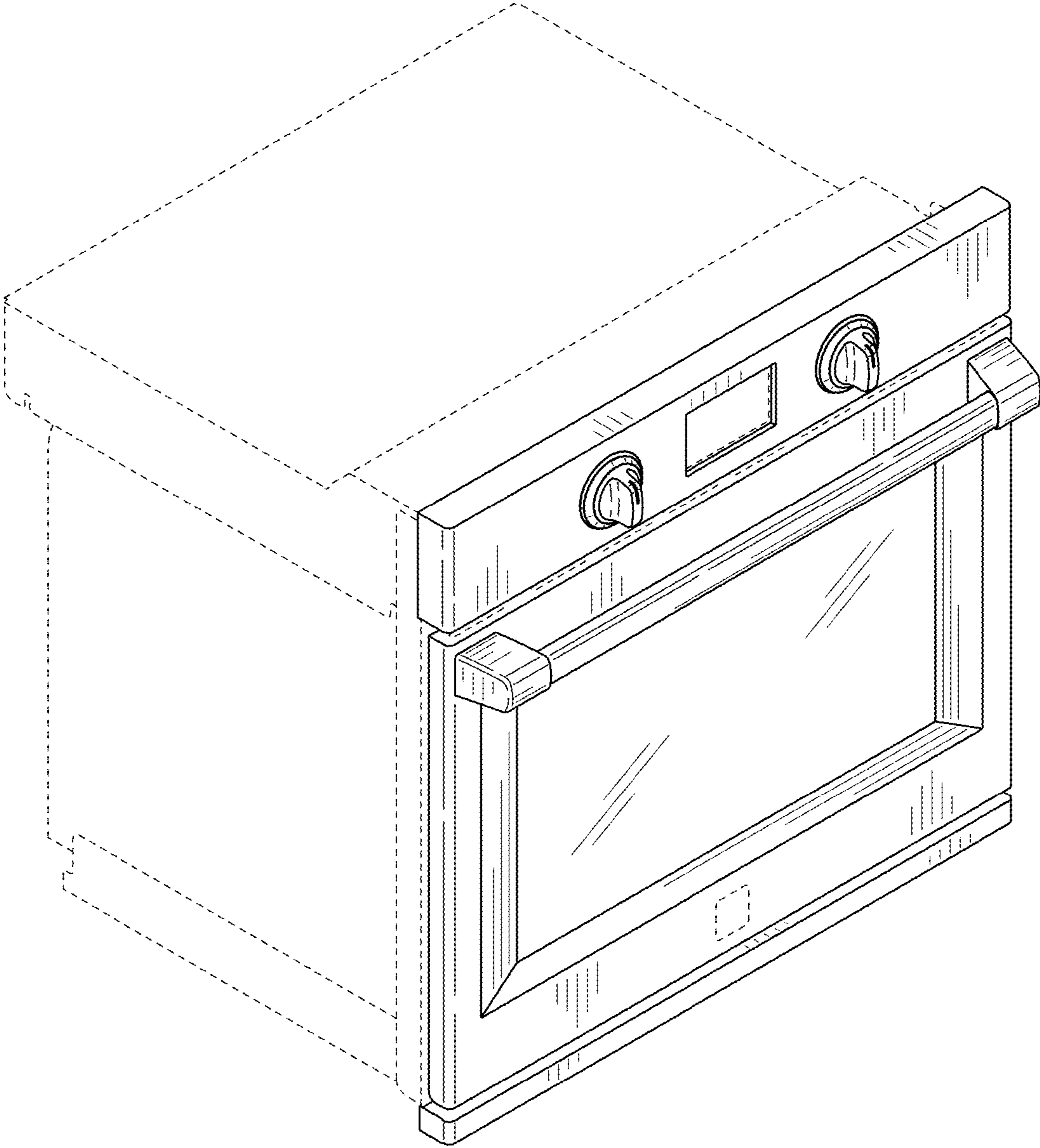


FIG. 1

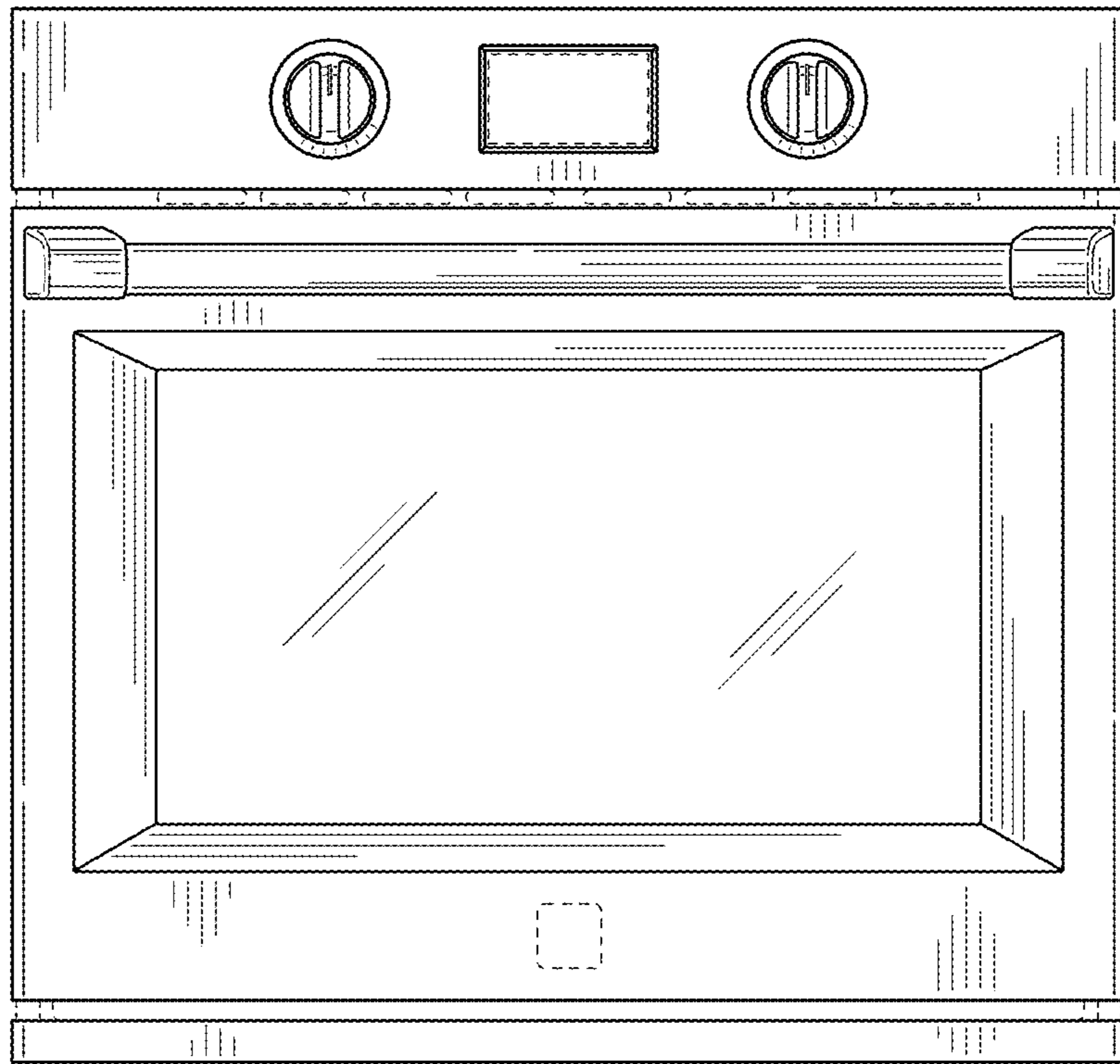


FIG. 2

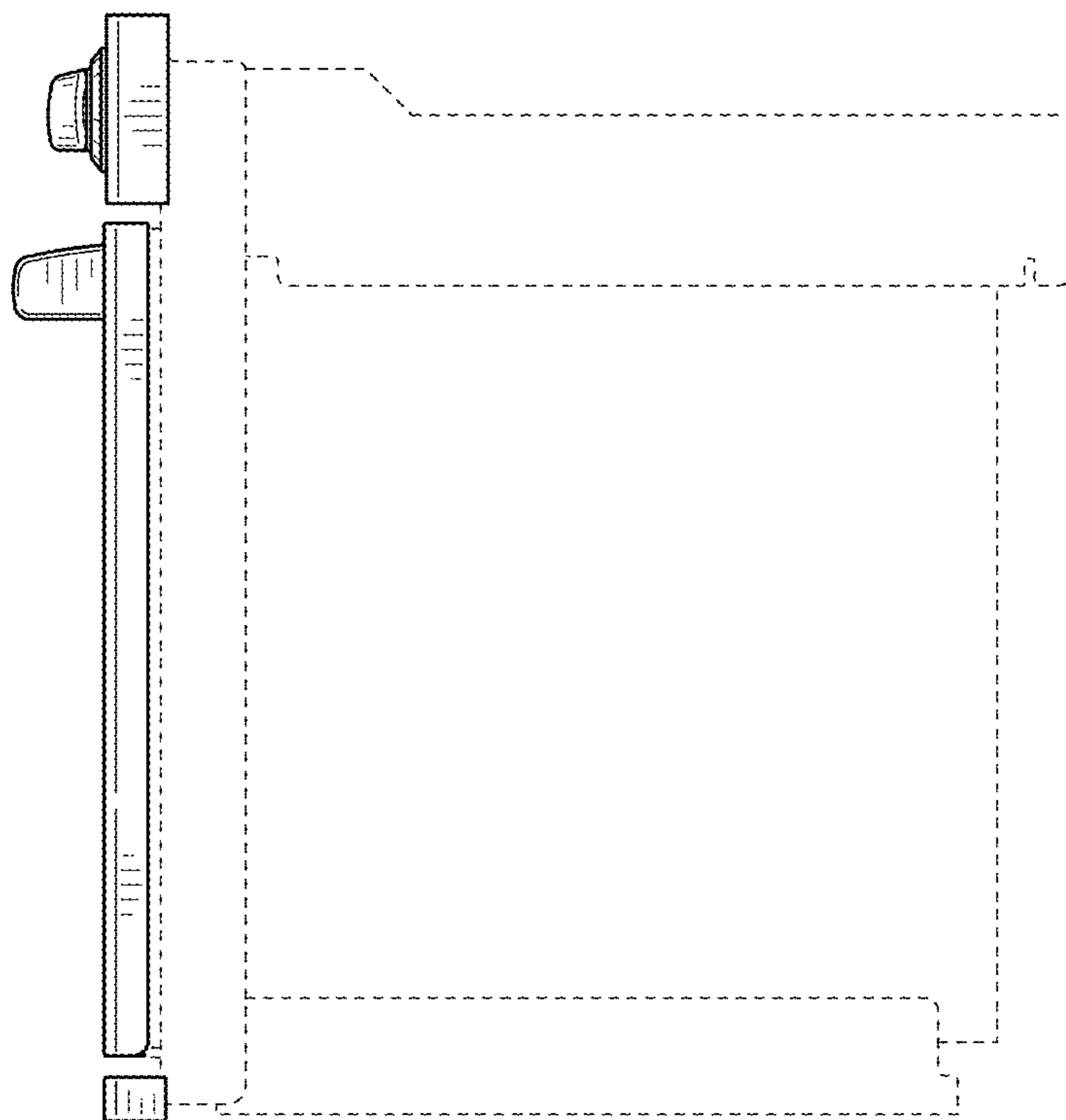


FIG. 3

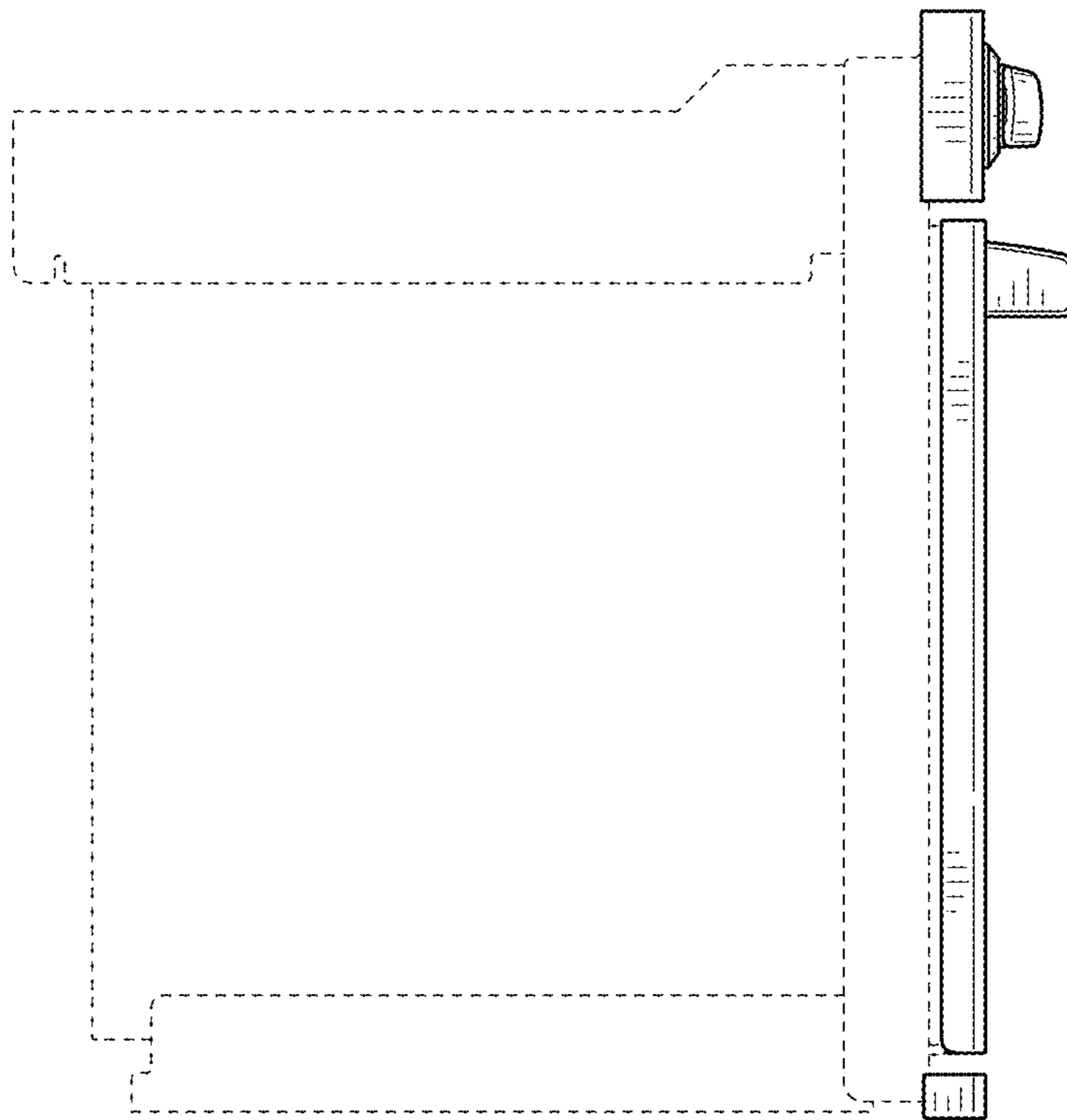


FIG. 4

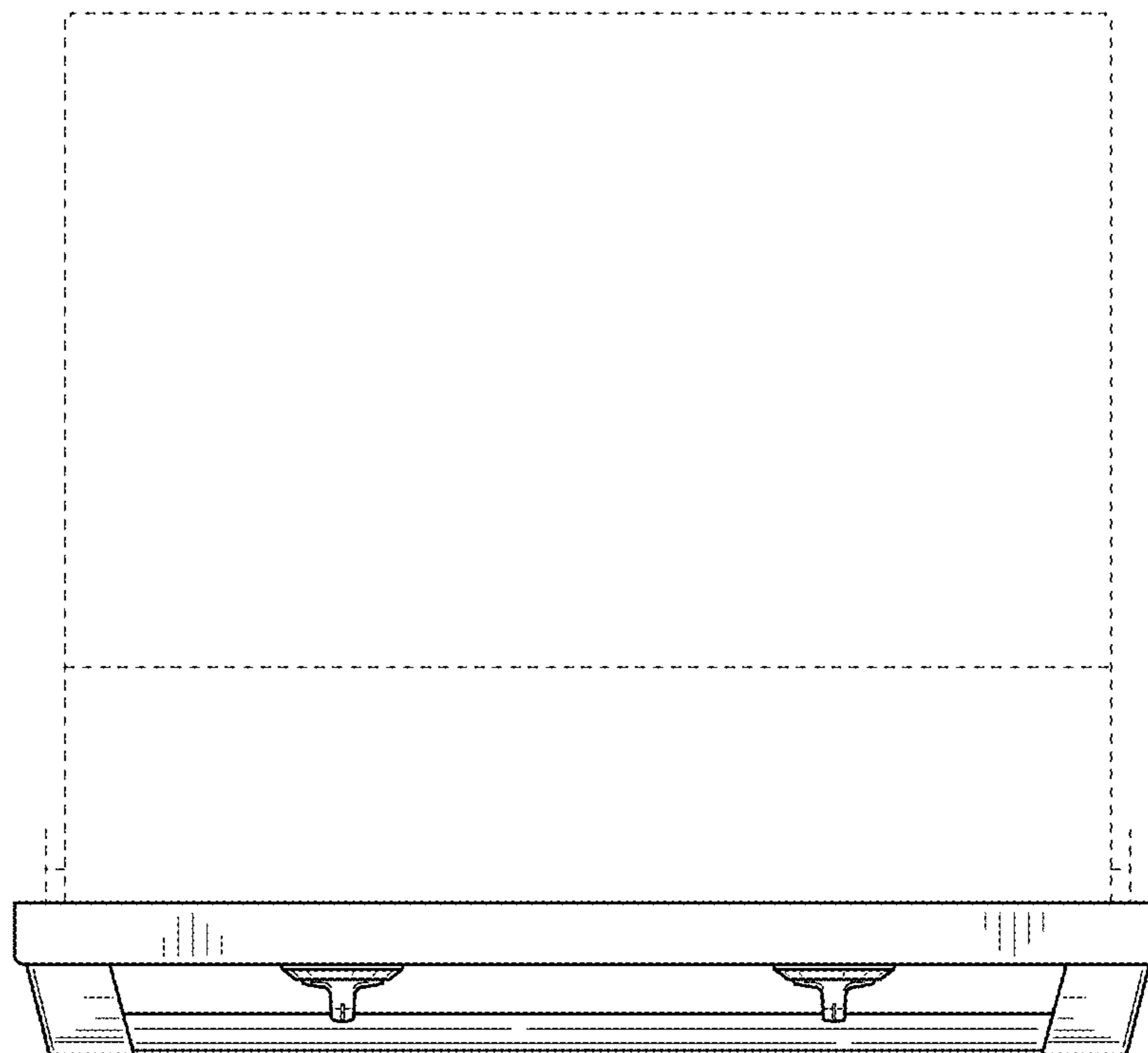


FIG. 5

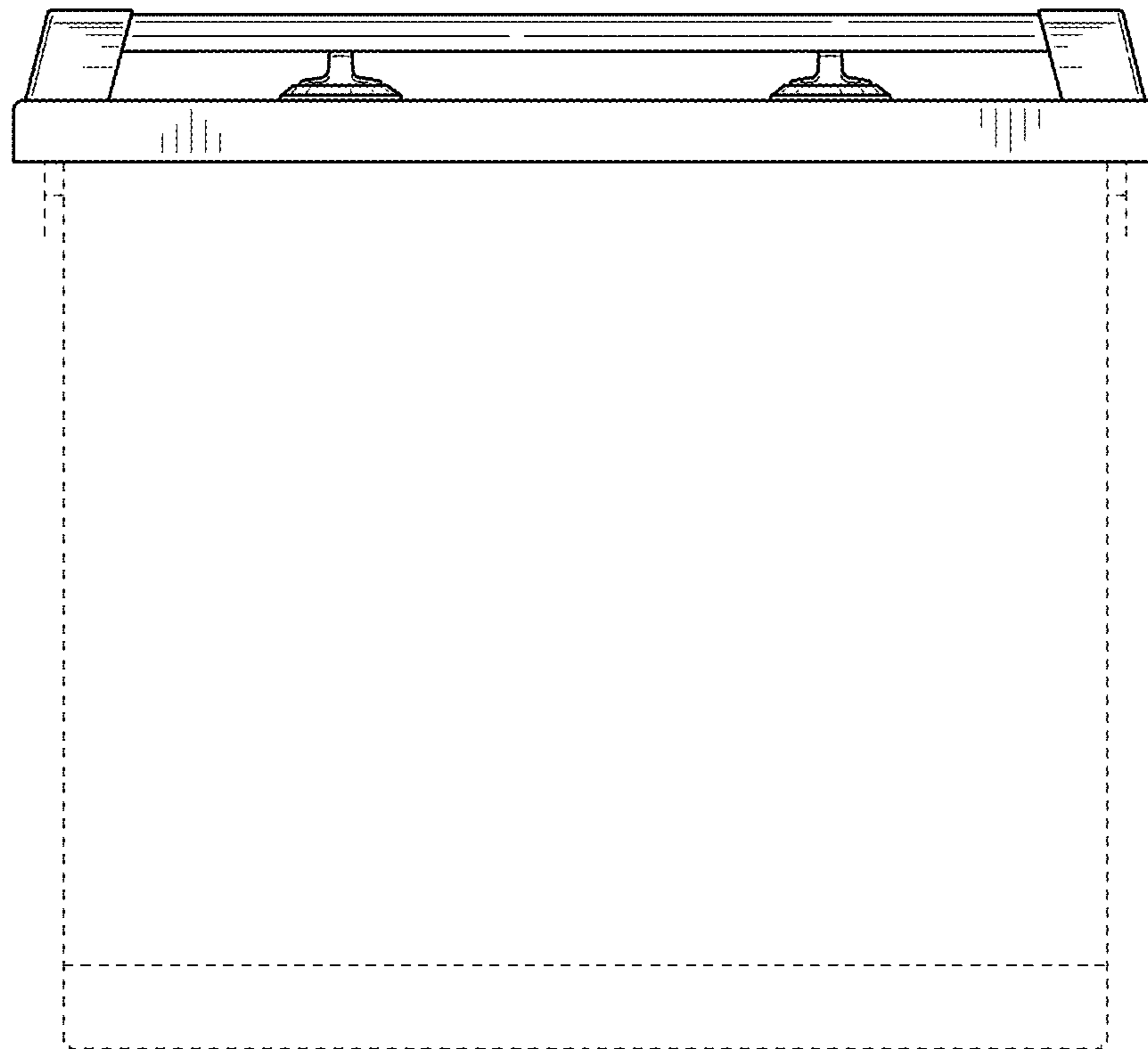


FIG. 6