



US00D770838S

(12) **United States Design Patent** (10) **Patent No.:** **US D770,838 S**
Yang (45) **Date of Patent:** **** Nov. 8, 2016**

- (54) **KNIFE**
- (71) Applicant: **Telebrands Corp.**, Fairfield, NJ (US)
- (72) Inventor: **Jun Yang**, Ningbo (CN)
- (73) Assignee: **Telebrands Corp.**, Fairfield, NJ (US)
- (**) Term: **15 Years**
- (21) Appl. No.: **29/527,971**
- (22) Filed: **May 22, 2015**
- (51) **LOC (10) Cl.** **07-03**
- (52) **U.S. Cl.**
USPC **D7/349; D7/401.2**
- (58) **Field of Classification Search**
USPC D7/368, 401.2, 642-645, 649-664, 669,
D7/675-677, 683, 688-689, 691; D8/20,
D8/99, 107, 300-301; D22/117-118
CPC A01B 1/20; A01B 1/22; A01D 9/02;
A01D 9/04; A01D 9/06; A47G 21/00;
A47G 21/004; A47G 21/005; A47G 21/02;
A47G 21/023; A47G 21/04; A47G 21/06;
A47G 21/08; A47J 43/28; A47J 43/281;
A47J 43/282; A61F 13/10; A61J 7/0023;
B25G 1/00; B25G 1/01; B25G 1/02; B25G
3/00; B26B 3/00; B26B 3/02; B26B 3/03;
B26B 9/00; B26B 9/02; B26B 11/00; B26B
11/006; B65D 75/56; B65D 75/563; B65D
75/566; B67B 7/00; B67B 7/724; B67B 7/73
See application file for complete search history.

(56) **References Cited**

U.S. PATENT DOCUMENTS

- 495,110 A * 4/1893 Hayes et al. B26B 9/02
30/355
- 2,279,833 A 4/1942 Madan
- 2,315,898 A * 4/1943 Krilow B26B 9/02
30/345
- 2,338,007 A * 12/1943 Morris B26B 9/02
30/345

- D177,743 S * 5/1956 Marx D7/650
- 2,803,876 A * 8/1957 Nelson B26B 9/00
30/115
- D248,166 S 6/1978 Kanai
- D248,167 S 6/1978 Kanai
- D302,092 S 7/1989 Cohen et al.
- D304,154 S 10/1989 Osterhout
- D372,648 S 8/1996 Cohen et al.
- D403,204 S 12/1998 Kwok
- D439,806 S 4/2001 Juhlin et al.
- D442,841 S 5/2001 Balolia
- D464,539 S 10/2002 Richwine et al.
- D468,973 S * 1/2003 Sun D7/650
- D525,088 S 7/2006 Fort et al.
- D545,637 S 7/2007 Curtin
- D552,430 S * 10/2007 Chen D7/649
- D554,949 S 11/2007 Hood
- D573,850 S 7/2008 Curtin

(Continued)

OTHER PUBLICATIONS

Mad Hungry 2-Piece AirBlade Knife Set with Sheaths, available at www.qvc.com, accessed on Jan. 15, 2015.

(Continued)

Primary Examiner — Ricky Pham

(74) *Attorney, Agent, or Firm* — Cooper & Dunham, LLP

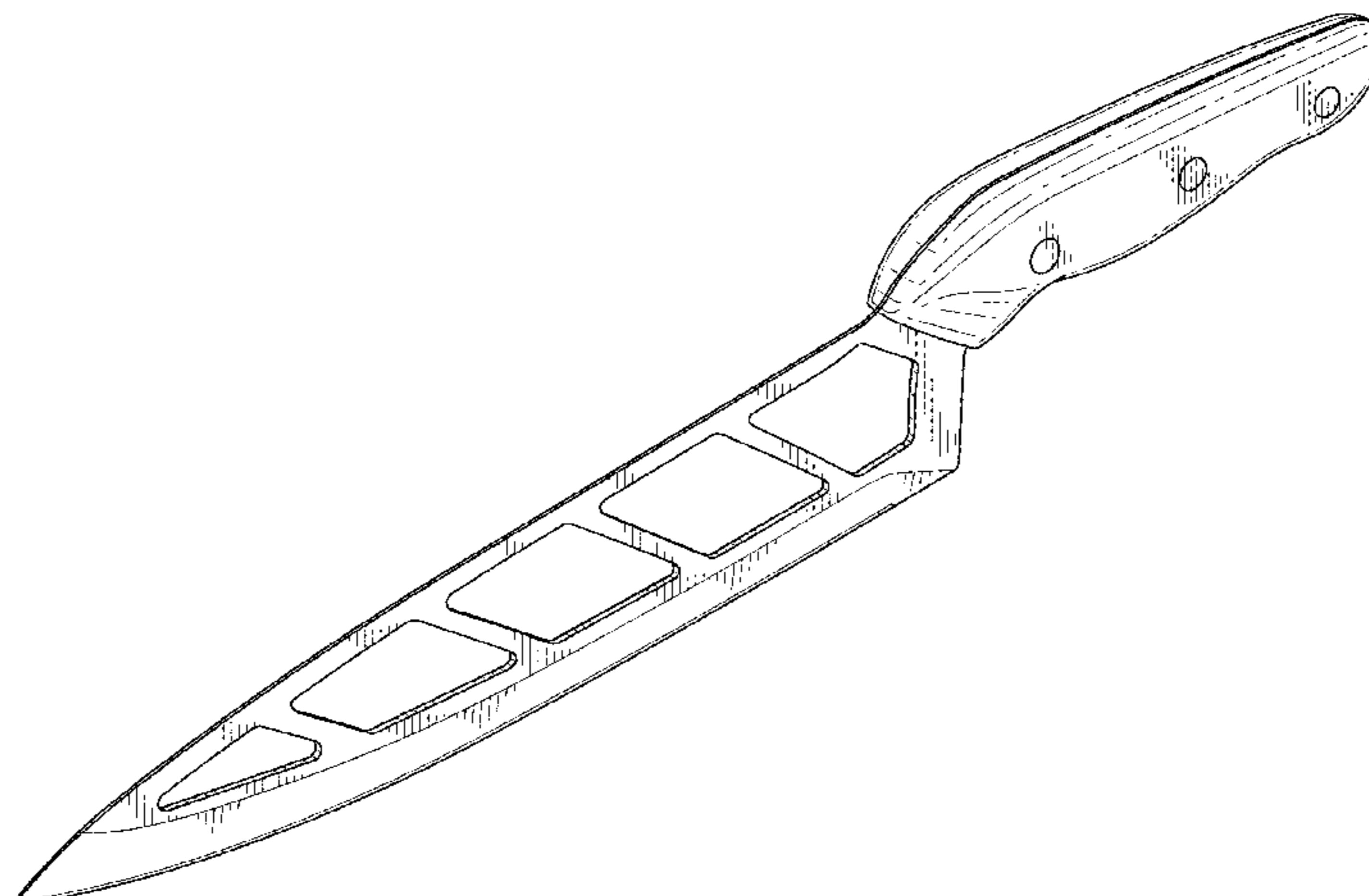
(57) **CLAIM**

The ornamental design for a knife, as shown and described.

DESCRIPTION

FIG. 1 is a perspective view of a knife in accordance with the present design;
 FIG. 2 is a right side view thereof;
 FIG. 3 is a left side view thereof;
 FIG. 4 is a front view thereof;
 FIG. 5 is a back view thereof;
 FIG. 6 is a top view thereof; and,
 FIG. 7 is a bottom view thereof.
 The shading represents contour of the claimed design.

1 Claim, 5 Drawing Sheets



(56)

References Cited

U.S. PATENT DOCUMENTS

| | | | |
|----------------|---------|-------------------|-----------|
| D581,732 S | 12/2008 | Epstein | |
| D581,733 S | 12/2008 | Epstein | |
| D588,433 S * | 3/2009 | van Deursen | D8/99 |
| D600,506 S | 9/2009 | Miltner et al. | |
| D626,794 S | 11/2010 | Hollinger | |
| D626,795 S | 11/2010 | Hollinger | |
| D629,261 S | 12/2010 | Hollinger | |
| D639,833 S | 6/2011 | Inkster | |
| D643,256 S | 8/2011 | Hirai | |
| D643,257 S | 8/2011 | Hirai | |
| D643,261 S | 8/2011 | Spiegel | |
| D643,263 S | 8/2011 | Spiegel | |
| D677,998 S | 3/2013 | Kusanagi | |
| D678,367 S | 3/2013 | Inkster | |
| D686,049 S * | 7/2013 | Ji | D8/20 |
| D692,731 S * | 11/2013 | Solari | D7/649 |
| D693,186 S | 11/2013 | Hollinger | |
| D696,083 S * | 12/2013 | Hollinger | D7/649 |
| D699,345 S | 2/2014 | Seeds et al. | |
| D701,093 S * | 3/2014 | Follmer | D7/649 |
| D704,010 S | 5/2014 | Shahani | |
| D732,901 S | 6/2015 | Shahani | |
| 9,126,324 B2 * | 9/2015 | Hunkele | B26B 3/03 |

OTHER PUBLICATIONS

Prodyne Multi-Use Knife, available at www.sears.com, accessed on Jan. 20, 2015.

Pro-Touch 6 Inch Knife, available at www.messermeister.com, accessed on Jan. 20, 2015.

Dexter-Russell 40013 Duo-Glide Knife, available at www.webstaurantstore.com, accessed on Jan. 20, 2015.

Classic Non-Stick Knife, available at www.cuisinartwebstore.com, accessed on Jan. 20, 2015.

Mercer Millennia Santoku Knife, available at www.webstaurantstore.com, accessed on Jan. 20, 2015.

Miyabi Evolution Chef's Knives, available at www.surlatable.com, accessed on Jan. 20, 2015.

Bob Kramer Essential Collection Chef's Knives, available at www.surlatable.com, accessed on Jan. 20, 2015.

Spyderco: Byrd Cara Folding Knife, available at www.knifecenter.com, accessed on Jan. 20, 2015.

Yoshihiro Cutlery Hammered Damascus Petty Chef Knife, available at www.amazon.com, accessed on Jan. 20, 2015.

Ken Onion Rain Collection 8 Inch Chef's Knife, available at www.amazon.com, accessed on Jan. 20, 2015.

Bob Kramer 8 Inch Damascus Chef's Knife, available at www.amazon.com, accessed on Jan. 20, 2015.

Wusthof Classic 8 Inch Bread Knife Serrated, available at www.metrokitchen.com, accessed on Jan. 20, 2015.

Zwilling J.A. Henckels Twin Signature 5 Inch Utility Knife, available at www.bedbathandbeyond.com, accessed on Jan. 20, 2015.

Zwilling J.A. Henckels International Fine Edge Pro 5 Inch Utility Knife, available at www.wayfair.com, accessed on Jan. 20, 2015.

Shun Reserve 6" Serrated Utility Knife, available at www.williams-sonoma.com, accessed on Jan. 20, 2015.

U.S. Appl. No. 29/527,958, filed May 22, 2015.

U.S. Appl. No. 29/527,959, filed May 22, 2015.

U.S. Appl. No. 29/527,962, filed May 22, 2015.

U.S. Appl. No. 29/527,963, filed May 22, 2015.

U.S. Appl. No. 29/527,964, filed May 22, 2015.

U.S. Appl. No. 29/527,966, filed May 22, 2015.

U.S. Appl. No. 29/527,967, filed May 22, 2015.

U.S. Appl. No. 29/527,969, filed May 22, 2015; and.

U.S. Appl. No. 29/527,955, filed May 22, 2015.

* cited by examiner

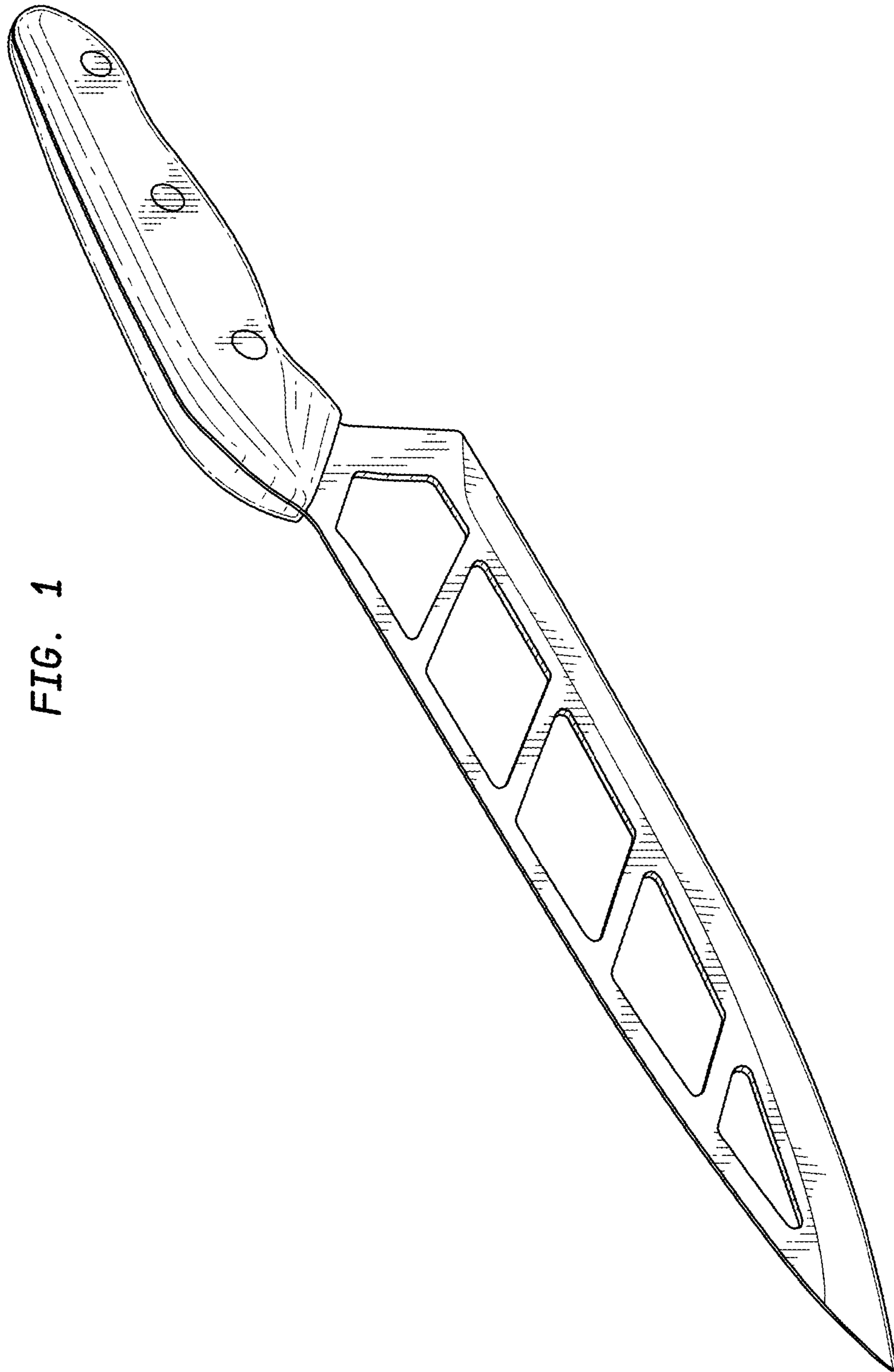


FIG. 1

FIG. 2

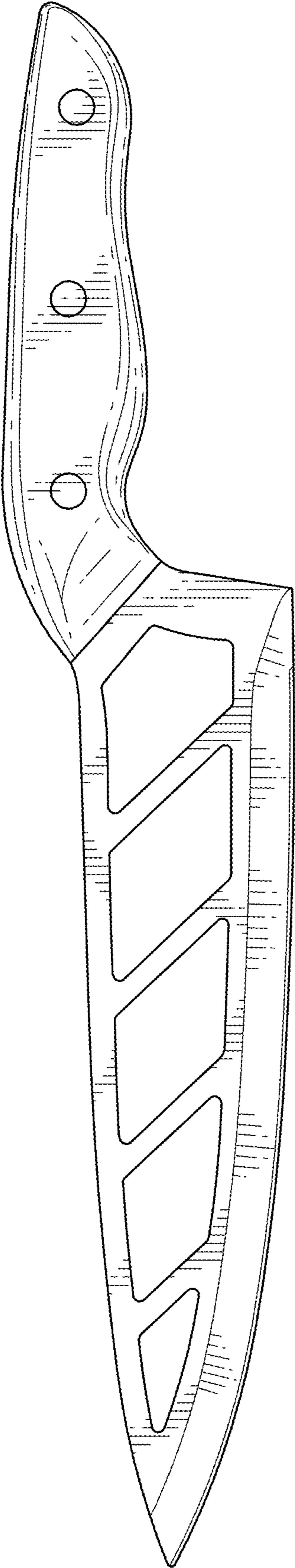


FIG. 3

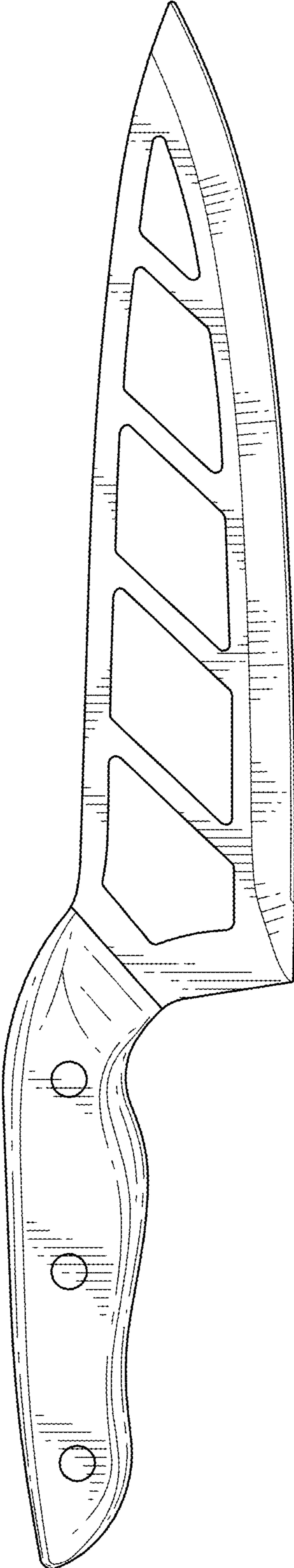


FIG. 4

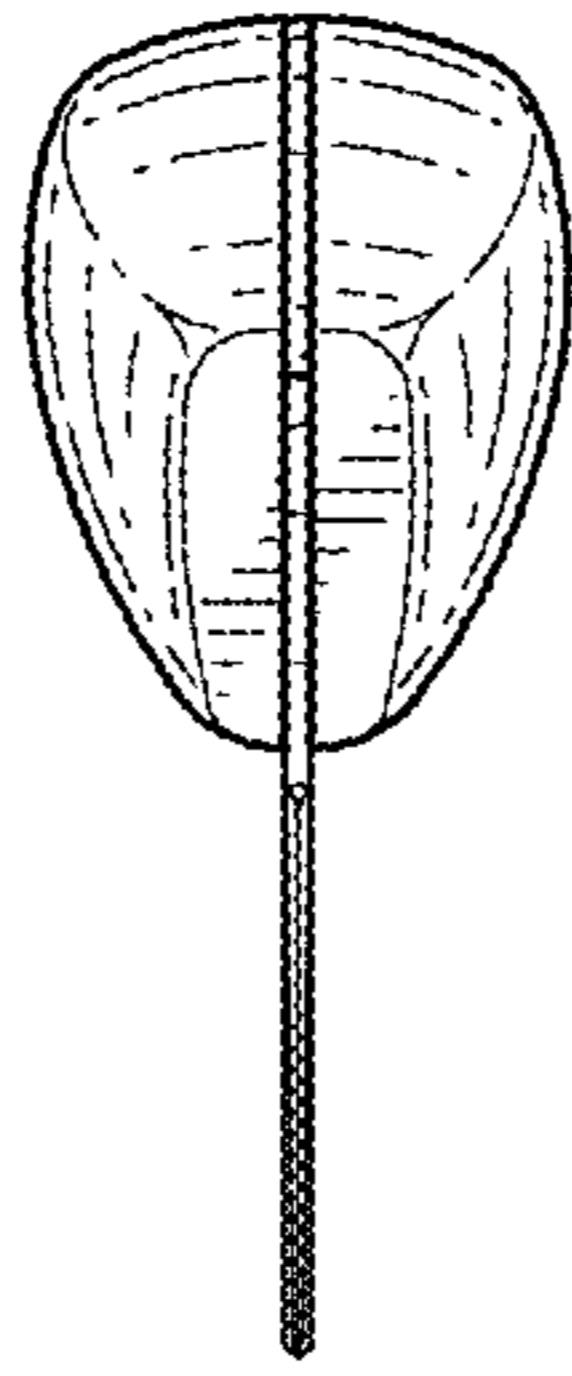


FIG. 5

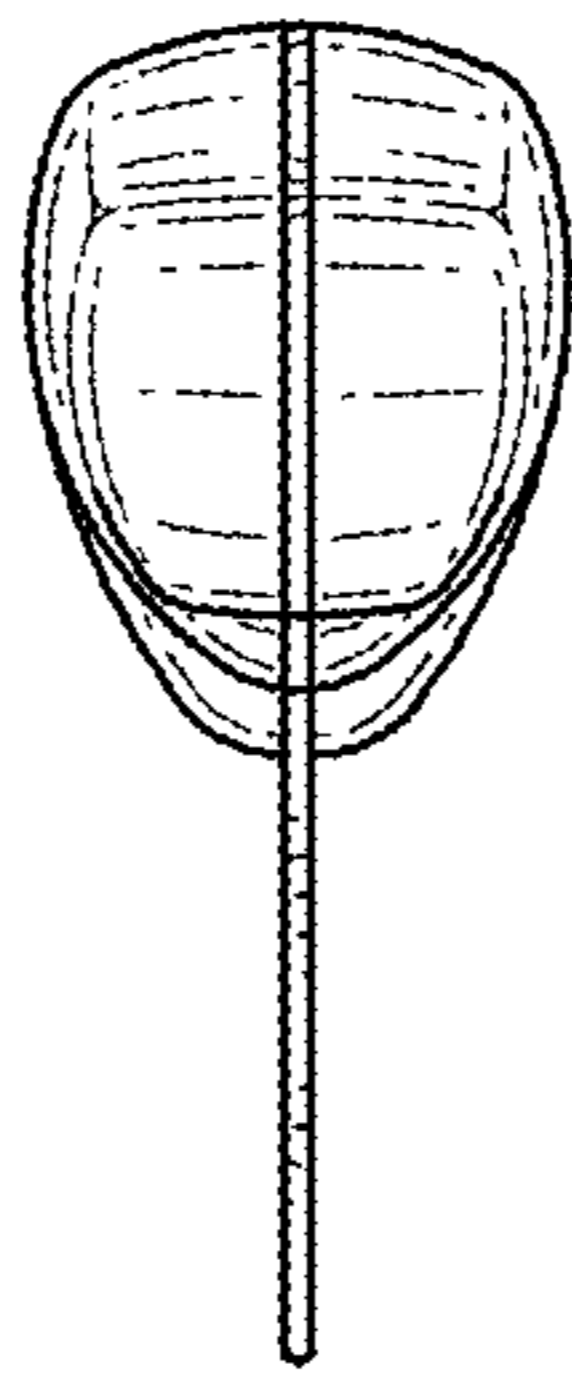


FIG. 6

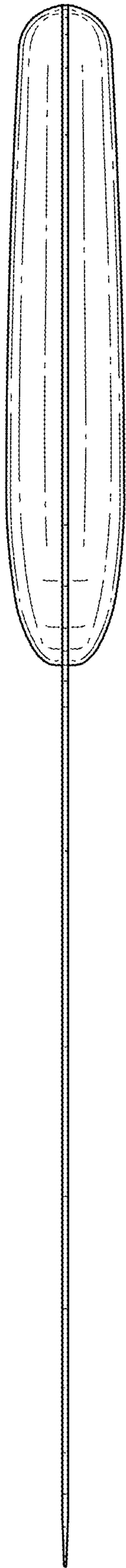


FIG. 7

