



US00D770834S

(12) **United States Design Patent** (10) **Patent No.:** **US D770,834 S**
Yang (45) **Date of Patent:** **** Nov. 8, 2016**

(54) **KNIFE**
(71) Applicant: **Telebrands Corp.**, Fairfield, NJ (US)
(72) Inventor: **Jun Yang**, Ningbo (CN)
(73) Assignee: **Telebrands Corp.**, Fairfield, NJ (US)
(**) Term: **15 Years**
(21) Appl. No.: **29/527,959**
(22) Filed: **May 22, 2015**
(51) **LOC (10) Cl.** **07-03**
(52) **U.S. Cl.**
USPC **D7/349; D7/401.2**
(58) **Field of Classification Search**
USPC D7/368, 401.2, 642-645, 649-664, 669,
D7/675-677, 683, 688-689, 691; D8/20,
D8/99, 107, 300-301; D22/117-118
CPC A01B 1/20; A01B 1/22; A01D 9/02;
A01D 9/04; A01D 9/06; A47G 21/00;
A47G 21/004; A47G 21/005; A47G 21/02;
A47G 21/023; A47G 21/04; A47G 21/06;
A47G 21/08; A47J 43/28; A47J 43/281;
A47J 43/282; A61F 13/10; A61J 7/2003;
B25G 1/00; B25G 1/01; B25G 1/02; B25G
3/00; B26B 3/00; B26B 3/02; B26B 3/03;
B26B 9/00; B26B 9/02; B26B 11/00; B26B
11/006; B65D 75/56; B65D 75/563; B65D
75/566; B67B 7/00; B67B 7/724; B67B 7/73
See application file for complete search history.

(56) **References Cited**
U.S. PATENT DOCUMENTS
495,110 A * 4/1893 Hayes et al. B26B 9/02
30/355
2,279,833 A 4/1942 Madan
2,315,898 A * 4/1943 Krilow B26B 9/02
30/345
2,338,007 A * 12/1943 Morris B26B 9/02
30/345

D177,743 S 5/1956 Marx
2,803,876 A * 8/1957 Nelson B26B 9/00
30/115
D248,166 S 6/1978 Kanai
D248,167 S 6/1978 Kanai
D302,092 S 7/1989 Cohen et al.
D304,154 S 10/1989 Osterhout
D372,648 S 8/1996 Cohen et al.
D403,204 S 12/1998 Kwok
D439,806 S 4/2001 Juhlin
D442,841 S 5/2001 Balolia
D464,539 S 10/2002 Richwine et al.
D468,973 S * 1/2003 Sun D7/650
D525,088 S 7/2006 Fort et al.
D545,637 S 7/2007 Curtin
D552,430 S * 10/2007 Chen D7/649

(Continued)

OTHER PUBLICATIONS

Mad Hungry 2-Piece AirBlade Knife Set with Sheaths, available at
www.qvc.com, accessed on Jan. 15, 2015.
(Continued)

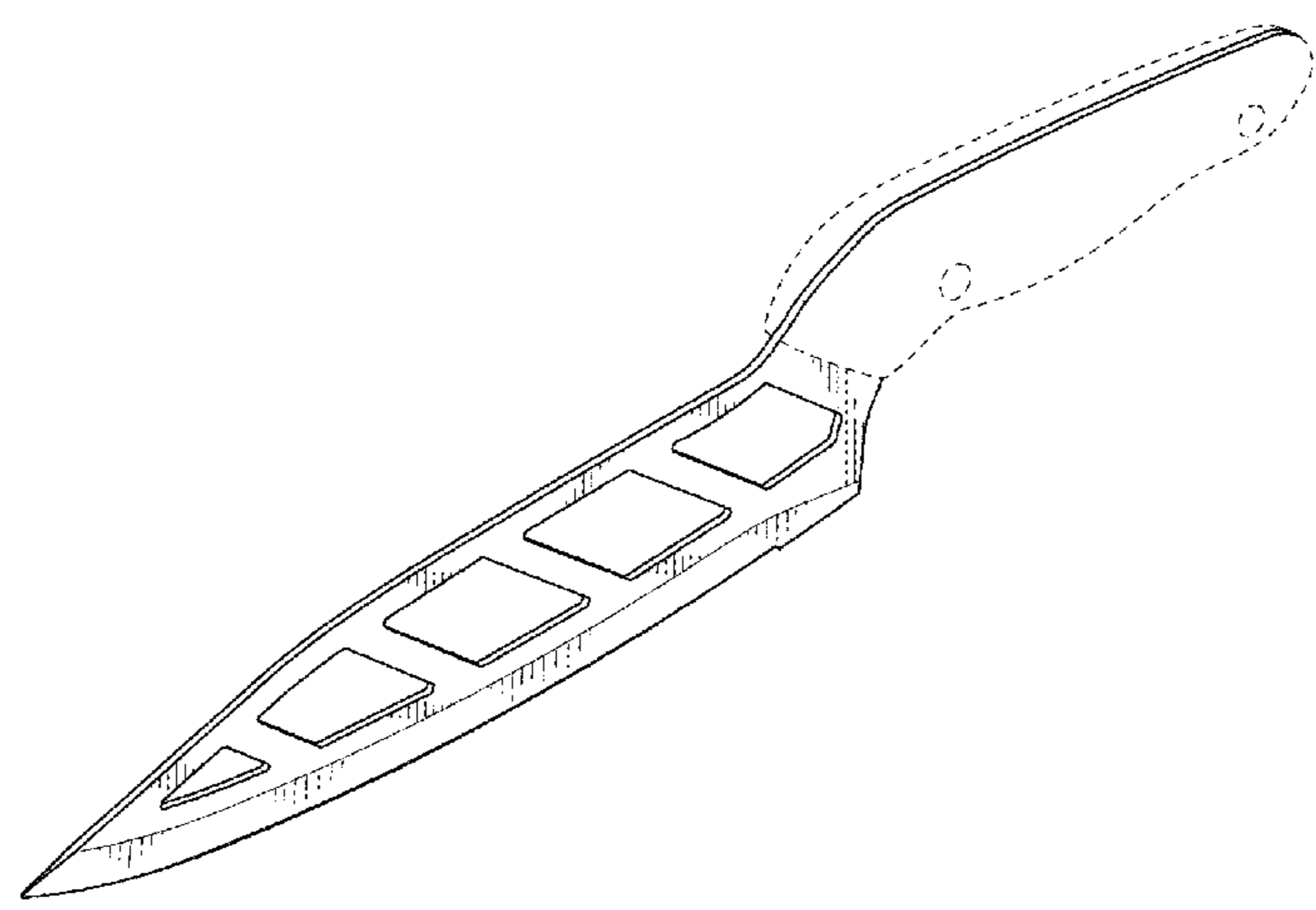
Primary Examiner — Ricky Pham
(74) *Attorney, Agent, or Firm* — Cooper & Dunham, LLP

(57) **CLAIM**
The ornamental design for a knife, as shown and described.

DESCRIPTION

FIG. 1 is a perspective view of a knife in accordance with
the present design;
FIG. 2 is a right side view thereof;
FIG. 3 is a left side view thereof;
FIG. 4 is a front view thereof;
FIG. 5 is a back view thereof;
FIG. 6 is a top view thereof; and,
FIG. 7 is a bottom view thereof.
The broken lines are for illustrative purposes only and form
no part of the claimed design. The shading represents
contour of the claimed design.

1 Claim, 5 Drawing Sheets



(56)

References Cited

U.S. PATENT DOCUMENTS

D554,949 S 11/2007 Hood
 D573,850 S 7/2008 Curtin
 D581,732 S 12/2008 Epstein
 D581,733 S 12/2008 Epstein
 D588,433 S * 3/2009 van Deursen D8/99
 D600,506 S 9/2009 Miltner et al.
 D626,794 S 11/2010 Hollinger
 D626,795 S 11/2010 Hollinger
 D629,261 S 12/2010 Hollinger
 D639,833 S 6/2011 Inkster
 D643,256 S 8/2011 Hirai
 D643,257 S 8/2011 Hirai
 D643,261 S 8/2011 Spiegel
 D643,263 S 8/2011 Spiegel
 D677,998 S 3/2013 Kusanagi
 D678,367 S 3/2013 Inkster
 D686,049 S * 7/2013 Ji D8/20
 D692,731 S * 11/2013 Solari D7/649
 D693,186 S 11/2013 Hollinger
 D696,083 S * 12/2013 Hollinger D7/649
 D699,345 S 2/2014 Seeds et al.
 D701,093 S * 3/2014 Follmer D7/649
 D704,010 S 5/2014 Shahani
 D732,901 S 6/2015 Shahani
 9,126,324 B2 * 9/2015 Hunkele B26B 3/03

OTHER PUBLICATIONS

Prodyne Multi-Use Knife, available at www.sears.com, accessed on Jan. 20, 2015.

Pro-Touch 6 Inch Knife, available at www.messermeister.com, accessed on Jan. 20, 2015.
 Dexter-Russell 40013 Duo-Glide Knife, available at www.webstaurantstore.com, accessed on Jan. 20, 2015.
 Classic Non-Stick Knife, available at www.cuisinartwebstore.com, accessed on Jan. 20, 2015.
 Mercer Millennia Santoku Knife, available at www.webstaurantstore.com, accessed on Jan. 20, 2015.
 Miyabi Evolution Chef's Knives, available at www.surlatable.com, accessed on Jan. 20, 2015.
 Bob Kramer Essential Collection Chef's Knives, available at www.surlatable.com, accessed on Jan. 20, 2015.
 Spyderco: Byrd Cara Folding Knife, available at www.knifecenter.com, accessed on Jan. 20, 2015.
 Yoshihiro Cutlery Hammered Damascus Petty Chef Knife, available at www.amazon.com, accessed on Jan. 20, 2015.
 Ken Onion Rain Collection 8 Inch Chef's Knife, available at www.amazon.com, accessed on Jan. 20, 2015.
 Bob Kramer 8 Inch Damascus Chef's Knife, available at www.amazon.com, accessed on Jan. 20, 2015.
 Wusthof Classic 8 Inch Bread Knife Serrated, available at www.metrokitchen.com, accessed on Jan. 20, 2015.
 Zwilling J.A. Henckels Twin Signature 5 Inch Utility Knife, available at www.bedbathandbeyond.com, accessed on Jan. 20, 2015.
 Zwilling J.A. Henckels International Fine Edge Pro 5 Inch Utility Knife, available at www.wayfair.com, accessed on Jan. 20, 2015.
 Shun Reserve 6" Serrated Utility Knife, available at www.williams-sonoma.com, accessed on Jan. 20, 2015.

* cited by examiner

FIG. 1

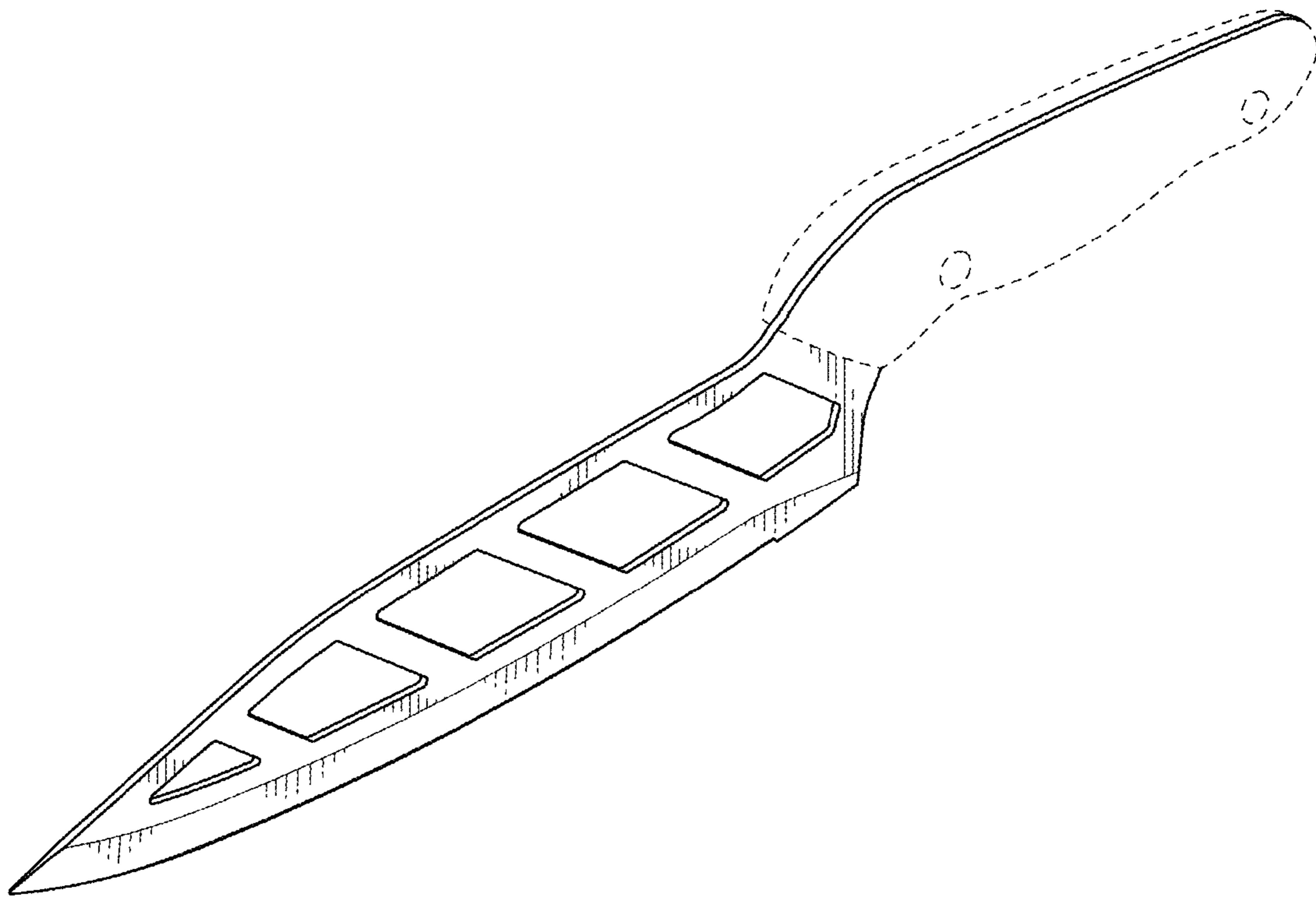


FIG. 2

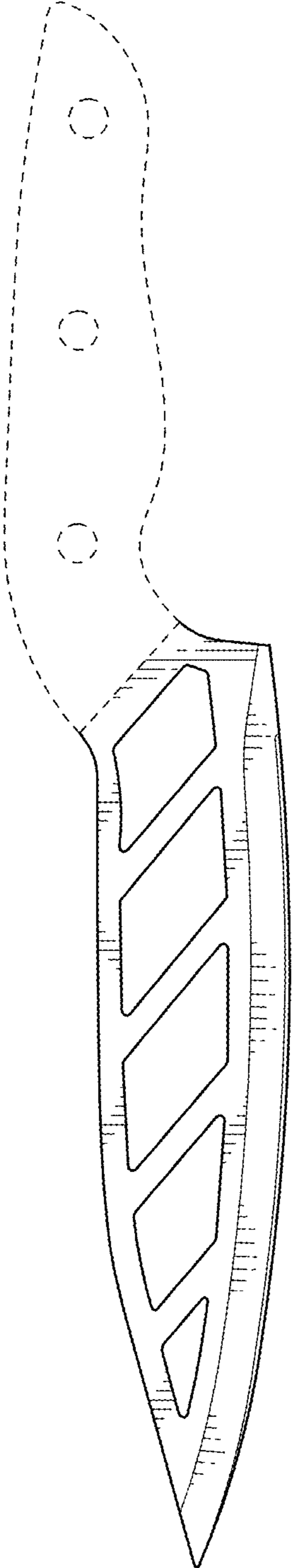


FIG. 3

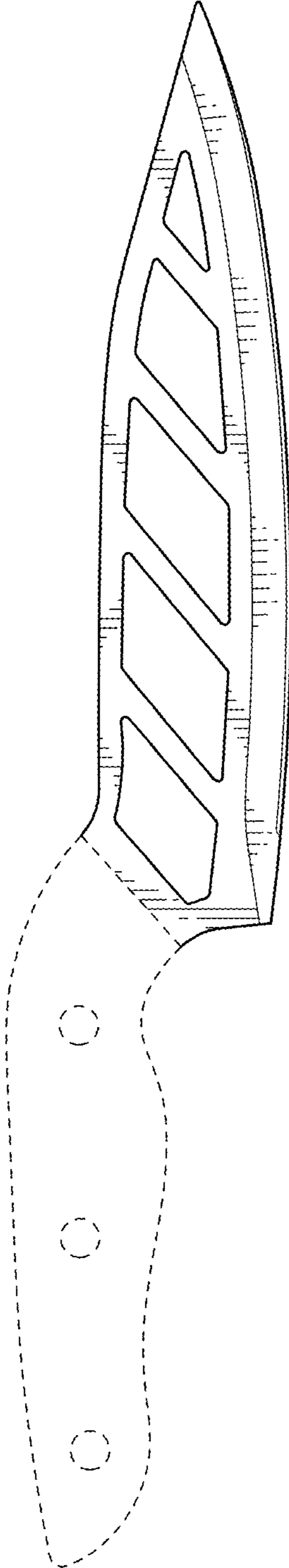


FIG. 4

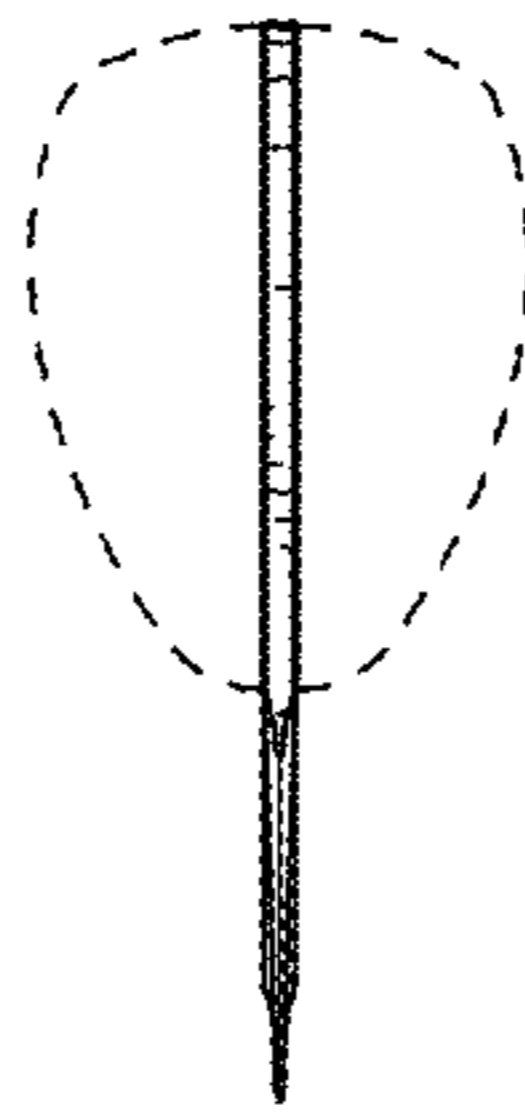


FIG. 5

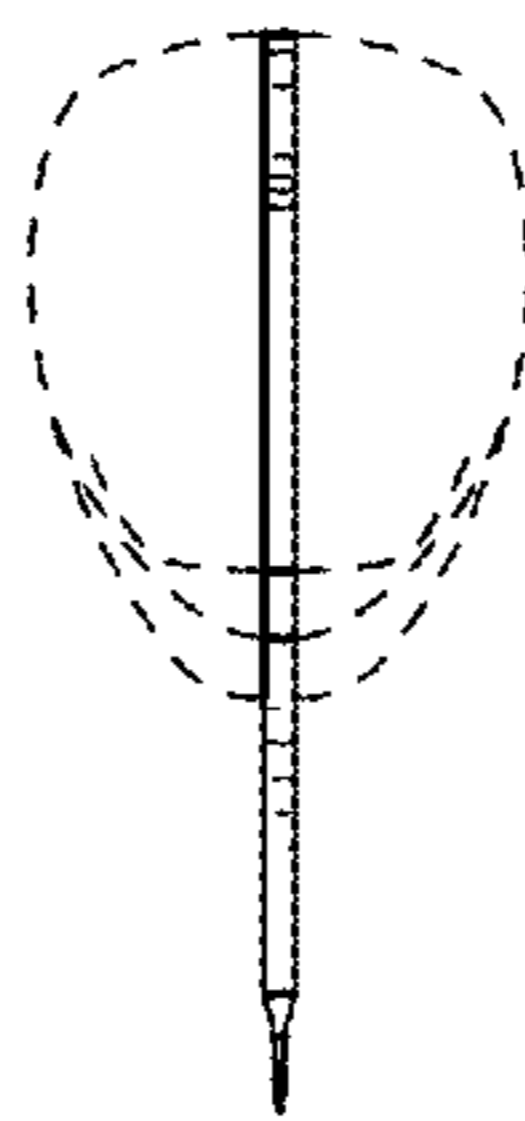


FIG. 6

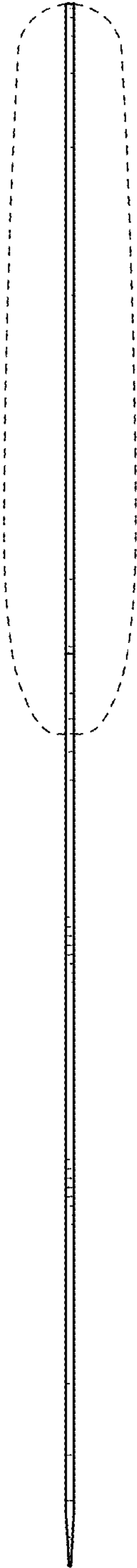


FIG. 7

