



US00D770832S

(12) **United States Design Patent** (10) **Patent No.:** **US D770,832 S**
Affatato et al. (45) **Date of Patent:** **** Nov. 8, 2016**

(54) **COFFEE MAKER**

D651,444 S * 1/2012 Lee D7/306
D719,776 S * 12/2014 Kunz D7/309
D742,170 S * 11/2015 Kunz D7/309
D742,686 S * 11/2015 Kunz D7/309
D742,687 S * 11/2015 Kunz D7/309

(71) Applicant: **CNA International Inc.**, Wood Dale, IL (US)

(72) Inventors: **Kristin Marie Affatato**, Elmhurst, IL (US); **Steve Cho**, Chicago, IL (US); **Hyunchul Kim**, Chicago, IL (US); **Christopher Mark Stefko**, Chicago, IL (US)

* cited by examiner

Primary Examiner — Marianne Pandozzi
(74) *Attorney, Agent, or Firm* — McDermott Will & Emery LLP

(73) Assignee: **CNA International Inc.**, Wood Dale, IL (US)

(**) Term: **14 Years**

(57) **CLAIM**
We claim the ornamental design for a coffee maker, as shown and described.

(21) Appl. No.: **29/519,524**

DESCRIPTION

(22) Filed: **Mar. 5, 2015**

(51) **LOC (10) Cl.** **07-01**

(52) **U.S. Cl.**
USPC **D7/309; D7/311**

(58) **Field of Classification Search**
USPC D7/306–311, 313, 312, 305; 99/279, 99/290, 282; D23/207
CPC A47J 31/4403; A47J 31/44; A47J 31/56; A47J 31/4482; F16M 1/00; B67D 3/0022; B67D 3/0009
See application file for complete search history.

FIG. 1 is a front top perspective view of a coffee maker according to the new design.
FIG. 2 is a side bottom perspective view of the coffee maker shown in FIG. 1.
FIG. 3 is a right side view of the coffee maker shown in FIG. 1.
FIG. 4 is a left side view of the coffee maker shown in FIG. 1.
FIG. 5 is a front view of the coffee maker shown in FIG. 1.
FIG. 6 is a back view of the coffee maker shown in FIG. 1.
FIG. 7 is a top view of the coffee maker shown in FIG. 1; and,
FIG. 8 is a bottom view of the coffee maker shown in FIG. 1.
The broken lines in the drawing depict portions of the coffee maker that form no part of the claimed design.

(56) **References Cited**

U.S. PATENT DOCUMENTS

4,503,757 A * 3/1985 Daugherty A47J 31/4403 392/447
D622,536 S * 8/2010 Ågren D7/309

1 Claim, 8 Drawing Sheets

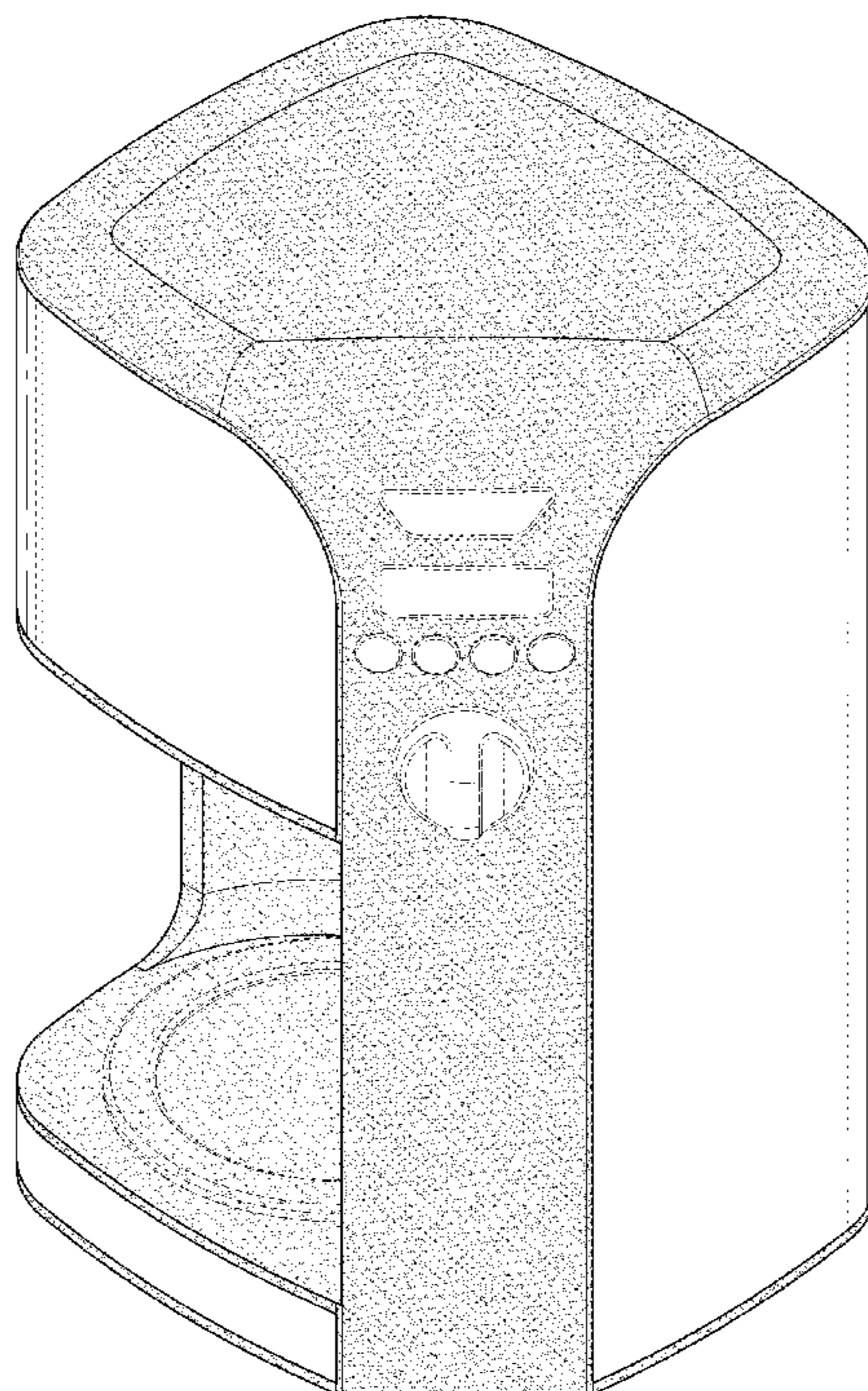


FIG. 1

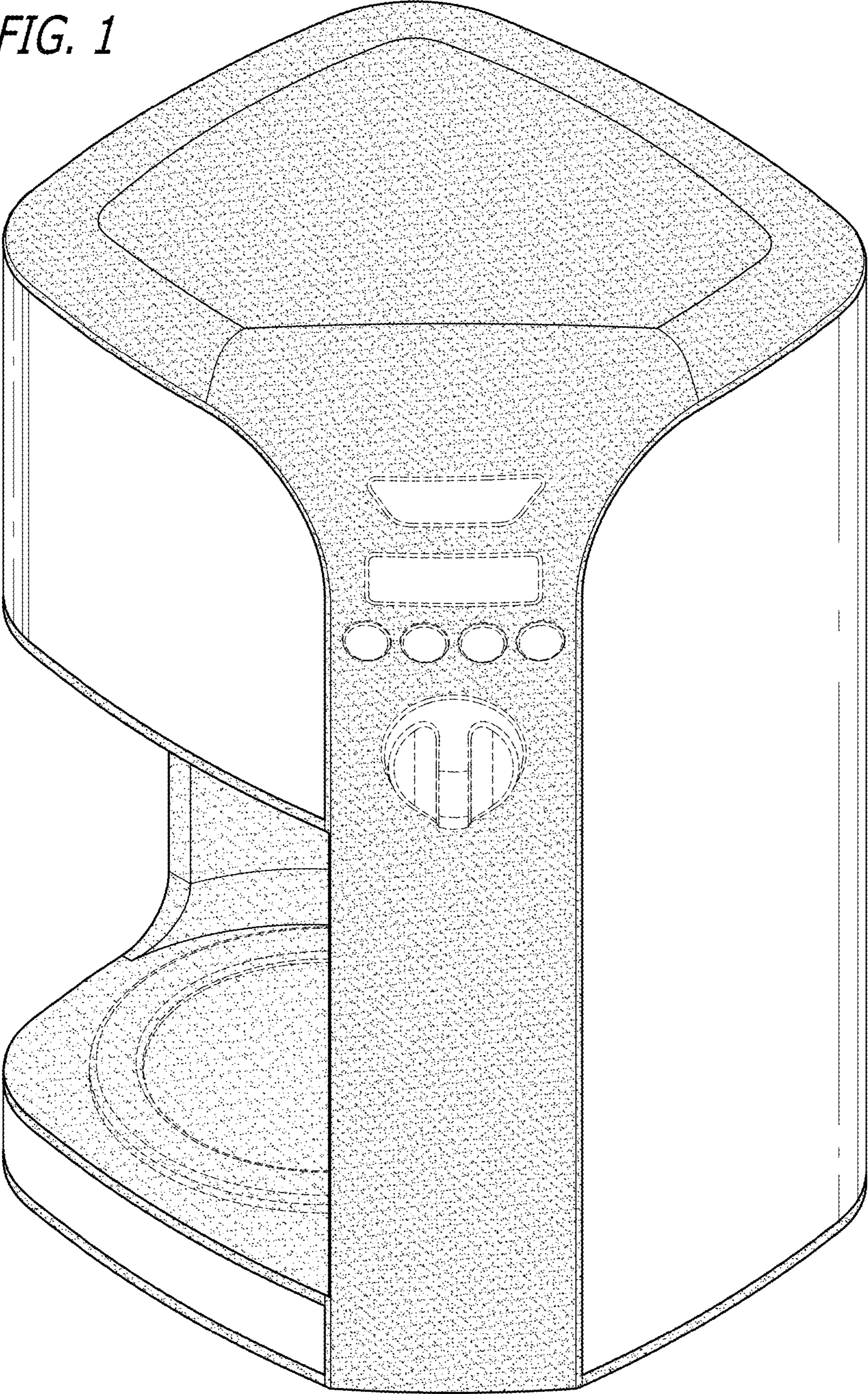
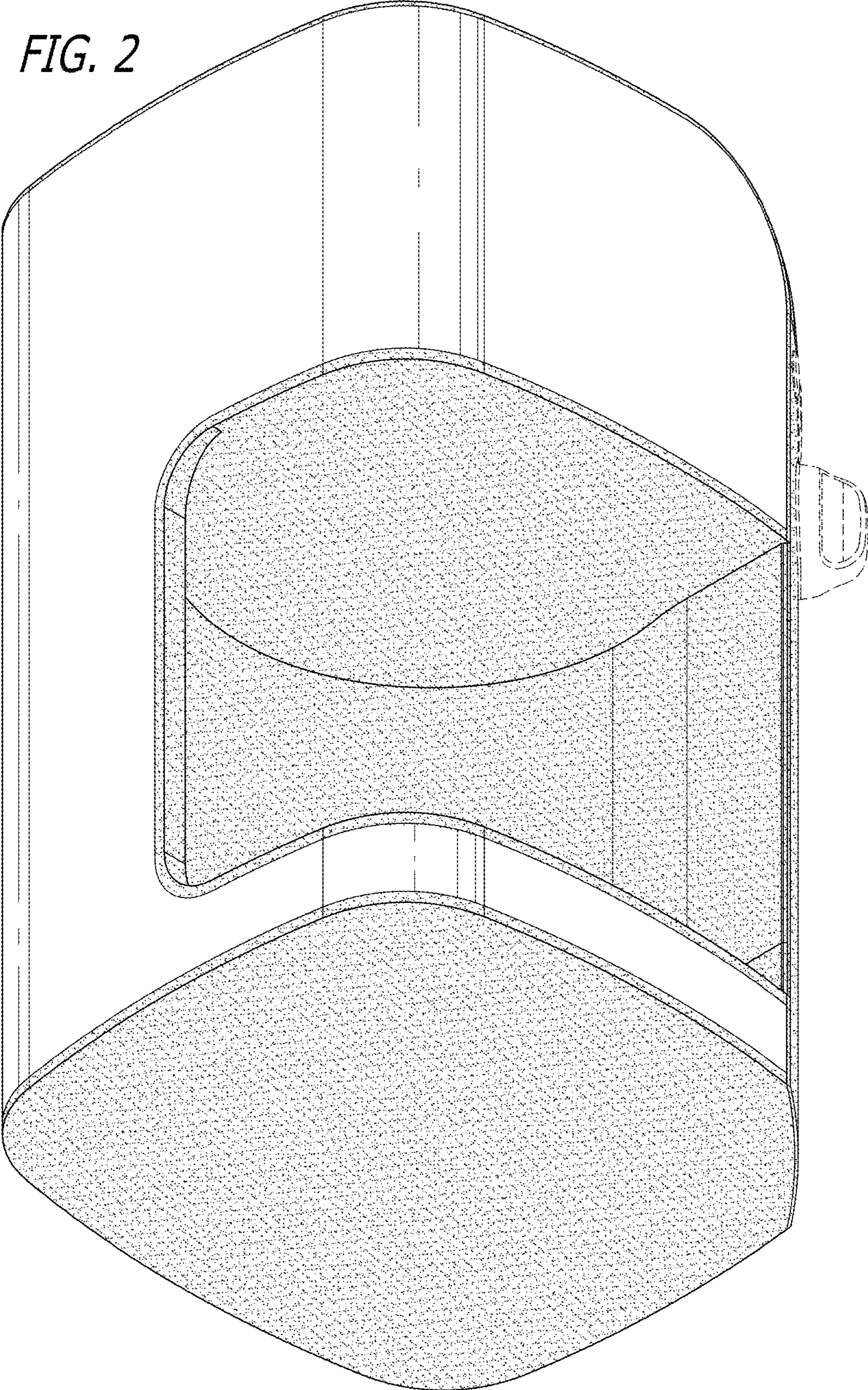


FIG. 2



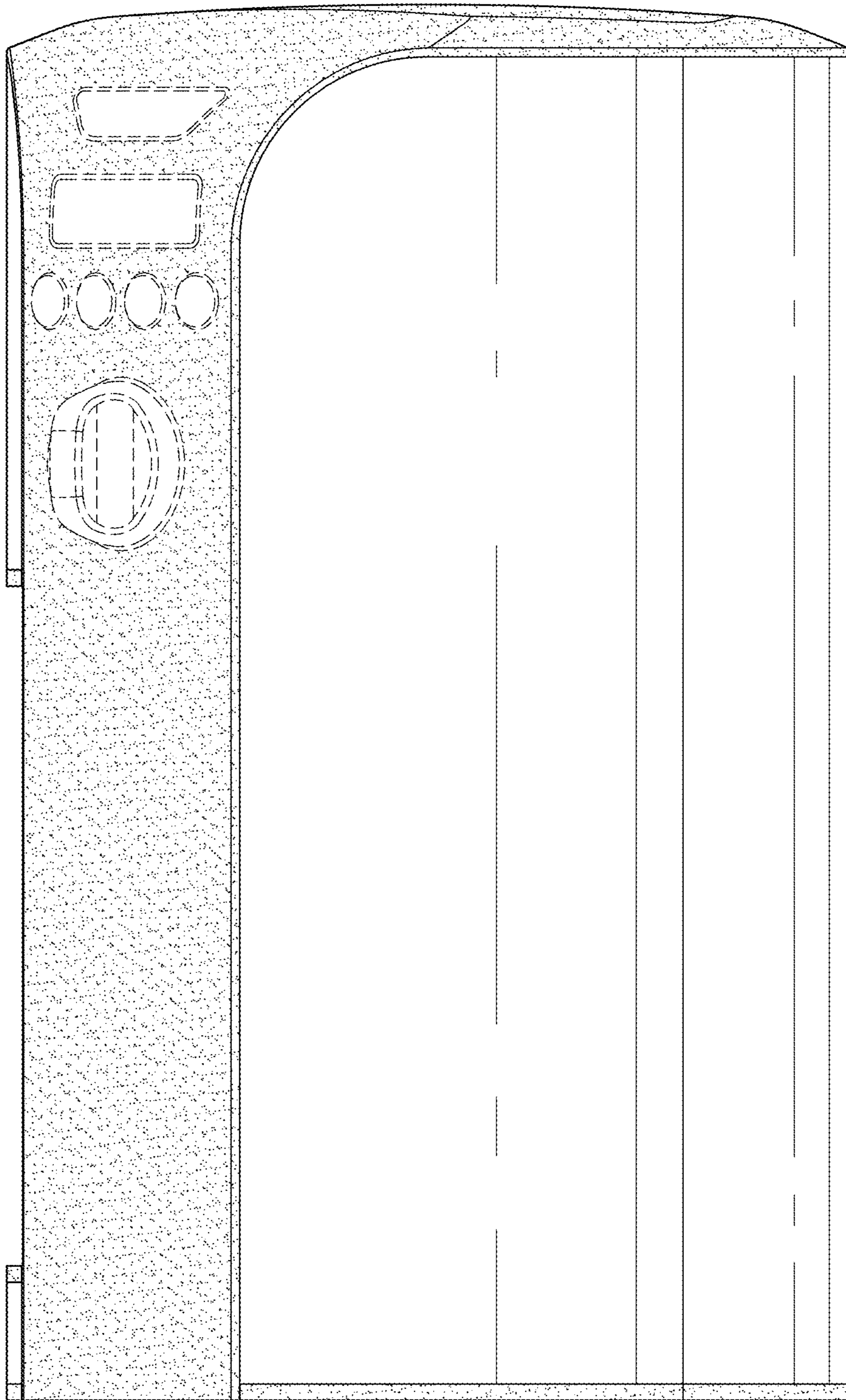


FIG. 3

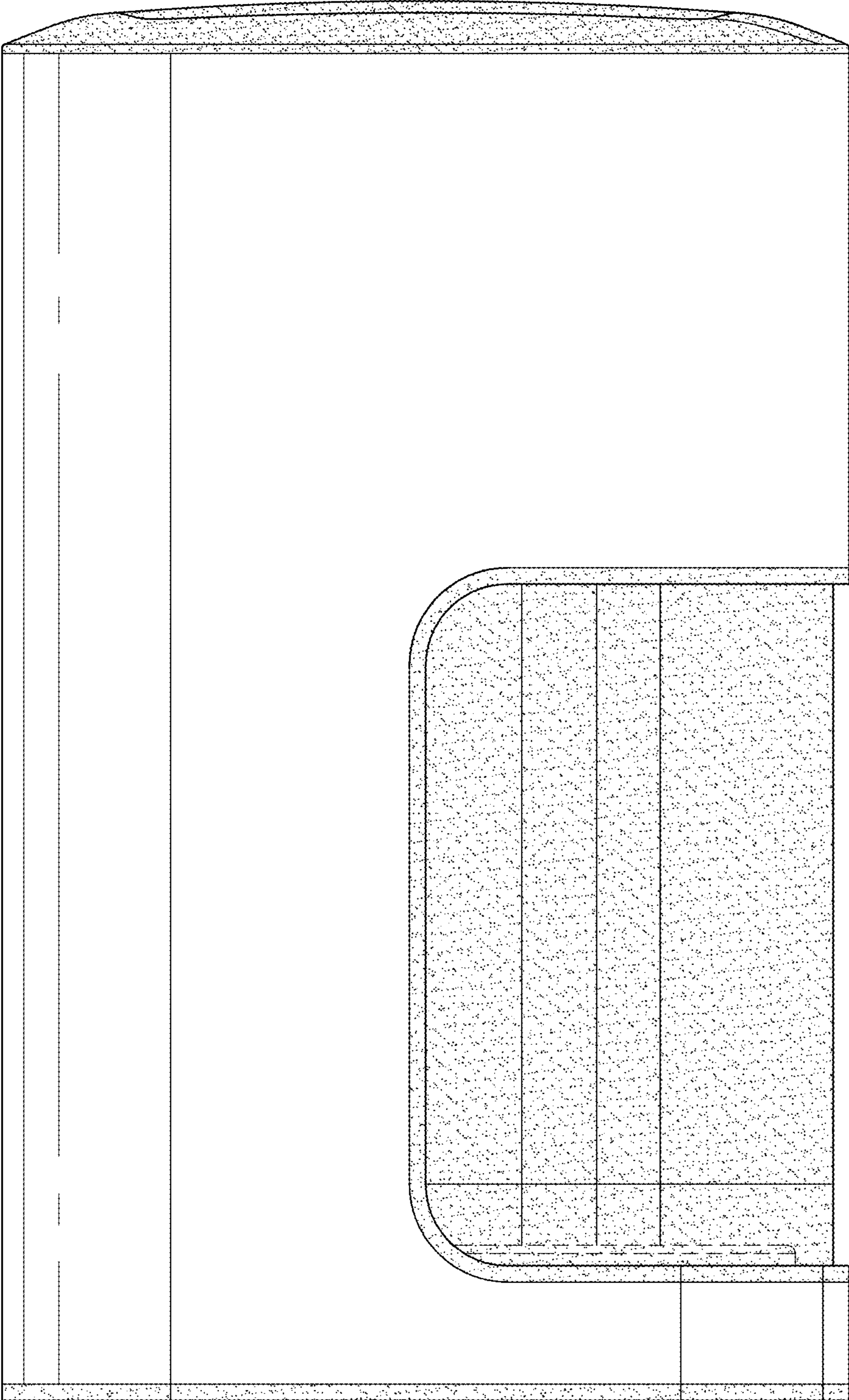


FIG. 4

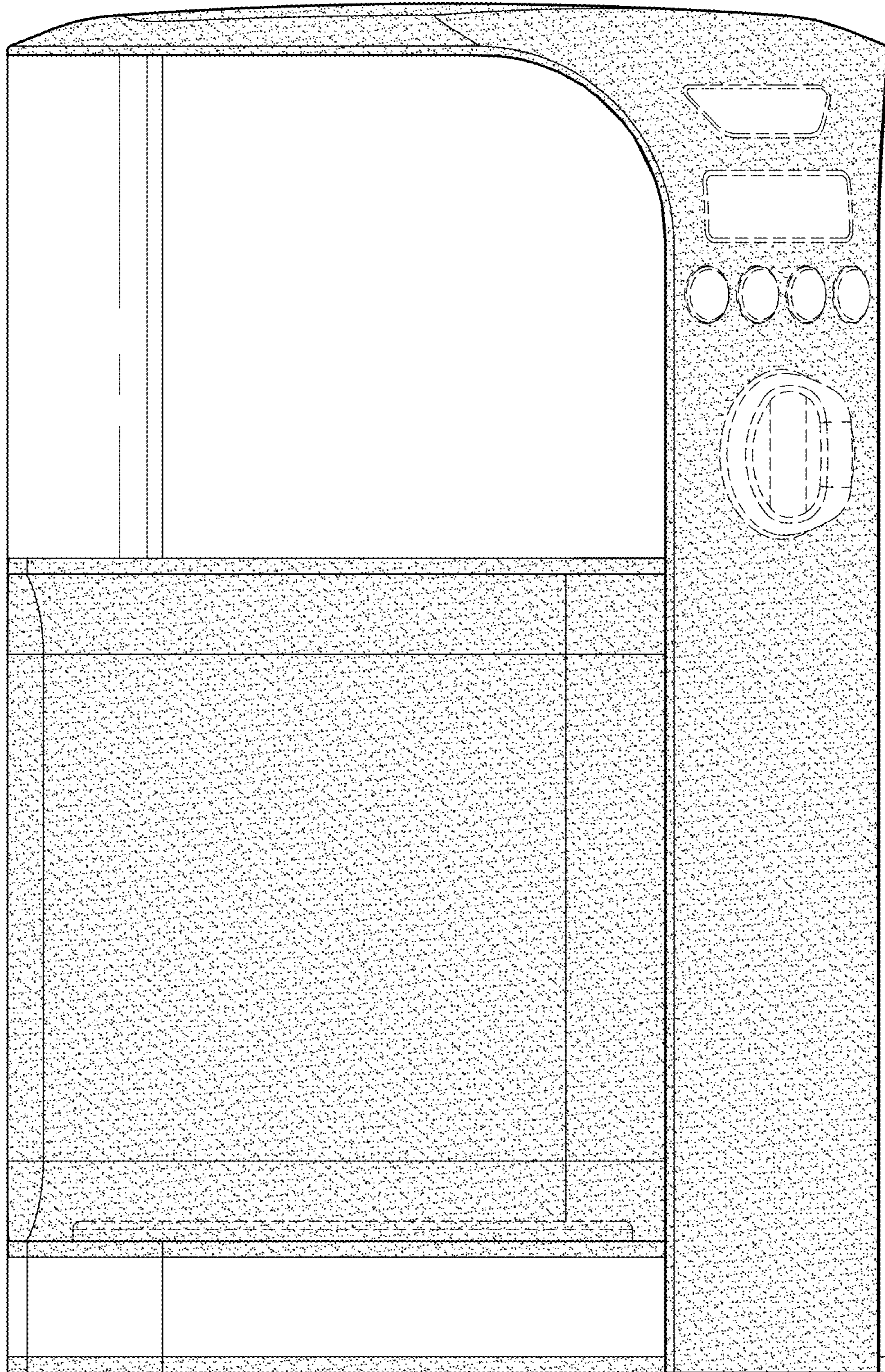


FIG. 5

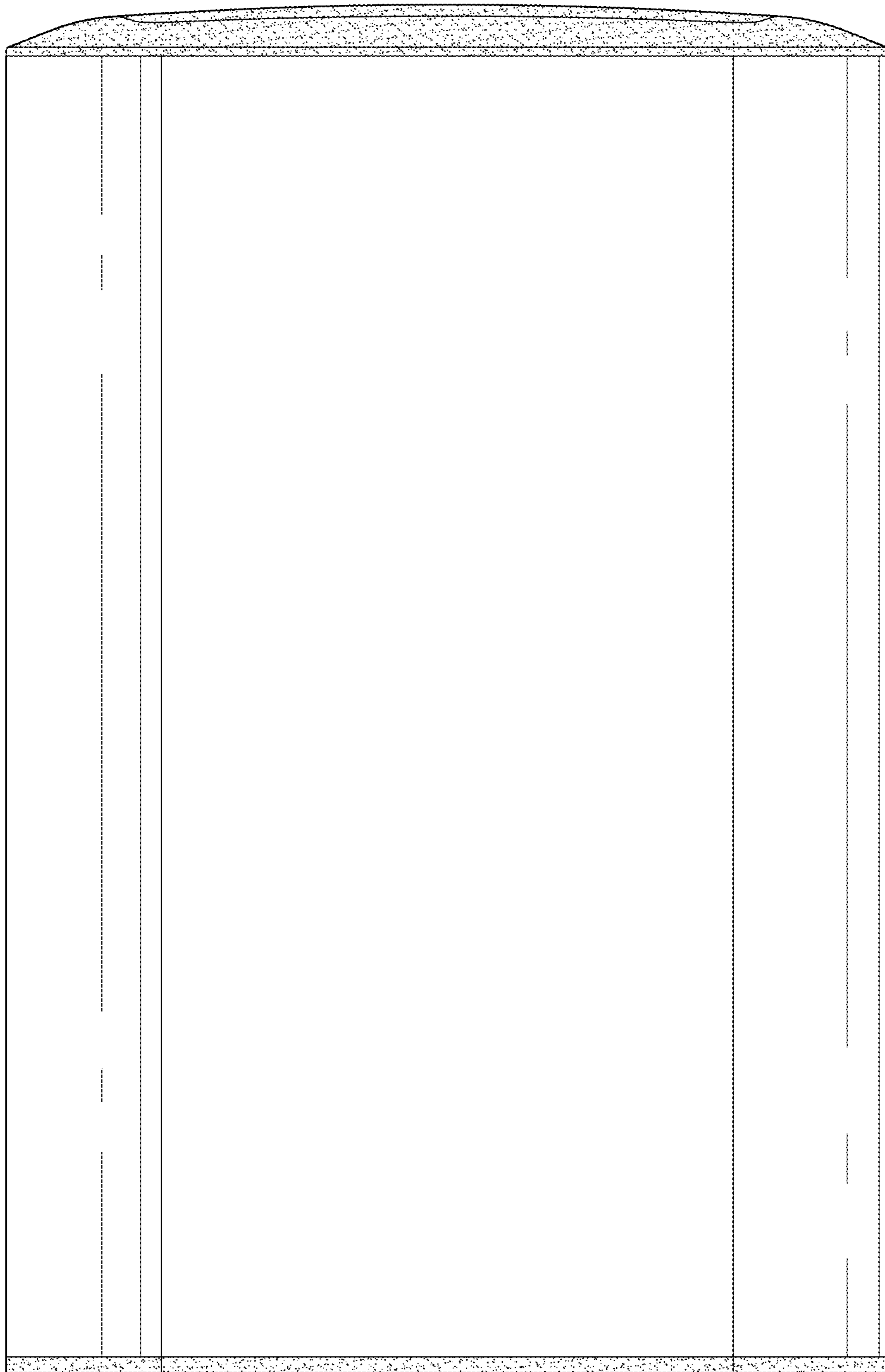


FIG. 6

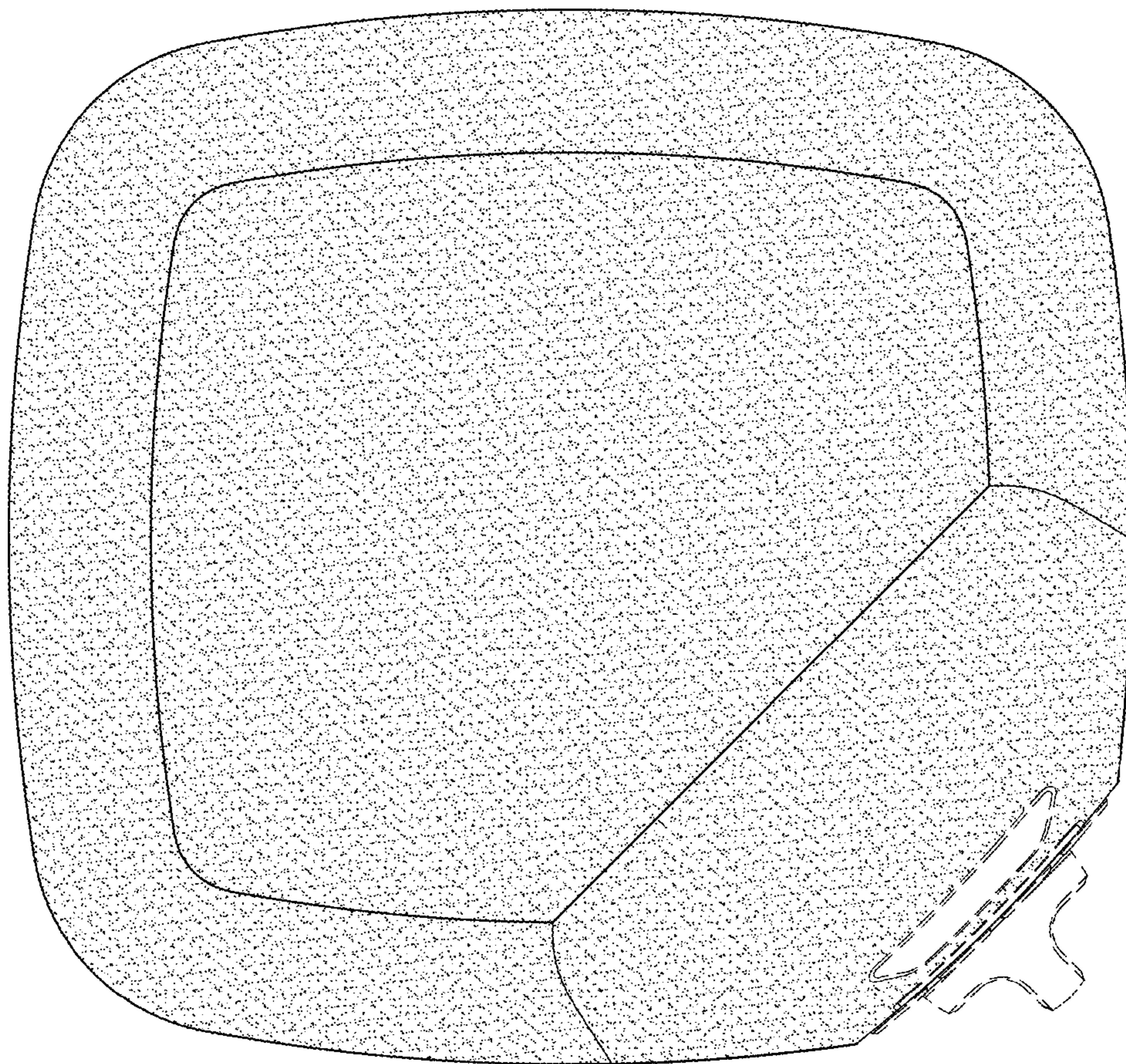


FIG. 7

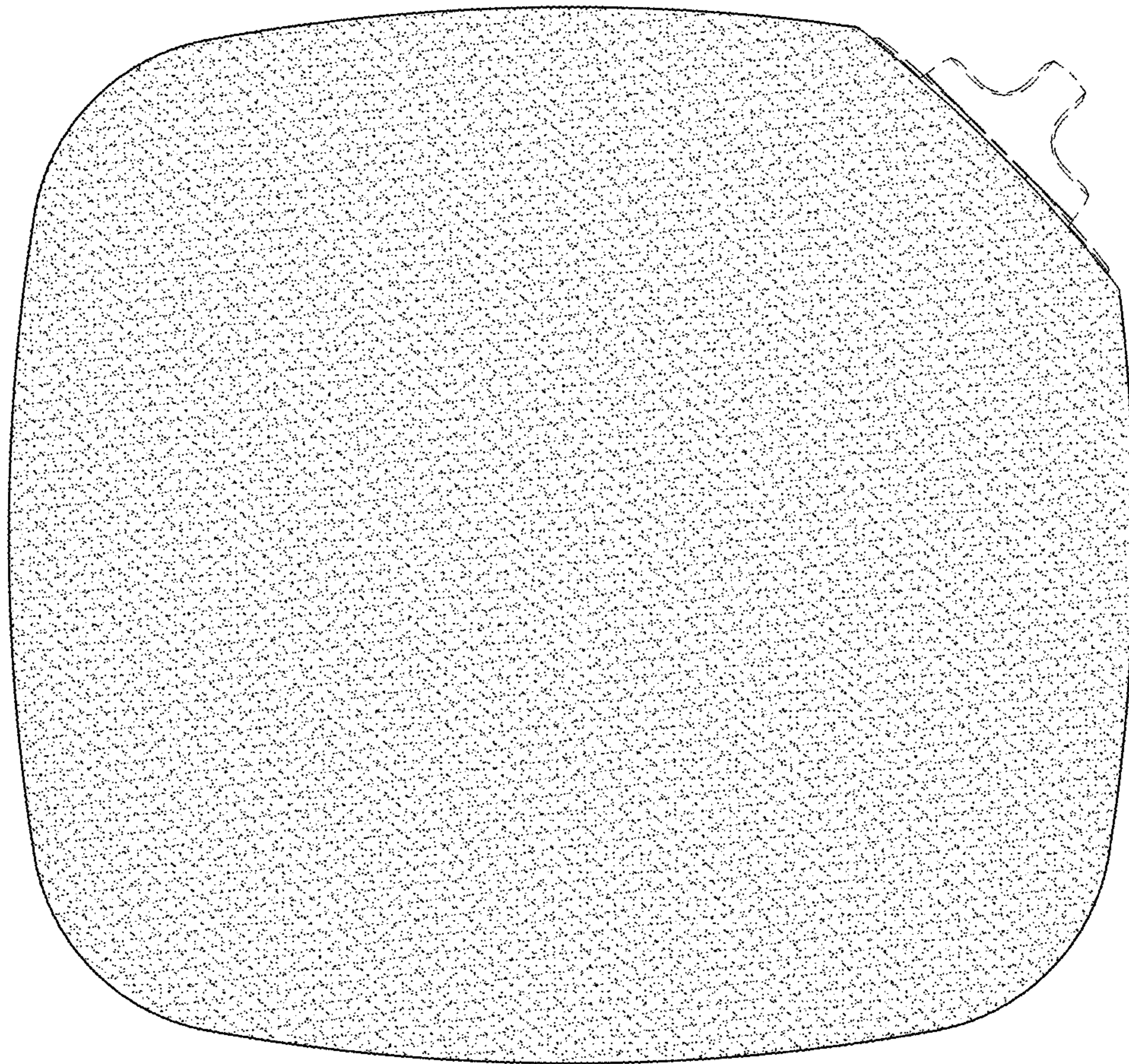


FIG. 8