



US00D770830S

(12) **United States Design Patent** (10) **Patent No.:** **US D770,830 S**
Eliav et al. (45) **Date of Patent:** **** Nov. 8, 2016**

- (54) **PRINTING APPARATUS**
- (71) Applicant: **STEAM CC LTD.**, Kibbutz Einat (IL)
- (72) Inventors: **Eyal Eliav**, Tel Aviv (IL); **Danny Lavie**, Ramat Hasharon (IL); **Yosef Meshulam**, Kochav Yair (IL); **Eli Ireni**, Raanana (IL)
- (73) Assignee: **STEAM CC LTD.**, Petah Tikva (IL)
- (**) Term: **14 Years**
- (21) Appl. No.: **29/512,634**
- (22) Filed: **Dec. 22, 2014**
- (51) **LOC (10) Cl.** **07-01**
- (52) **U.S. Cl.**
USPC **D7/305; D7/311; D7/306; D7/309; D18/50**
- (58) **Field of Classification Search**
USPC **D7/306-311, 305, 300, 313, 399, 398, D7/397; 99/279, 284, 290, 280, 299, 307, 99/305, 295, 308, 309, 383, 304, 323.1, 99/395, 300, 306; 222/23, 129.1; 62/395; D20/1; D23/207, 209; D15/89; D13/162, 164; D18/50, 53, 36; D14/420; 426/383, 519**
CPC **A47J 31/44; A47J 31/00; A47J 31/407; B67D 1/0041; B67D 3/00; B41J 2/175; A43G 9/322**
See application file for complete search history.

(56) **References Cited**
U.S. PATENT DOCUMENTS

| | | | | |
|--------------|---------|------------|-------|---------|
| D187,606 S * | 4/1960 | Cramer | | D15/125 |
| D212,975 S * | 12/1968 | Scott | | D18/36 |
| D221,202 S * | 7/1971 | Lorang | | D7/311 |
| D230,196 S * | 1/1974 | Fitzgerald | | D18/36 |
| D287,690 S * | 1/1987 | Steinkamp | | D7/309 |

| | | | | |
|-------------------|---------|-------------|-------|------------------------|
| D300,597 S * | 4/1989 | Pandolfi | | D7/309 |
| D317,546 S * | 6/1991 | Rakocy | | D7/309 |
| 6,058,843 A * | 5/2000 | Young | | B41J 2/01 101/483 |
| D498,111 S * | 11/2004 | Lassota | | D7/306 |
| D498,112 S * | 11/2004 | Lassota | | D7/311 |
| D584,099 S * | 1/2009 | Terzariol | | D7/309 |
| 7,884,953 B1 * | 2/2011 | Willcocks | | A23G 3/0097 358/1.1 |
| D643,682 S * | 8/2011 | Asthon | | D7/397 |
| D655,122 S * | 3/2012 | Bingul | | D7/306 |
| D682,597 S * | 5/2013 | Bingul | | D7/306 |
| D692,713 S * | 11/2013 | Diehl | | D7/306 |
| D700,607 S * | 3/2014 | Cederstrom | | D14/420 |
| D701,898 S * | 4/2014 | Nakata | | D18/19 |
| D702,237 S * | 4/2014 | Oberpriller | | D14/420 |
| D707,485 S * | 6/2014 | Thul | | D7/300 |
| 8,753,702 B2 * | 6/2014 | Baker | | B41J 3/407 426/302 |
| D732,329 S * | 6/2015 | Palermo | | D7/306 |
| D735,527 S * | 8/2015 | Palermo | | D7/309 |
| 2006/0286218 A1 * | 12/2006 | Salzman | | A23G 9/322 426/106 |

* cited by examiner

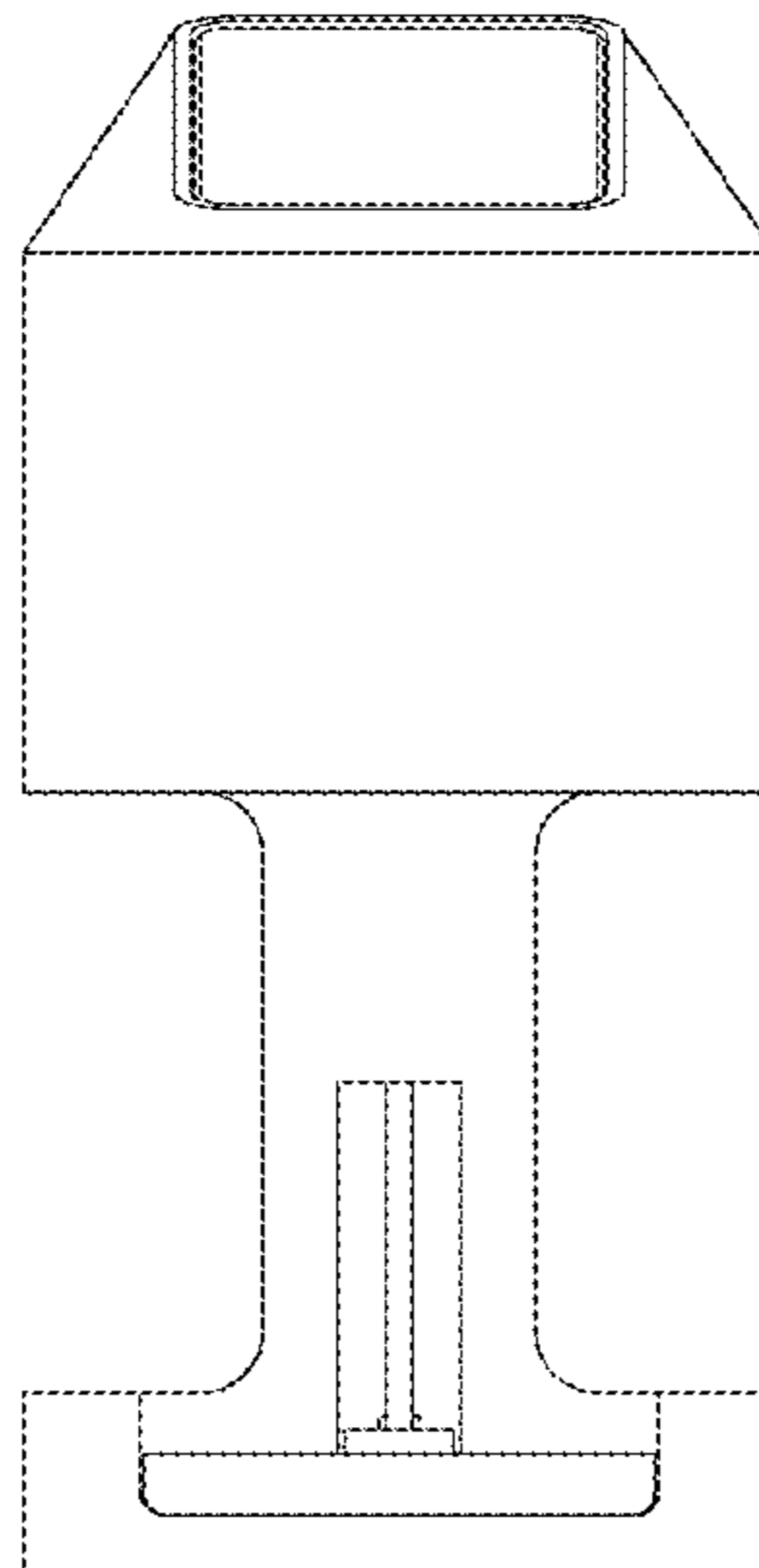
Primary Examiner — Marianne Pandozzi
(74) *Attorney, Agent, or Firm* — Marc Van Dyke; Fourth Dimension IP

(57) **CLAIM**
The ornamental design for a printing apparatus, as shown and described.

DESCRIPTION

FIG. 1 is a front view of a first embodiment of a printing apparatus showing the new design;
FIG. 2 is a back view thereof;
FIG. 3 is a right view thereof;
FIG. 4 is a left view thereof;
FIG. 5 is a top view thereof;
FIG. 6 is a bottom view thereof; and,
FIG. 7 is a perspective view thereof.

1 Claim, 7 Drawing Sheets



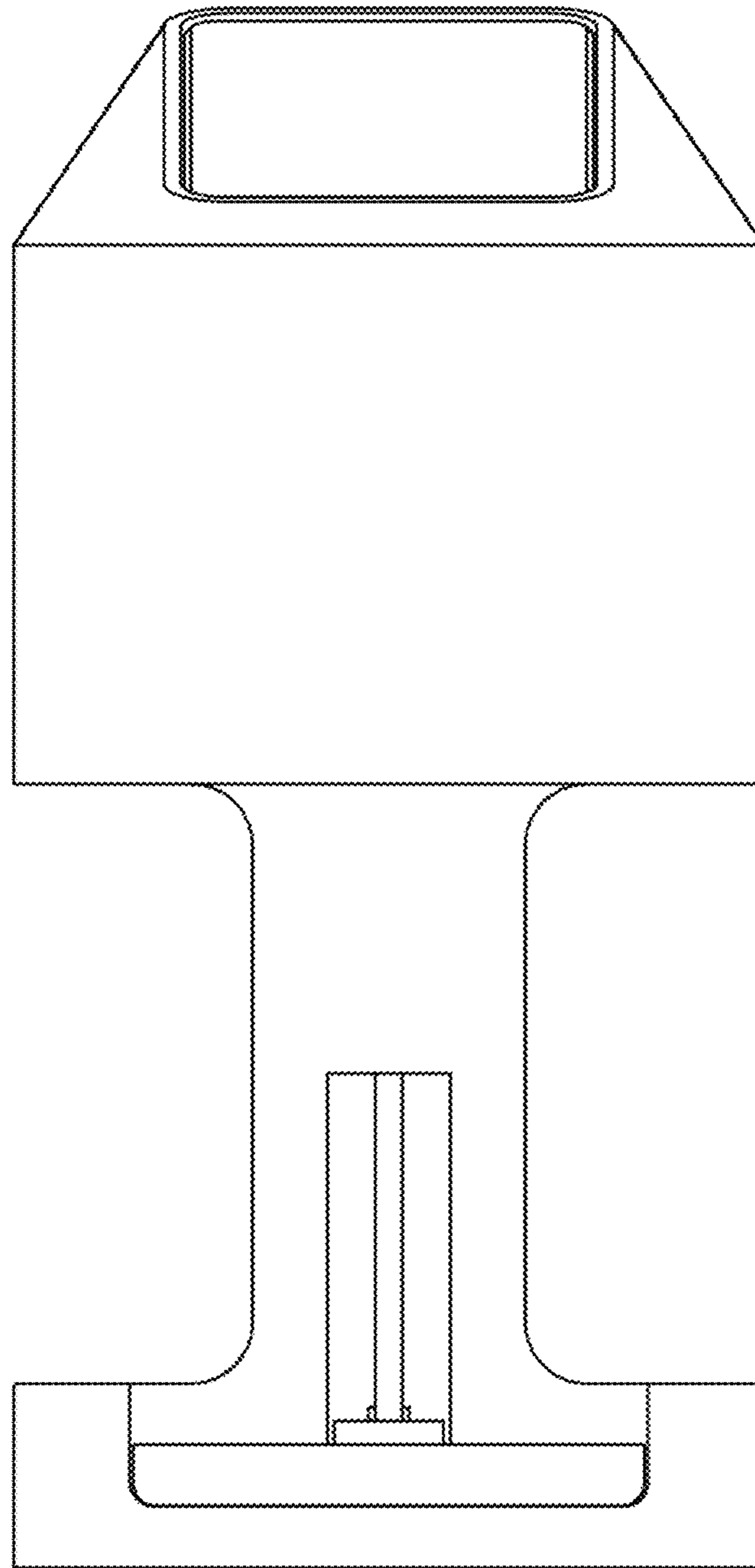


Fig. 1

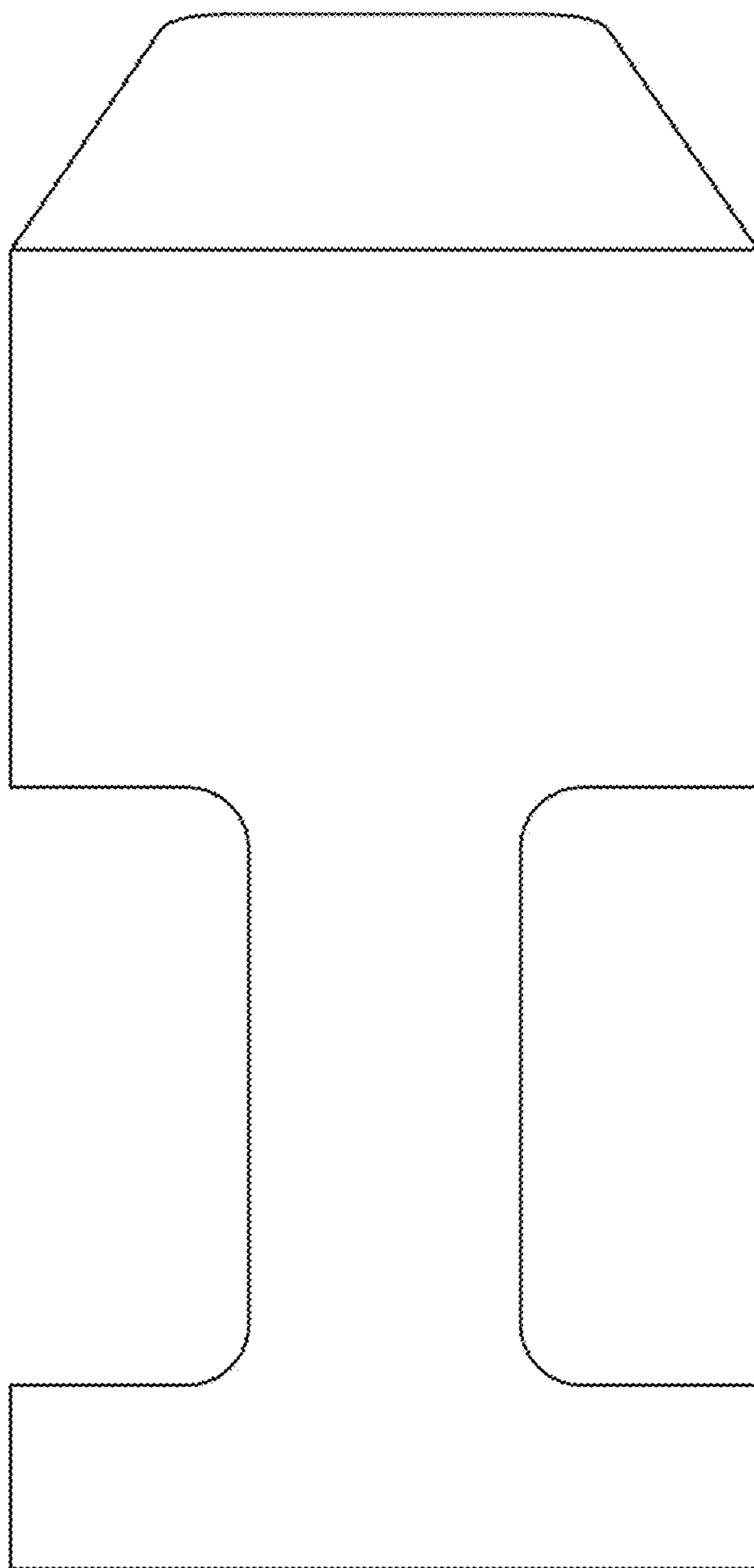


Fig. 2

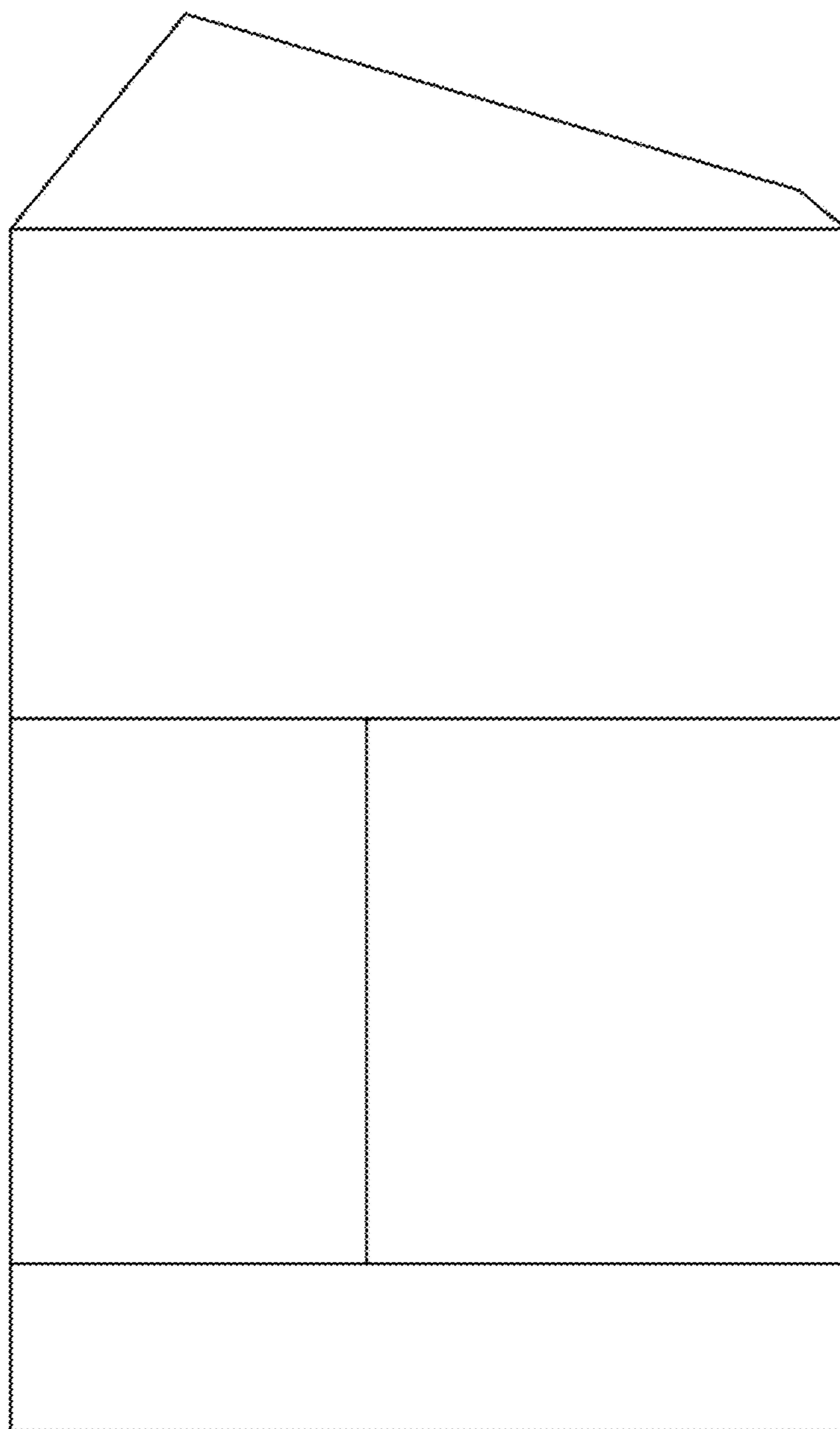


Fig. 3

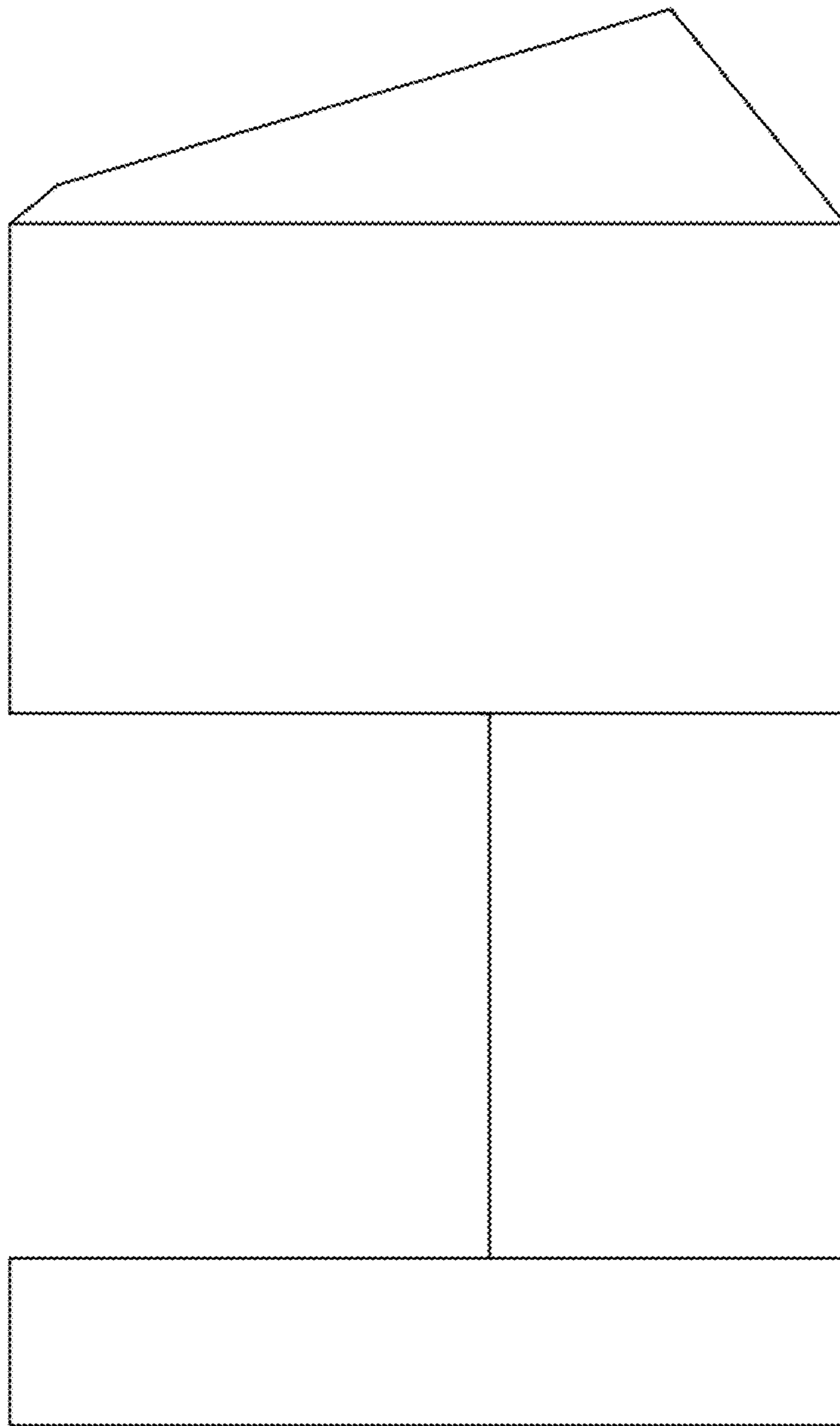


Fig. 4

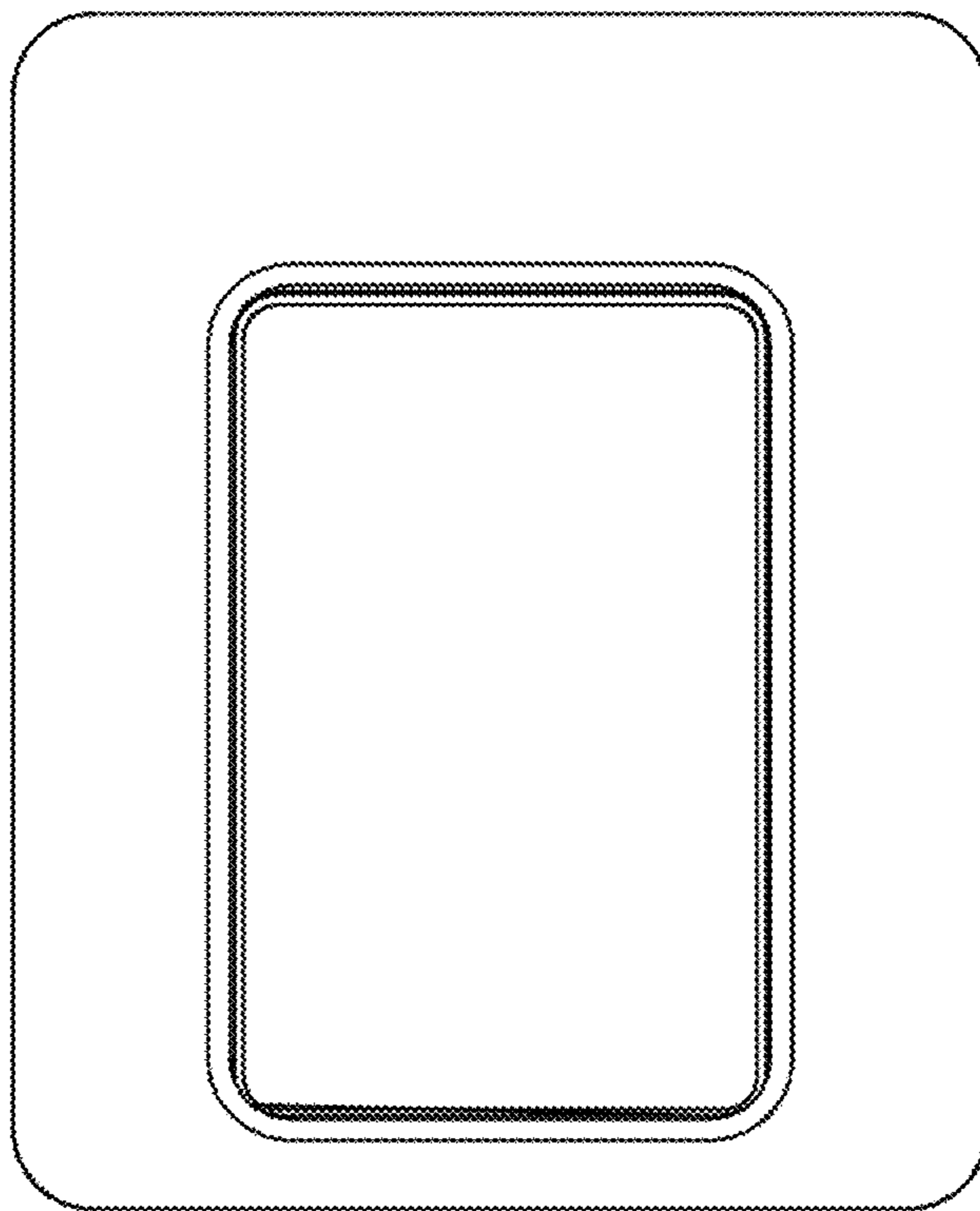


Fig. 5

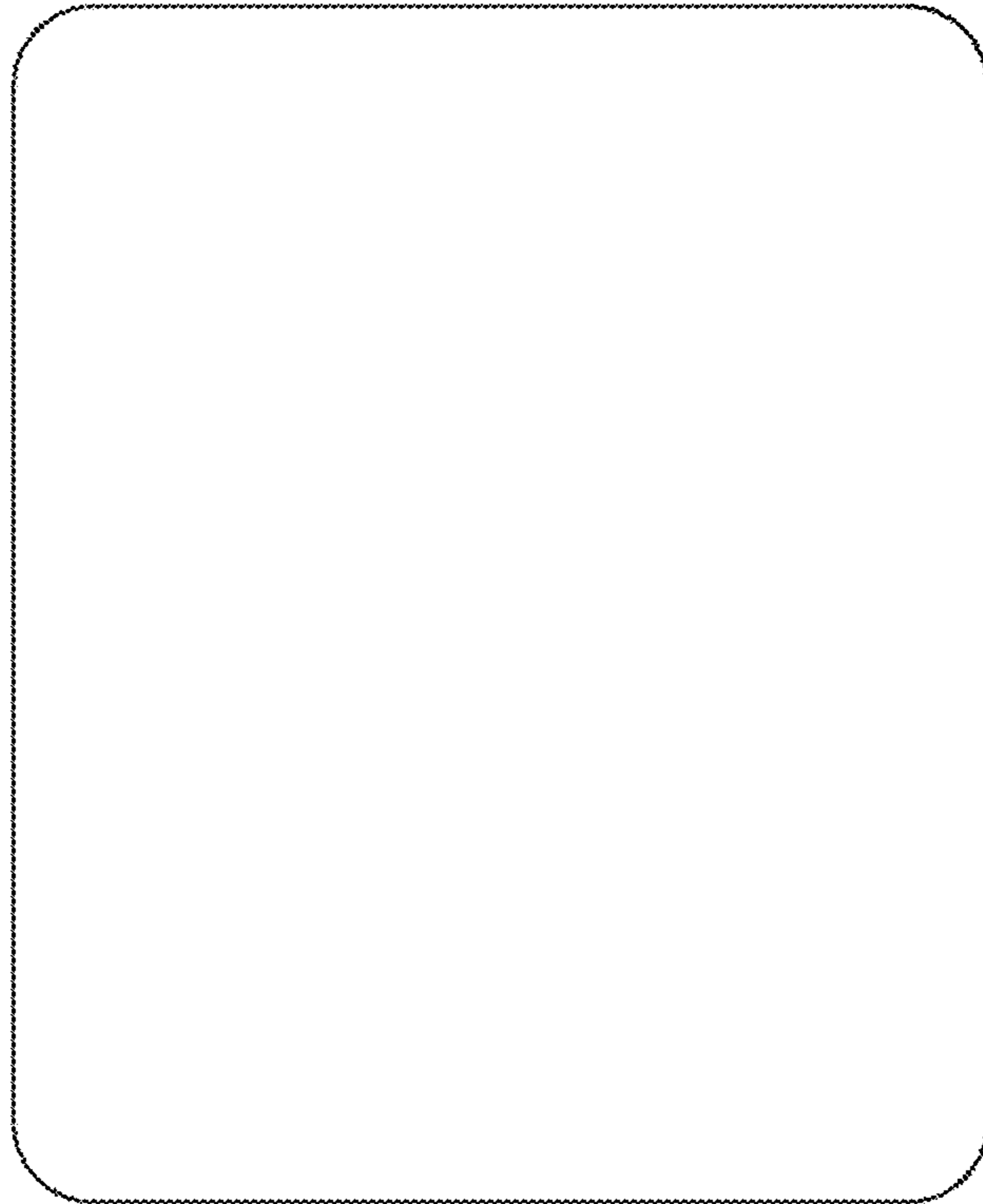


Fig. 6

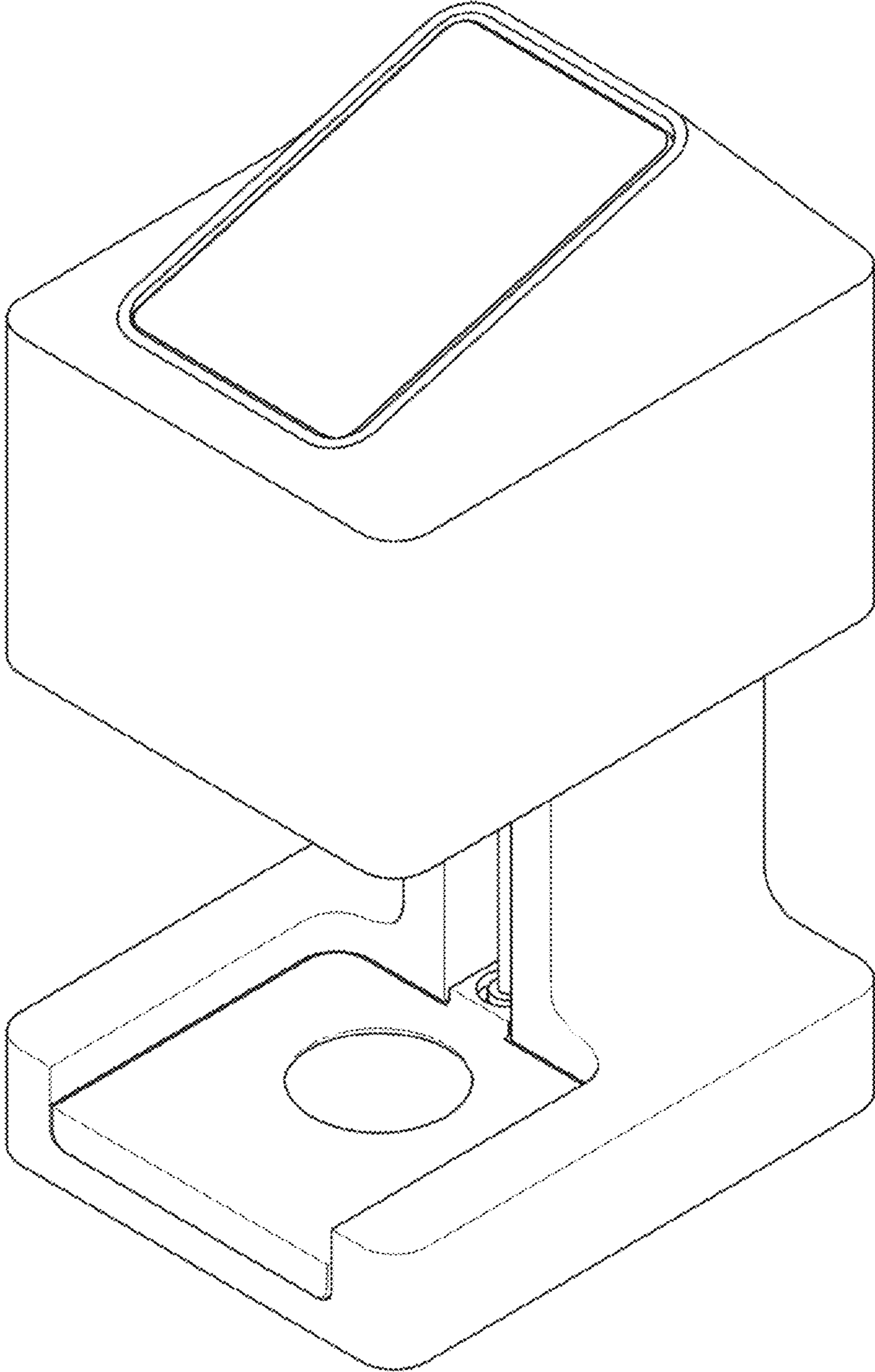


Fig. 7