



US00D770827S

(12) **United States Design Patent** (10) **Patent No.:** **US D770,827 S**
Newkirk et al. (45) **Date of Patent:** **** Nov. 8, 2016**

(54) **HEADBOARD FOR PATIENT BED**
(71) Applicant: **Hill-Rom Services, Inc.**, Batesville, IN (US)
(72) Inventors: **David C Newkirk**, Lawrenceburg, IN (US); **James L. Walke**, Batesville, IN (US)
(73) Assignee: **Hill-Rom Services, Inc.**, Batesville, IN (US)

5,398,359 A 3/1995 Foster
5,455,975 A 10/1995 Foster
5,715,548 A * 2/1998 Weismiller A61G 7/002
5/611
6,240,580 B1 6/2001 Hamilton et al.
6,363,552 B1 4/2002 Hornbach et al.
D458,481 S 6/2002 Brooke
D459,119 S 6/2002 Brooke
D463,179 S 9/2002 Brooke
D479,070 S 9/2003 Goodwin et al.

(Continued)

(**) Term: **14 Years**

(21) Appl. No.: **29/516,143**

(22) Filed: **Jan. 29, 2015**

(51) **LOC (10) Cl.** **06-06**

(52) **U.S. Cl.**
USPC **D6/718.3**

(58) **Field of Classification Search**
USPC D6/382-384, 718, 718.3; D24/183-185
CPC A61G 7/00; A61G 7/02; A61G 7/05;
A61G 7/0506; A61G 7/0507; A61G 13/00
See application file for complete search history.

OTHER PUBLICATIONS

No. 21-75 Grouping/Early American finished in No. 28 Maple, Hill-Rom, 1962, 1 page.

(Continued)

Primary Examiner — Cathron Brooks

(74) *Attorney, Agent, or Firm* — Barnes & Thornburg LLP

(57) **CLAIM**

The ornamental design for a headboard for patient bed, as shown and described.

DESCRIPTION

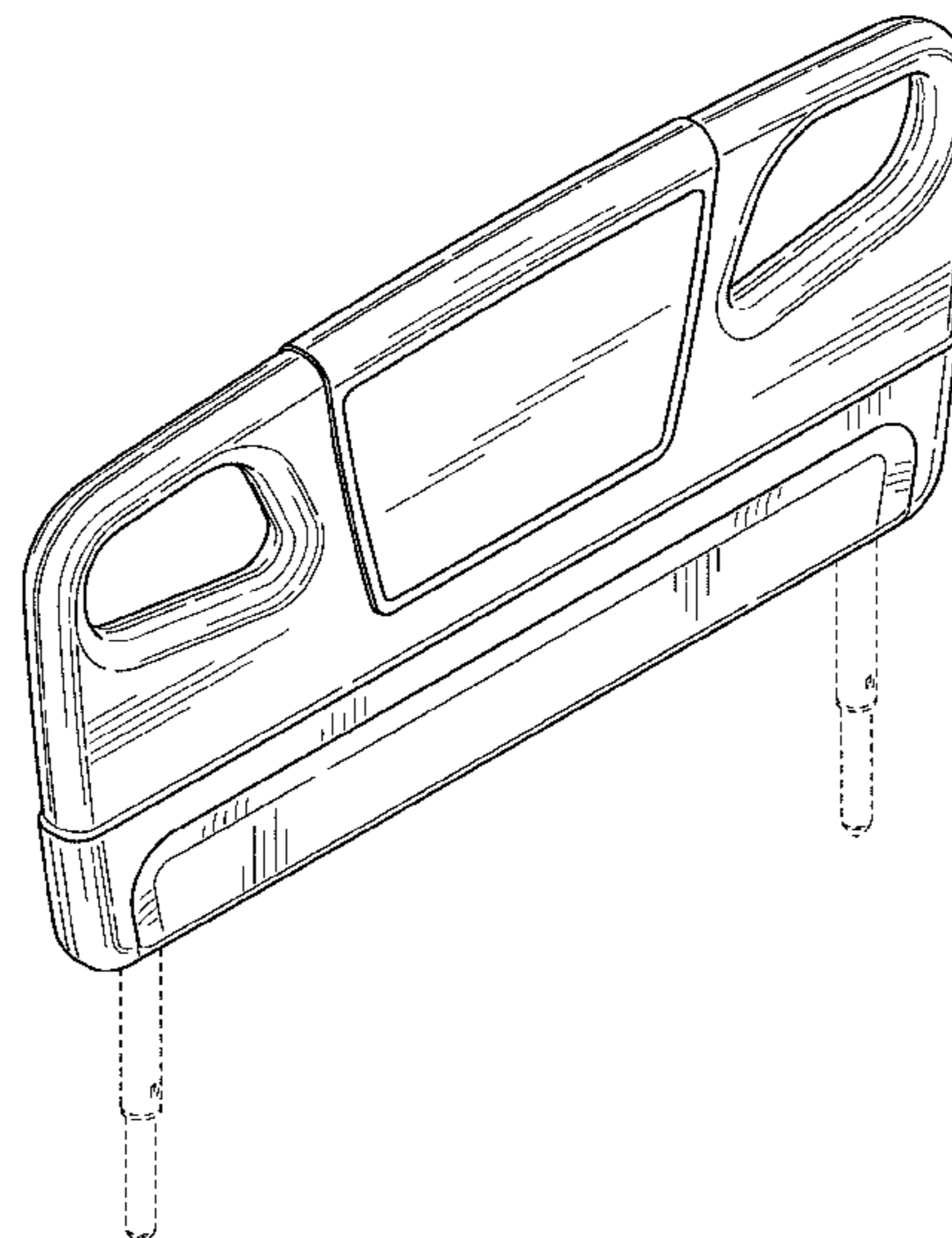
FIG. 1 is a top front perspective view of a headboard for patient bed showing our new design; FIG. 2 is a front elevation view of the headboard of FIG. 1; FIG. 3 is a rear elevation view of the headboard of FIG. 1; FIG. 4 is an end elevation view of a first end of the headboard of FIG. 1; FIG. 5 is an end elevation view of a second end of the headboard of FIG. 1; FIG. 6 is a top plan view of the headboard of FIG. 1; and, FIG. 7 is a bottom plan view of the headboard of FIG. 1. The broken lines shown in the figures depict environmental subject matter and form no part of the claimed design.

(56) **References Cited**

U.S. PATENT DOCUMENTS

1,700,338 A 1/1929 Scoggins
D158,433 S 5/1950 Bevelacqua
D229,381 S 11/1973 Benoit et al.
3,930,273 A 1/1976 Stern
3,971,083 A 7/1976 Peterson
D276,112 S 10/1984 Ferrell et al.
4,724,555 A 2/1988 Poehner et al.
4,811,435 A 3/1989 Foster et al.
D301,411 S 6/1989 Schlapp
5,072,906 A 12/1991 Foster
5,299,338 A 4/1994 Foster
5,377,371 A 1/1995 Foster
5,396,673 A 3/1995 Foster

1 Claim, 3 Drawing Sheets



(56)

References Cited

U.S. PATENT DOCUMENTS

6,622,364 B2 9/2003 Hamilton et al.
 6,640,360 B2 11/2003 Hornbach et al.
 D488,941 S 4/2004 Lemire et al.
 D488,942 S 4/2004 Lemire et al.
 6,721,975 B1 4/2004 Lemire
 6,779,209 B2 8/2004 Ganance
 6,951,036 B2 10/2005 Lemire
 7,073,220 B2 7/2006 Simmonds et al.
 7,076,818 B2 7/2006 Kummer et al.
 7,107,637 B2 9/2006 Kuek et al.
 D553,382 S 10/2007 Hayes et al.
 7,487,558 B2 2/2009 Risk, Jr. et al.
 7,644,457 B2 1/2010 Hensley et al.
 7,712,166 B2 5/2010 Stryker et al.
 D616,678 S 6/2010 Heimbrock et al.
 D616,679 S 6/2010 Heimbrock et al.
 D617,586 S 6/2010 Heimbrock et al.
 D617,587 S 6/2010 Heimbrock et al.
 D617,588 S 6/2010 Heimbrock et al.
 D617,589 S 6/2010 Heimbrock et al.
 7,761,939 B2 7/2010 Wiggins et al.
 7,784,125 B2 8/2010 Morin et al.
 D627,985 S 11/2010 Salus
 7,836,531 B2 11/2010 Girard et al.
 D628,416 S 12/2010 Heimbrock et al.
 7,895,689 B2 3/2011 Hayes et al.
 7,930,778 B2 4/2011 Wu et al.
 D640,887 S 7/2011 Heimbrock et al.
 D641,195 S 7/2011 Delong
 7,971,291 B2 7/2011 Stryker et al.
 7,986,242 B2 7/2011 Dixon et al.
 8,143,846 B2 3/2012 Herman et al.
 D656,764 S * 4/2012 Fejt D6/718.13
 D656,765 S * 4/2012 Fejt D6/718.13
 8,205,280 B2 6/2012 Hensley et al.
 8,266,741 B2 9/2012 Penninger et al.
 8,296,884 B2 10/2012 Heimbrock
 8,341,777 B2 1/2013 Hensley et al.
 8,381,337 B2 2/2013 Zerhusen et al.
 8,387,179 B2 3/2013 Metz et al.

8,400,311 B2 * 3/2013 Dixon A61G 7/05
 340/286.07
 8,413,270 B2 4/2013 Turner et al.
 D706,427 S * 6/2014 Leng D24/183
 D707,480 S 6/2014 Heimbrock
 2005/0028289 A1 * 2/2005 Hakamiun A47C 27/144
 5/709
 2005/0172405 A1 8/2005 Menkedick et al.
 2006/0075560 A1 4/2006 Osborne et al.
 2006/0168729 A1 8/2006 Weismiller et al.
 2007/0130692 A1 6/2007 Lemire et al.
 2007/0163043 A1 7/2007 Lemire et al.
 2008/0005838 A1 1/2008 Wan Fong et al.
 2009/0031498 A1 * 2/2009 Girard A61G 7/015
 5/617
 2009/0188731 A1 7/2009 Zerhusen et al.
 2011/0214234 A1 9/2011 Herman
 2012/0151678 A1 6/2012 Richards
 2013/0019405 A1 1/2013 Flanagan et al.
 2016/0058640 A1 * 3/2016 Morin A61G 7/0507
 5/430

OTHER PUBLICATIONS

No. 16-75 Grouping/Italian Provincial finished in No. 69 Cathedral Oak, Hill-Rom, 1962, 1 page.
 No. 2101-1 Grouping/Early American finished in No. 28 Maple, Hill-Rom, 1962, 1 page.
 The Advance 2000® Bed from Hill-Rom, Hill-Rom 1993, 18 pages.
 A Hill-Rom Solution Affinity II Bed, Hill-Rom 1996, 6 pages.
 Affinity® Three Birthing Bed, Hill-Rom Services, Inc. 2000, 2 pages.
 TotalCare® Connect Bed and TotalCare® Bed, Options and Accessories, Hill-Rom Services, Inc. 2008, 8 pages.
 Hill-Rom® Med-Surg Beds Traction Catalog Part Descriptions and Ordering Information, Hill-Rom Services, Inc. 2007, 12 pages.
 User Manual TotalCare® Bed System from Hill-Rom, Product No. P1900-00, Hill-Rom Services, Inc. 2000, 64 pages.
 A Hill-Rom Solution Totalcare Bed System, Hill-Rom 1998, 8 pages.

* cited by examiner

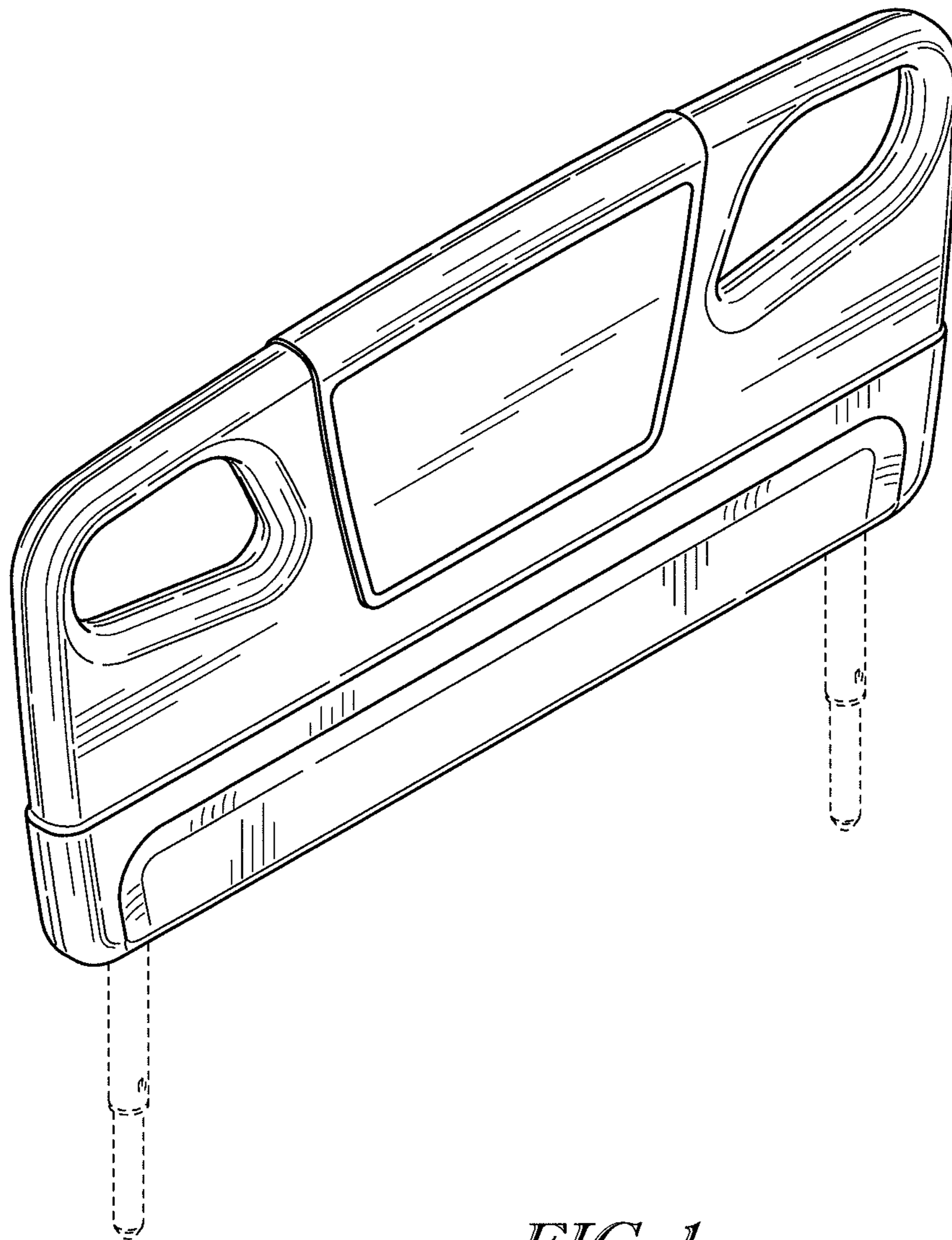


FIG. 1

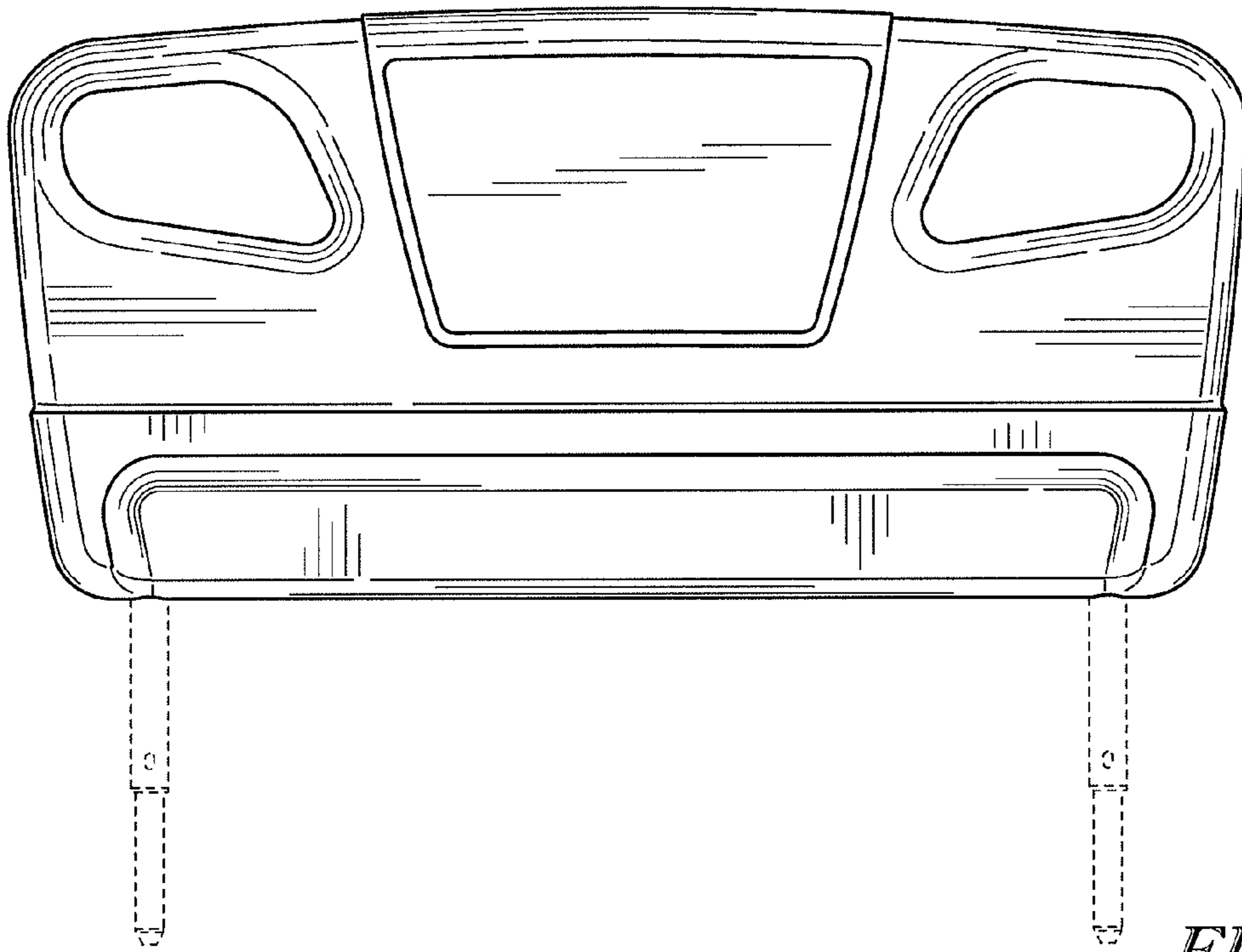


FIG. 2

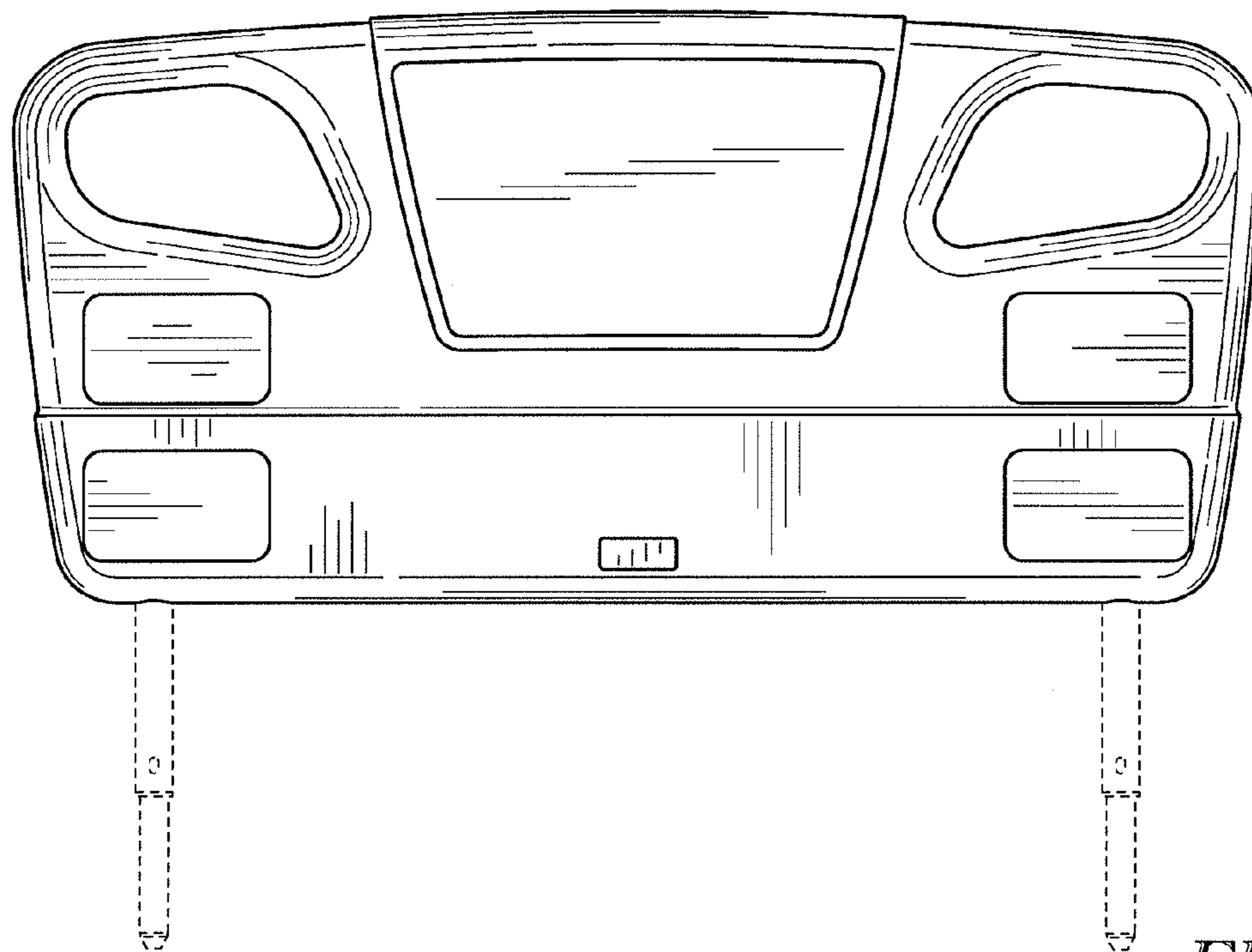


FIG. 3



FIG. 4



FIG. 5

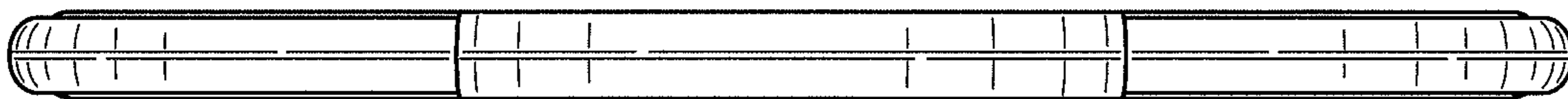


FIG. 6

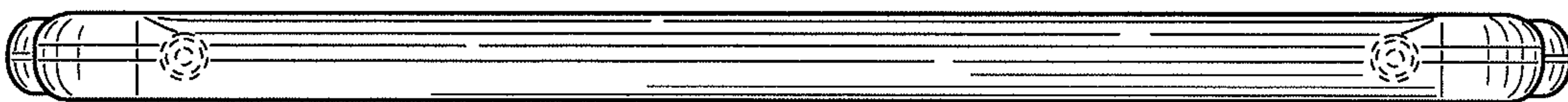


FIG. 7