



US00D770825S

(12) **United States Design Patent** (10) **Patent No.:** **US D770,825 S**
Burden (45) **Date of Patent:** **** Nov. 8, 2016**

(54) **HEADBOARD**

(71) Applicant: **Ian James Burden**, Sovereign Islands (AU)

(72) Inventor: **Ian James Burden**, Sovereign Islands (AU)

(**) Term: **14 Years**

(21) Appl. No.: **29/525,860**

(22) Filed: **May 4, 2015**

(30) **Foreign Application Priority Data**

Nov. 11, 2014 (AU) 15770/2014

(51) **LOC (10) Cl.** **06-01**

(52) **U.S. Cl.**
USPC **D6/718.22**

(58) **Field of Classification Search**
USPC D6/382-384, 391-395, 718, 718.13,
D6/718.19, 718.2, 718.21, 718.22, 718.23,
D6/718.3

CPC A47C 17/00; A47C 19/00; A47C 19/02;
A47C 19/022; A47D 7/00; A47D 7/01;
A47D 11/005

See application file for complete search history.

(56) **References Cited**

U.S. PATENT DOCUMENTS

D88,180 S * 11/1932 Van De Riet D6/393
5,754,993 A * 5/1998 Russell A47D 11/005
5/202
D459,907 S * 7/2002 Wilcox D6/395

D466,716 S * 12/2002 Tobin, Jr. D6/393
D557,033 S * 12/2007 De Blaay D6/393
2014/0173823 A1* 6/2014 Chui A47D 11/005
5/93.2

* cited by examiner

Primary Examiner — Cathron Brooks

(74) *Attorney, Agent, or Firm* — Dykema Gossett PLLC

(57) **CLAIM**

The ornamental design for a headboard, as shown and described.

DESCRIPTION

FIG. 1 is an elevational rear view of a headboard showing my new and ornamental design,

FIG. 2 is a bottom plan view thereof,

FIG. 3 is a top plan view thereof,

FIG. 4 is an elevational front view thereof,

FIG. 5 is an elevational left side view thereof,

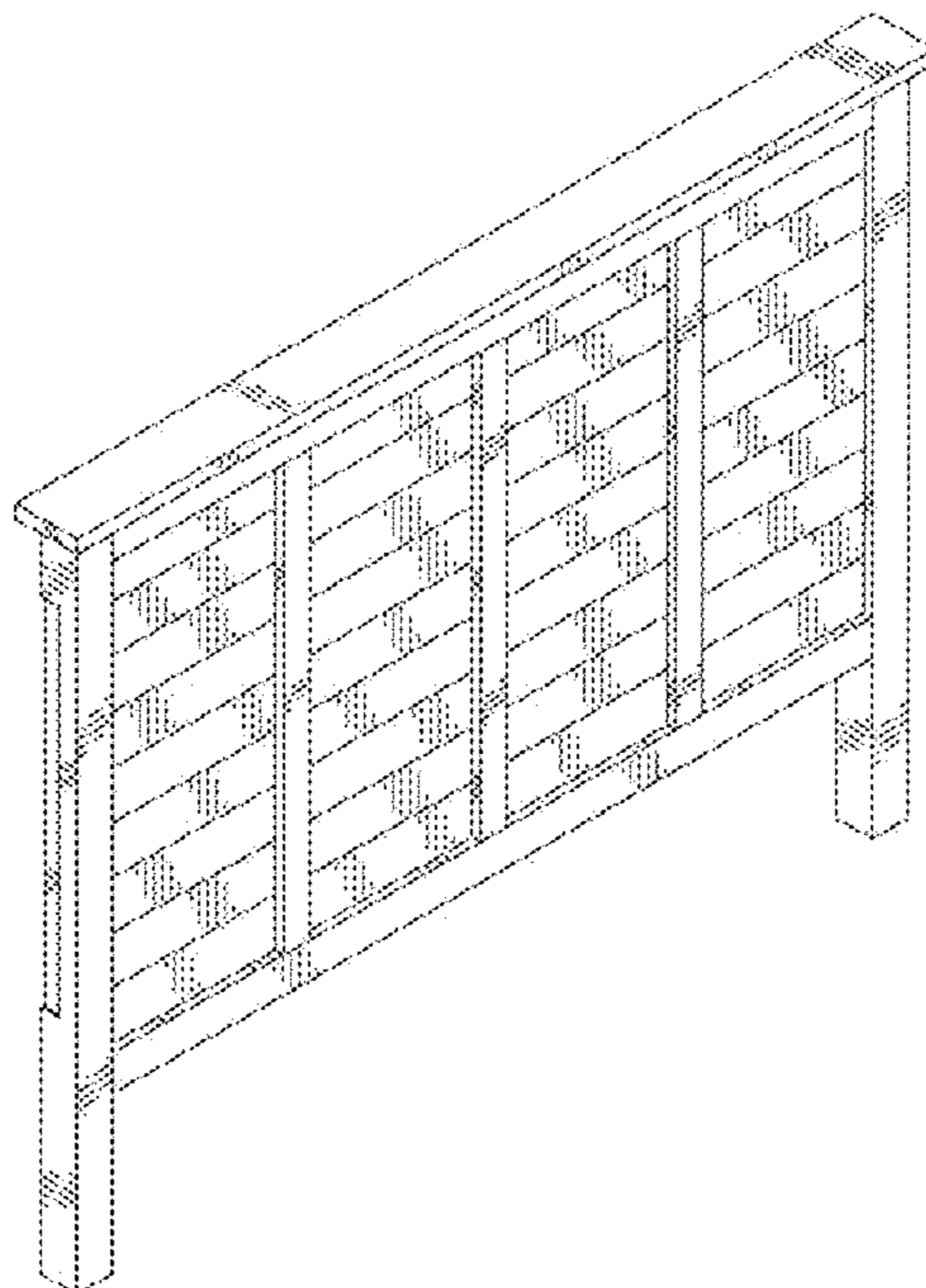
FIG. 6 is an elevational right side view thereof,

FIG. 7 is a first perspective rear view thereof,

FIG. 8 is a second perspective rear view thereof; and,

FIG. 9 is a perspective front view thereof.

1 Claim, 7 Drawing Sheets



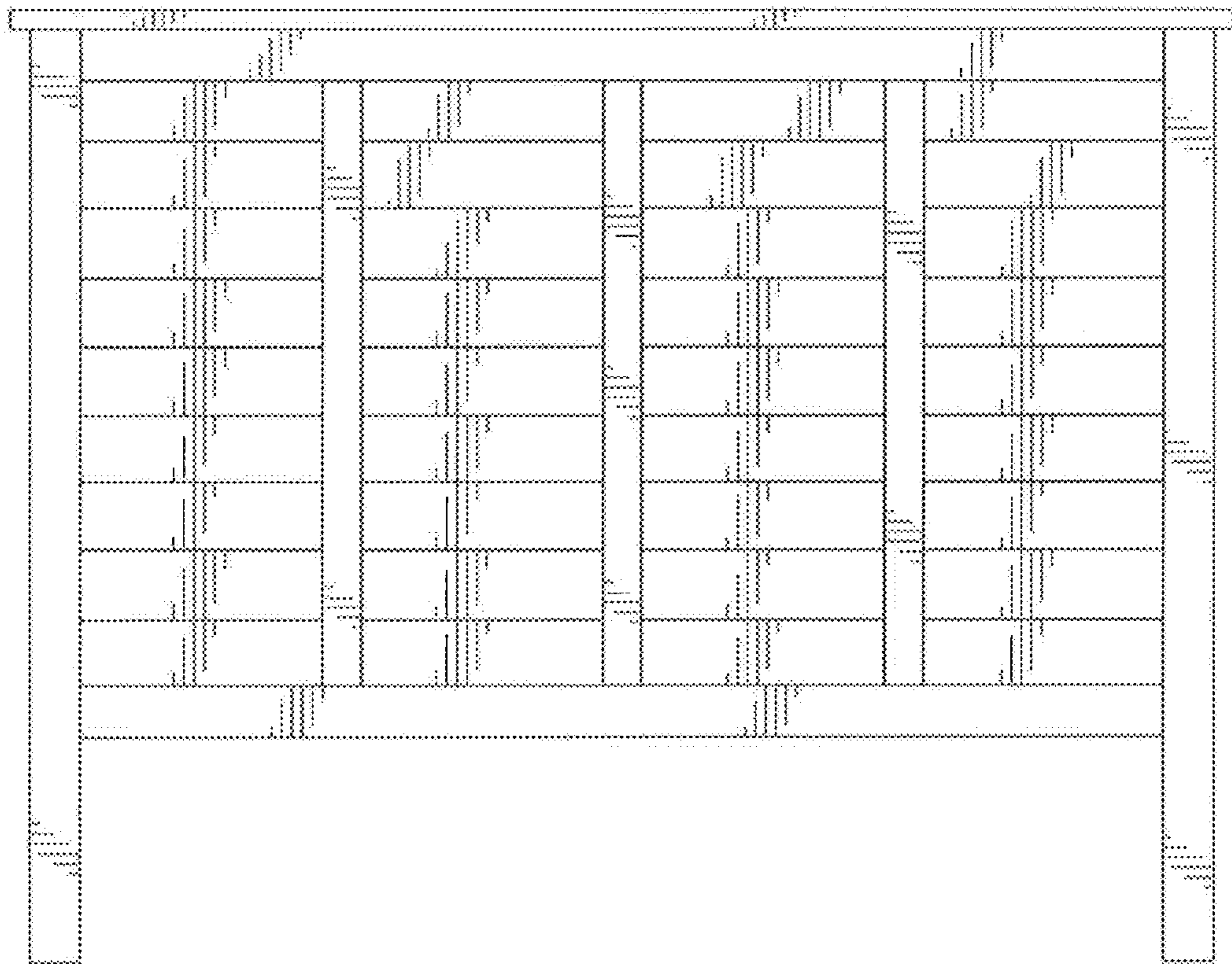


FIG. 1

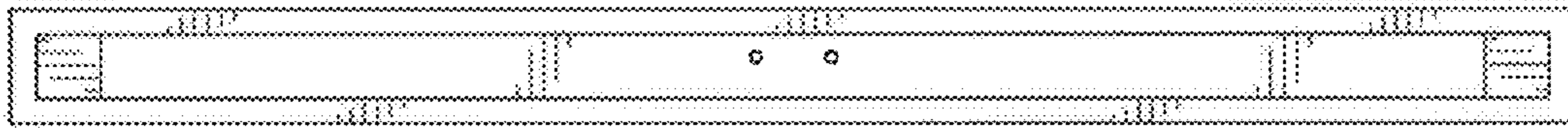


FIG. 2



FIG. 3

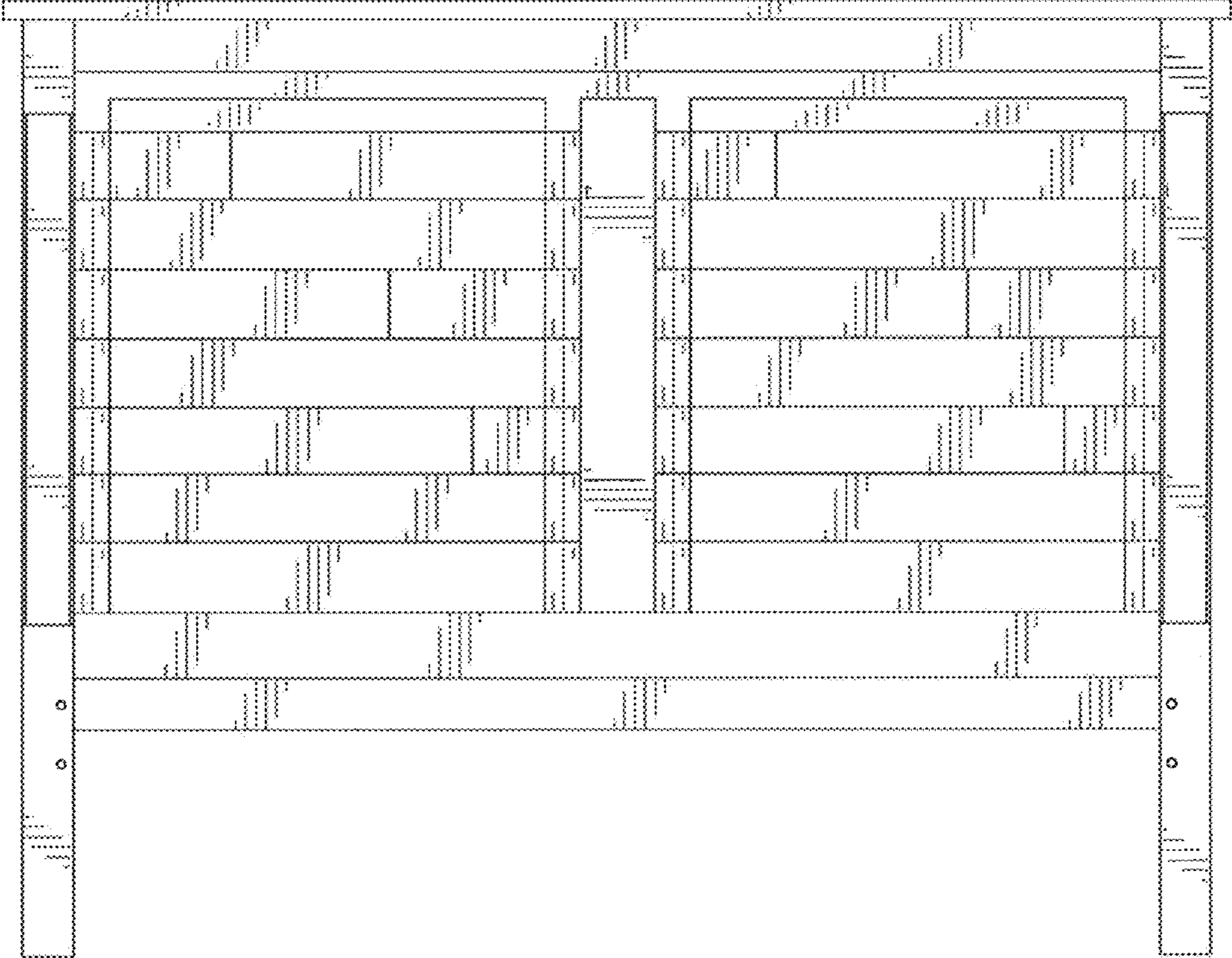


FIG. 4

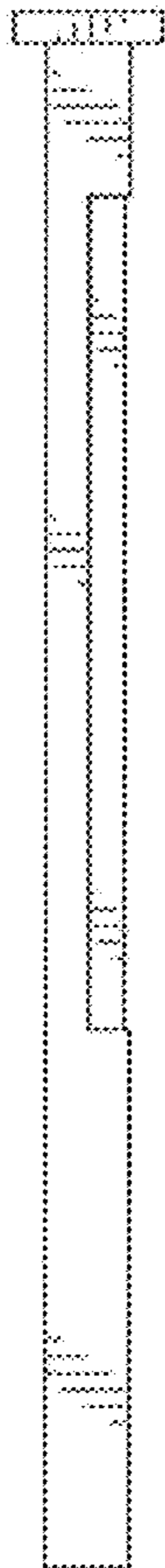


FIG. 5

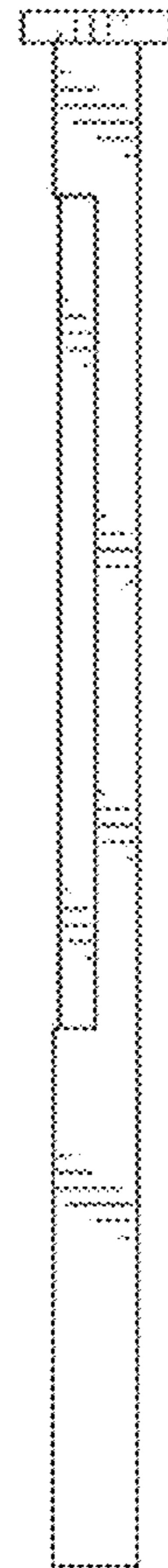


FIG. 6

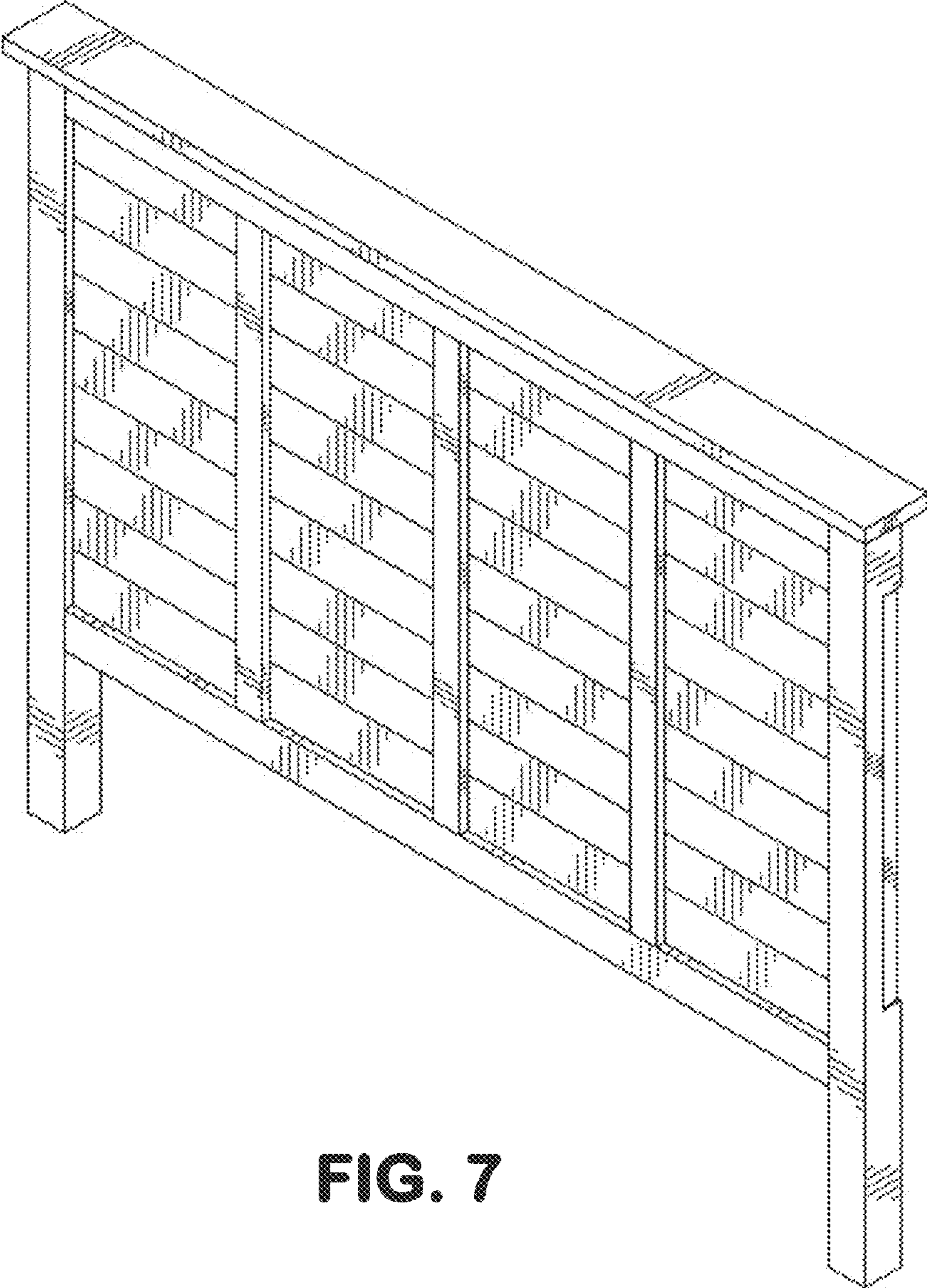


FIG. 7

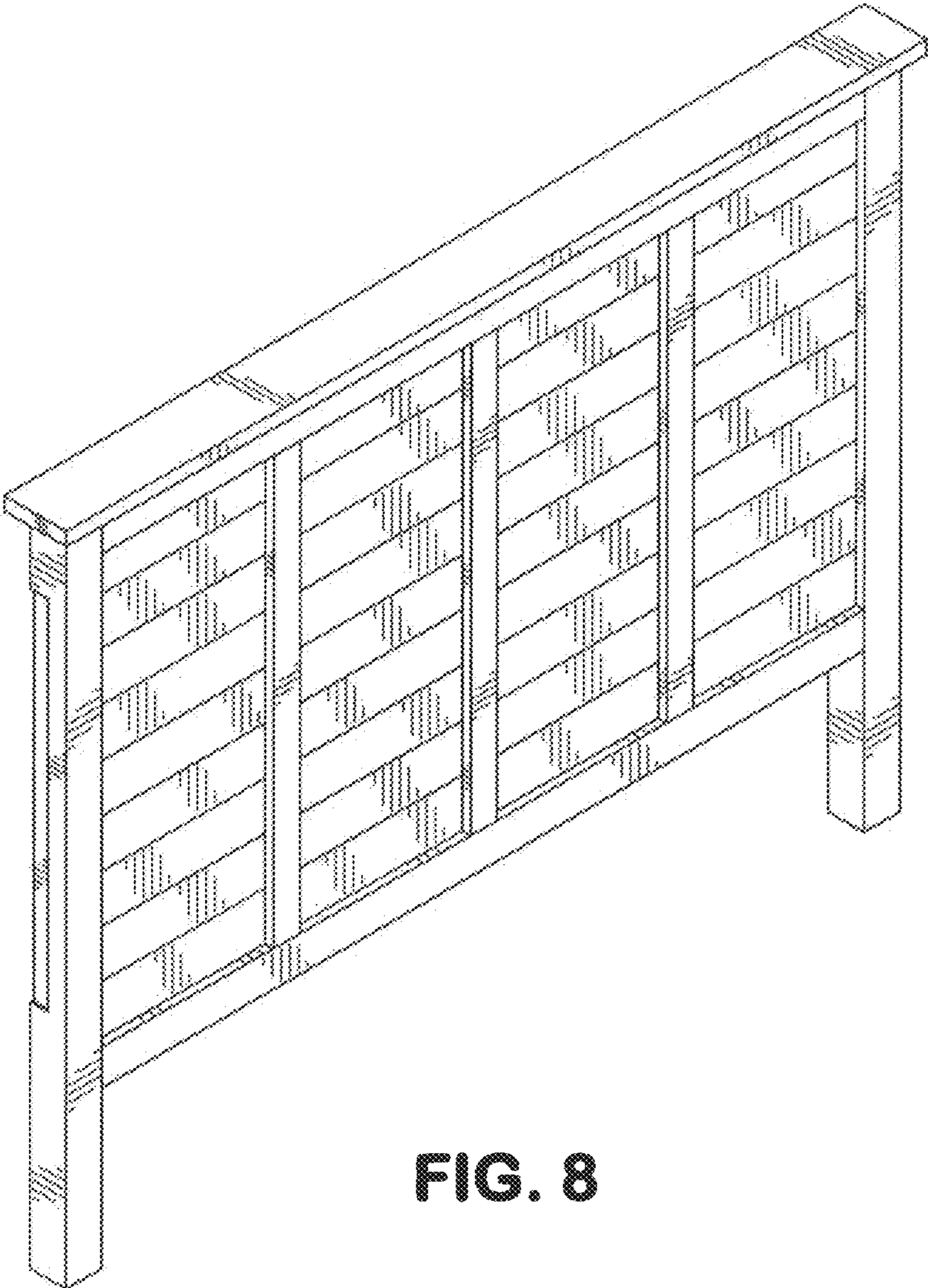


FIG. 8

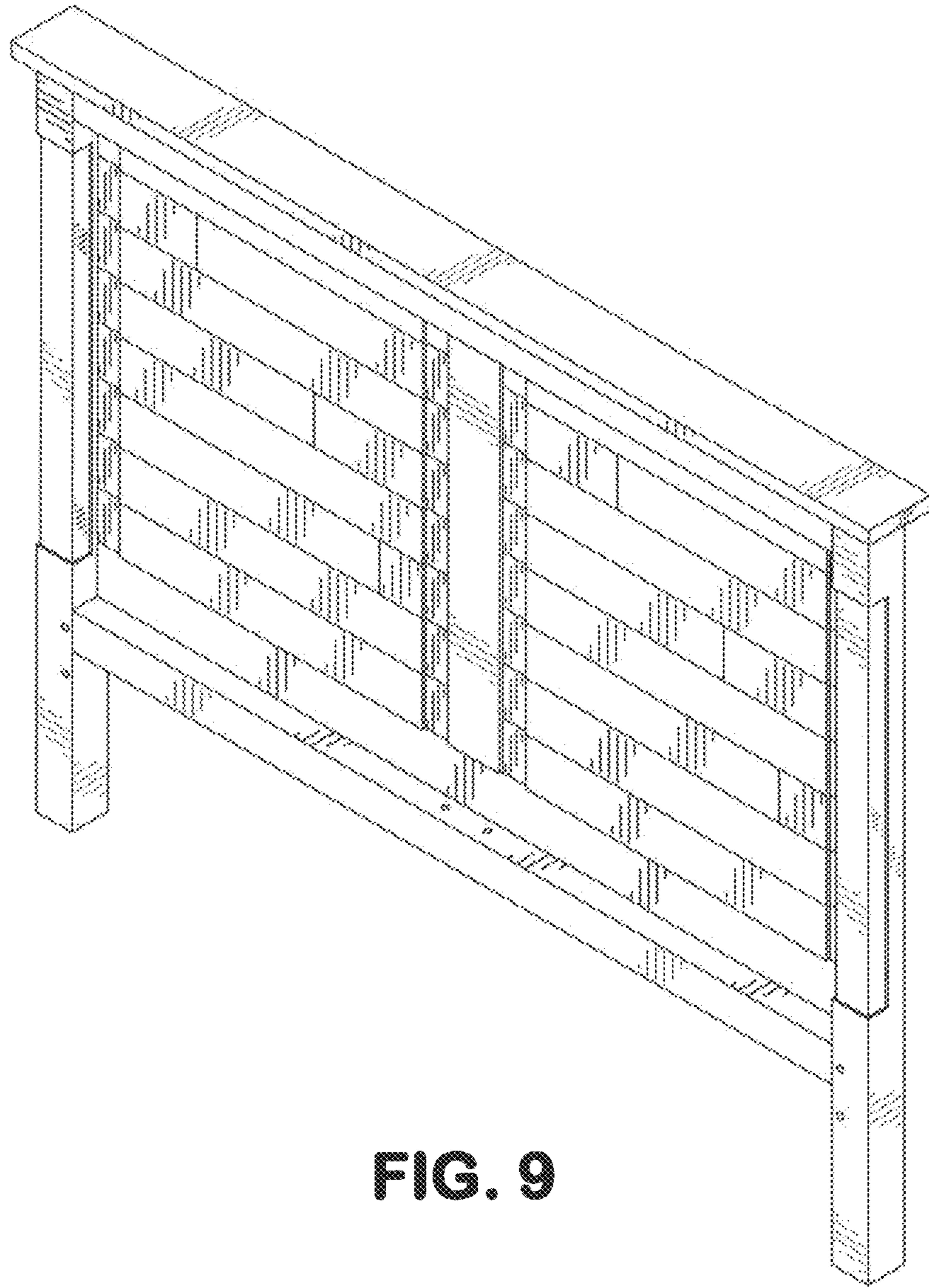


FIG. 9