

US00D770823S

(12) **United States Design Patent** (10) **Patent No.:** **US D770,823 S**  
**Kumazawa** (45) **Date of Patent:** **\*\* Nov. 8, 2016**

(54) **CHAIR**

FOREIGN PATENT DOCUMENTS

(71) Applicant: **Aichi Co., Ltd.**, Nagoya-shi, Aichi-ken (JP)

JP 1124178 S 10/2001  
JP 1160995 S 12/2002

(Continued)

(72) Inventor: **Taku Kumazawa**, Ichinomiya (JP)

OTHER PUBLICATIONS

(73) Assignee: **Aichi Co., Ltd.**, Nagoya-shi, Aichi-ken (JP)

Restriction Requirement for U.S. Appl. No. 29/493,717 dated Dec. 9, 2015.

(\*\*) Term: **15 Years**

(Continued)

(21) Appl. No.: **29/552,661**

*Primary Examiner* — Mimoso De

(22) Filed: **Jan. 25, 2016**

(74) *Attorney, Agent, or Firm* — Jenkins, Wilson, Taylor & Hunt, P.A.

**Related U.S. Application Data**

(62) Division of application No. 29/493,717, filed on Jun. 12, 2014, now Pat. No. Des. 756,140.

(57) **CLAIM**

The ornamental design for a chair, as shown and described.

(30) **Foreign Application Priority Data**

**DESCRIPTION**

Dec. 13, 2013 (JP) ..... 2013-029293  
Dec. 13, 2013 (JP) ..... 2013-029294  
Dec. 13, 2013 (JP) ..... 2013-029297

(51) **LOC (10) Cl.** ..... **06-01**

(52) **U.S. Cl.**  
USPC ..... **D6/716.1; D6/368**

(58) **Field of Classification Search**  
USPC ..... D6/334-336, 368, 373, 374, 376, 379,  
D6/380, 716, 716.1, 716.2, 716.3, 716.4  
CPC ..... A47C 1/46; A47C 4/03; A47C 4/04;  
A47C 4/18; A47C 5/04; A47C 5/10; A47C  
7/40  
See application file for complete search history.

FIG. 1 is a front perspective view of a chair in an unfolded state showing my design;  
FIG. 2 is a rear perspective view of the chair in an unfolded state;  
FIG. 3 is a top plan view of the chair in an unfolded state;  
FIG. 4 is a bottom plan view of the chair in an unfolded state;  
FIG. 5 is a right side elevation view of the chair in an unfolded state, the left side elevation view of the chair being a mirror image of the right side elevation view shown in FIG. 5;  
FIG. 6 is a front elevation view of the chair in an unfolded state;  
FIG. 7 is a rear elevation view of the chair in an unfolded state; and,  
FIG. 8 is a cross-sectional view of the chair taken along line 8-8 of FIG. 6 in an unfolded state.  
The broken lines are included for the purpose of illustrating environment of the design and form no part of the claimed design.

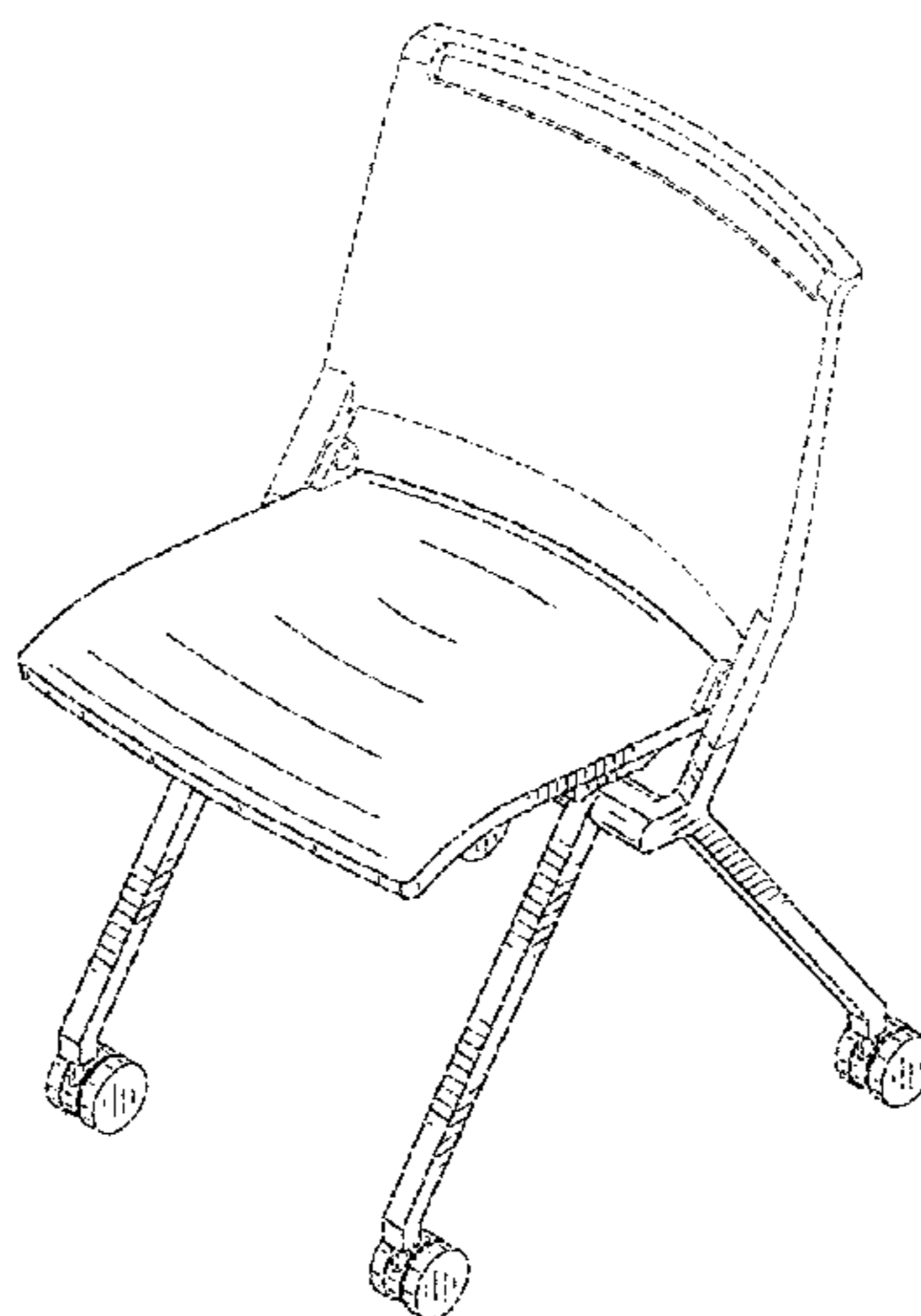
(56) **References Cited**

**U.S. PATENT DOCUMENTS**

D435,977 S \* 1/2001 Ambasz ..... D6/368  
D447,353 S \* 9/2001 Peloquin ..... D6/368

(Continued)

**1 Claim, 4 Drawing Sheets**



(56)

**References Cited**

U.S. PATENT DOCUMENTS

D471,373 S 3/2003 Starczewski et al.  
D513,457 S \* 1/2006 Asano ..... D6/376  
D513,902 S 1/2006 Piretti  
D589,276 S 3/2009 Dauphin  
D605,421 S \* 12/2009 Baldanzi ..... D6/368  
D605,867 S 12/2009 Lu  
7,971,935 B2 \* 7/2011 Saez ..... A47C 5/04  
297/446.1  
D649,804 S \* 12/2011 Keller ..... D6/374  
D667,649 S 9/2012 Waite et al.  
D672,581 S \* 12/2012 Piretti ..... D6/716.1  
D673,396 S \* 1/2013 Piretti ..... D6/376  
D686,833 S 7/2013 Chan  
D686,835 S 7/2013 Mascetti et al.

8,690,243 B2 4/2014 Fletcher et al.  
D715,069 S 10/2014 Zhu  
D736,007 S 8/2015 Lu  
D740,044 S 10/2015 Brown et al.  
D756,140 S \* 5/2016 Kumazawa ..... D6/368

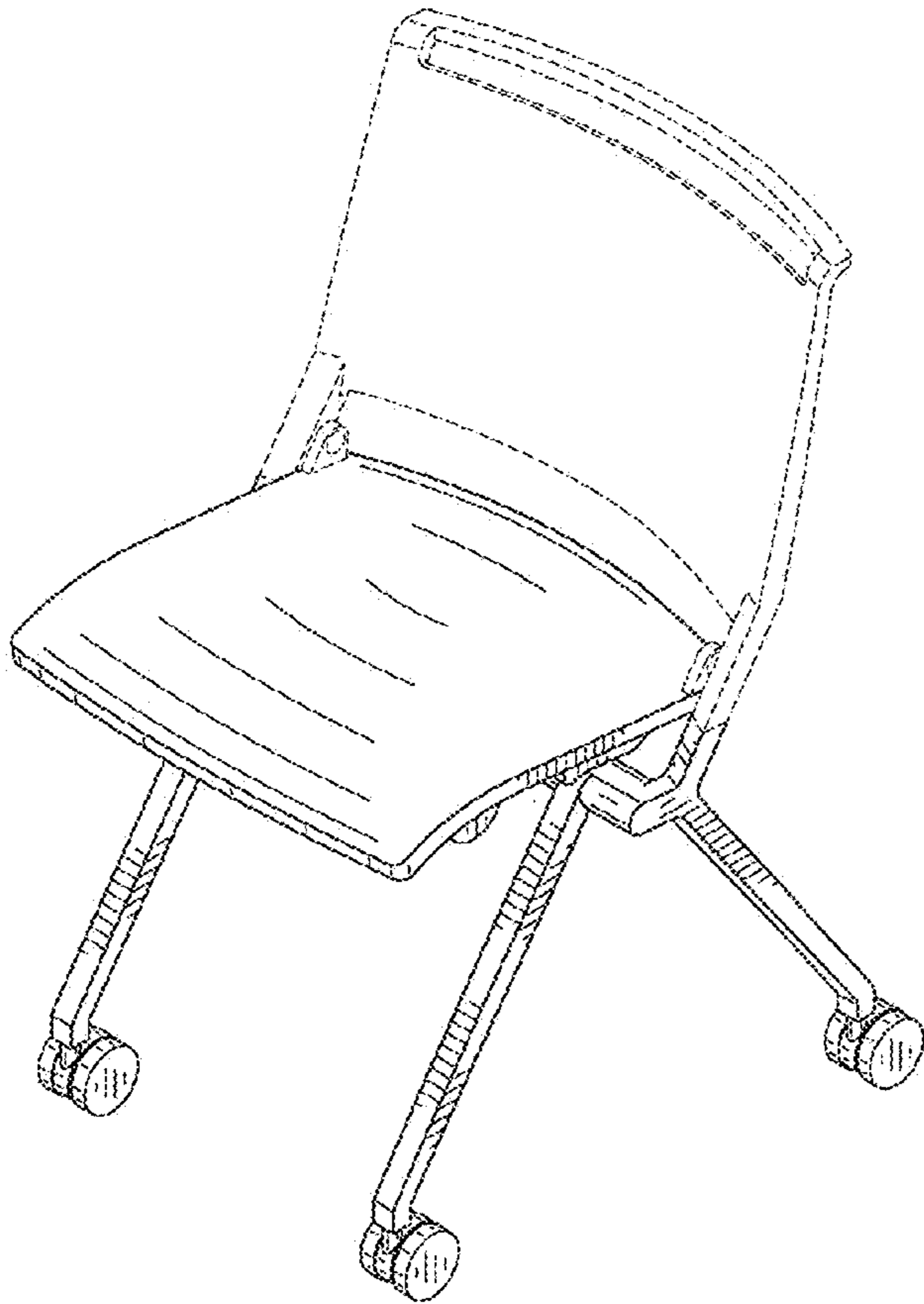
FOREIGN PATENT DOCUMENTS

JP 1326403 S 4/2008  
JP 1333872 S 5/2008

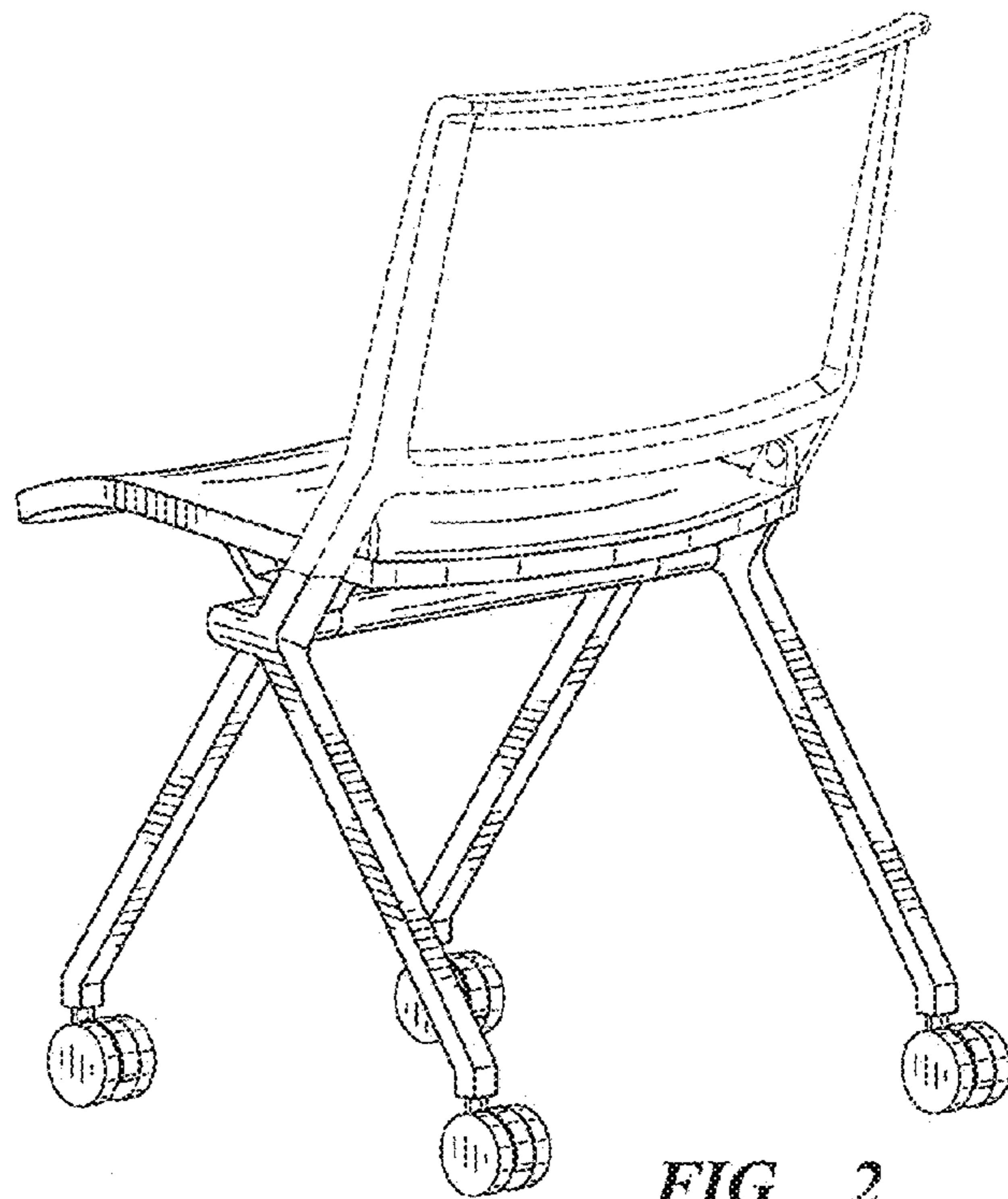
OTHER PUBLICATIONS

Notice of Allowance for U.S. Appl. No. 29/493,717 dated Jan. 25, 2016.

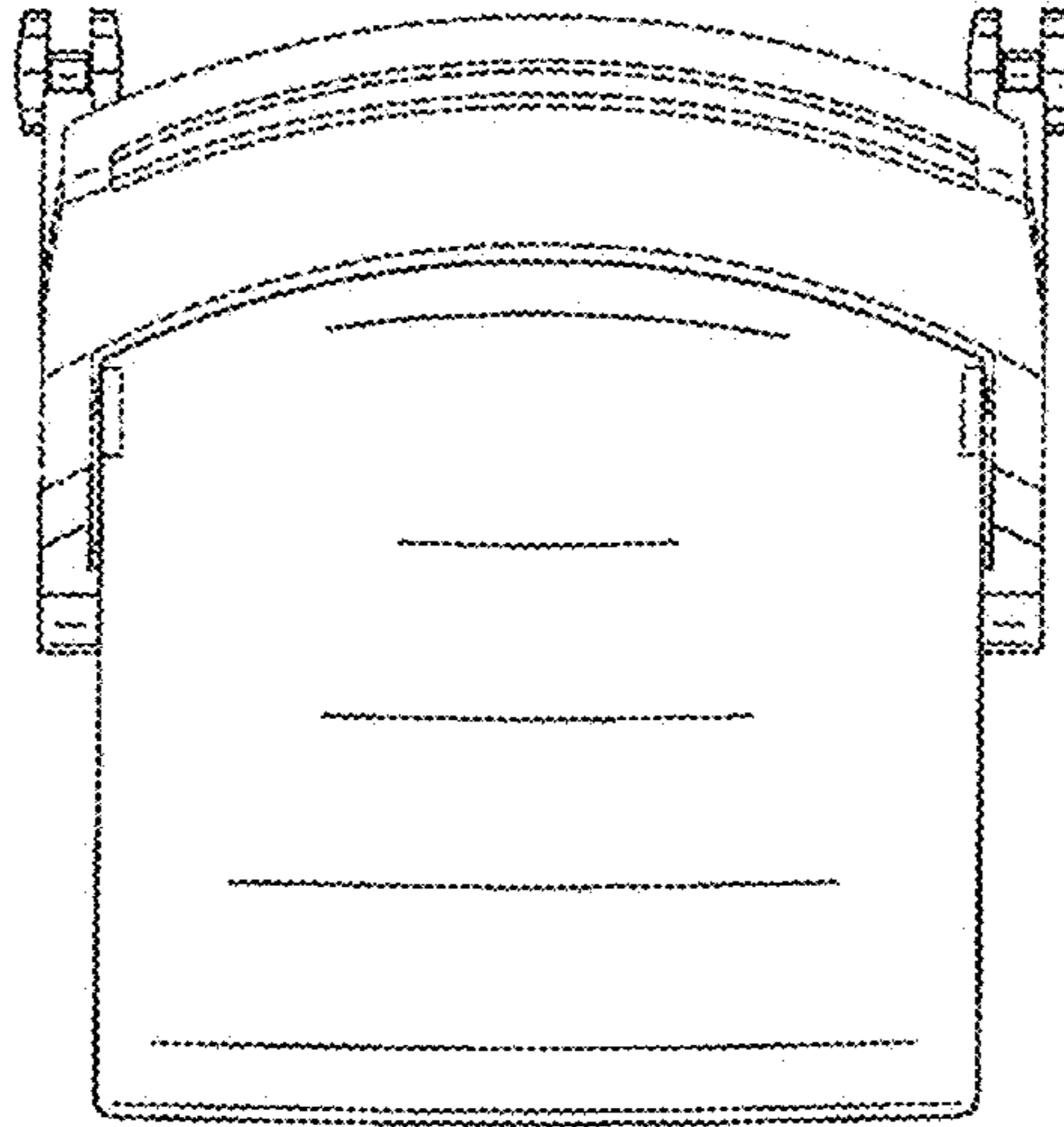
\* cited by examiner



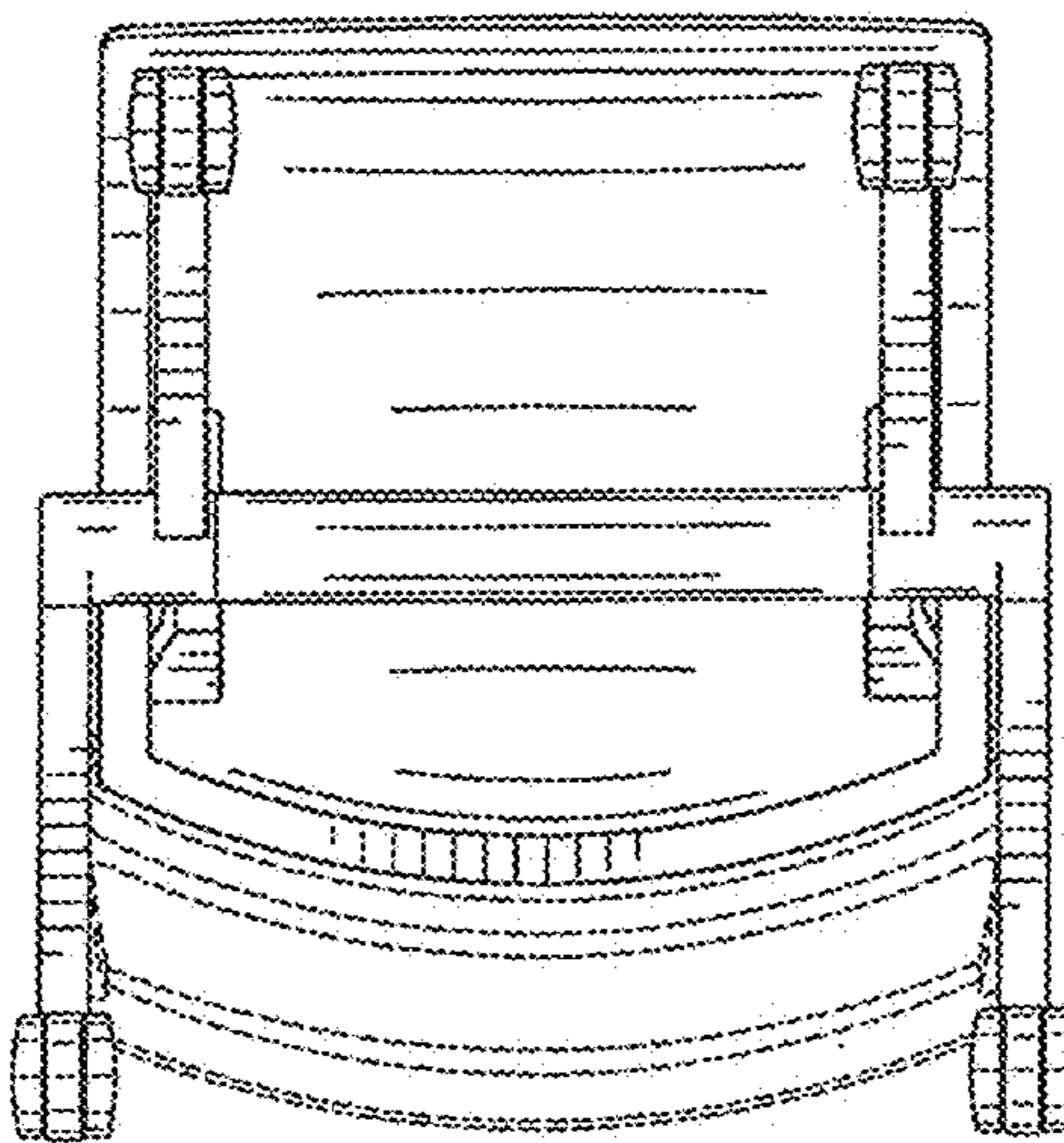
*FIG. 1*



*FIG. 2*



*FIG. 3*



*FIG. 4*

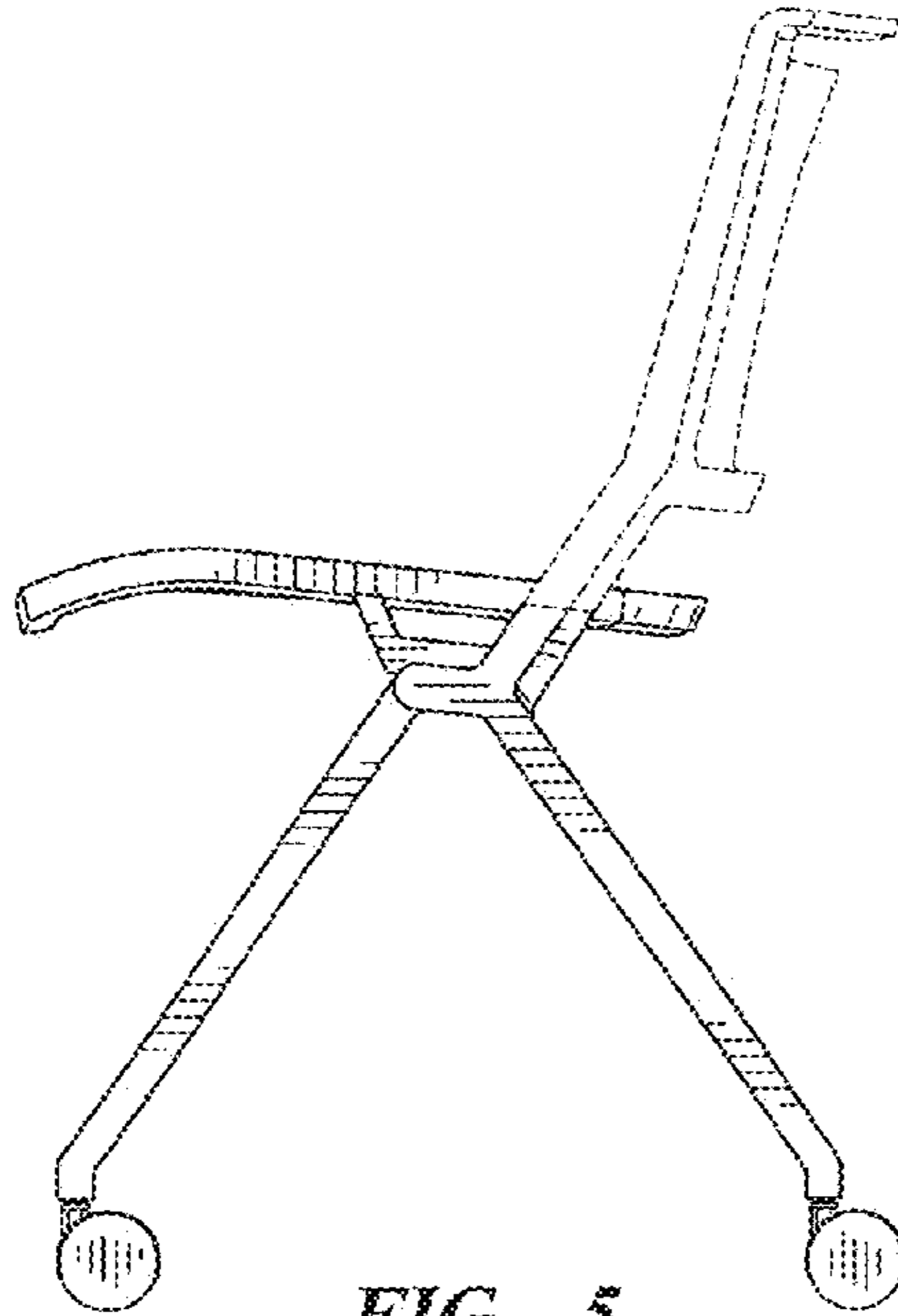


FIG. 5

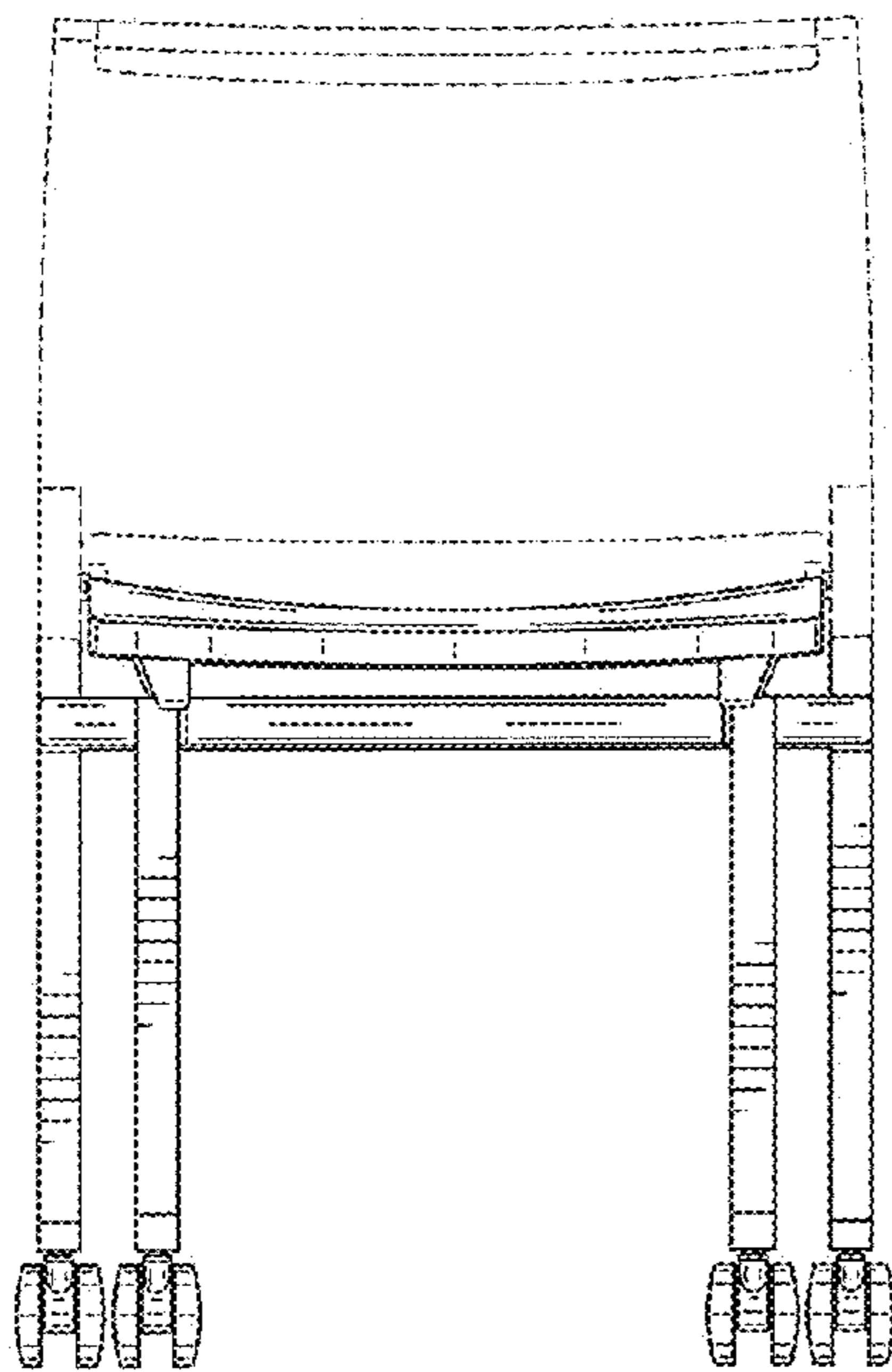


FIG. 6

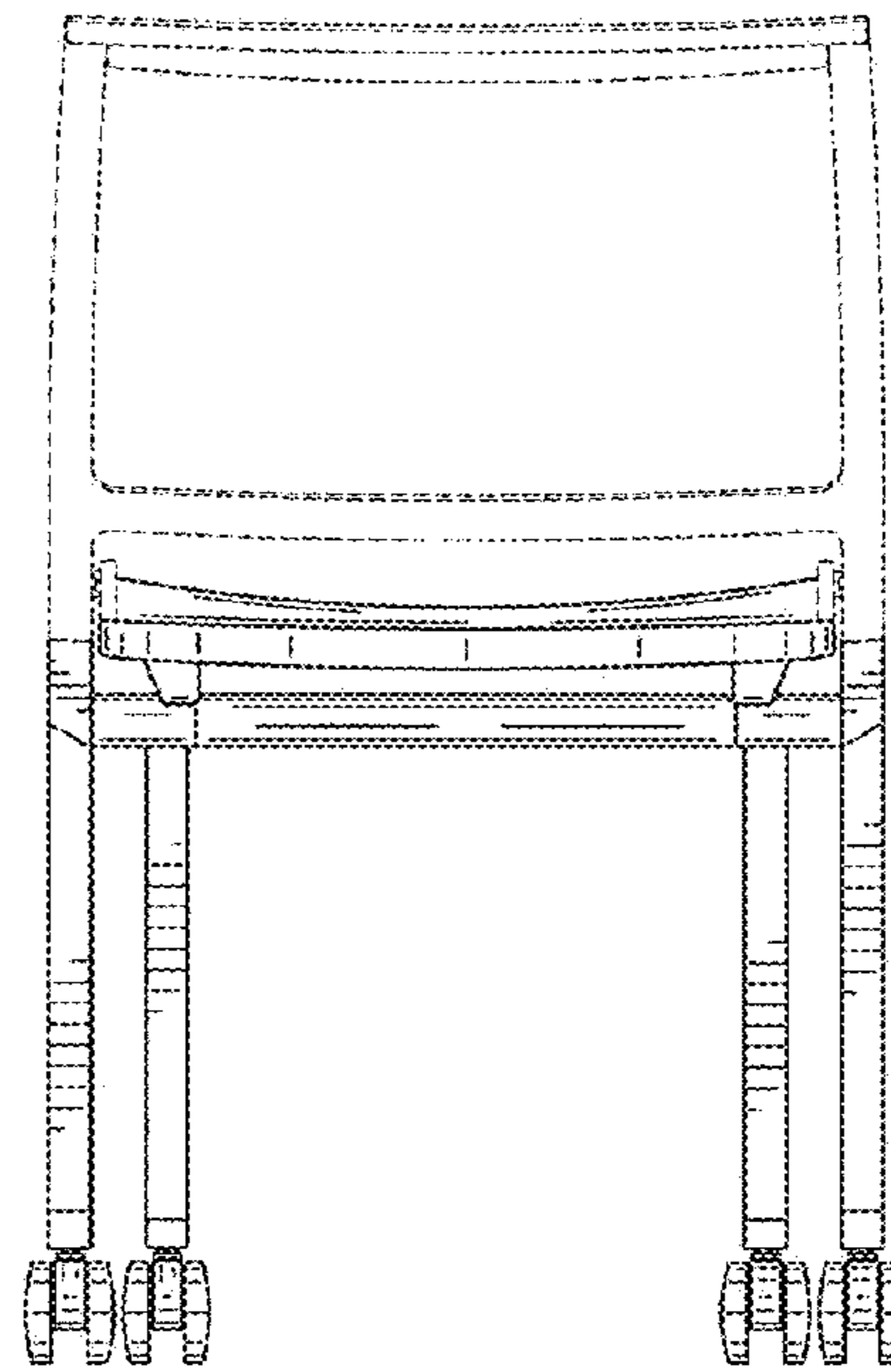


FIG. 7

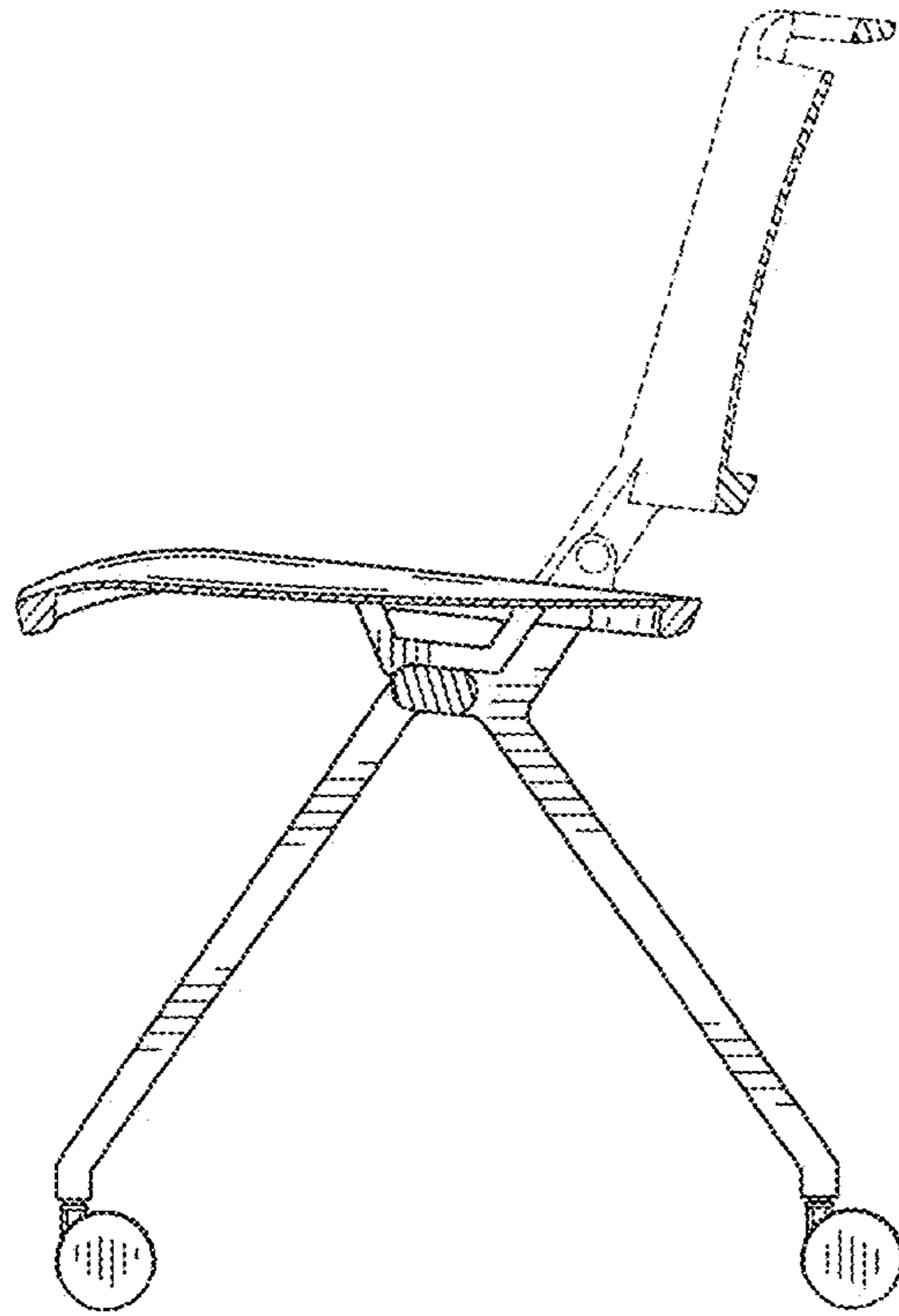


FIG. 8