



US00D770822S

(12) **United States Design Patent** (10) **Patent No.:** **US D770,822 S**
Schweikarth (45) **Date of Patent:** **** Nov. 8, 2016**

(54) **CHAIR**
(71) Applicant: **Kimball International, Inc.**, Jasper, IN (US)
(72) Inventor: **Derek Schweikarth**, Celestine, IN (US)
(73) Assignee: **Kimball International, Inc.**, Jasper, IN (US)
(**) Term: **15 Years**

2,586,595 A 2/1952 Ashby
2,696,870 A 12/1954 Mende
D177,215 S 3/1956 Collins
D180,137 S 4/1957 Del Giudice
2,793,685 A 5/1957 Spitz
D181,670 S 12/1957 Paul
D181,844 S 1/1958 Frey
D181,845 S 1/1958 Frey
2,822,861 A 2/1958 Parent
2,843,195 A 7/1958 Barvaeus
2,849,729 A 9/1958 Goodey, Jr. et al.

(Continued)

(21) Appl. No.: **29/553,574**

FOREIGN PATENT DOCUMENTS

(22) Filed: **Feb. 3, 2016**

BR MU8801543-2 2/2010
RU 2 231 965 7/2004

Related U.S. Application Data

(62) Division of application No. 29/491,746, filed on May 23, 2014, now Pat. No. Des. 751,846.

(51) **LOC (10) Cl.** **06-01**

(52) **U.S. Cl.**
USPC **D6/716; D6/366**

(58) **Field of Classification Search**
USPC D6/334-336, 364, 365, 366, 374, 716,
D6/716.1, 716.2, 716.4, 717
CPC A47C 4/02; A47C 7/00; A47C 7/18;
A47C 7/24; A47C 3/16
See application file for complete search history.

OTHER PUBLICATIONS

Teknion "dna" Product Information, at least as early as Jun. 11, 2010.

(Continued)

Primary Examiner — Mimosa De
(74) *Attorney, Agent, or Firm* — Faegre Baker Daniels LLP

(57) **CLAIM**
The ornamental design for a chair, as shown.

(56) **References Cited**

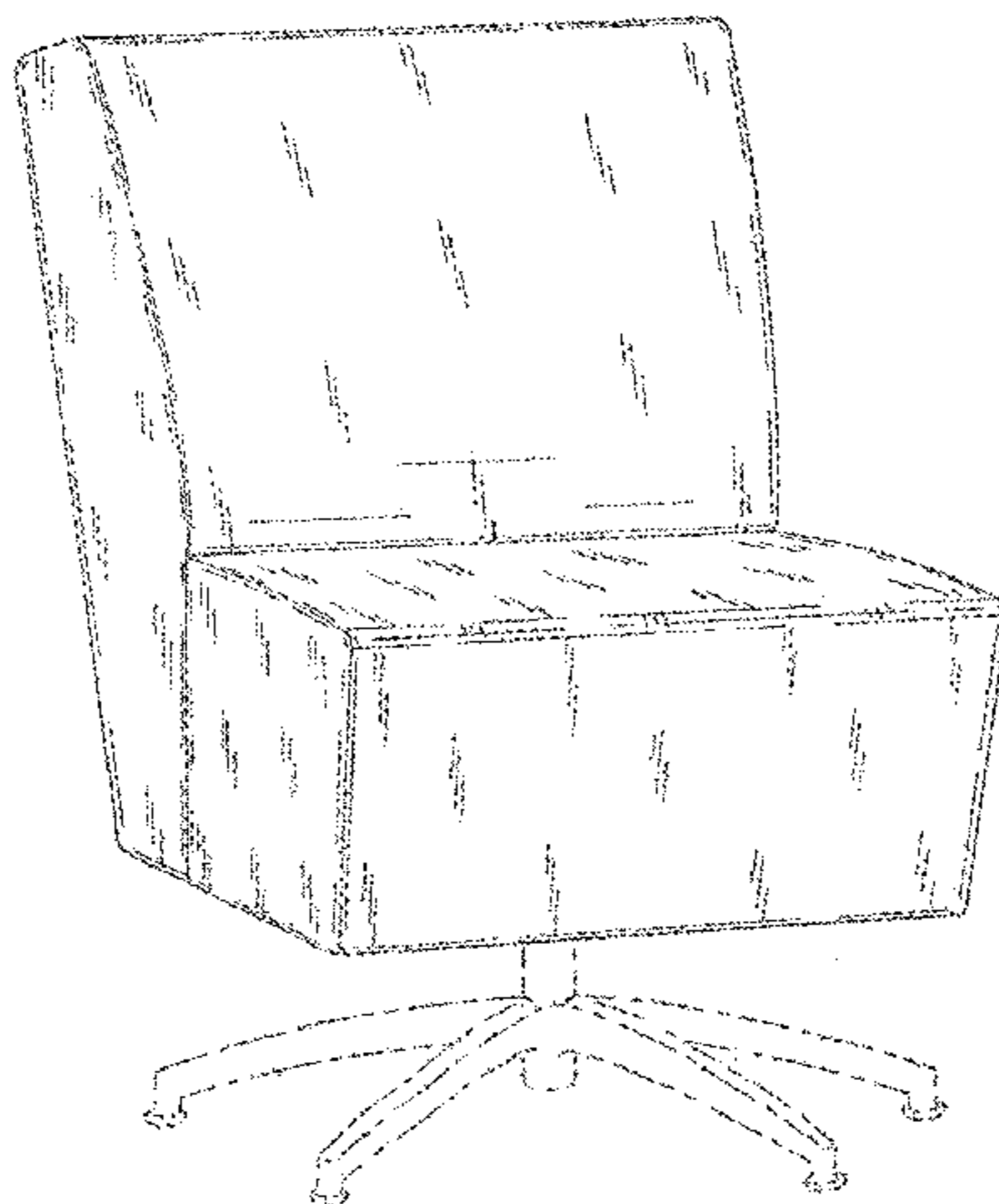
U.S. PATENT DOCUMENTS

219,589 A 9/1879 Mayo
797,826 A 8/1905 Sherman, Jr.
1,648,717 A 11/1927 Blitz et al.
1,890,102 A 12/1932 Urquhart
2,164,715 A 7/1939 Krainbill
D130,795 S 12/1941 Eppenstein
D132,876 S 6/1942 Cooper
D155,624 S 10/1949 Pahlmann
D156,857 S 1/1950 Wallance
D162,426 S 3/1951 Michelson

DESCRIPTION

FIG. 1 is a front perspective view of a design for a chair;
FIG. 2 is a front view thereof;
FIG. 3 is a right side view thereof;
FIG. 4 is left side view thereof;
FIG. 5 is a rear view thereof; and,
FIG. 6 is a top view thereof.
Features shown in broken lines form no part of the claimed design.

1 Claim, 3 Drawing Sheets



(56)

References Cited

U.S. PATENT DOCUMENTS

D184,081 S	12/1958	Belz	6,179,381 B1	1/2001	Gevaert	
D188,049 S	5/1960	Galloway	D439,432 S	3/2001	Hutton	
3,002,787 A	10/1961	Ziegenfuss	D441,224 S	5/2001	Scheper et al.	
3,074,762 A	1/1963	Kris	6,260,903 B1	7/2001	von der Heyde	
3,118,704 A	1/1964	Meserve	6,343,835 B1	2/2002	Ledbetter	
3,127,216 A	3/1964	Clouse	D454,441 S	3/2002	Bermudez et al.	
3,137,012 A	6/1964	Halterman	6,412,862 B1	7/2002	Dickerson et al.	
D199,788 S	12/1964	Pearl	6,447,067 B1	9/2002	Williams et al.	
3,328,810 A	7/1967	Berman	6,536,841 B1	3/2003	Pearce et al.	
D212,878 S	12/1968	Müller et al.	D476,819 S	7/2003	Williams et al.	
D214,041 S	5/1969	Shoemaker	6,616,228 B2	9/2003	Heidmann	
3,528,096 A	9/1970	Moberg	D480,883 S	10/2003	Williams et al.	
3,568,967 A	3/1971	Furtak et al.	D482,535 S	11/2003	Williams et al.	
3,638,997 A	2/1972	Shapiro et al.	D482,536 S	11/2003	Williams et al.	
3,811,728 A	5/1974	Redemske	6,669,301 B1	12/2003	Funk et al.	
3,893,729 A	7/1975	Sherman et al.	6,683,394 B1	1/2004	Gevaert	
D240,481 S	7/1976	Fister, Jr.	D487,998 S	4/2004	Natuzzi et al.	
D241,485 S	9/1976	Blodee	D493,966 S	8/2004	Rach	
D241,795 S	10/1976	Fister, Jr.	D495,893 S	9/2004	Ricci	
D242,304 S	11/1976	Petersilie	6,824,213 B2	11/2004	Skelly et al.	
3,990,741 A	11/1976	Snyder et al.	6,824,220 B1	11/2004	Davison	
4,019,779 A	4/1977	Hogan	6,827,405 B1	12/2004	Roberts	
D246,023 S	10/1977	Hillman et al.	7,020,911 B2	4/2006	Oldham	
D250,230 S	11/1978	Kotula	7,040,695 B2	5/2006	McClure	
D251,760 S	5/1979	Vandenbeuck	D525,802 S	8/2006	Spear	
D252,490 S	7/1979	Petersilie	D527,922 S	9/2006	Shilling et al.	
D253,261 S	10/1979	Webster	7,131,699 B2	11/2006	Mulmed	
D253,326 S	11/1979	Brukoff	D538,549 S	3/2007	Spear	
4,212,090 A	7/1980	Ehrlich	7,213,885 B2	5/2007	White, III et al.	
4,262,962 A	4/1981	Yust	D544,233 S	6/2007	Hutton	
D259,601 S	6/1981	Marks	D547,967 S	8/2007	Oldham	
D261,953 S	11/1981	Aronowitz et al.	D549,010 S	8/2007	Sorci	
D261,954 S	11/1981	Aronowitz et al.	D549,470 S	8/2007	Hutton	
D262,163 S	12/1981	Aronowitz et al.	D559,576 S	1/2008	Bauchet	
D262,164 S	12/1981	Aronowitz et al.	D563,112 S	3/2008	Swanson	
D262,166 S	12/1981	Aronowitz et al.	D572,932 S	7/2008	van Ierssel et al.	
D262,421 S	12/1981	Aronowitz et al.	7,419,220 B2 *	9/2008	White, III	A47C 7/00 297/440.1
D264,026 S	4/1982	Mascheroni	D577,925 S	10/2008	Gomez	
D270,403 S	9/1983	Matthias	D578,798 S	10/2008	Ricci	
D273,156 S	3/1984	Dubbin et al.	D582,688 S	12/2008	Spear	
D273,253 S	4/1984	Dubbin et al.	D583,578 S	12/2008	Swanson	
D273,254 S	4/1984	Fairaizen	D583,585 S	12/2008	Weiss	
4,455,008 A	6/1984	MacKew	D584,524 S	1/2009	Ricci	
D281,655 S	12/1985	Carter	D585,200 S	1/2009	Lissoni	
4,563,040 A	1/1986	Alster	D586,590 S	2/2009	Schweikarth et al.	
D282,423 S	2/1986	Carter	D590,623 S	4/2009	Natuzzi	
D284,142 S	6/1986	Raftery	7,530,640 B2	5/2009	Walters et al.	
D284,428 S	7/1986	Raftery	7,547,073 B2	6/2009	White, III et al.	
D289,466 S	4/1987	Leib	D595,980 S	7/2009	Walters	
D290,559 S	6/1987	Raftery	D597,328 S	8/2009	Schweikarth et al.	
D290,788 S	7/1987	Raftery	D600,037 S	9/2009	Natuzzi	
D298,784 S	12/1988	Friedman	D601,825 S	10/2009	Starck	
4,938,401 A	7/1990	Weisbrodt et al.	D603,177 S	11/2009	Kubryk	
D311,283 S	10/1990	Warren	7,614,704 B2	11/2009	Whelan et al.	
4,962,964 A	10/1990	Snodgrass	D605,430 S	12/2009	Gharabegian	
D313,893 S	1/1991	Hopfer	D605,431 S	12/2009	Gharabegian	
D327,174 S	6/1992	Hopfer	D609,034 S	2/2010	Lissoni	
D336,172 S	6/1993	Gibson	D613,960 S	4/2010	Griepentrog et al.	
D336,377 S	6/1993	Gibson	D614,876 S	5/2010	Metcalf et al.	
D337,002 S	7/1993	Gibson	D618,016 S	6/2010	Metcalf et al.	
D338,567 S	8/1993	Hutton	D618,935 S	7/2010	Metcalf et al.	
5,255,958 A	10/1993	Frischmann	7,770,965 B2	8/2010	Zwezdaryk	
D355,981 S	3/1995	Kim	D624,328 S	9/2010	Grandin et al.	
D382,124 S	8/1997	Chandler	7,963,612 B2	6/2011	Nelson	
D386,622 S	11/1997	Kelley et al.	D643,643 S	8/2011	Lievore	
D388,628 S	1/1998	Hutton	D645,672 S	9/2011	Lievore et al.	
D390,017 S	2/1998	Lewis	D646,084 S	10/2011	Lievore et al.	
D410,350 S	6/1999	Stangl	D646,499 S	10/2011	Metcalf et al.	
5,957,530 A	9/1999	Gutgsell	D647,715 S	11/2011	Kubryk	
5,971,487 A	10/1999	Passehl	8,075,054 B2	12/2011	Smith	
D422,810 S	4/2000	Rasp	D654,285 S	2/2012	Messenger	
D426,724 S	6/2000	Stangl	D656,327 S	3/2012	Metcalf et al.	
D427,448 S	7/2000	Natuzzi et al.	8,132,856 B2	3/2012	Wilson et al.	
6,102,476 A	8/2000	May et al.	D659,413 S	5/2012	Arko et al.	
6,142,559 A	11/2000	Sorel et al.	D662,338 S	6/2012	Arko et al.	
			D662,733 S	7/2012	Metcalf et al.	
			D666,847 S	9/2012	Metcalf et al.	
			D668,892 S	10/2012	Metcalf et al.	

(56)

References Cited

U.S. PATENT DOCUMENTS

D669,702	S	10/2012	Barefoot	
D671,333	S	11/2012	Metcalf et al.	
D671,341	S	11/2012	Metcalf et al.	
D675,844	S	2/2013	Cramer et al.	
D677,911	S	3/2013	Hamilton et al.	
D680,347	S	4/2013	Metcalf et al.	
D688,476	S	8/2013	Metcalf et al.	
D693,584	S *	11/2013	Kanhasamy	D6/334
D695,038	S	12/2013	Metcalf et al.	
D728,947	S *	5/2015	Schweikarth	D6/336
D728,983	S *	5/2015	Schweikarth	D6/717
D731,835	S *	6/2015	Schweikarth	D6/717
D737,591	S *	9/2015	Kanhasamy	D6/381
D751,846	S *	3/2016	Schweikarth	D6/716
2003/0107247	A1	6/2003	Wills et al.	
2004/0070243	A1	4/2004	Cha	
2004/0095019	A1	5/2004	Gevaert	
2005/0140199	A1	6/2005	Kang et al.	
2006/0273650	A1	12/2006	Embach	
2009/0152915	A1	6/2009	Krasna et al.	
2009/0184612	A1	7/2009	McClure	
2009/0315381	A1	12/2009	Longnecker	
2009/0315382	A1	12/2009	Nelson	
2011/0012403	A1	1/2011	Wilson et al.	
2011/0298340	A1	12/2011	Nelson et al.	
2012/0200129	A1	8/2012	Wilson, Jr.	

OTHER PUBLICATIONS

Turnstone “Lincoln” Product Information, at least as early as Jun. 11, 2010.
 Haworth “Tuxedo” Product Information, at least as early as Jun. 11, 2010.

Keilhauer, Laughton Series “Grand” Product Information, at least as early as Jun. 11, 2010.
 Martin Brattrud “Muirfield” Product Information, at least as early as Jun. 11, 2010.
 Teknion “Freesia” Product Information, at least as early as Jun. 11, 2010.
 National “Pennant” Product Information, at least as early as Jun. 11, 2010.
 Brandrud “Reflect” Product Information, at least as early as Jun. 11, 2010.
 Dar-Ran “Filmore” Product Information, at least as early as Jun. 11, 2010.
 Krug “Sloan” Product Information, at least as early as Jun. 11, 2010.
 Lowenstein “Cubic” Product Information, at least as early as Jun. 11, 2010.
 Gunlocke “New Yorker” Product Information, at least as early as Jun. 11, 2010.
 Coalesse “Palermo” Product Information, at least as early as Jun. 11, 2010.
 Bernhardt “B1” Product Information, at least as early as Jun. 11, 2010.
 Turnstone “Campfire” Product Information, at least as early as Jun. 11, 2010.
 Modular/Raven—ERG International, [online] Dated Nov. 16, 2011.
 ERG International, Product information for “Rola”, at least as early as Mar. 5, 2013.
 Bredfford, Product information for “Motiv”, at least as early as Mar. 5, 2013.
 Arcadia, Product information for “Achella Modular”, at least as early as Mar. 5, 2013.
 Kimball Office Furniture, Product Information for “Villa”, at least as early as Mar. 5, 2013.

* cited by examiner

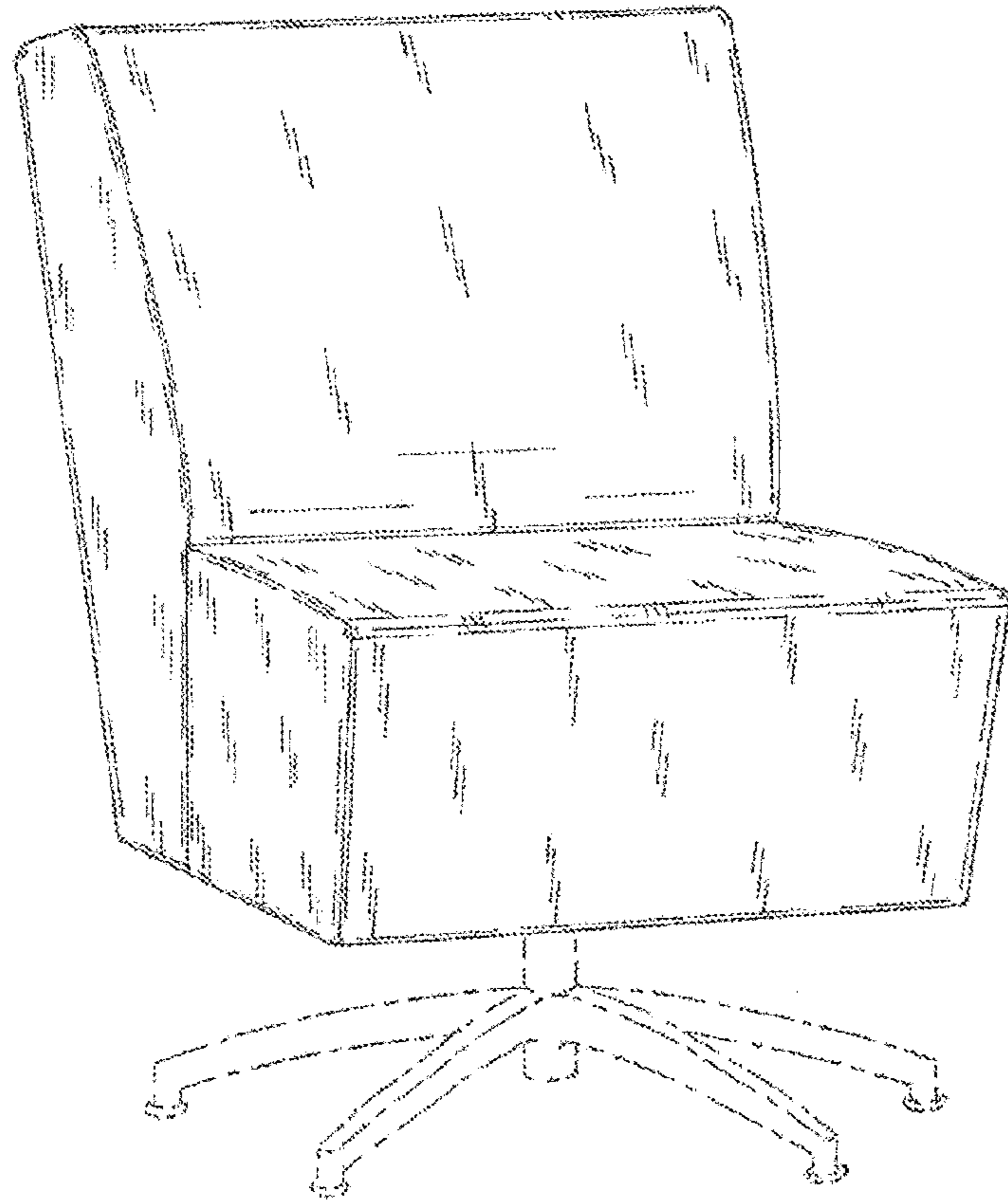


FIG. 1

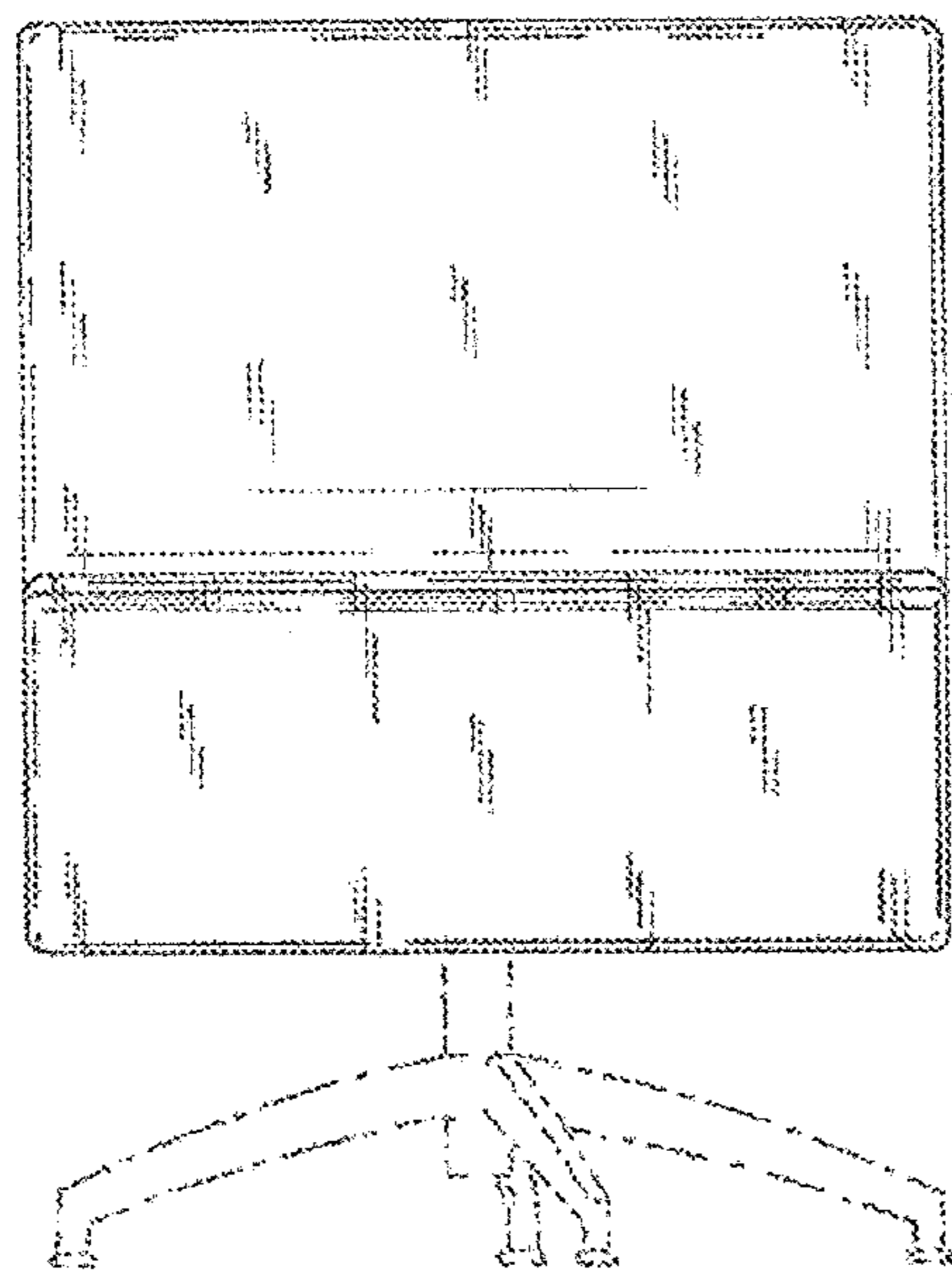


FIG. 2

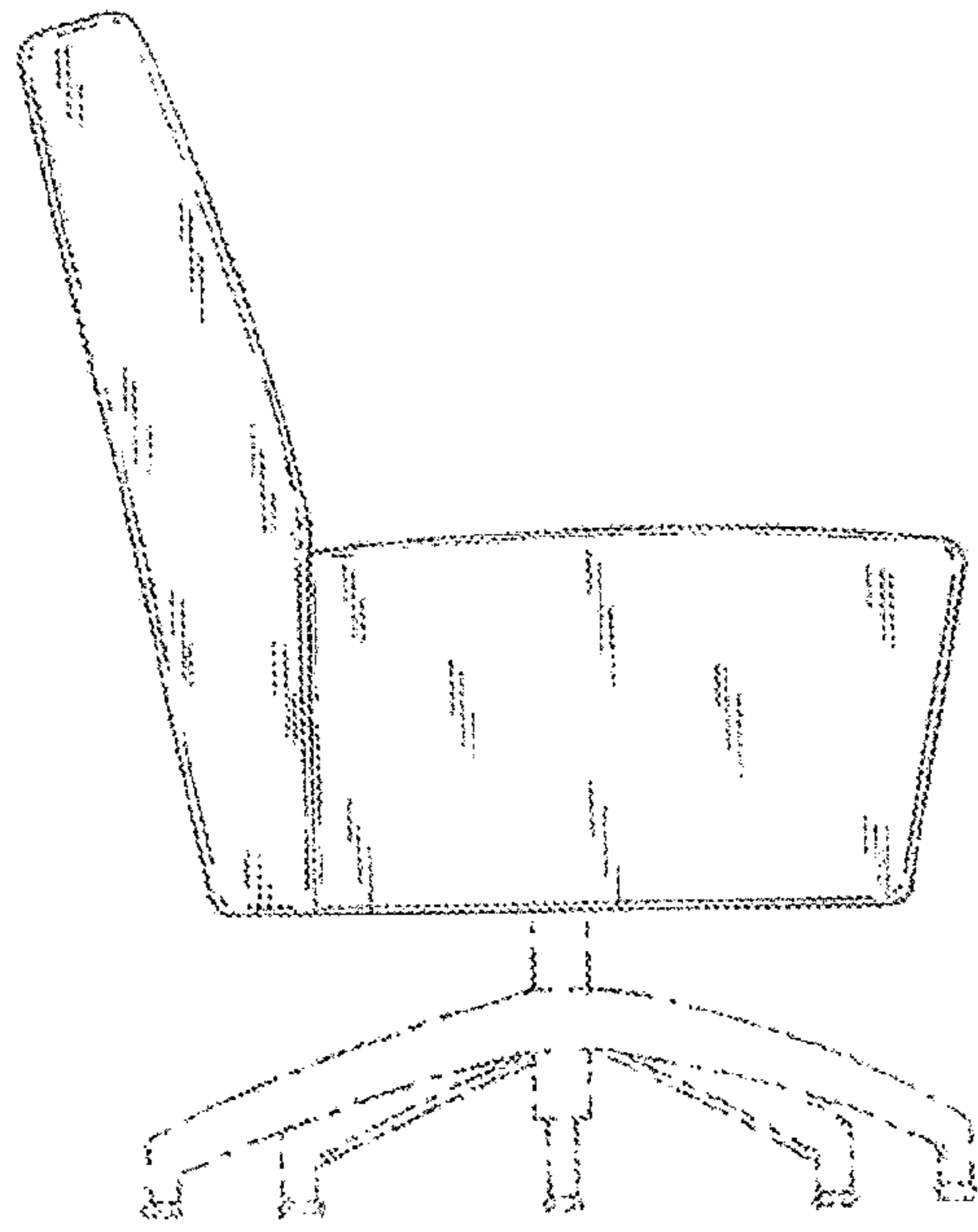


FIG. 3

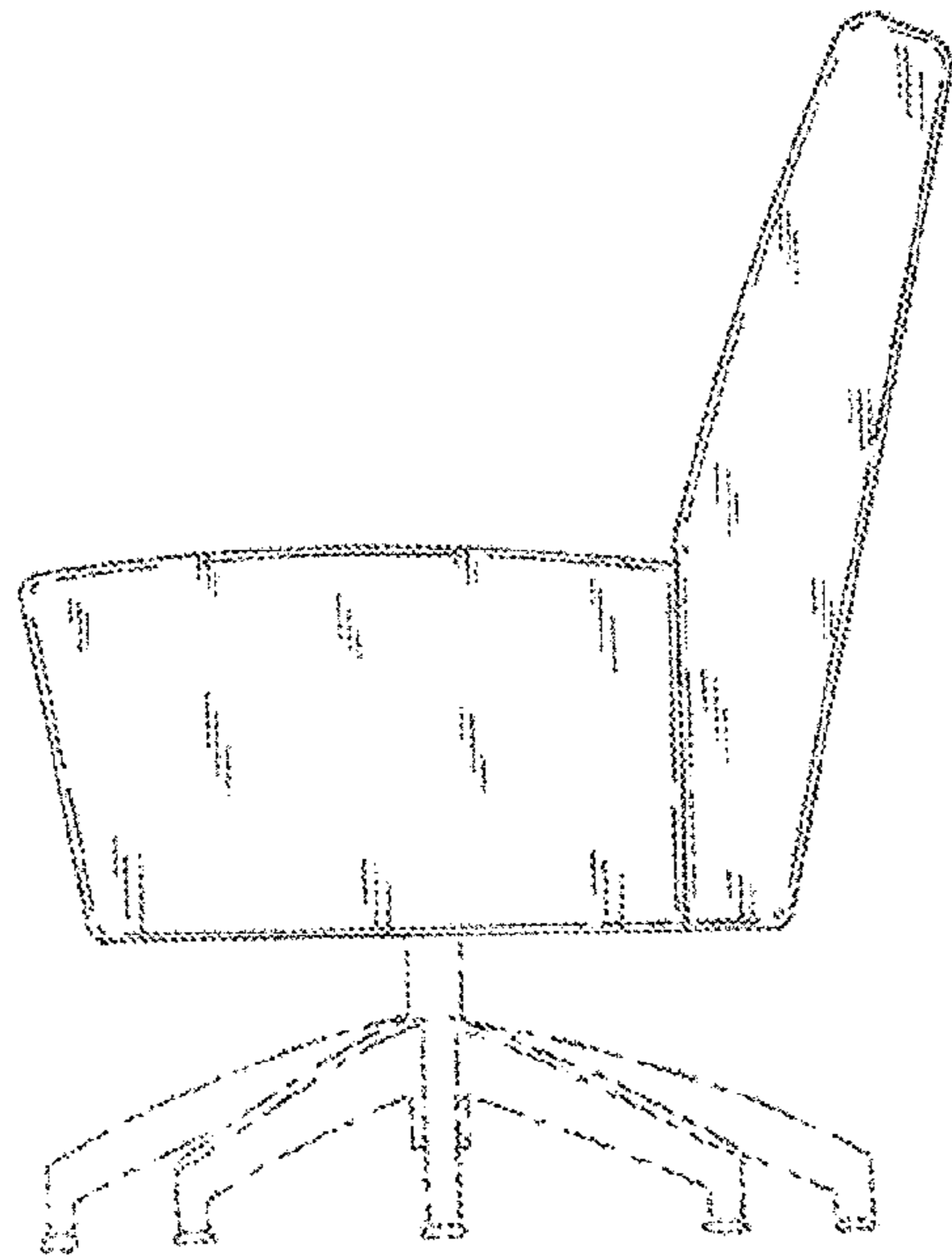


FIG. 4

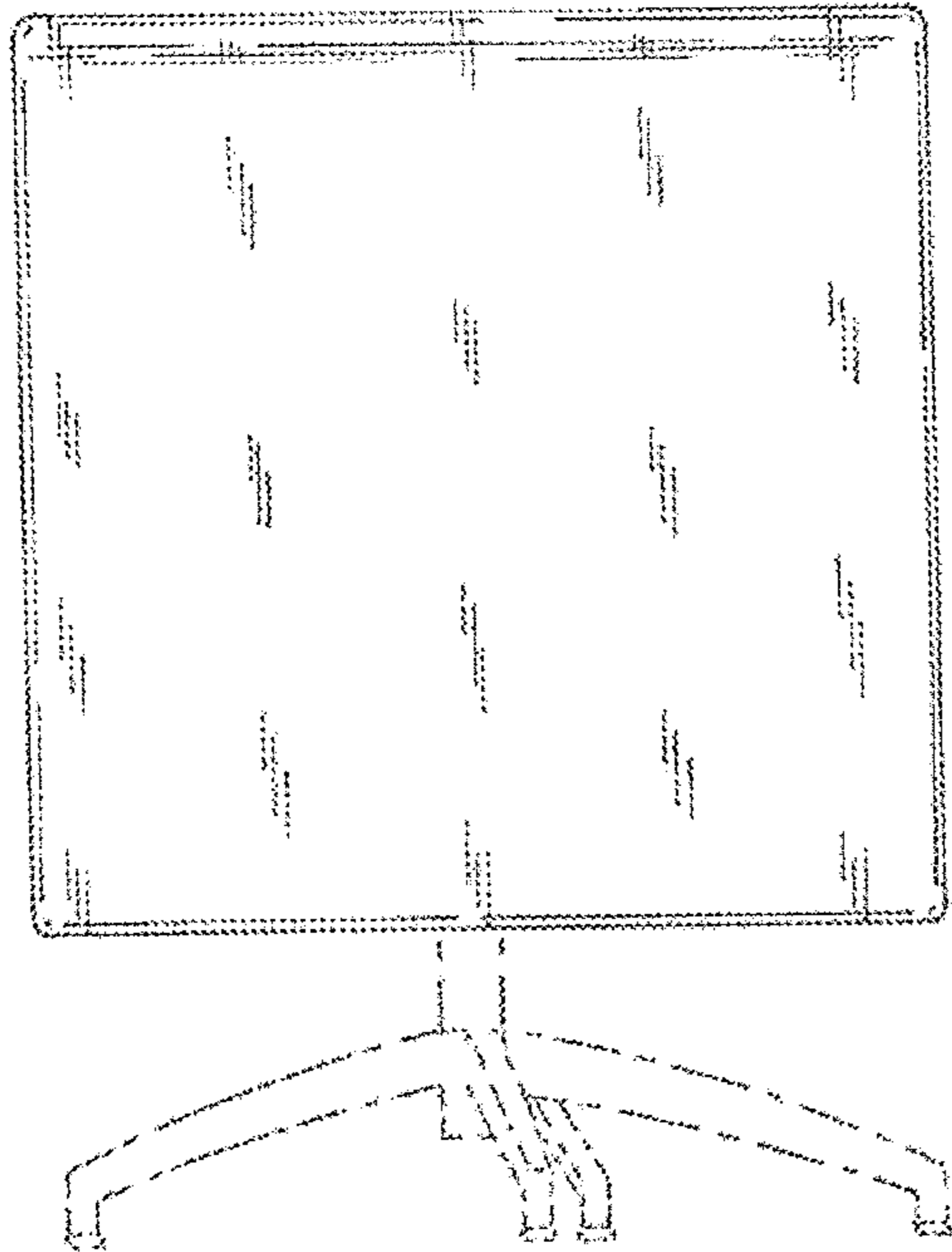


FIG. 5

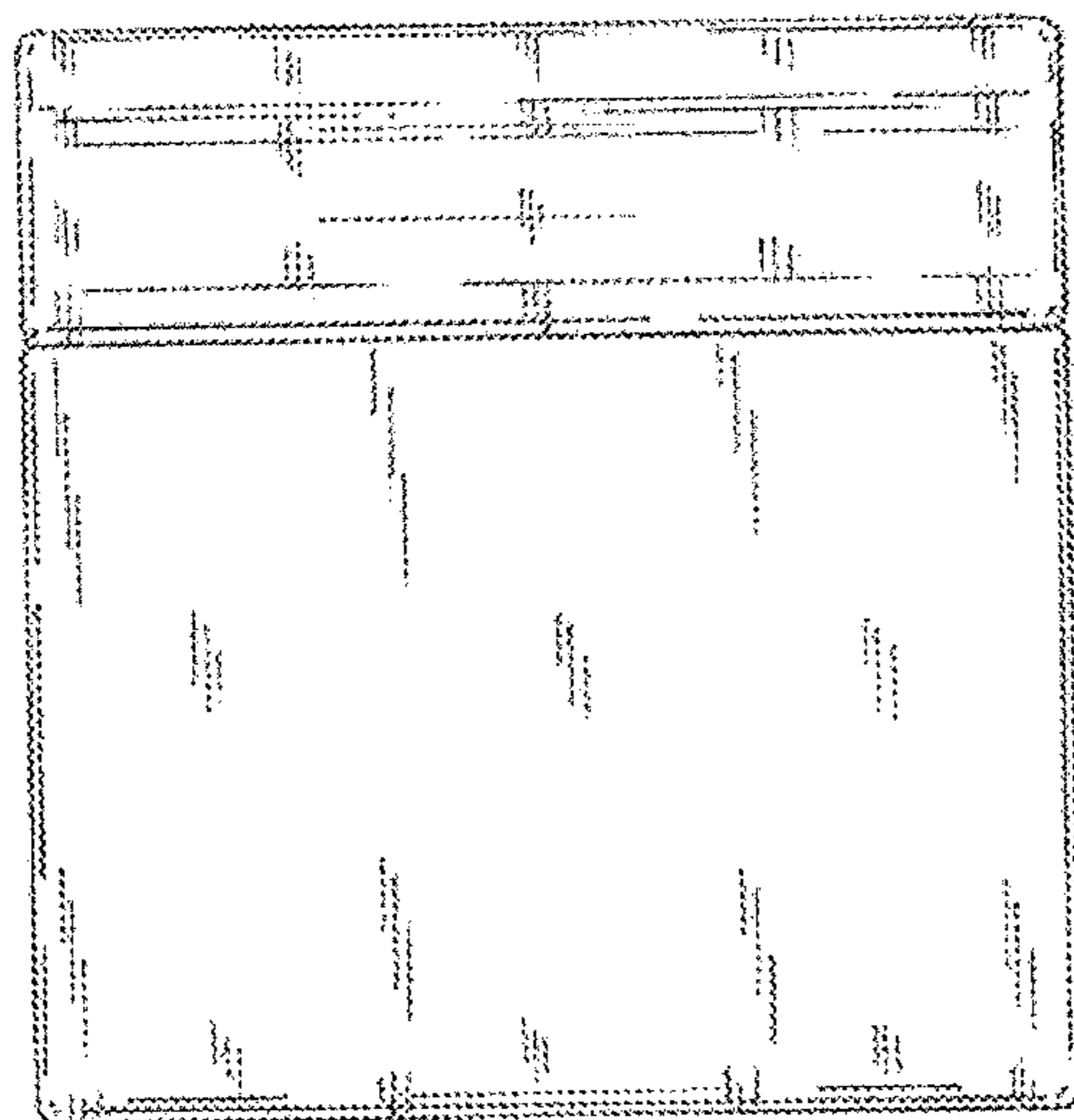


FIG. 6