



US00D770821S

(12) **United States Design Patent** (10) **Patent No.:** **US D770,821 S**  
**Rubel** (45) **Date of Patent:** **\*\* Nov. 8, 2016**

(54) **FOLDING CHAIR**  
(71) Applicant: **Michelle Rubel**, Encinitas, CA (US)  
(72) Inventor: **Michelle Rubel**, Encinitas, CA (US)  
(\*\*) Term: **15 Years**  
(21) Appl. No.: **29/546,491**  
(22) Filed: **Nov. 23, 2015**

**Related U.S. Application Data**

(62) Division of application No. 29/482,274, filed on Feb. 17, 2014, now Pat. No. Des. 743,709.

(51) **LOC (10) Cl.** ..... **06-01**

(52) **U.S. Cl.**  
USPC ..... **D6/716; D6/368**

(58) **Field of Classification Search**  
USPC ..... D6/334-336, 368, 374, 375, 376, 379,  
D6/380, 716, 716.1, 716.2, 716.4  
CPC ..... A47C 1/46; A47C 1/02; A47C 1/024;  
A47C 1/028; A47C 1/0265; A47C 4/28;  
A47C 4/283; A47C 4/22; A47C 4/24; A47C  
5/10  
See application file for complete search history.

(56) **References Cited**

**U.S. PATENT DOCUMENTS**

D67,674 S \* 6/1925 Rastetter ..... D6/368  
D77,663 S 2/1929 Aldrich et al.  
D239,746 S 5/1976 Narduzzi  
D248,344 S 7/1978 Uchida

D250,442 S \* 12/1978 Pesiri ..... D6/368  
D252,658 S \* 8/1979 Kressin ..... D6/368  
4,514,009 A 4/1985 Vanderminden et al.  
D346,280 S \* 4/1994 Metter ..... D6/335  
D353,496 S 12/1994 Dones et al.  
D360,082 S 7/1995 Tseng  
D388,968 S \* 1/1998 de Visser ..... D6/368  
D417,561 S 12/1999 Liu  
D461,326 S 8/2002 Bouroullec et al.  
6,764,132 B1 7/2004 Gaertner  
D531,831 S 11/2006 Andersson  
D543,738 S \* 6/2007 Quicoy ..... D6/716  
D547,960 S \* 8/2007 Nelson, Sr. .... D6/368  
D571,113 S 6/2008 Cohen  
D665,184 S 8/2012 Pederson  
D666,017 S \* 8/2012 Freitas Mayer ..... D6/368  
D672,570 S \* 12/2012 Rappaport ..... D6/368  
D743,709 S \* 11/2015 Rubel ..... D6/368

\* cited by examiner

*Primary Examiner* — Mimoso De

(74) *Attorney, Agent, or Firm* — Fish & Tsang LLP

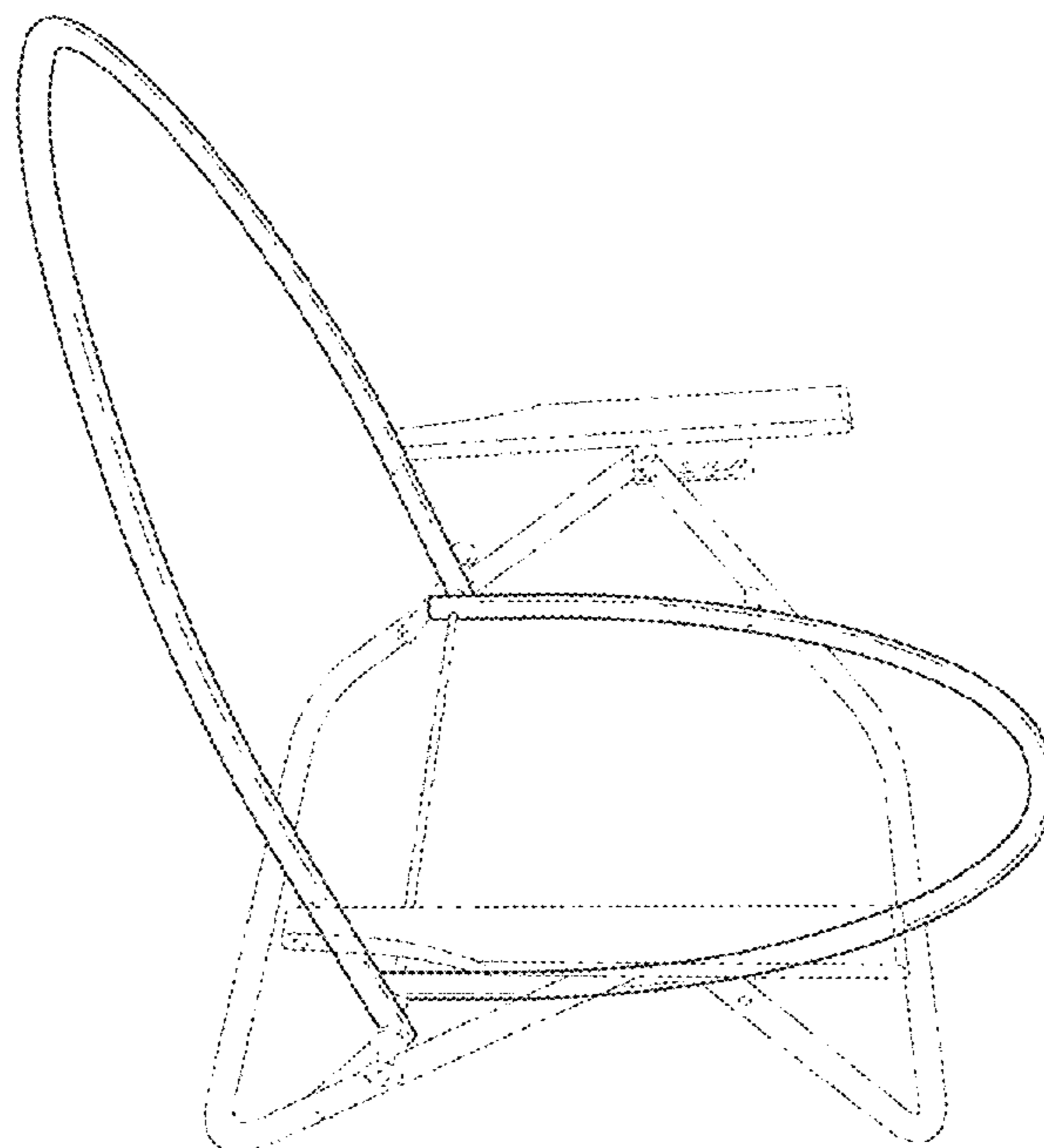
(57) **CLAIM**

The ornamental design for a folding chair, as substantially shown and described.

**DESCRIPTION**

FIG. 1 is a right side perspective view of a folding chair.  
FIG. 2 is a front view thereof.  
FIG. 3 is a rear view thereof.  
FIG. 4 is a left side view thereof.  
FIG. 5 is a top view thereof; and,  
FIG. 6 is a bottom view thereof.

**1 Claim, 4 Drawing Sheets**



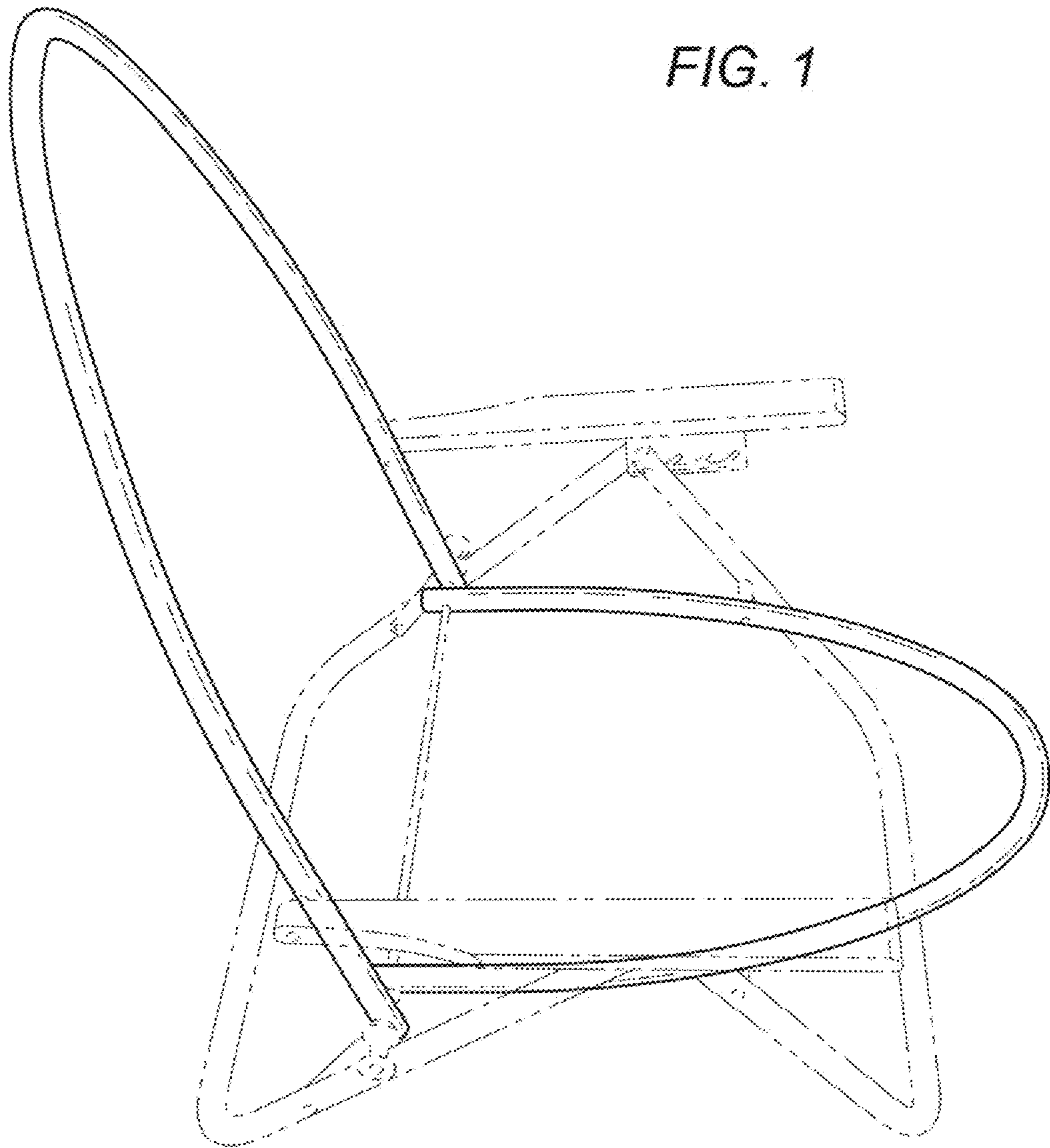


FIG. 1

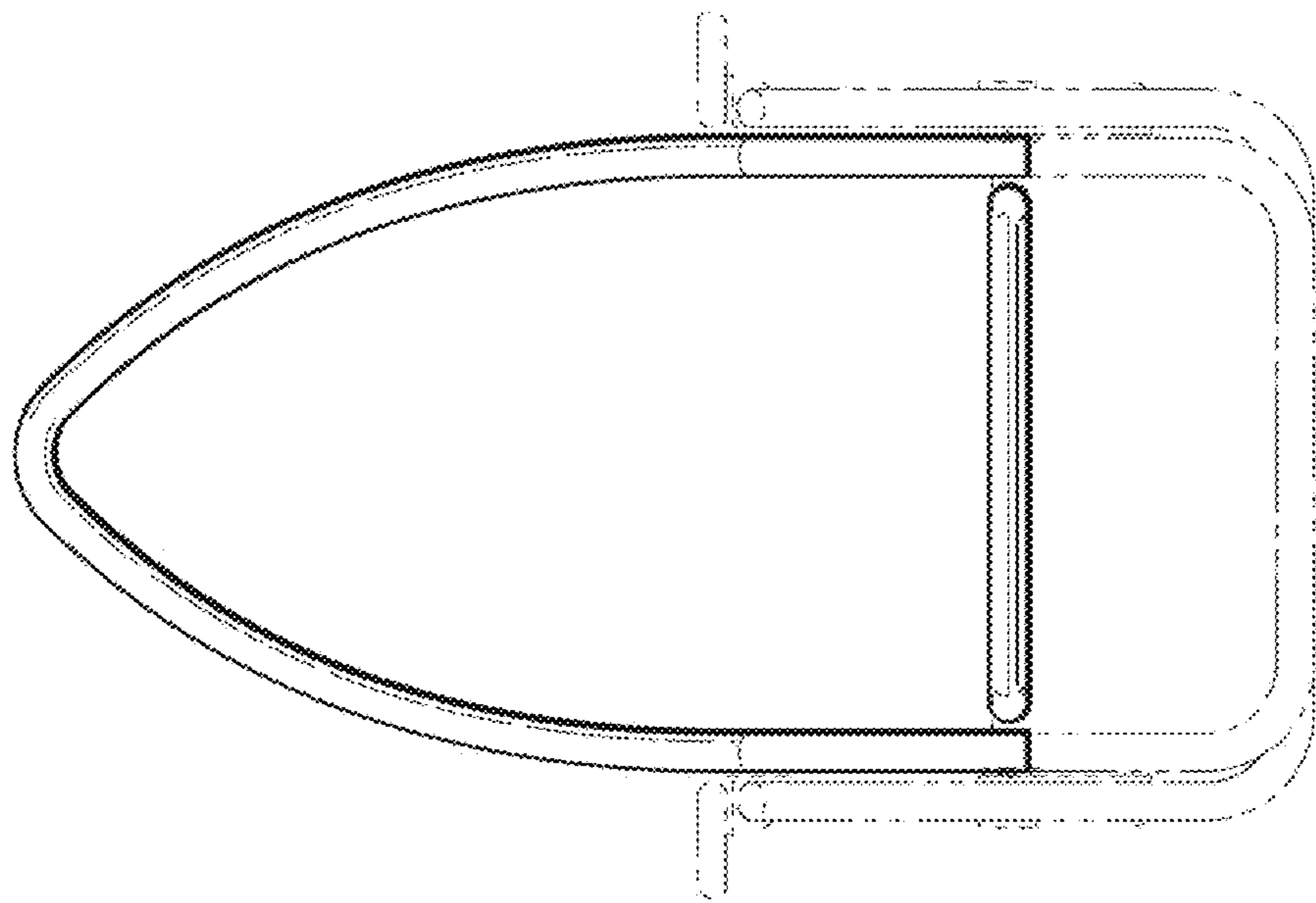


FIG. 2

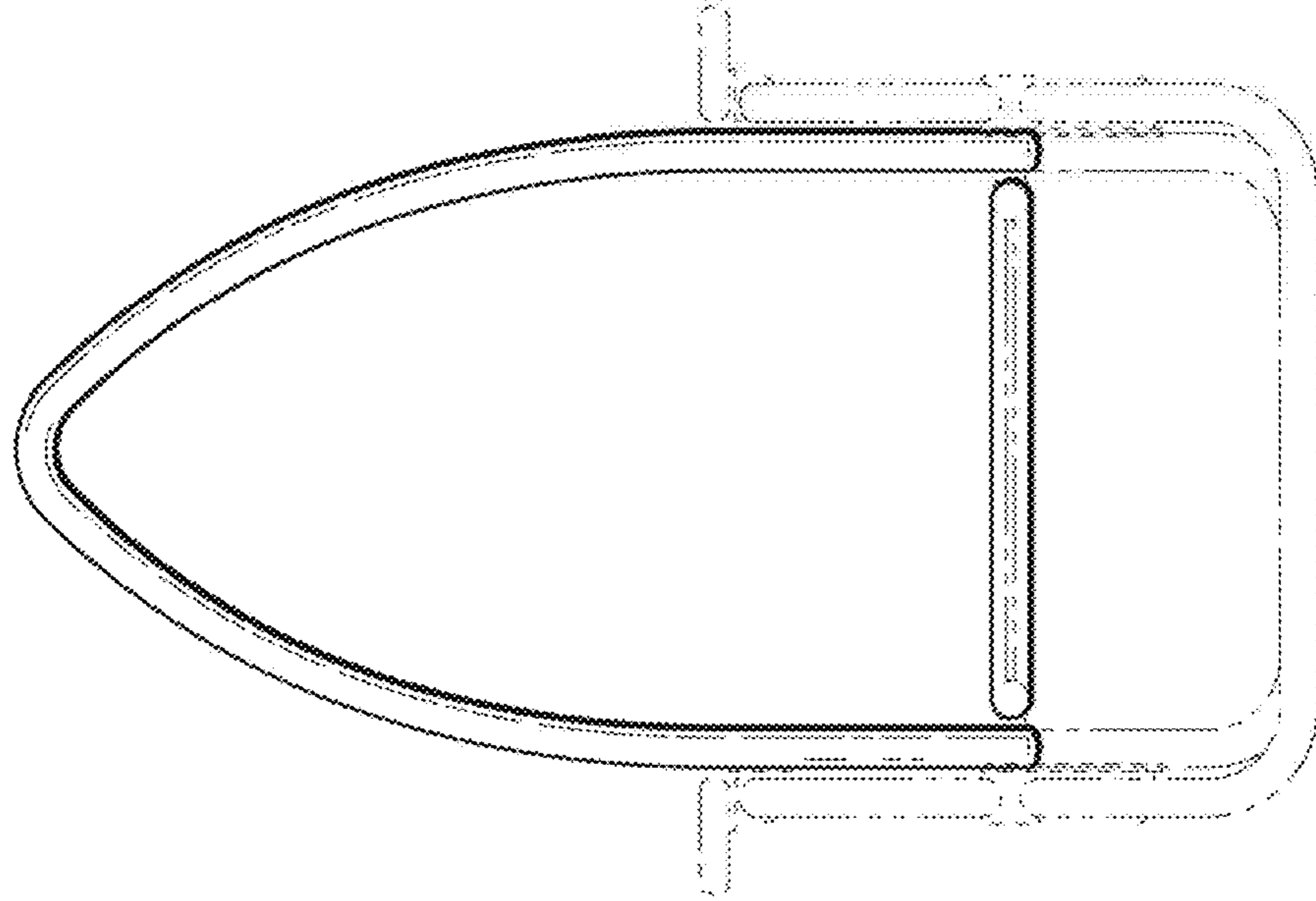


FIG. 3

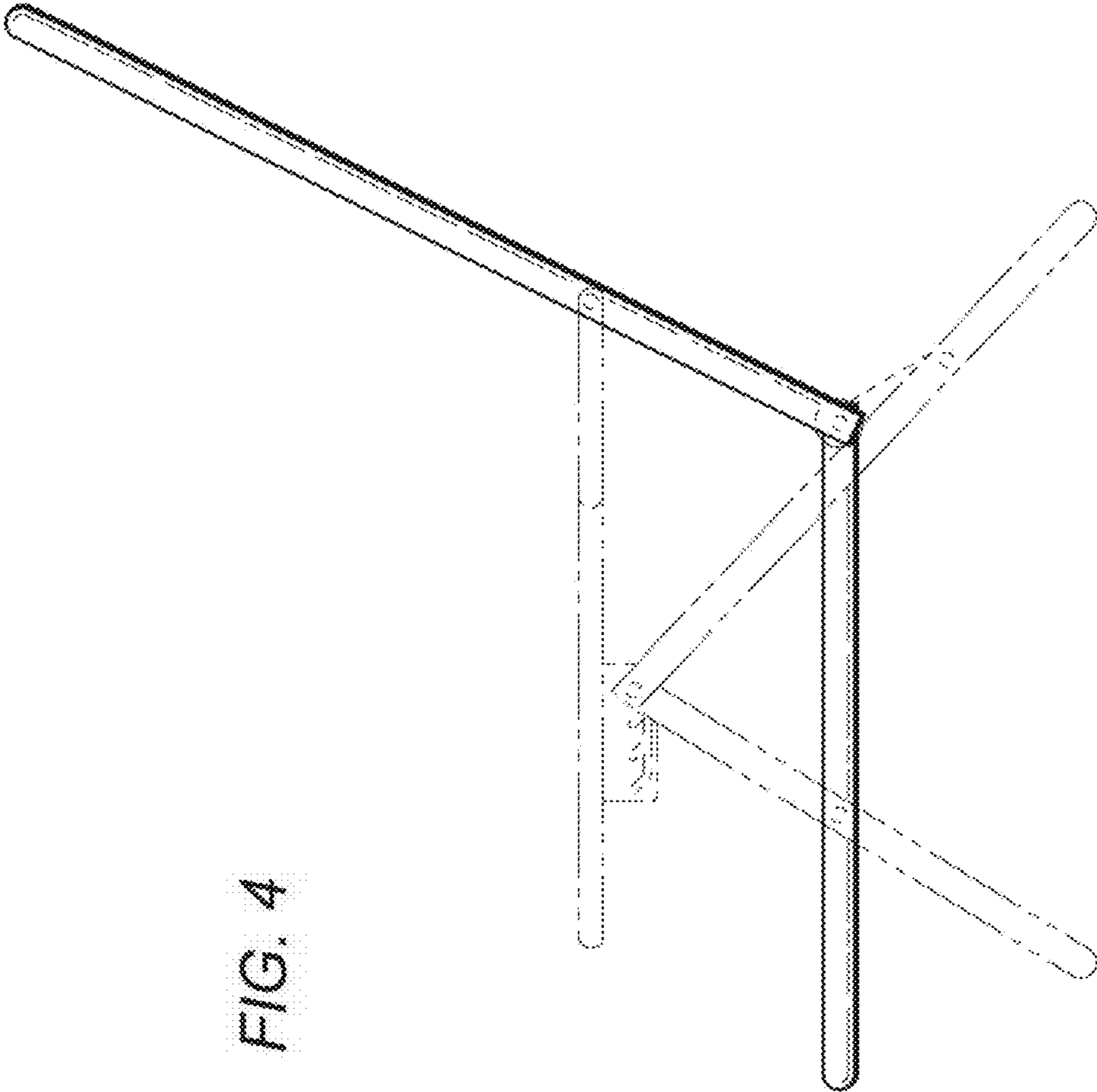


FIG. 4

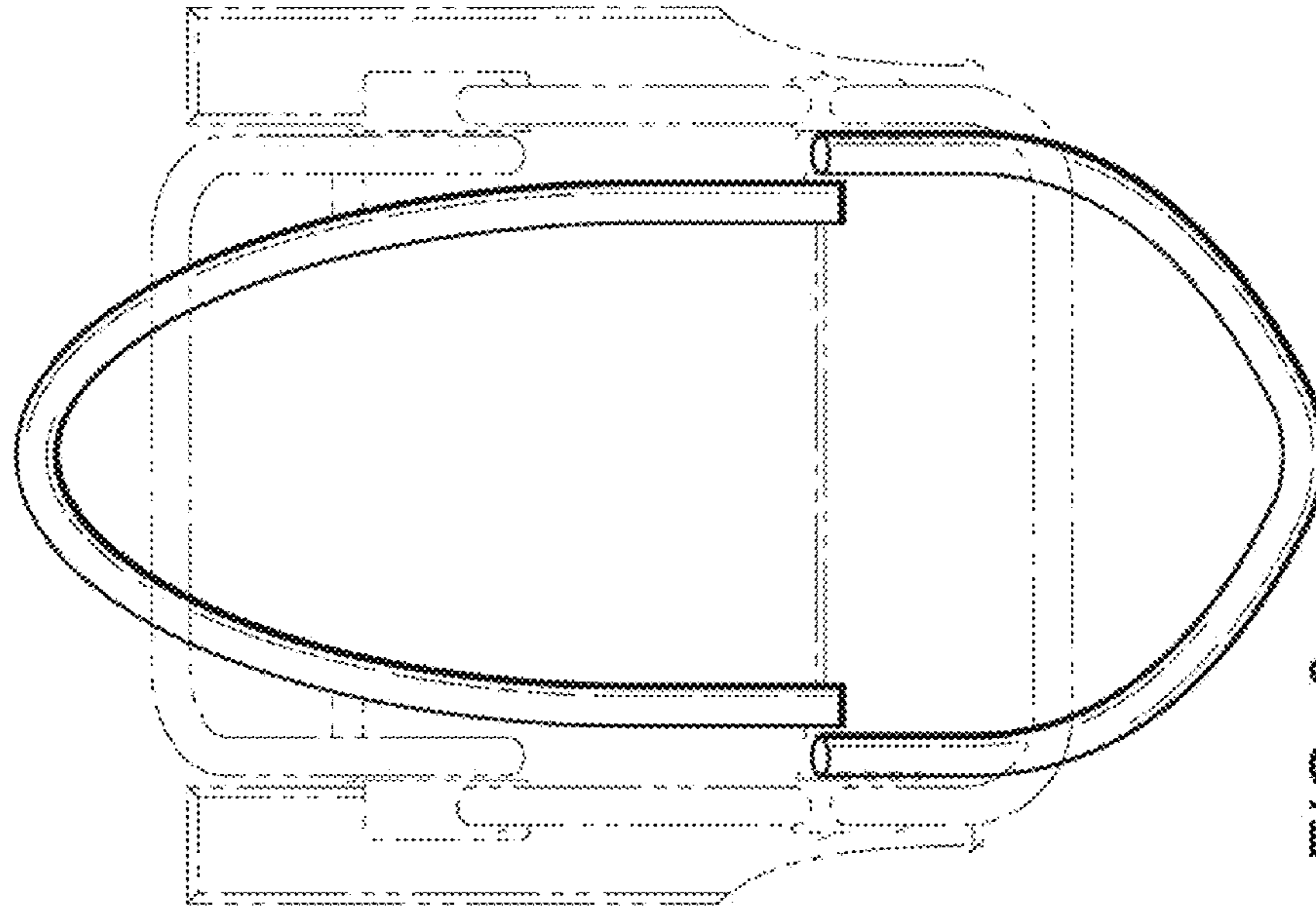


FIG. 6

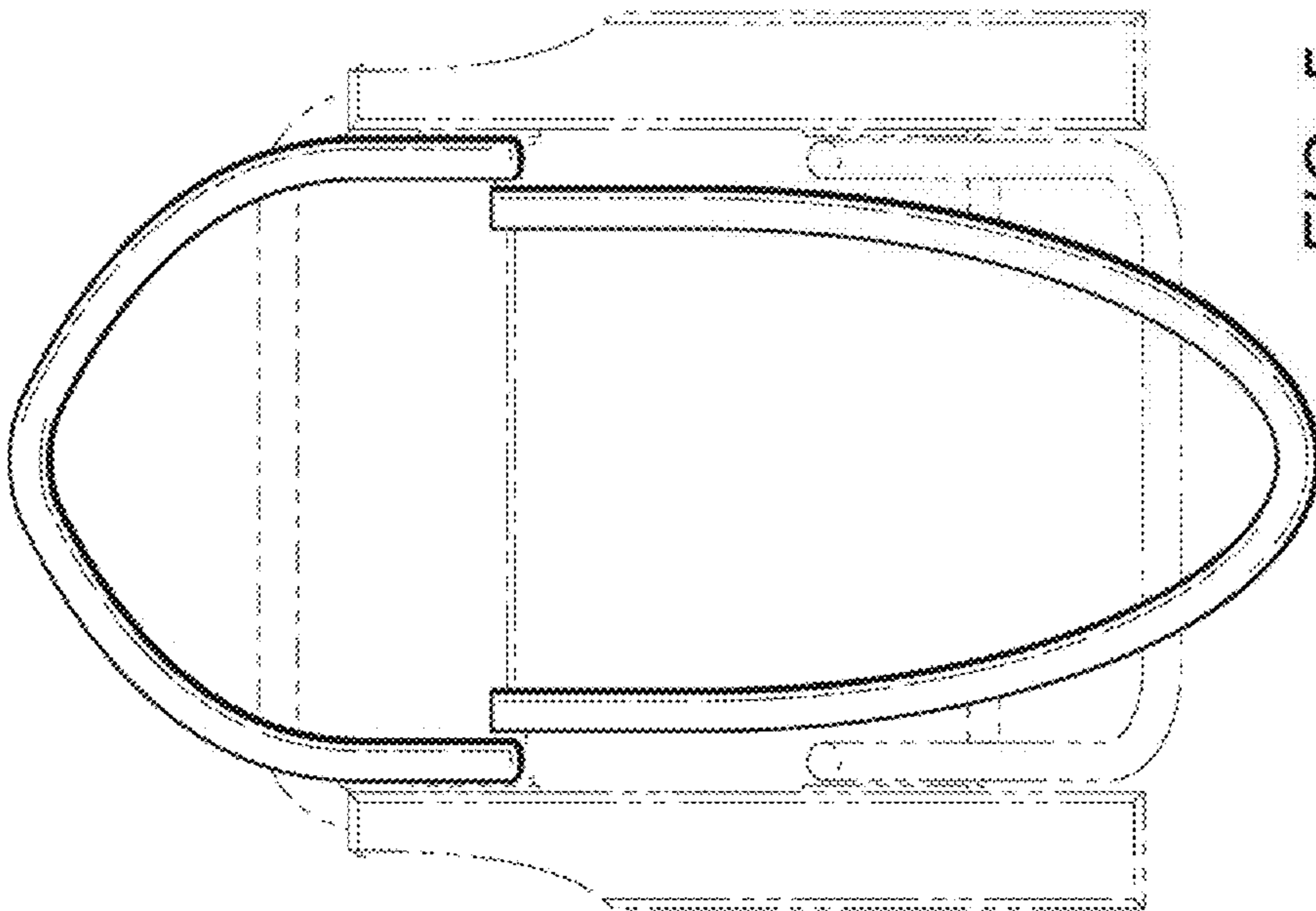


FIG. 5