



US00D770820S

(12) **United States Design Patent**
Mezzera

(10) **Patent No.:** **US D770,820 S**
(45) **Date of Patent:** **** Nov. 8, 2016**

(54) **BACK AND SEAT FOR A CHAIR**
(71) Applicant: **Marcelo Mezzera**, Rancho Santa Margarita, CA (US)
(72) Inventor: **Marcelo Mezzera**, Rancho Santa Margarita, CA (US)

D538,072 S * 3/2007 McDiarmid D6/366
D543,399 S * 5/2007 Johnson D6/716
D657,580 S * 4/2012 Zhou D6/366
D706,048 S * 6/2014 Wang D6/366

* cited by examiner

(73) Assignee: **LF Centennial Limited** (VG)
(**) Term: **14 Years**

Primary Examiner — Mimoso De
(74) *Attorney, Agent, or Firm* — Morland C. Fischer

(21) Appl. No.: **29/518,014**

(57) **CLAIM**
The ornamental design for a back and seat for a chair, as shown and described.

(22) Filed: **Feb. 19, 2015**

DESCRIPTION

(51) **LOC (10) Cl.** **06-01**

FIG. 1 is a perspective view showing the left side, top and front of a back and seat for a chair which forms my new design, the long broken lines in this and other figures being for environmental purposes only and forming no part of my design;

(52) **U.S. Cl.**
USPC **D6/716; D6/366**

FIG. 2 is a perspective view showing the right side, top and rear thereof;

(58) **Field of Classification Search**
USPC D6/334-336, 364, 365, 366, 367, 374, D6/716, 716.1, 716.4

FIG. 3 is a front elevational view;

CPC A47C 7/38; A47C 7/022; A47C 7/18; A47C 7/40; A47C 4/028

FIG. 4 is a left side elevational view thereof;

See application file for complete search history.

FIG. 5 is a rear elevational view thereof;

(56) **References Cited**

FIG. 6 is a right side elevational view thereof;

U.S. PATENT DOCUMENTS

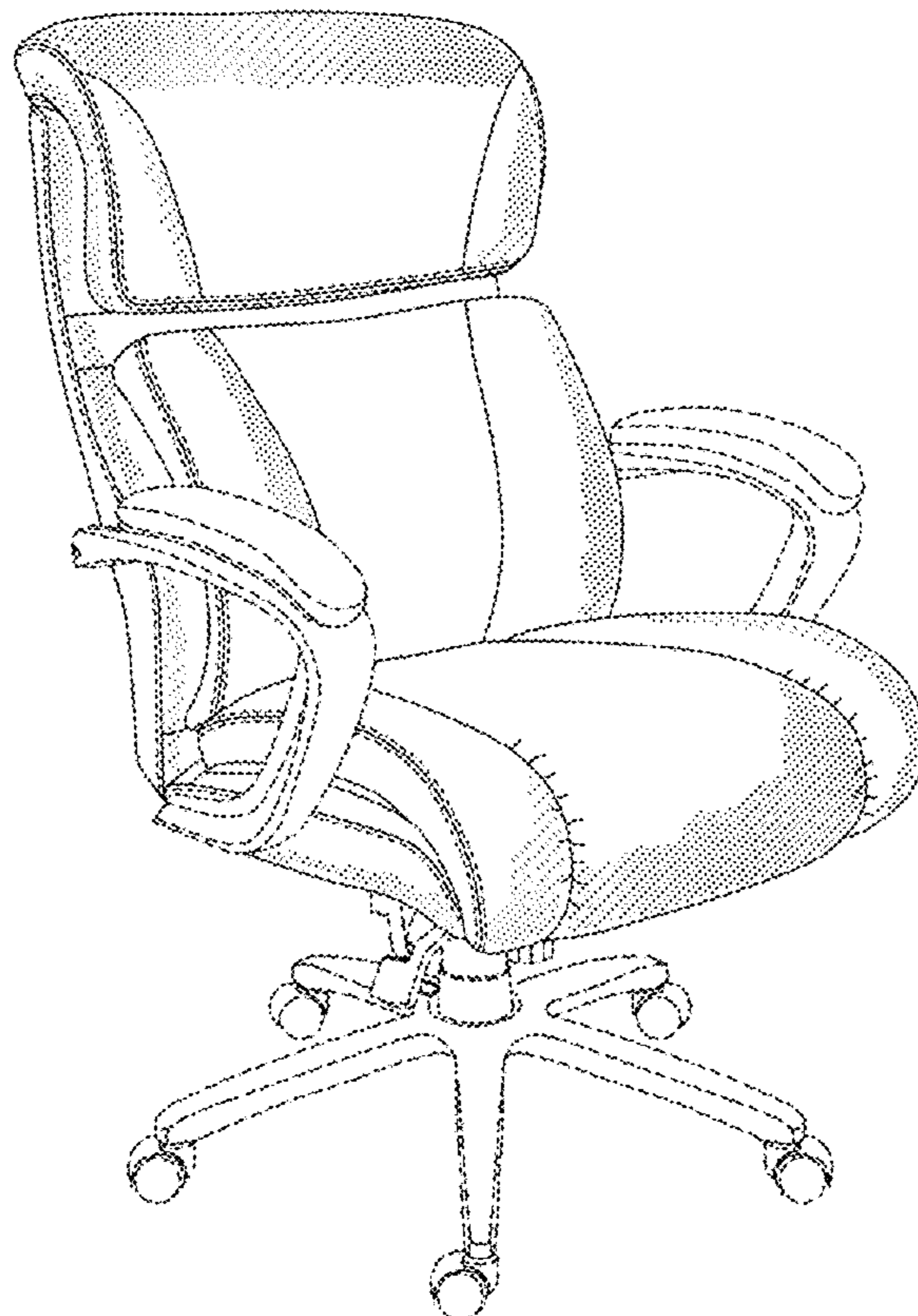
FIG. 7 is a top plan view thereof; and,

D531,433 S * 11/2006 Johnson D6/366
D532,628 S * 11/2006 Egger D6/716

FIG. 8 is a bottom plan view thereof.

The short broken lines in FIGS. 1-8 are understood to represent stitching.

1 Claim, 4 Drawing Sheets



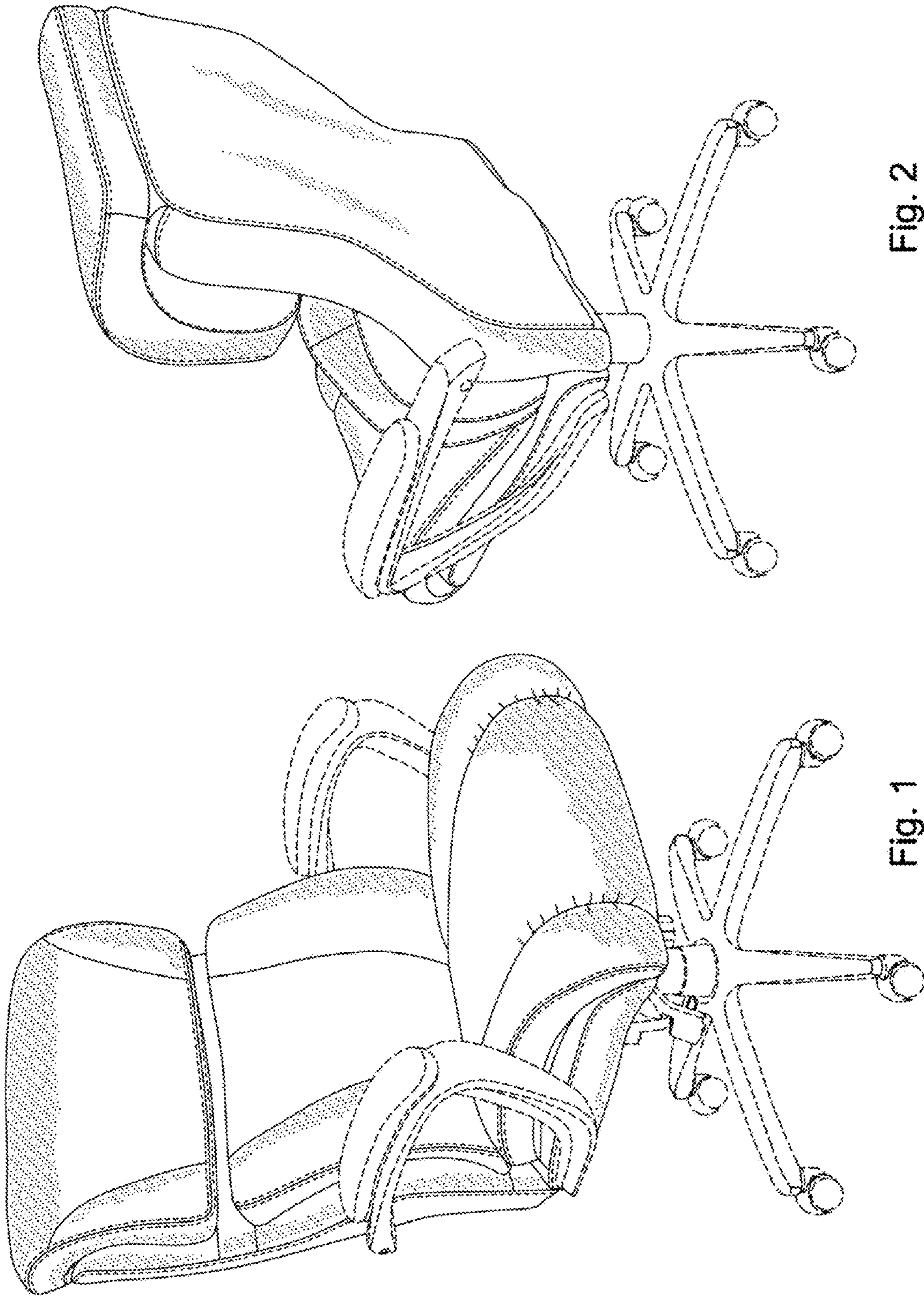


Fig. 2

Fig. 1

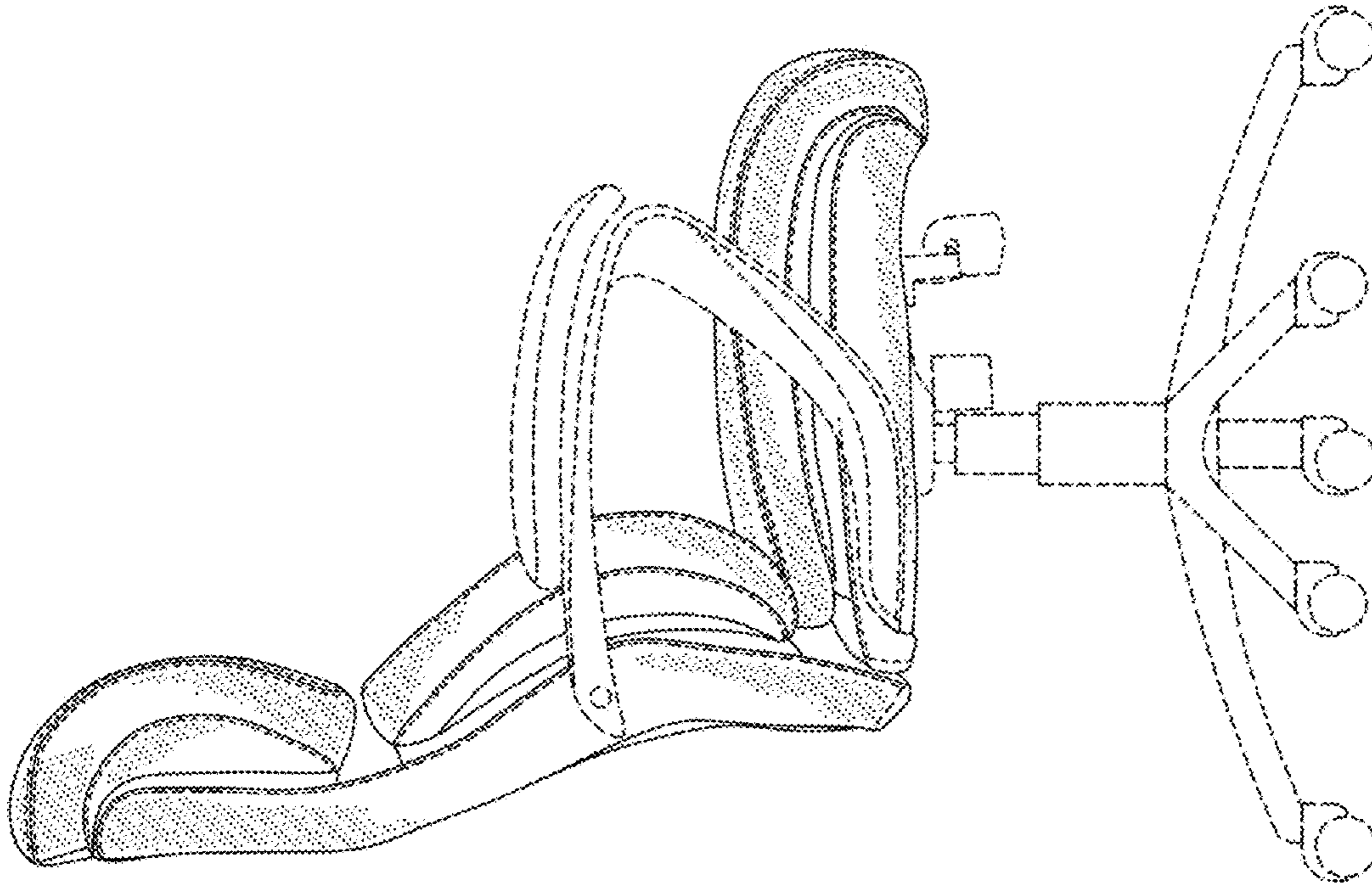


Fig. 4

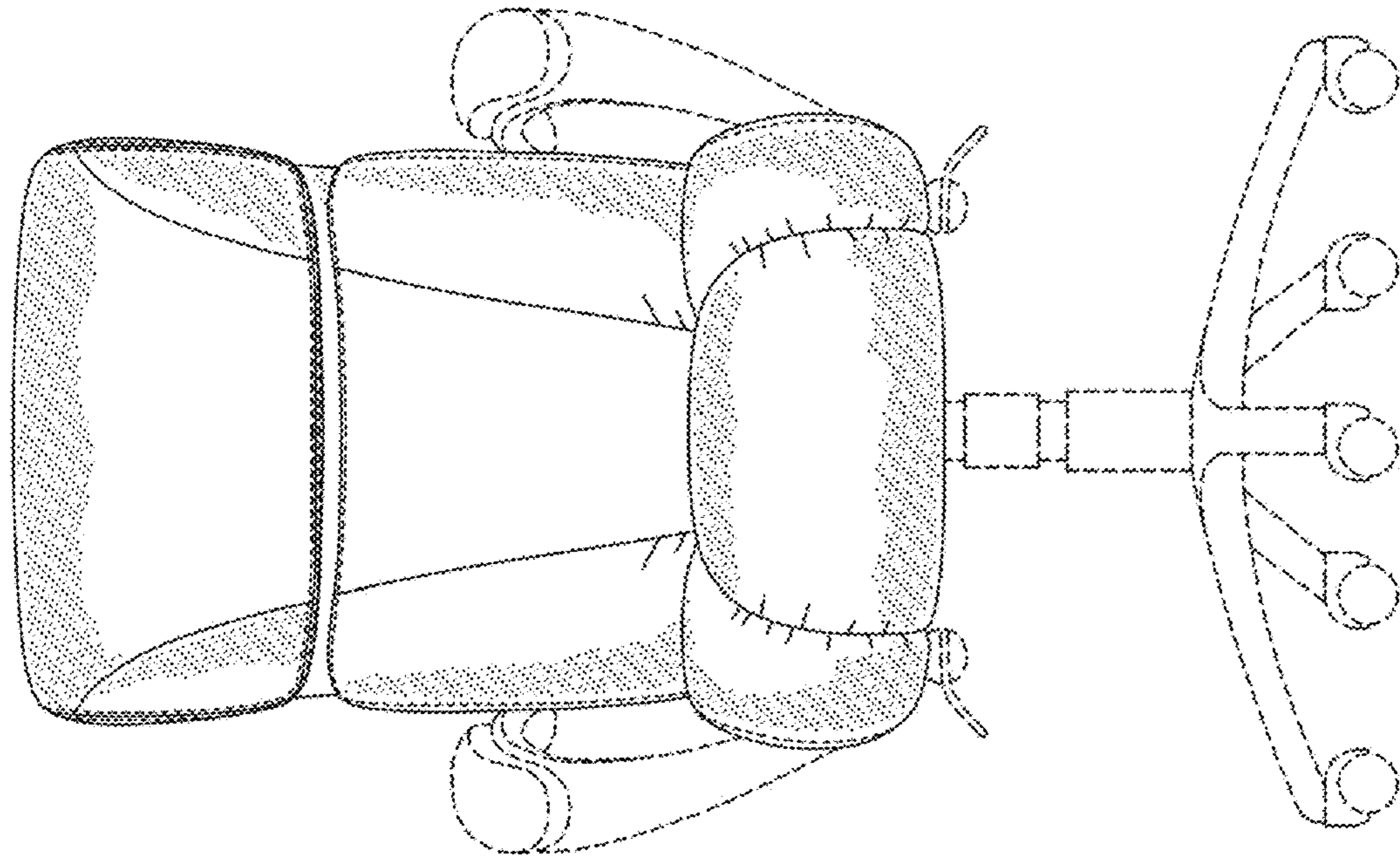


Fig. 3

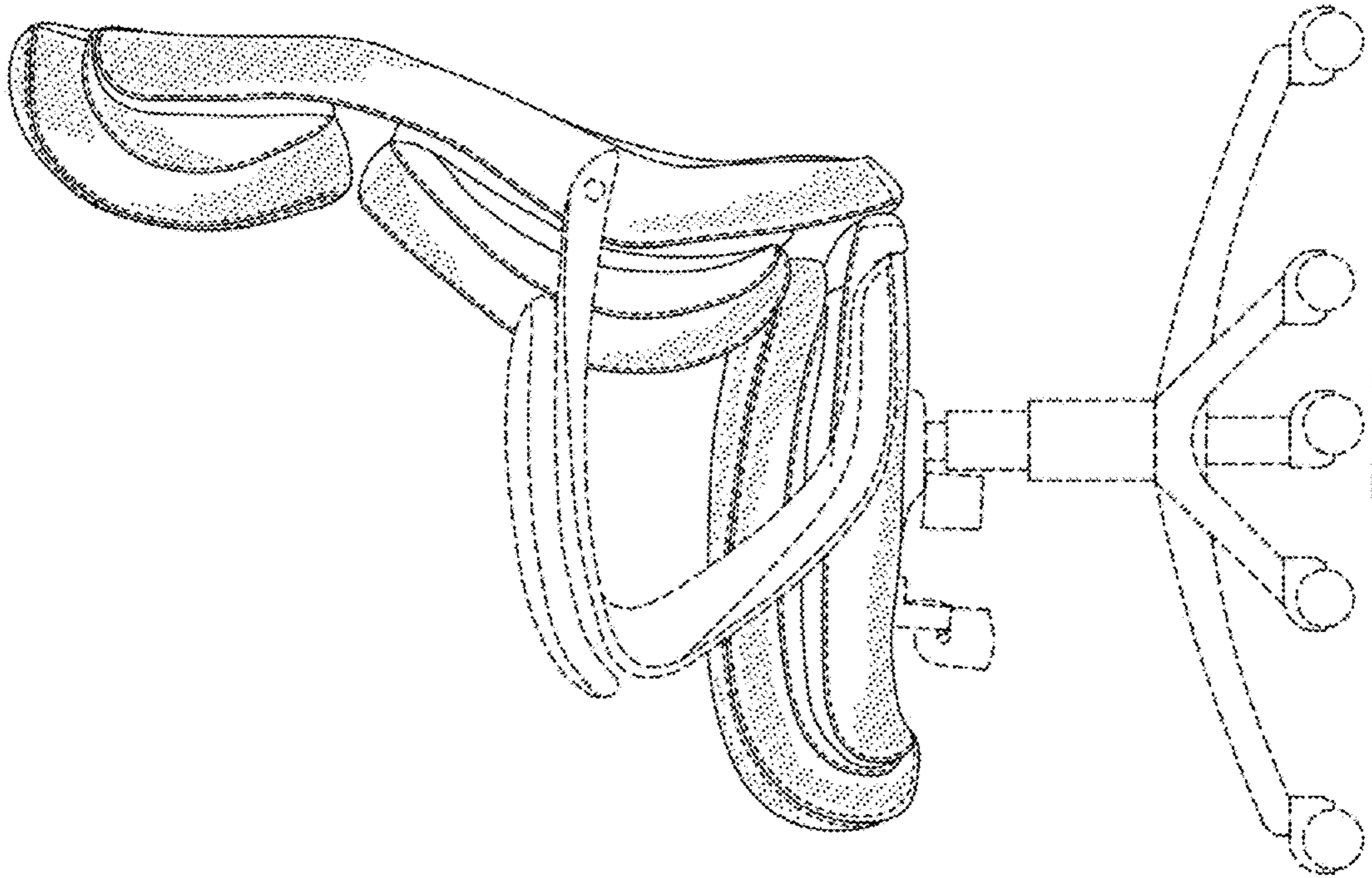


Fig. 6

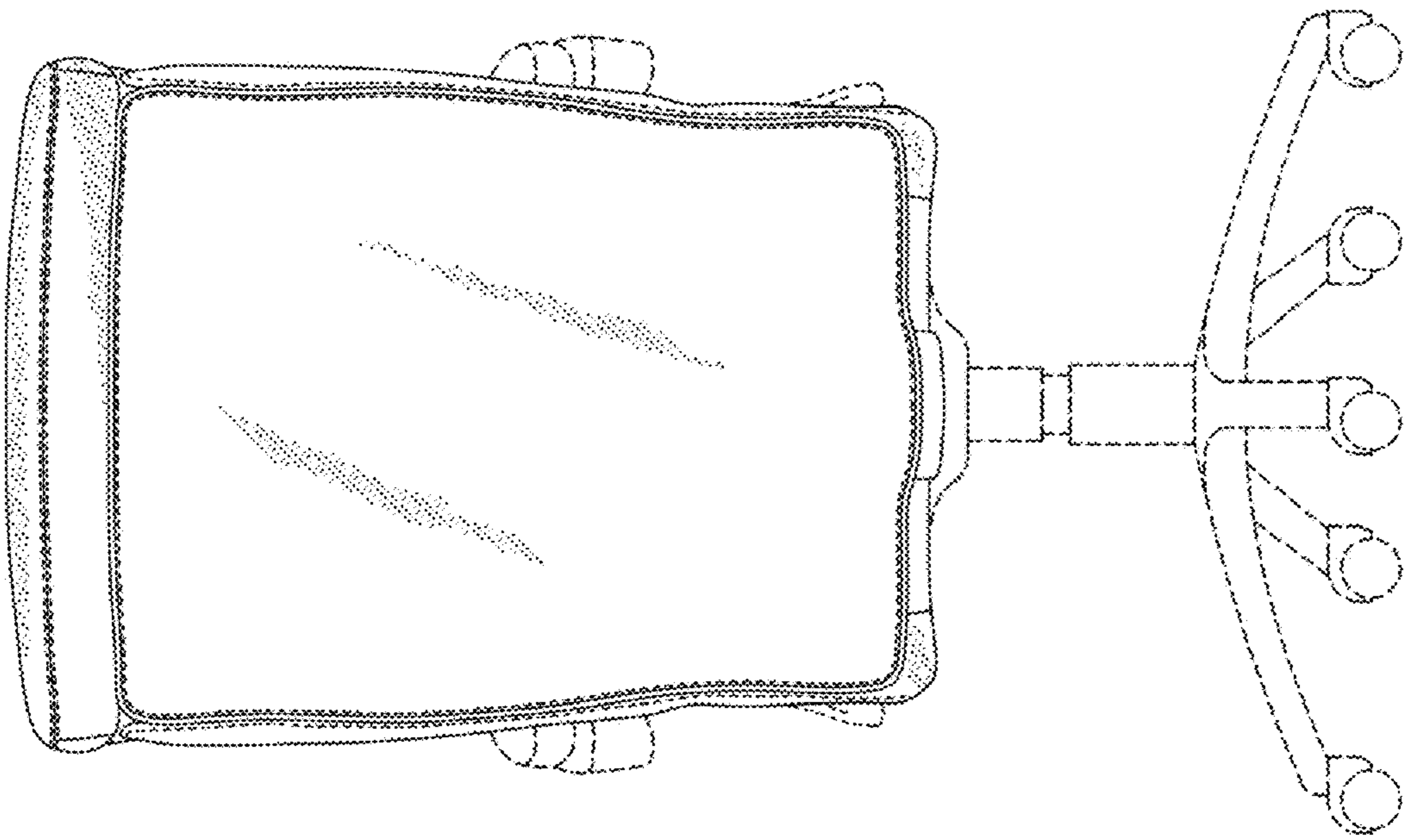


Fig. 5

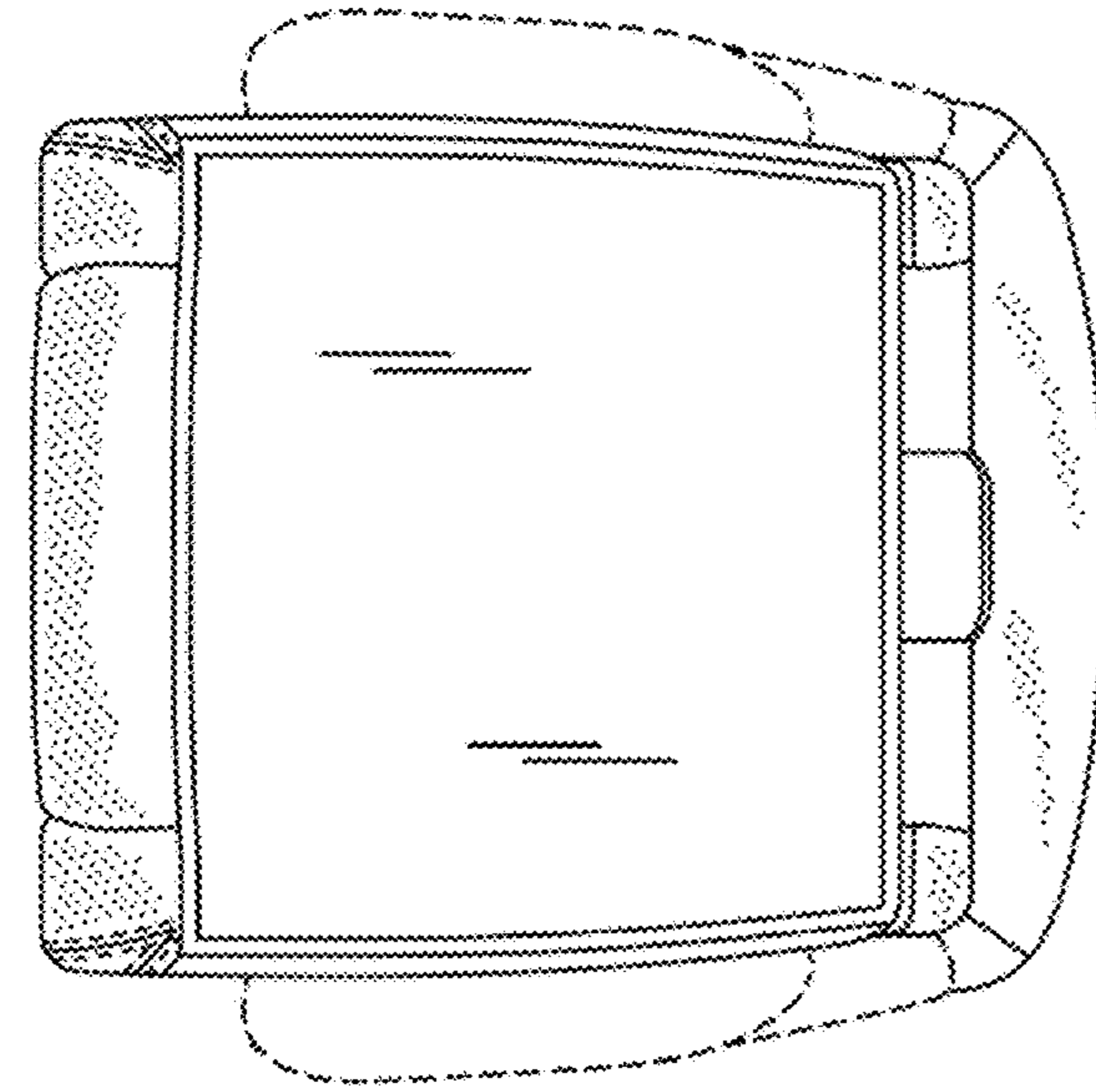


Fig. 8

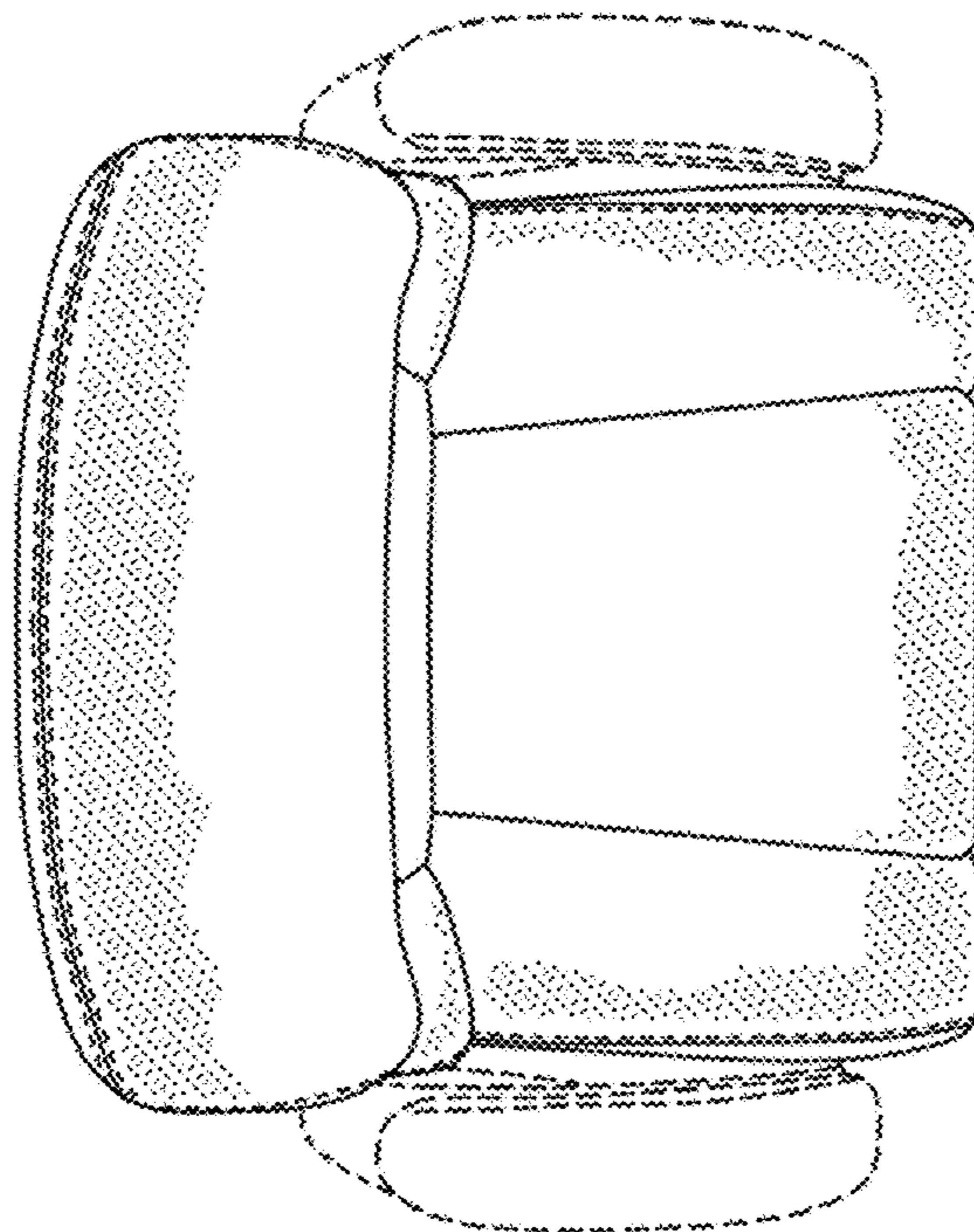


Fig. 7