



US00D770819S

(12) **United States Design Patent** (10) **Patent No.:** **US D770,819 S**
Anderson (45) **Date of Patent:** **** Nov. 8, 2016**

(54) **Z CROSS SECTION HORIZONTAL BEAM**
(71) Applicant: **TAIWAN SHIN YEH ENTERPRISE CO., LTD.,** Chia-Yi (TW)
(72) Inventor: **Kyle Anderson,** Elgin, IL (US)
(73) Assignee: **Taiwan Shin Yeh Enterprise Co., Ltd.,** Chia-Yi (TW)

(**) Term: **14 Years**

(21) Appl. No.: **29/518,451**

(22) Filed: **Feb. 24, 2015**

(51) **LOC (10) Cl.** **06-04**

(52) **U.S. Cl.**
USPC **D6/705**

(58) **Field of Classification Search**
USPC 403/402; 211/88.01, 90.01, 187, 133.4;
D8/325; D6/572-574, 672, 705-706,
D6/688.15, 677.2, 676.2, 718.25
CPC A47B 57/34; A47B 96/02; A47B 96/021;
A47B 96/16; A47B 96/028; A47B 2095/046
See application file for complete search history.

(56) **References Cited**

U.S. PATENT DOCUMENTS

D398,835 S * 9/1998 Coll D8/354
6,930,886 B2 * 8/2005 Velez H05K 7/1489
211/187
D521,852 S * 5/2006 Hall D8/354
D554,912 S * 11/2007 Scicluna D6/672
D556,976 S * 12/2007 Liautaud D17/21
D567,635 S * 4/2008 Nankervis D8/354
D568,648 S * 5/2008 Roussel D6/705.1
D569,143 S * 5/2008 Liss D6/705
D571,133 S * 6/2008 Liss D6/705
D571,589 S * 6/2008 Liss D6/705
D572,053 S * 7/2008 Liss D6/712
D572,054 S * 7/2008 Liss D6/712
D585,680 S * 2/2009 Liss D6/705
D585,681 S * 2/2009 Liss D6/705
D619,879 S * 7/2010 McCarthy D8/354
D735,555 S * 8/2015 Tajdus D8/354

D741,689 S * 10/2015 Metzler D8/349
D752,954 S * 4/2016 Lax D8/354
2014/0270979 A1 * 9/2014 Cusson E02D 5/04
405/229
2016/0007739 A1 * 1/2016 Shinozaki A47B 57/545
211/187
2016/0130797 A1 * 5/2016 Bruce E04B 7/18
52/698

* cited by examiner

Primary Examiner — Rosemary K Tarcza

Assistant Examiner — James Thorn, Sr.

(74) *Attorney, Agent, or Firm* — Dinsmore & Shohl LLP

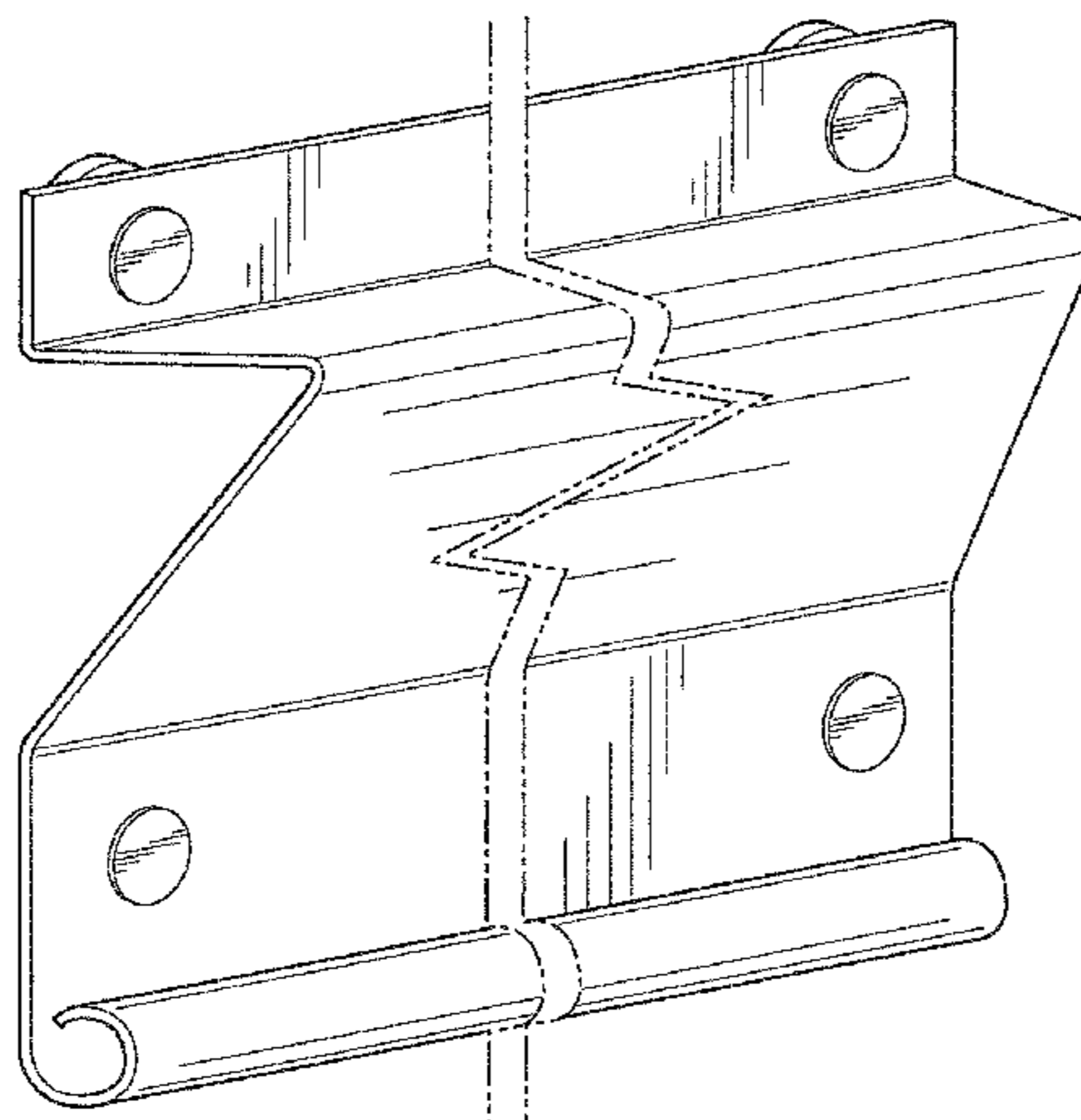
(57) **CLAIM**

The ornamental design for a z cross section horizontal beam, as shown and described.

DESCRIPTION

FIG. 1 is a front perspective view of a z cross section horizontal beam showing the claimed design;
FIG. 2 is a rear perspective view of a z cross section horizontal beam showing the claimed design;
FIG. 3 is rear elevation view of a z cross section horizontal beam showing the claimed design;
FIG. 4 is front elevation view of a z cross section horizontal beam showing the claimed design;
FIG. 5 is left side elevation view of a z cross section horizontal beam showing the claimed design;
FIG. 6 is a right side elevation view of a z cross section horizontal beam showing the claimed design;
FIG. 7 is a top plan view of a z cross section horizontal beam showing the claimed design; and,
FIG. 8 is a bottom plan view of a z cross section horizontal beam showing the claimed design.
The dot-dot-dash broken line define the bounds of the claimed design and form no part thereof.
The z cross section horizontal beam is shown with a symbolic break in its length. The appearance of any portion of the article between the break lines forms no part of the claimed design.

1 Claim, 3 Drawing Sheets



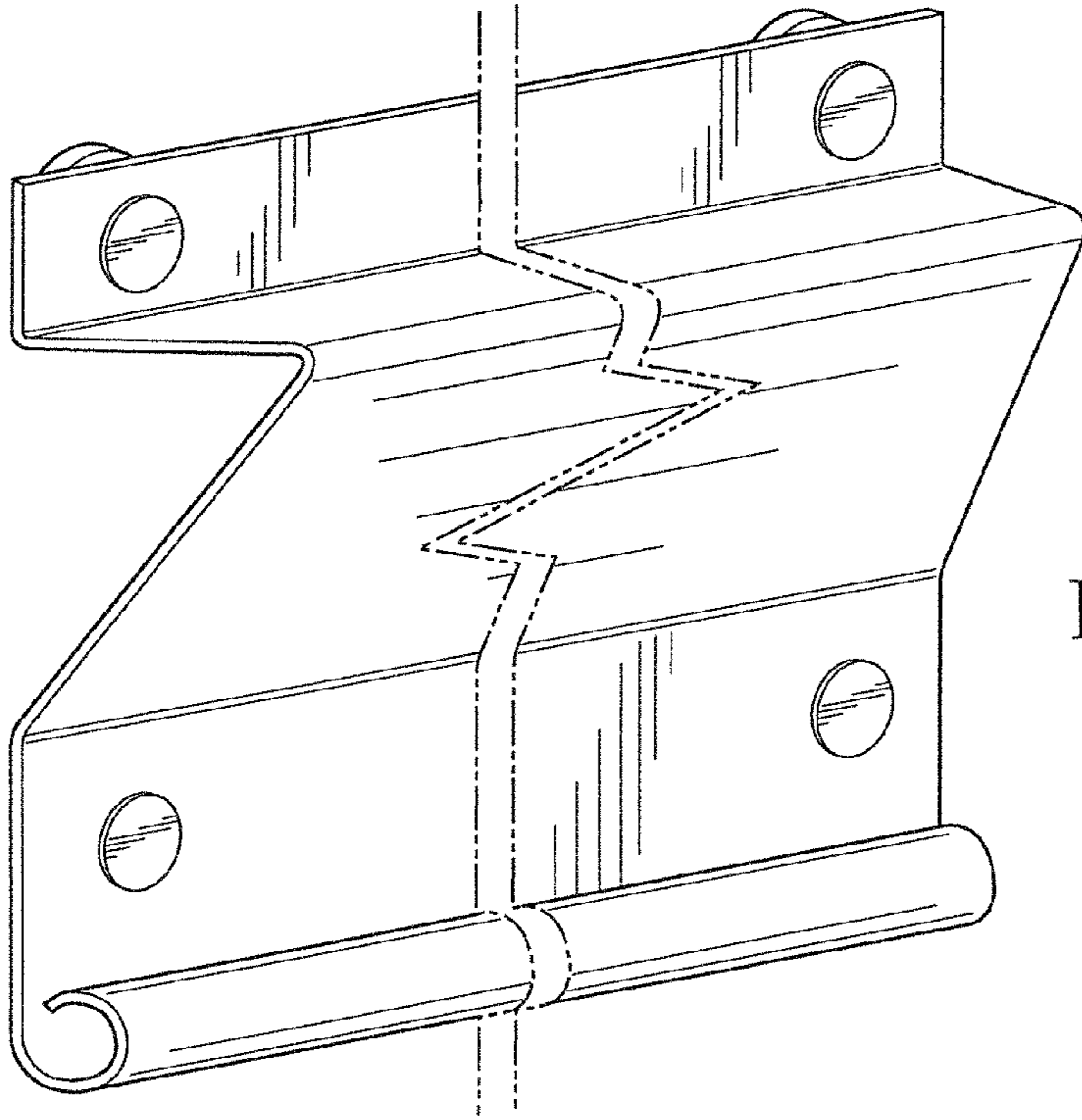


FIG. 1

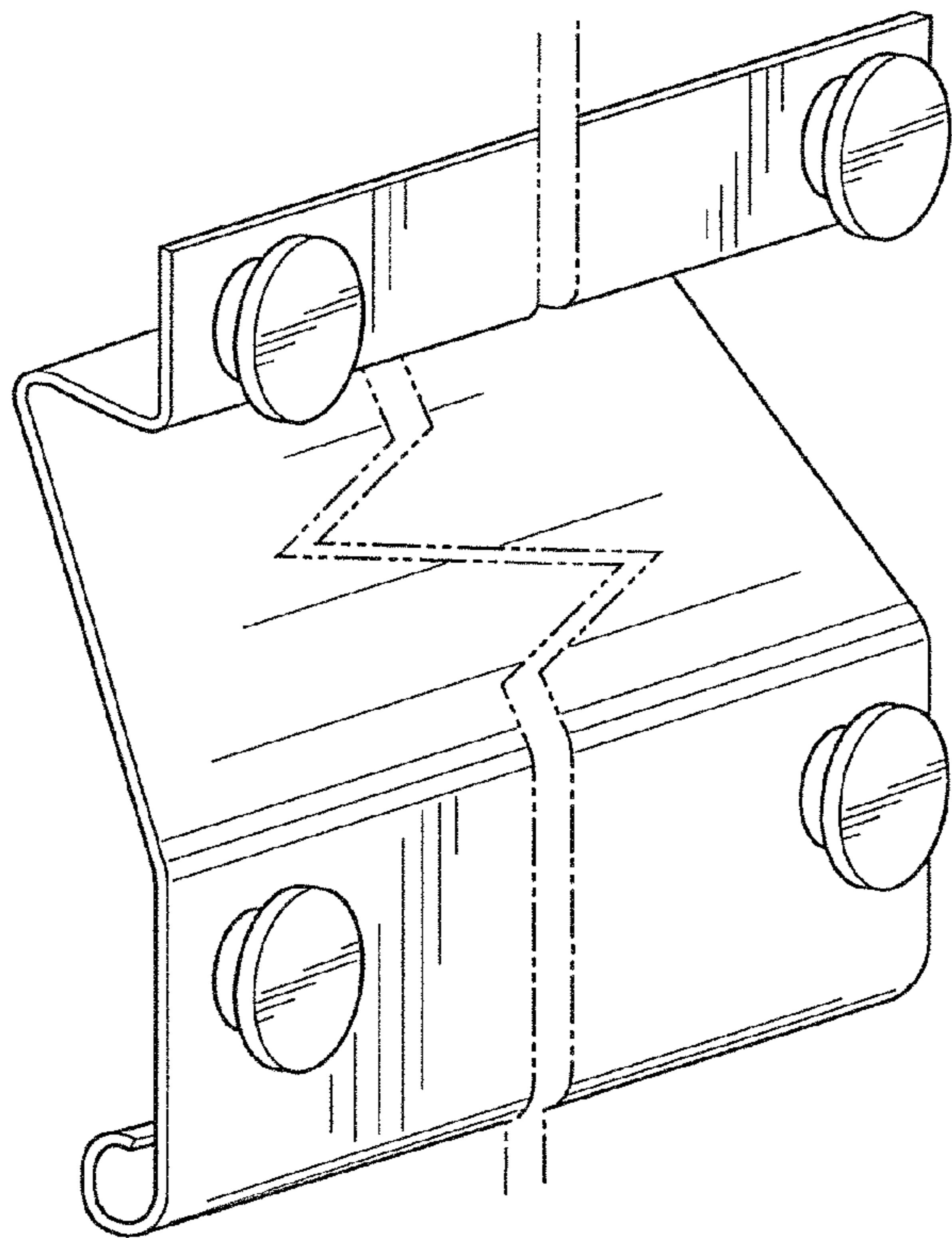


FIG. 2

FIG. 3

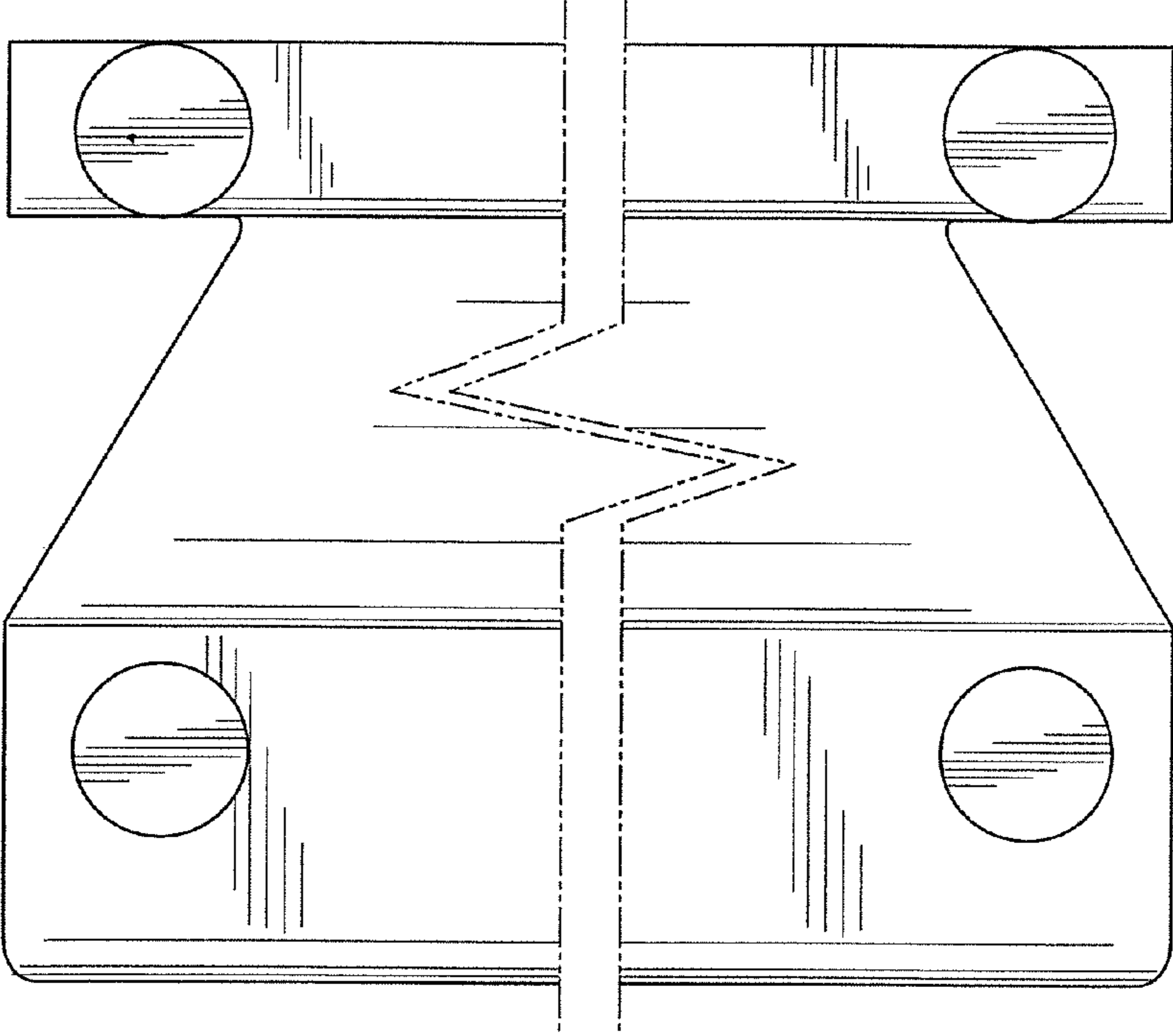
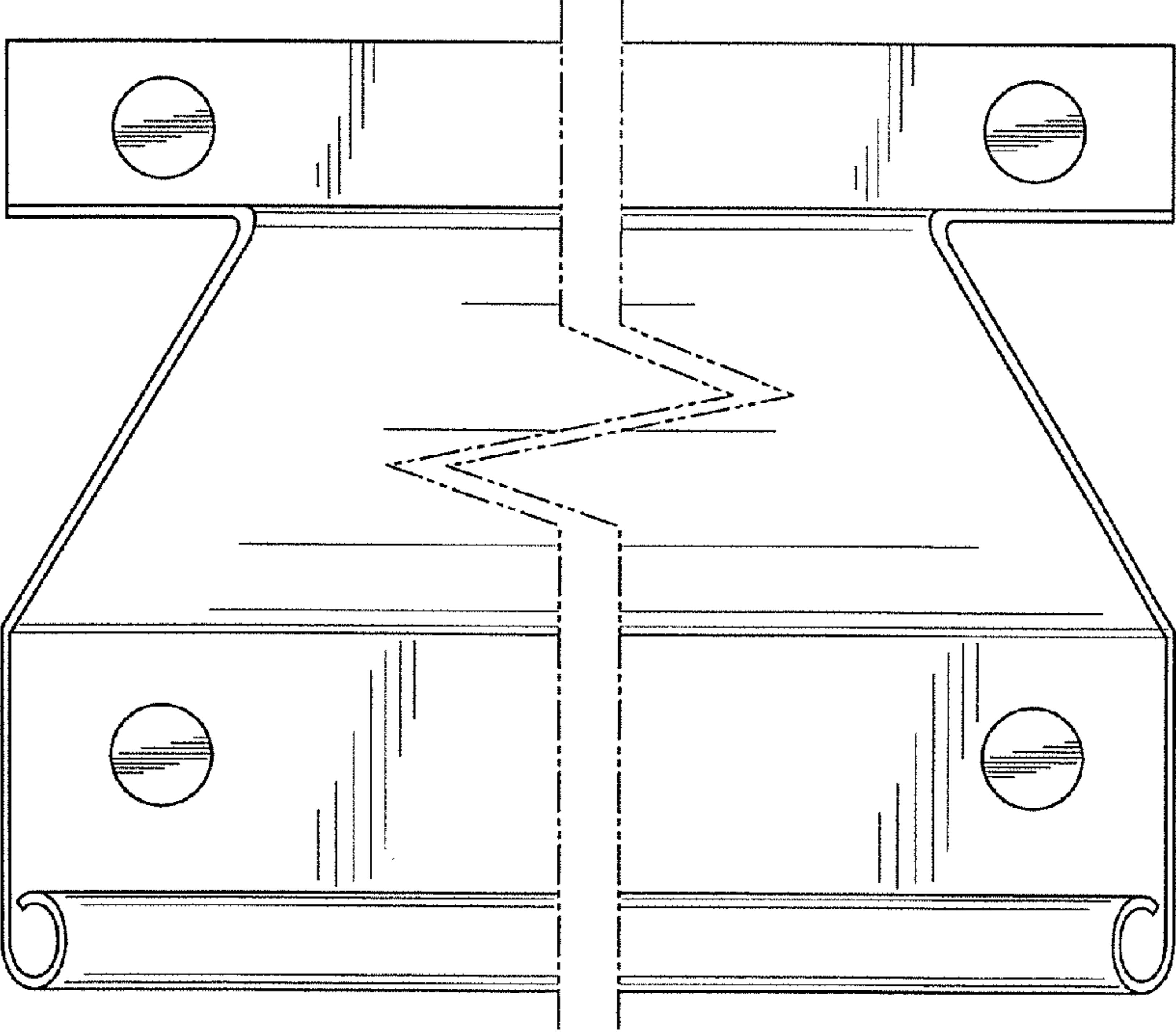


FIG. 4



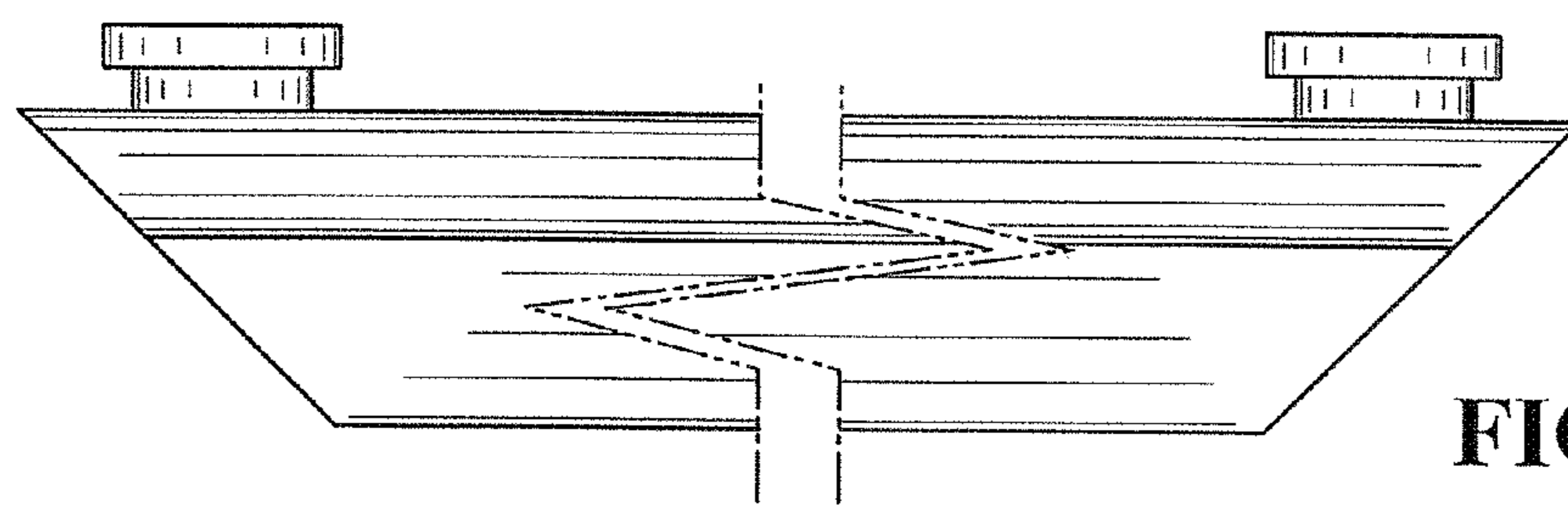
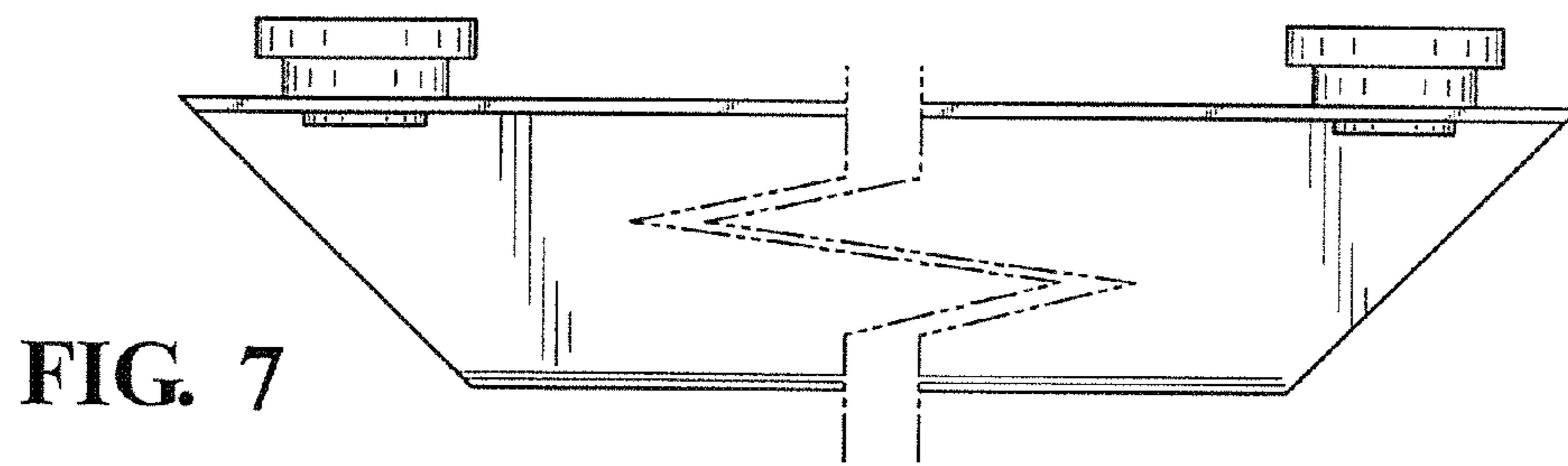
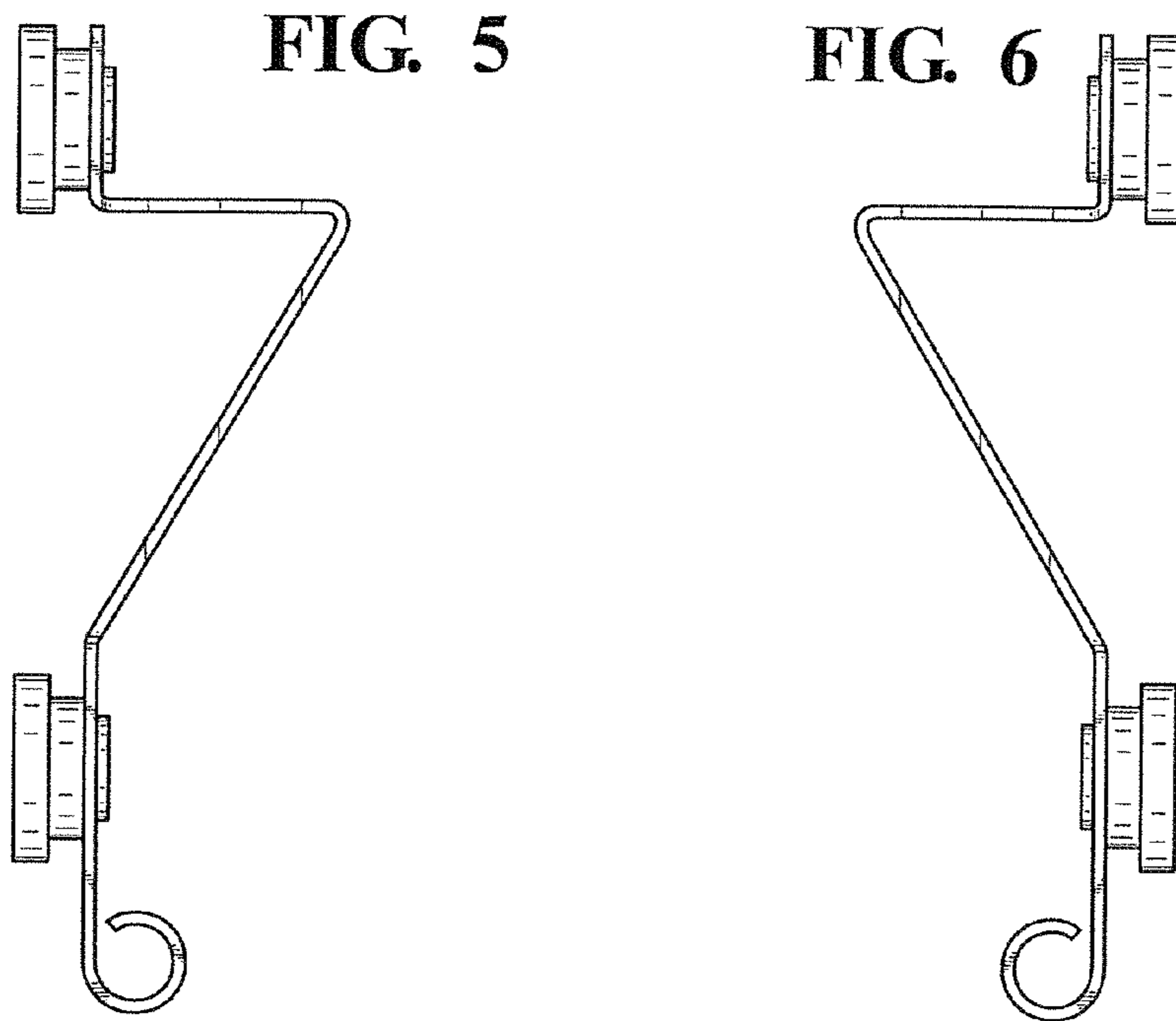


FIG. 8