



US00D770817S

(12) **United States Design Patent**  
**Bertola**

(10) **Patent No.:** **US D770,817 S**

(45) **Date of Patent:** **\*\* Nov. 8, 2016**

(54) **STAND**

(71) Applicant: **BE-DIFFERENT S.r.l.s.**, Carrara (MS)  
(IT)

(72) Inventor: **Michael Bertola**, Carrara (IT)

(73) Assignee: **BE-DIFFERENT S.r.l.s.**, Carrara (MS)  
(IT)

(\*\*) Term: **14 Years**

(21) Appl. No.: **29/520,545**

(22) Filed: **Mar. 16, 2015**

(51) **LOC (10) Cl.** ..... **06-06**

(52) **U.S. Cl.**  
USPC ..... **D6/682.3**

(58) **Field of Classification Search**  
USPC ..... D6/672, 673, 678, 681, 682, 682.1,  
D6/682.3; D9/457; D7/601  
CPC ..... A47F 5/00; A47F 5/0018; A47F 5/0081;  
A47F 7/0042  
See application file for complete search history.

(56) **References Cited**

**U.S. PATENT DOCUMENTS**

D453,920 S \* 2/2002 Greene ..... D13/108  
D628,203 S \* 11/2010 Noble ..... D14/447

D676,832 S \* 2/2013 Akana ..... D14/217  
D703,215 S \* 4/2014 Alesi ..... D14/447  
D705,722 S \* 5/2014 Gengler ..... D13/107  
D711,316 S \* 8/2014 Ryu ..... D13/108  
D716,084 S \* 10/2014 Murchison ..... D6/682.1  
D730,090 S \* 5/2015 Christal ..... D6/675.3  
D741,336 S \* 10/2015 Miniard ..... D14/447  
D748,616 S \* 2/2016 Noble ..... D14/253

\* cited by examiner

*Primary Examiner* — Kelley Donnelly

(74) *Attorney, Agent, or Firm* — Ladas & Parry LLP

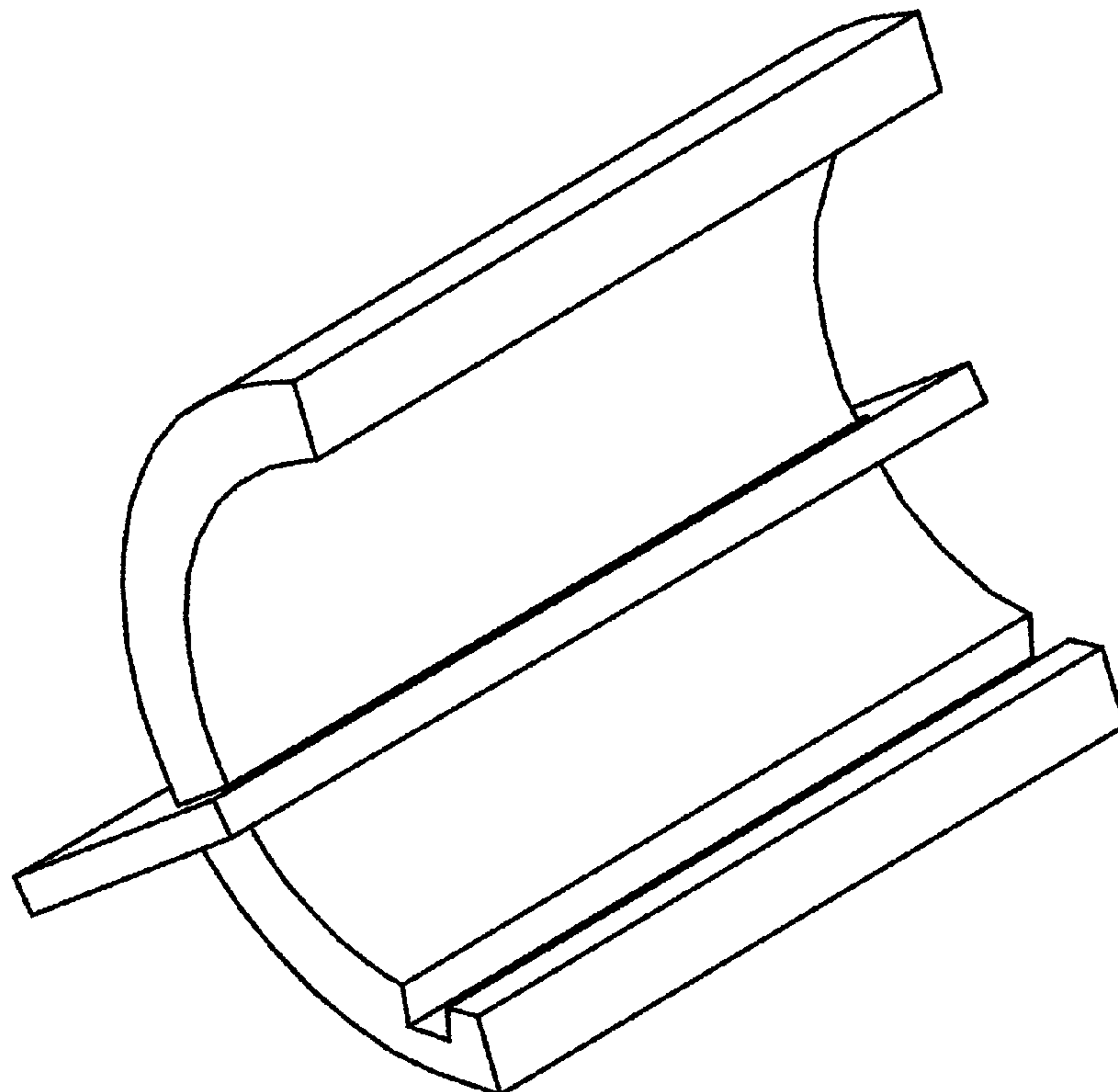
(57) **CLAIM**

The ornamental design for a stand, as shown and described.

**DESCRIPTION**

FIG. 1 is a front perspective view showing my new design;  
FIG. 2 is a rear perspective view thereof;  
FIG. 3 is a front elevational view thereof;  
FIG. 4 is a rear elevational view thereof;  
FIG. 5 is a left elevational view thereof;  
FIG. 6 is a right elevational view thereof;  
FIG. 7 is a bottom plan view thereof;  
FIG. 8 is a top plan view thereof; and,  
FIG. 9 is a left elevational view thereof.

**1 Claim, 5 Drawing Sheets**



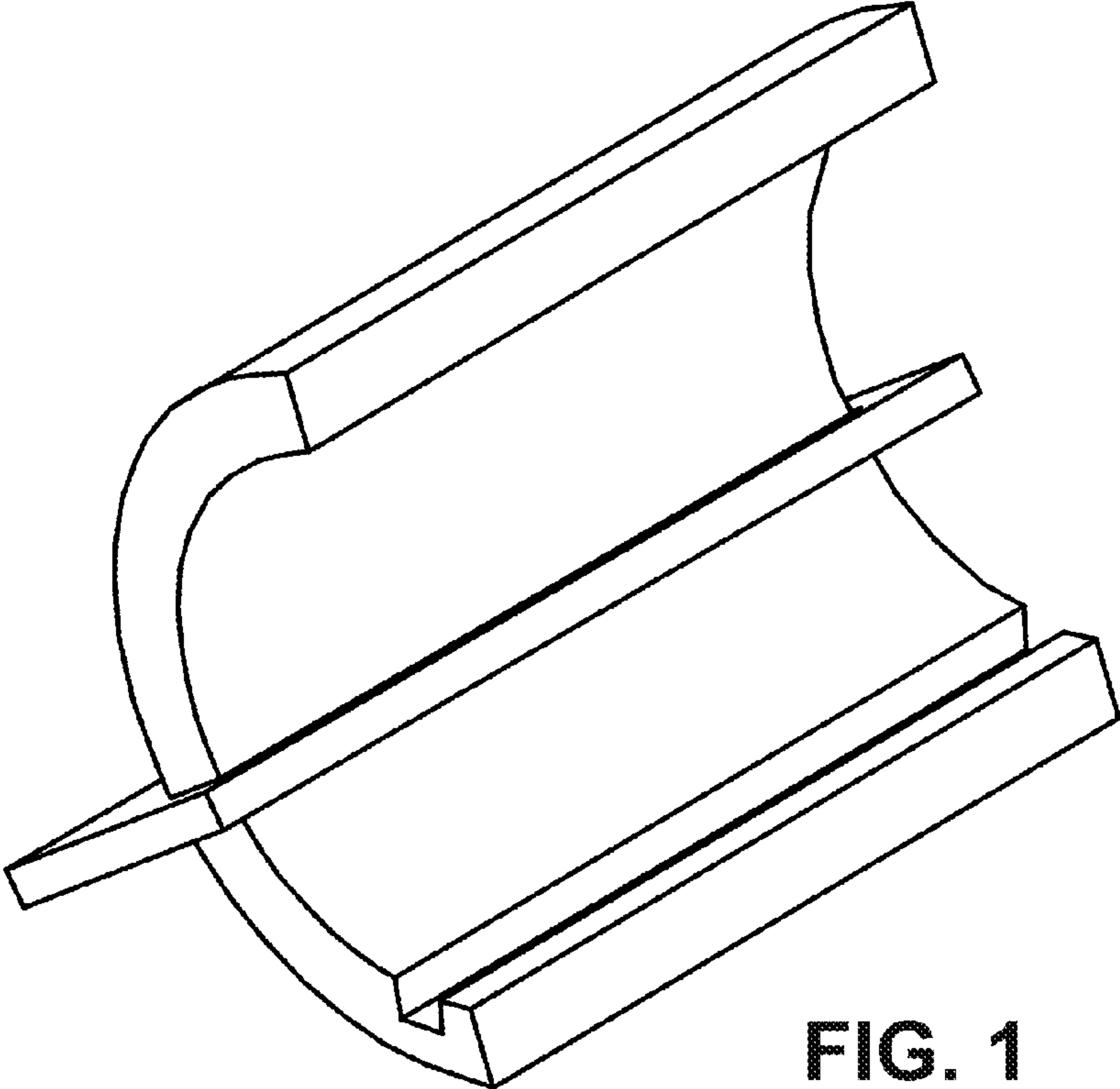
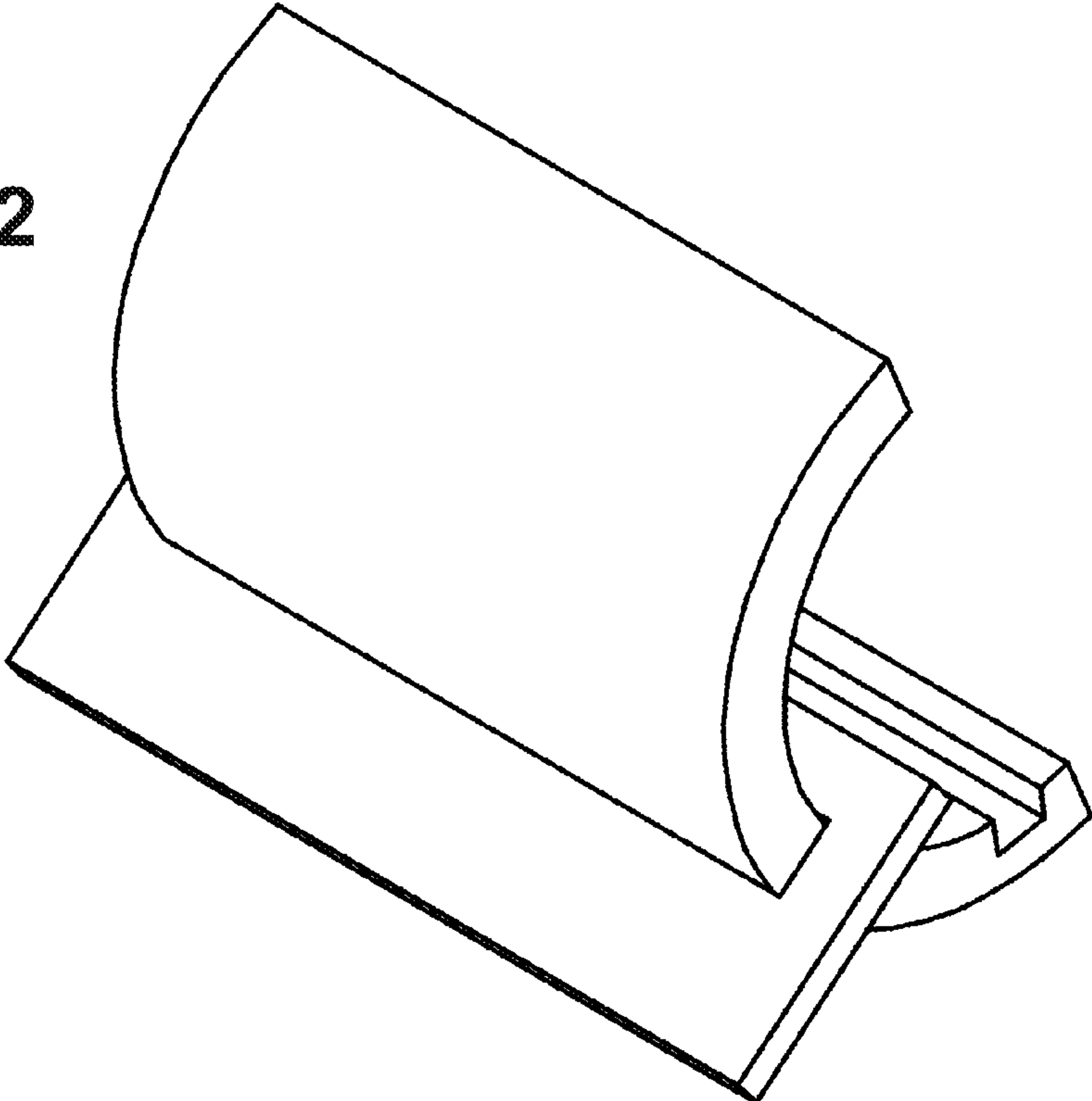
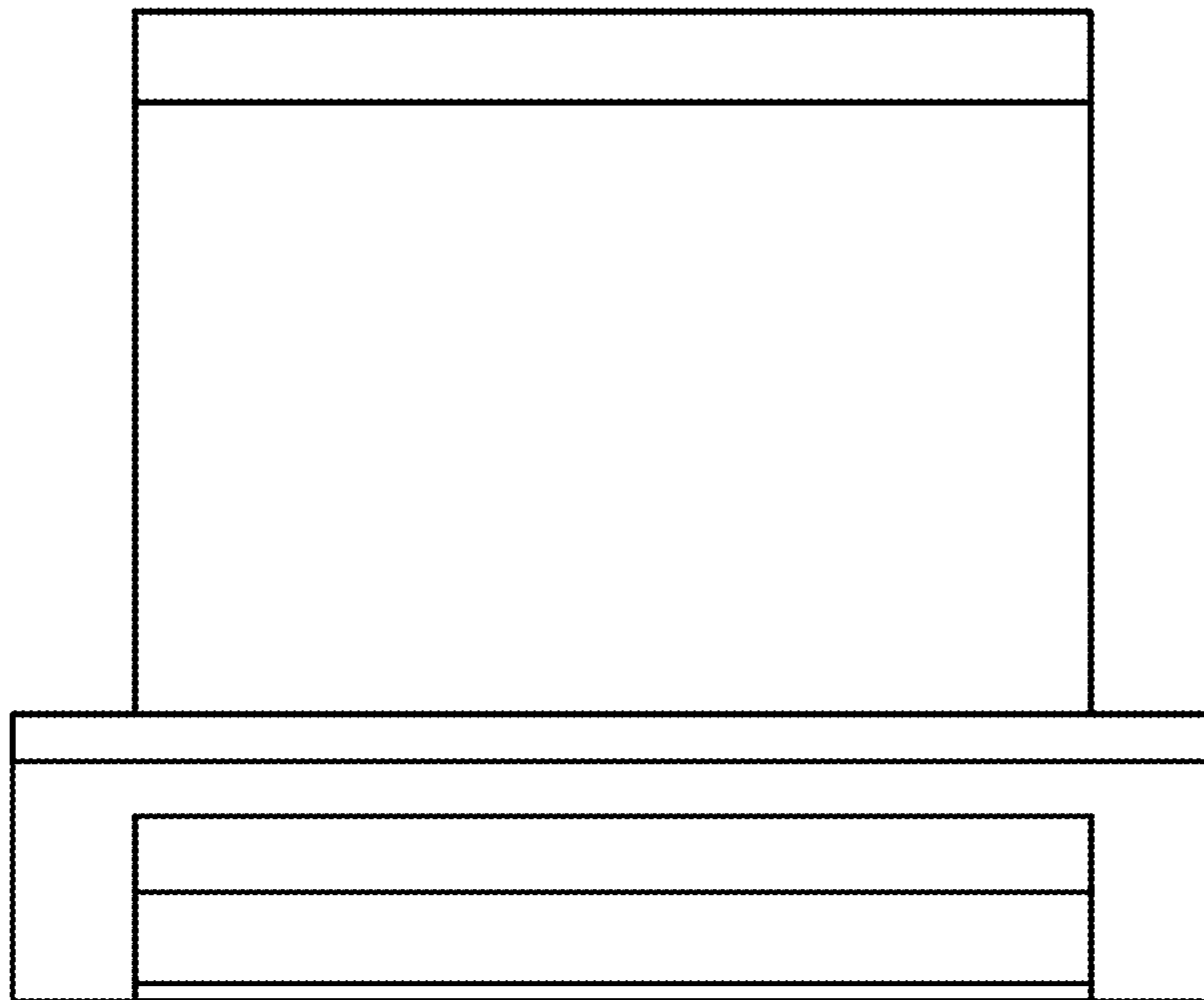


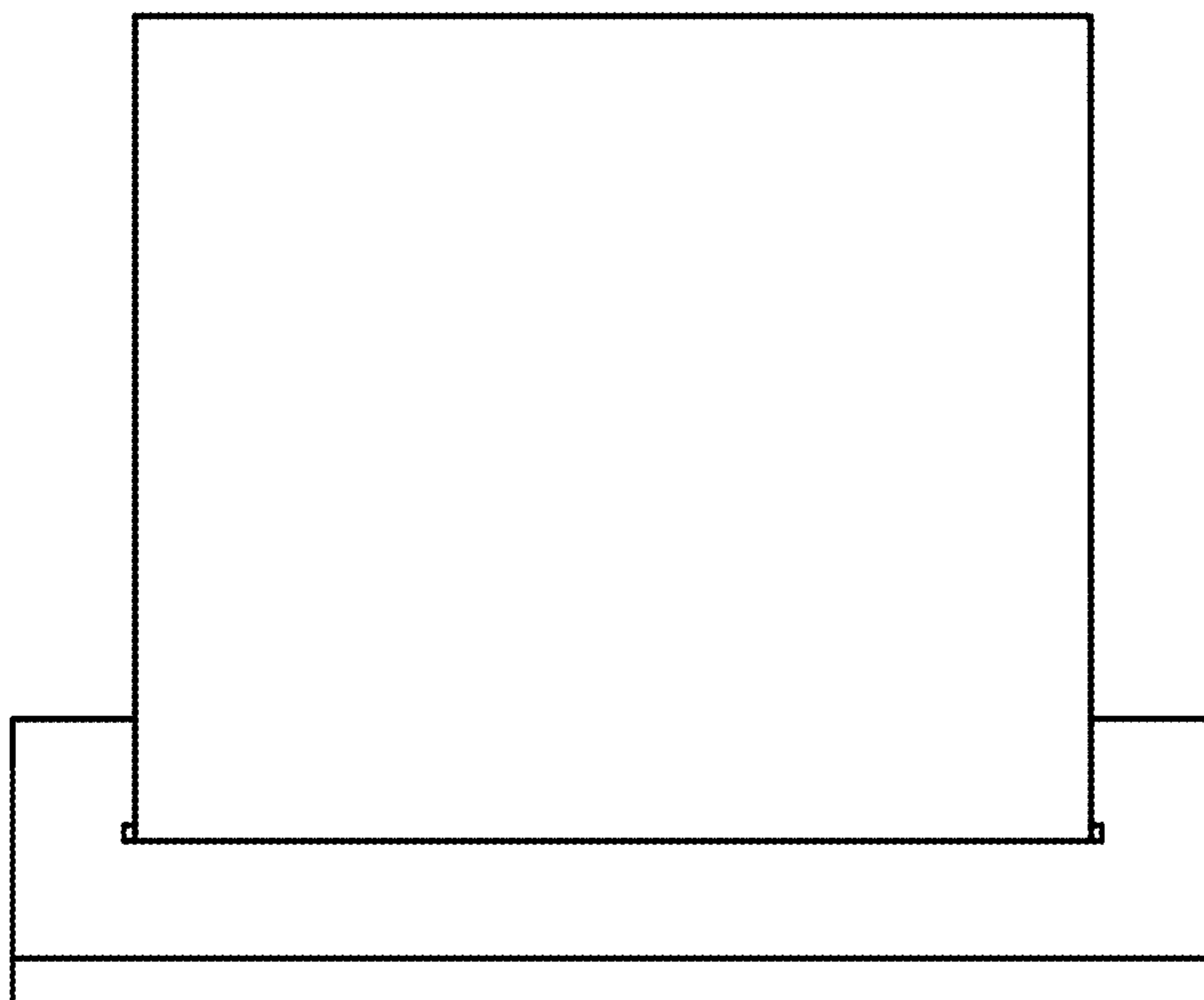
FIG. 1

FIG. 2





**FIG. 3**



**FIG. 4**

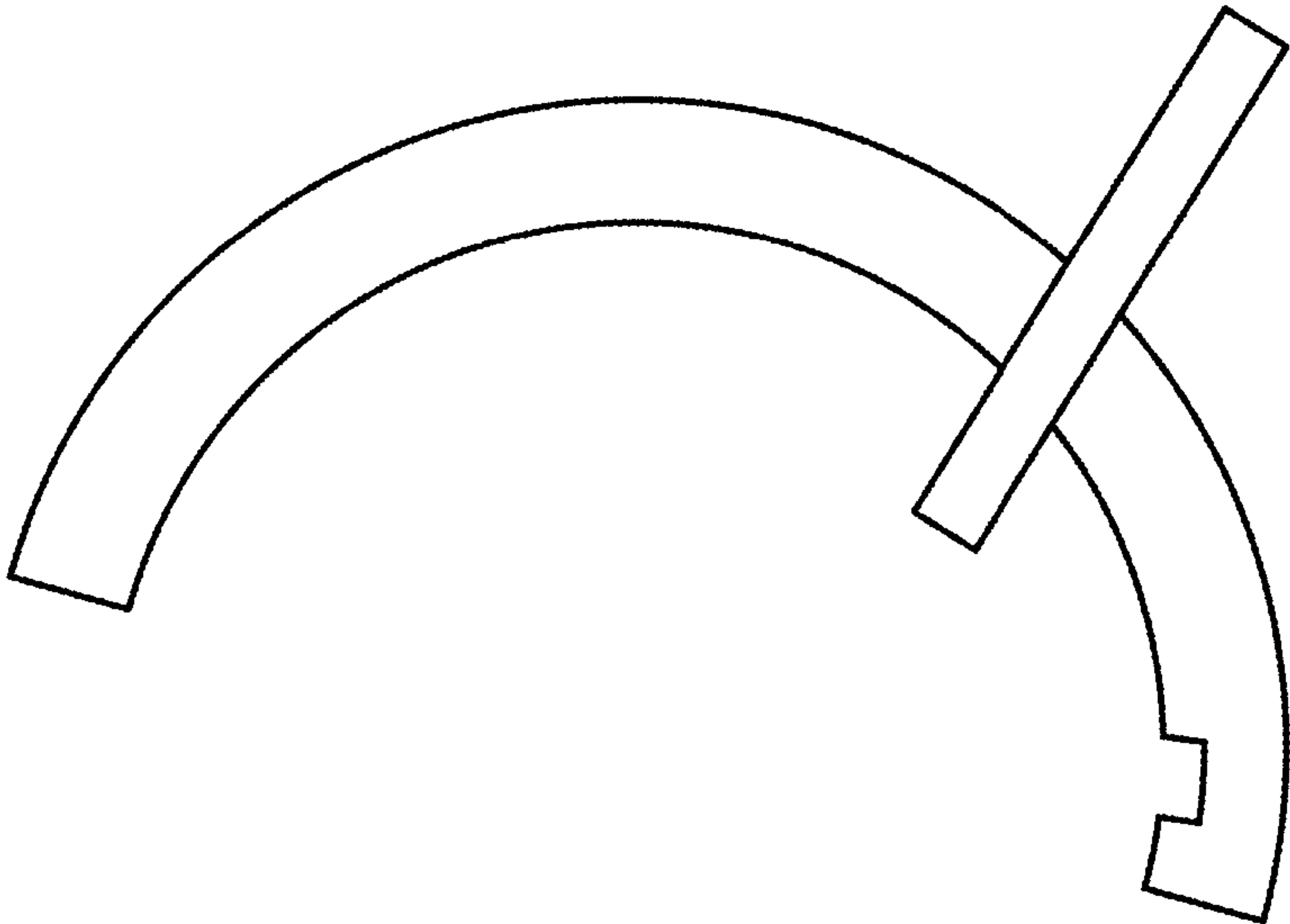


FIG. 6

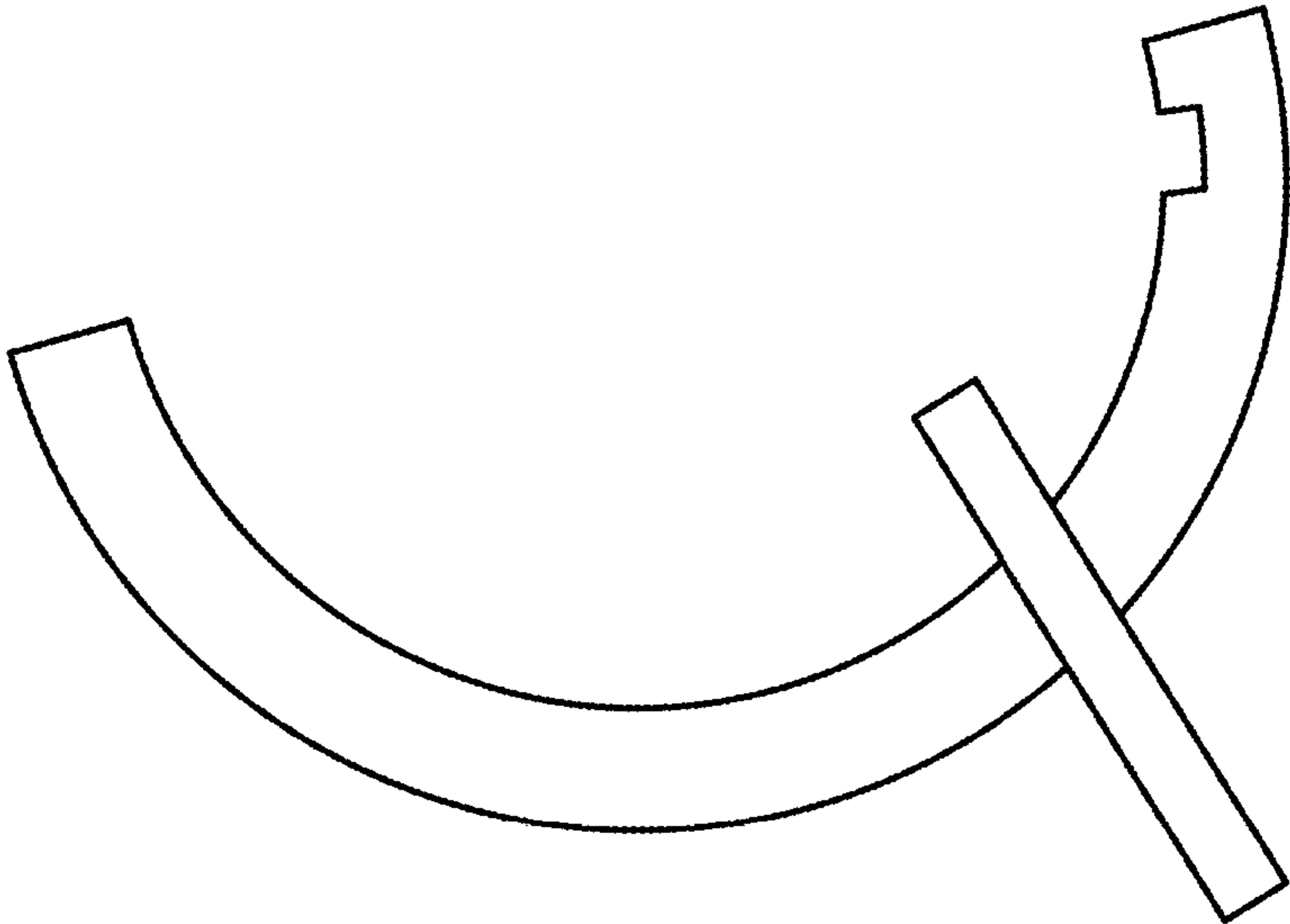


FIG. 5

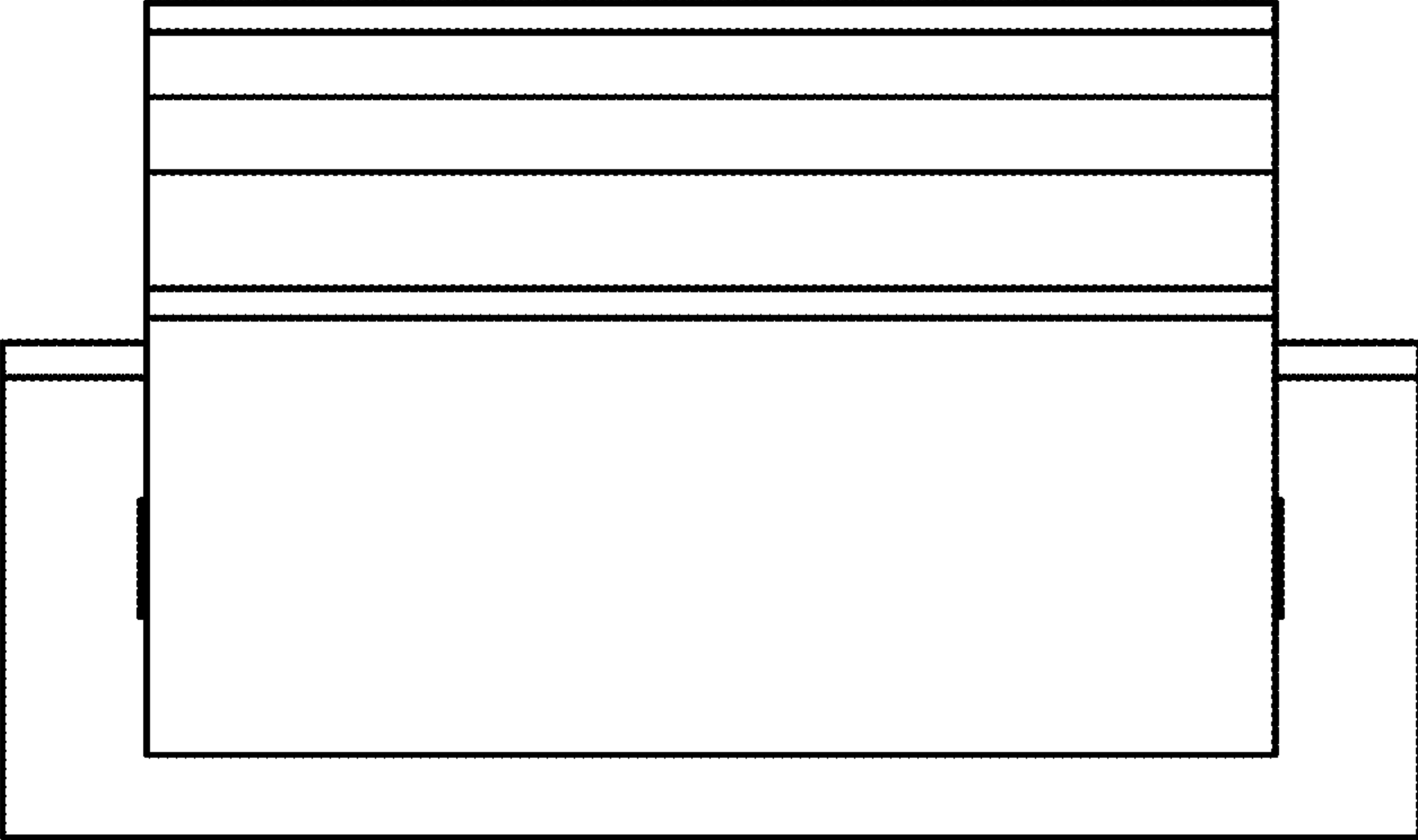


FIG. 7

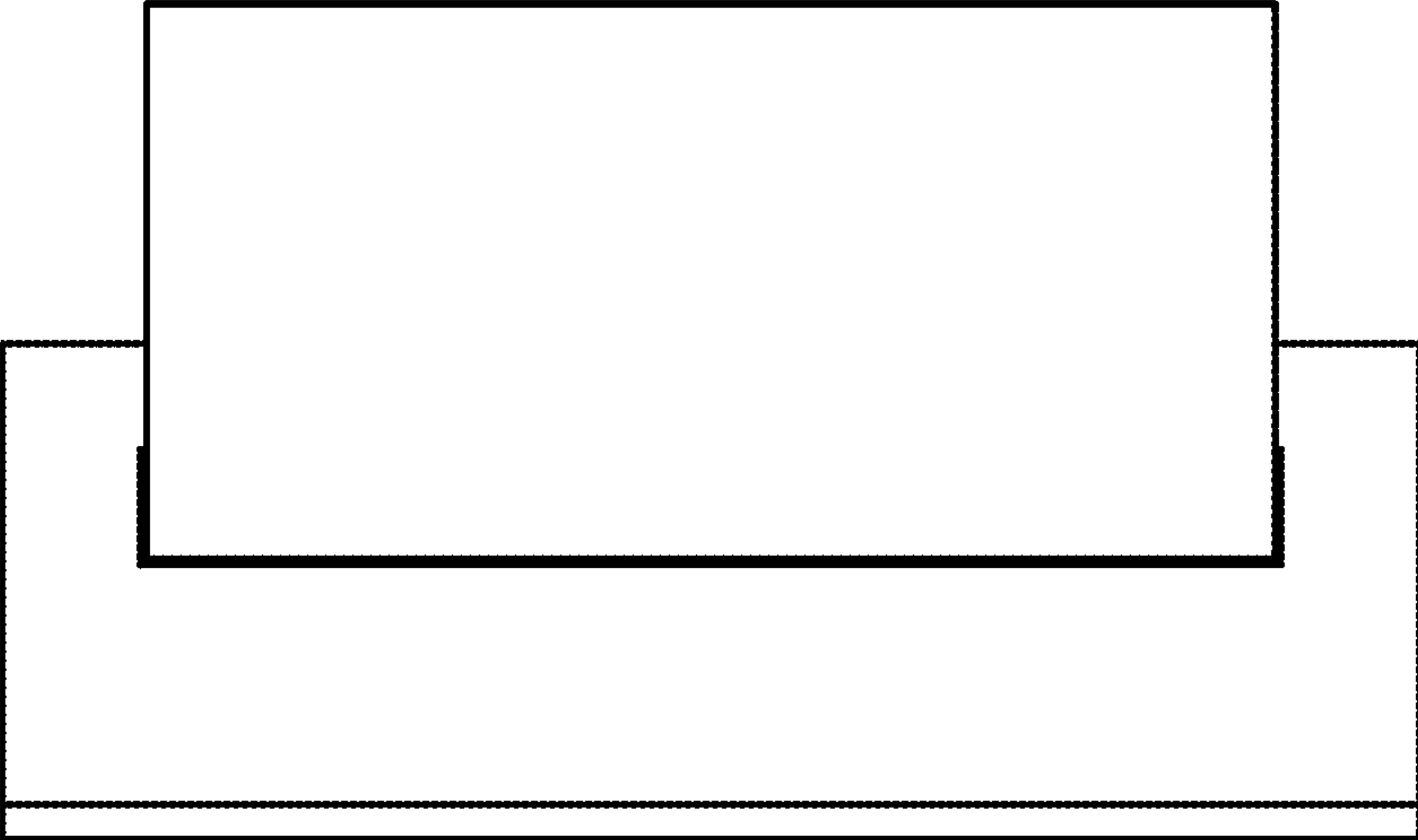


FIG. 8

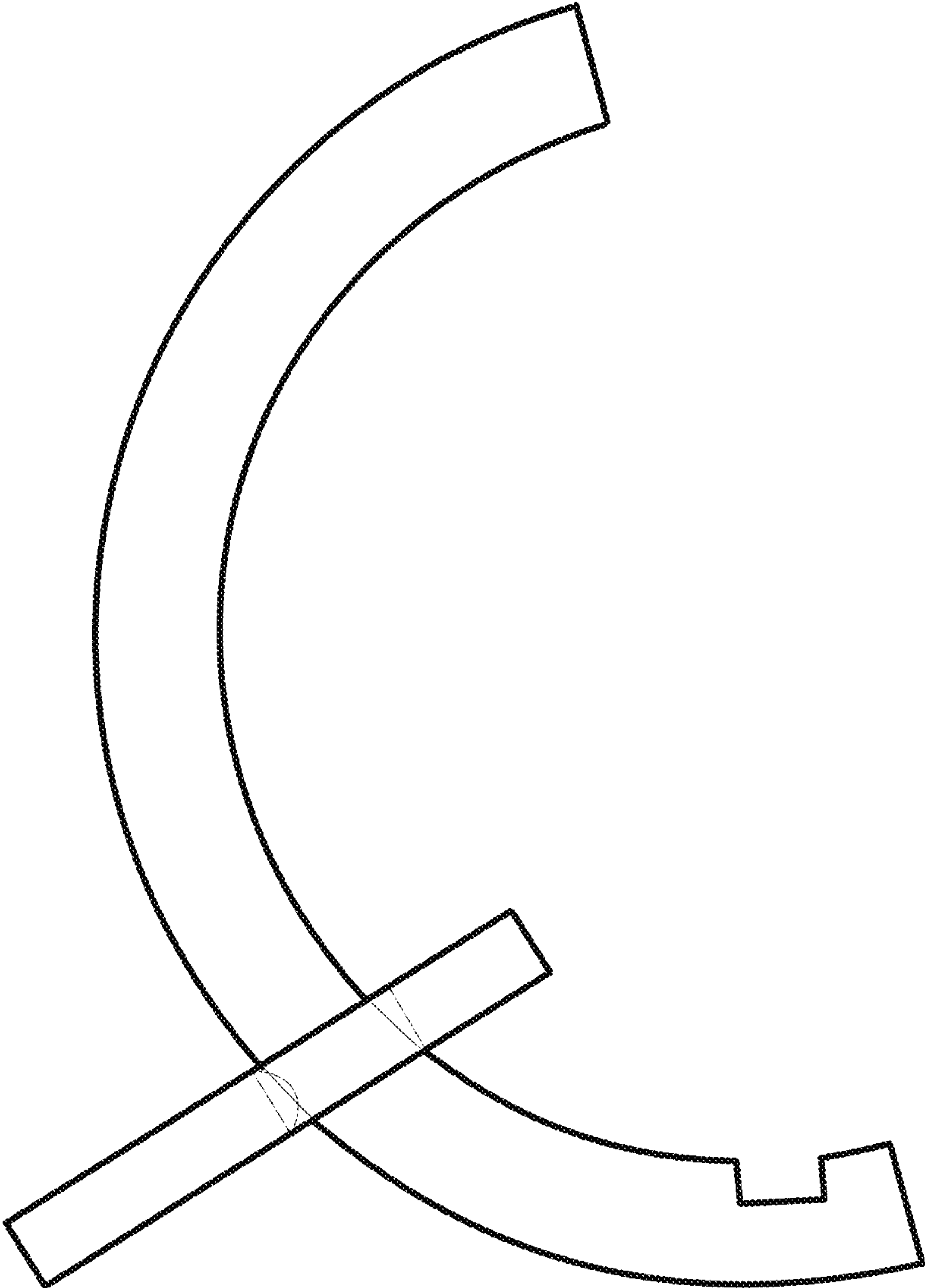


FIG. 9