



US00D770816S

(12) **United States Design Patent** (10) **Patent No.:** **US D770,816 S**
Johnson et al. (45) **Date of Patent:** **** Nov. 8, 2016**

(54) **DISPLAY UNIT**
(71) Applicant: **Target Brands, Inc.**, Minneapolis, MN (US)
(72) Inventors: **Blake M. Johnson**, St. Paul, MN (US); **Matthew D. Peterson**, Elk River, MN (US)
(73) Assignee: **Target Brands, Inc.**, Minneapolis, MN (US)
(**) Term: **15 Years**

5,577,817 A * 11/1996 Reynolds A47B 81/00
126/299 D
5,624,044 A 4/1997 Black, Jr.
5,791,501 A 8/1998 Baldwin, Jr.
6,073,625 A 6/2000 Ball
6,357,609 B1 * 3/2002 Van Noord A47B 45/00
108/65
6,539,936 B2 4/2003 Behn
6,996,929 B1 2/2006 Greene, Jr. et al.
D598,674 S * 8/2009 Frank D6/675.1
D661,124 S * 6/2012 Curbbun D20/10
D693,156 S * 11/2013 Hamm D6/672
8,602,227 B1 * 12/2013 McDonald A47F 5/0853
211/193
8,616,387 B2 12/2013 Romeiro et al.
D699,990 S 2/2014 Martell et al.
D725,947 S * 4/2015 Tio D6/675.1
D741,091 S * 10/2015 Tio D6/675

(21) Appl. No.: **29/530,026**
(22) Filed: **Jun. 12, 2015**
(51) **LOC (10) Cl.** **06-06**
(52) **U.S. Cl.**
USPC **D6/675**
(58) **Field of Classification Search**
USPC D6/468, 470, 473-479, 396-397,
D6/432-436, 449-451, 672-673,
D6/675-675.1; 211/42, 44-45, 48, 50,
211/90.01, 133.1; 312/7.2, 9.1, 107-109,
312/117-119, 278-279; 108/59, 108, 161
CPC A47F 5/003; A47F 5/08; A47F 5/16
See application file for complete search history.

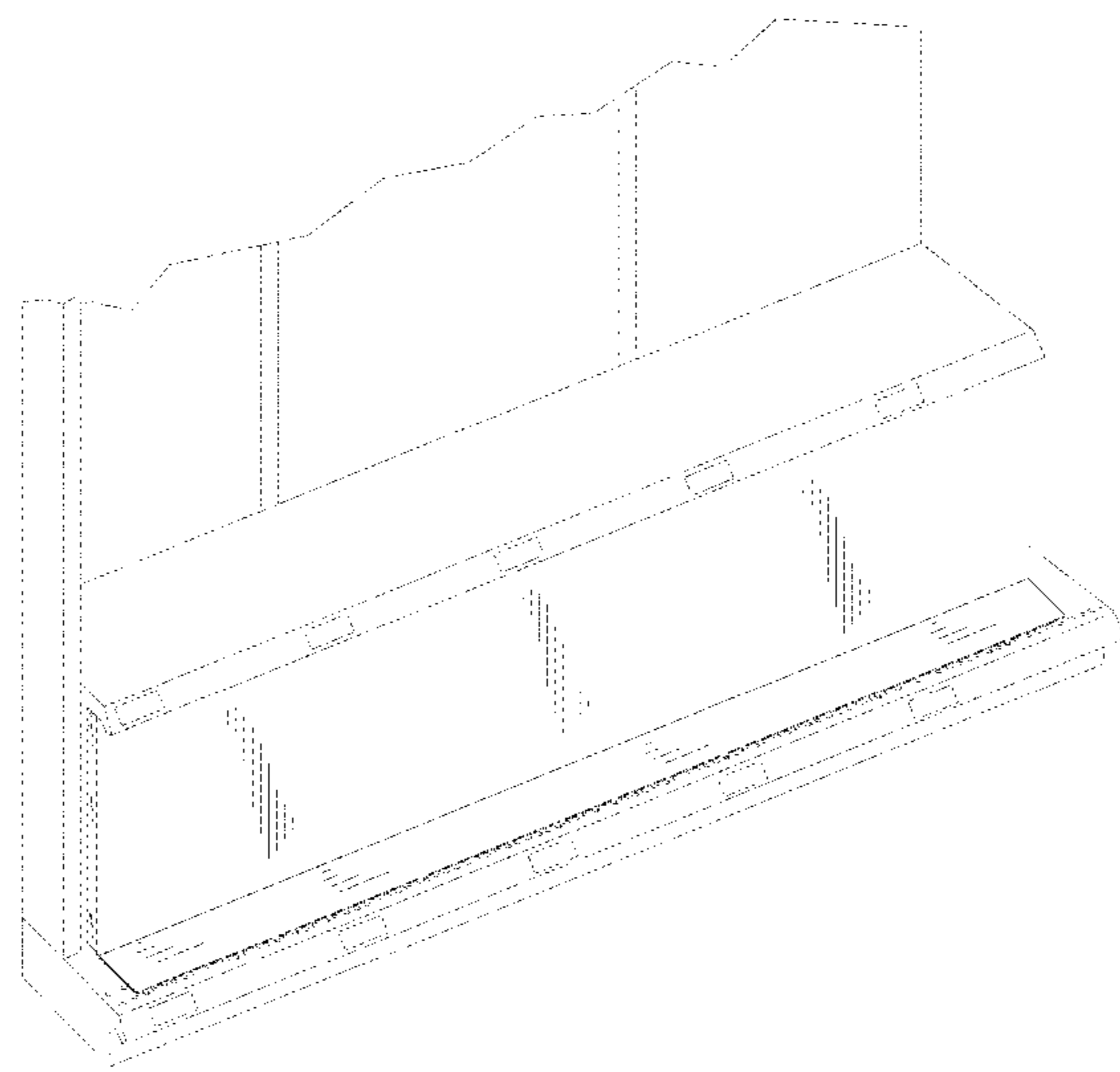
(56) **References Cited**
U.S. PATENT DOCUMENTS
1,569,406 A 1/1926 Sonntag
3,740,881 A * 6/1973 Finger G09F 7/22
116/63 P
4,641,447 A 2/1987 Tausevich
4,776,472 A 10/1988 Rosen
4,776,484 A 10/1988 Hansen
D321,100 S * 10/1991 Dorrell D6/683.1
5,301,655 A 4/1994 Licata
D347,755 S * 6/1994 Houston D6/699
D365,947 S * 1/1996 Howard D6/675.1

(Continued)
Primary Examiner — Kelley Donnelly
(74) *Attorney, Agent, or Firm* — Leanne Taveggia Farrell;
Westman, Champlin & Koehler, P.A.

(57) **CLAIM**
The ornamental design for a display unit, as shown and described.

DESCRIPTION
FIG. 1 is a perspective view of a display unit with environment showing our new design;
FIG. 2 is a perspective view thereof without environment;
FIG. 3 is a front view thereof;
FIG. 4 is a back view thereof;
FIG. 5 is a left side view thereof, the right side view being a mirror image;
FIG. 6 is an enlarged view of a portion of FIG. 5 as indicated in the broken line circle in FIG. 5;
FIG. 7 is a top view thereof; and,
FIG. 8 is a bottom view thereof.
The broken lines shown in the drawings are included for purposes of illustrating environment or portions of the display unit and form no part of the claimed design.

1 Claim, 6 Drawing Sheets



US D770,816 S

Page 2

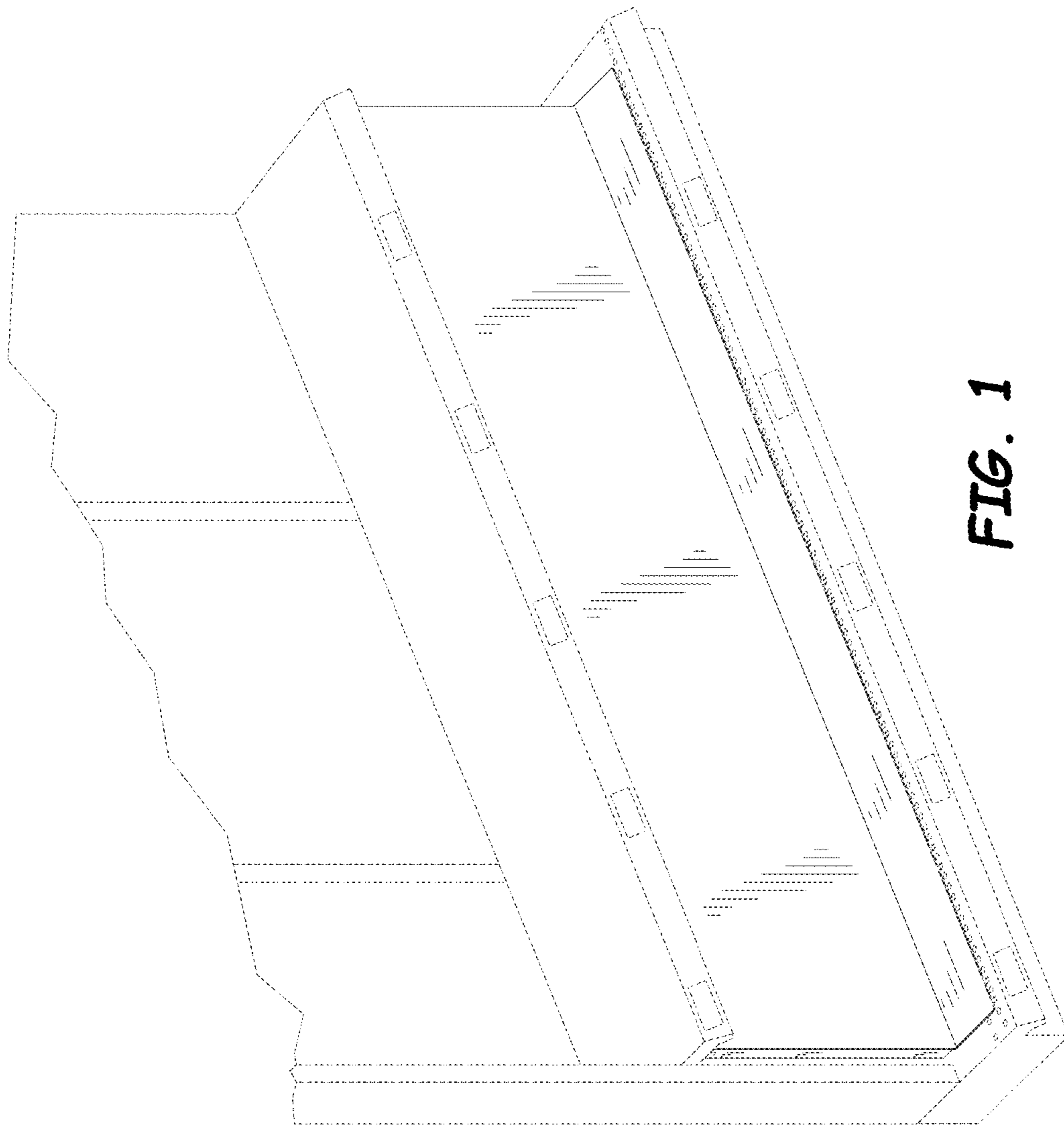
(56)

References Cited

U.S. PATENT DOCUMENTS

D758,768 S *	6/2016	Ocegueda	D6/678.4	2005/0279033 A1*	12/2005	Faber	E04B 2/7453
2002/0112652 A1	8/2002	Freking et al.					52/36.4
2003/0205002 A1	11/2003	Gradecki		2007/0170823 A1*	7/2007	Stannis	A47B 81/06
2005/0122012 A1	6/2005	Northrup					312/7.2
				2008/0093319 A1	4/2008	Stover et al.	

* cited by examiner



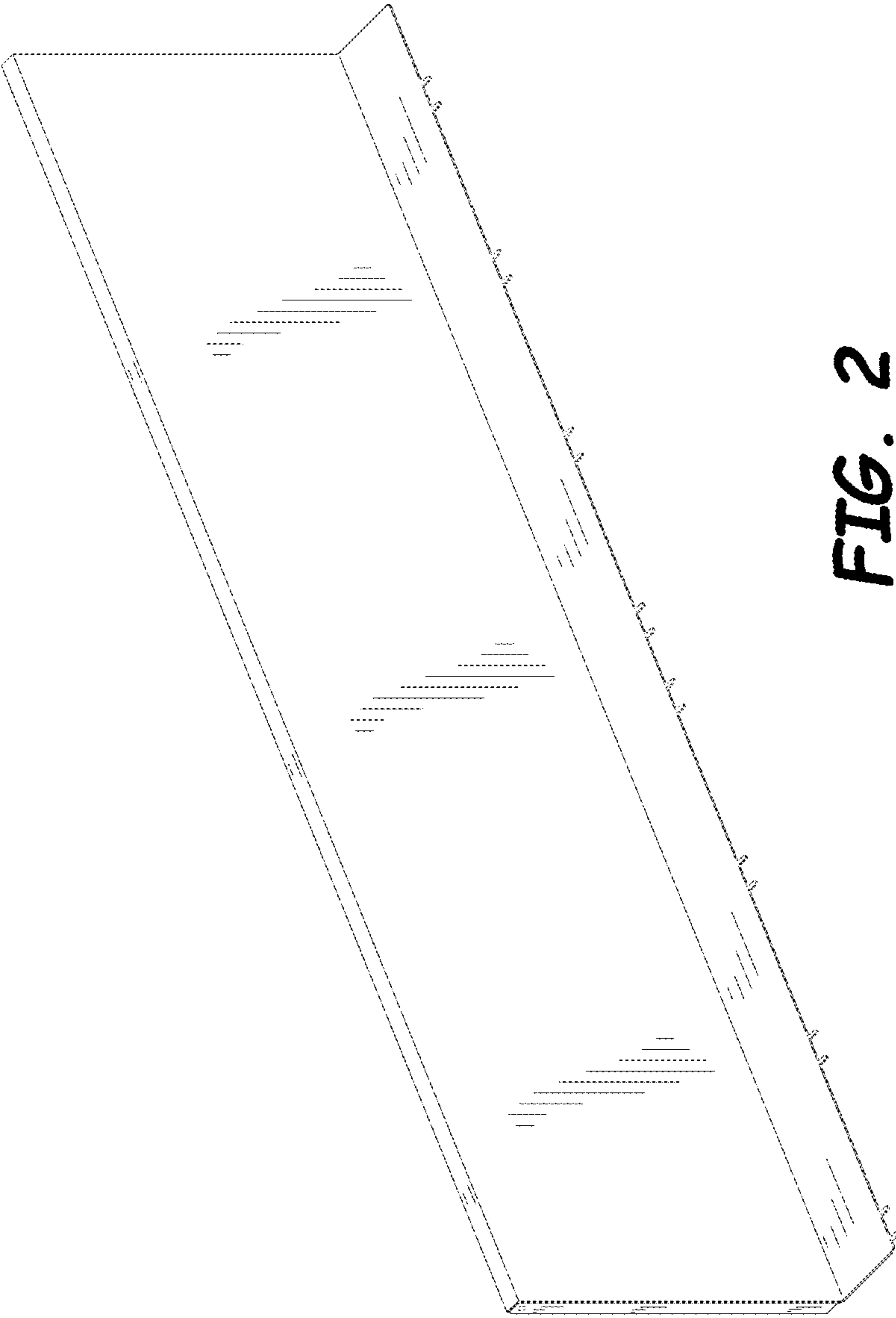


FIG. 2

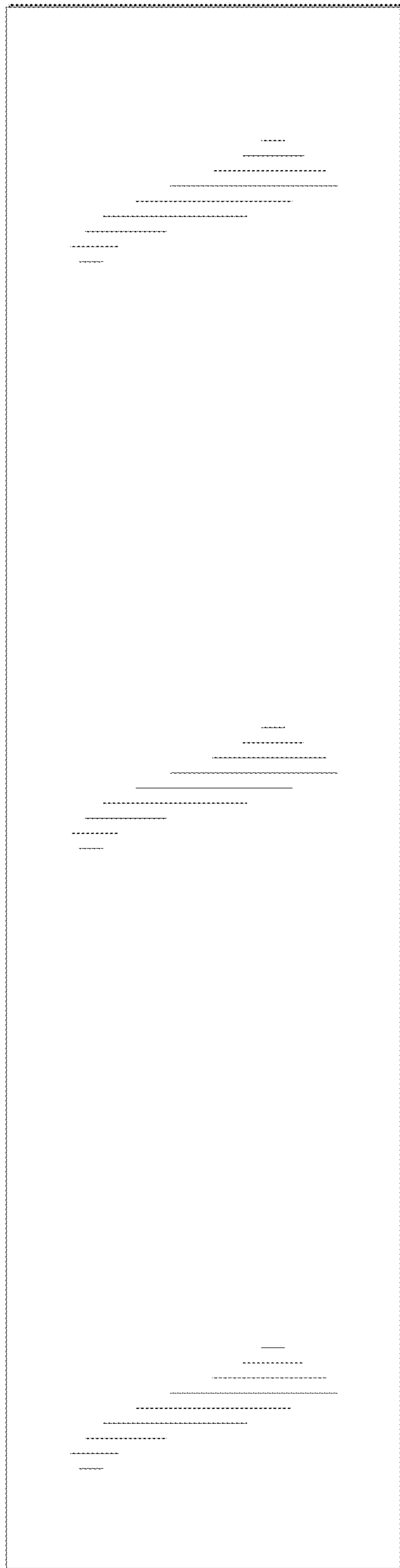


FIG. 3

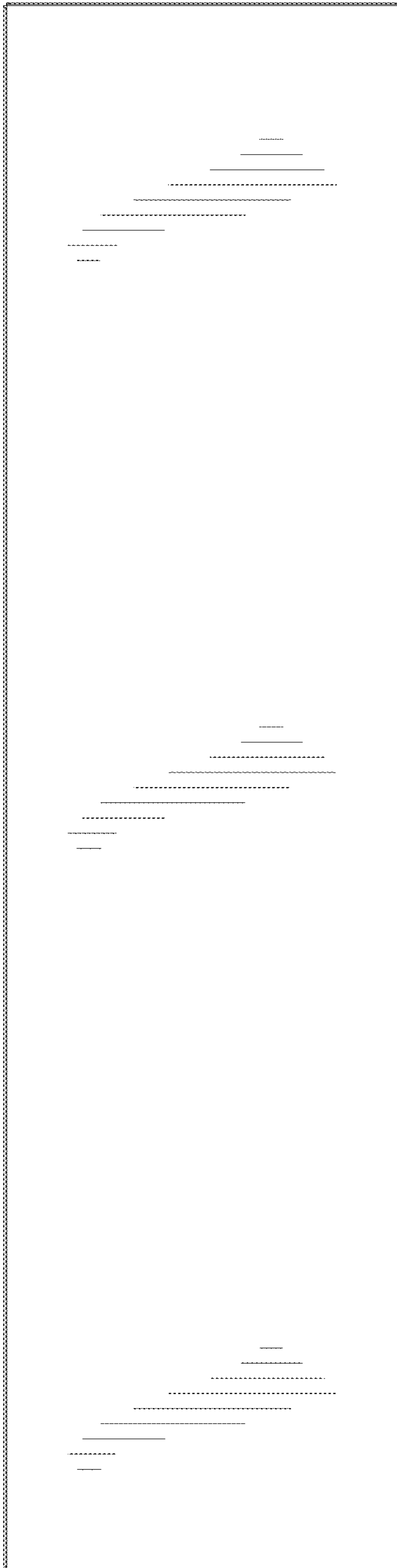


FIG. 4

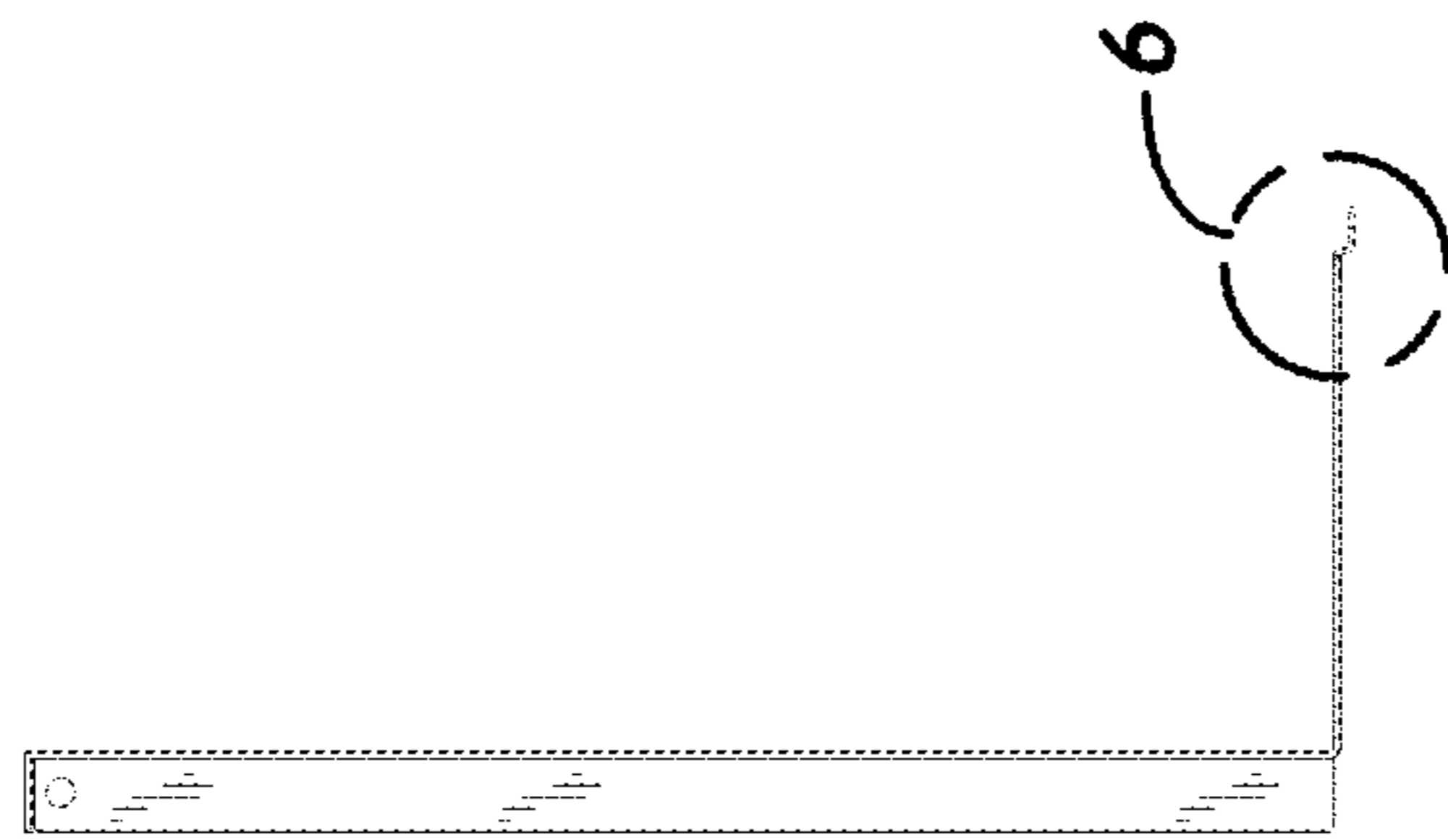


FIG. 5

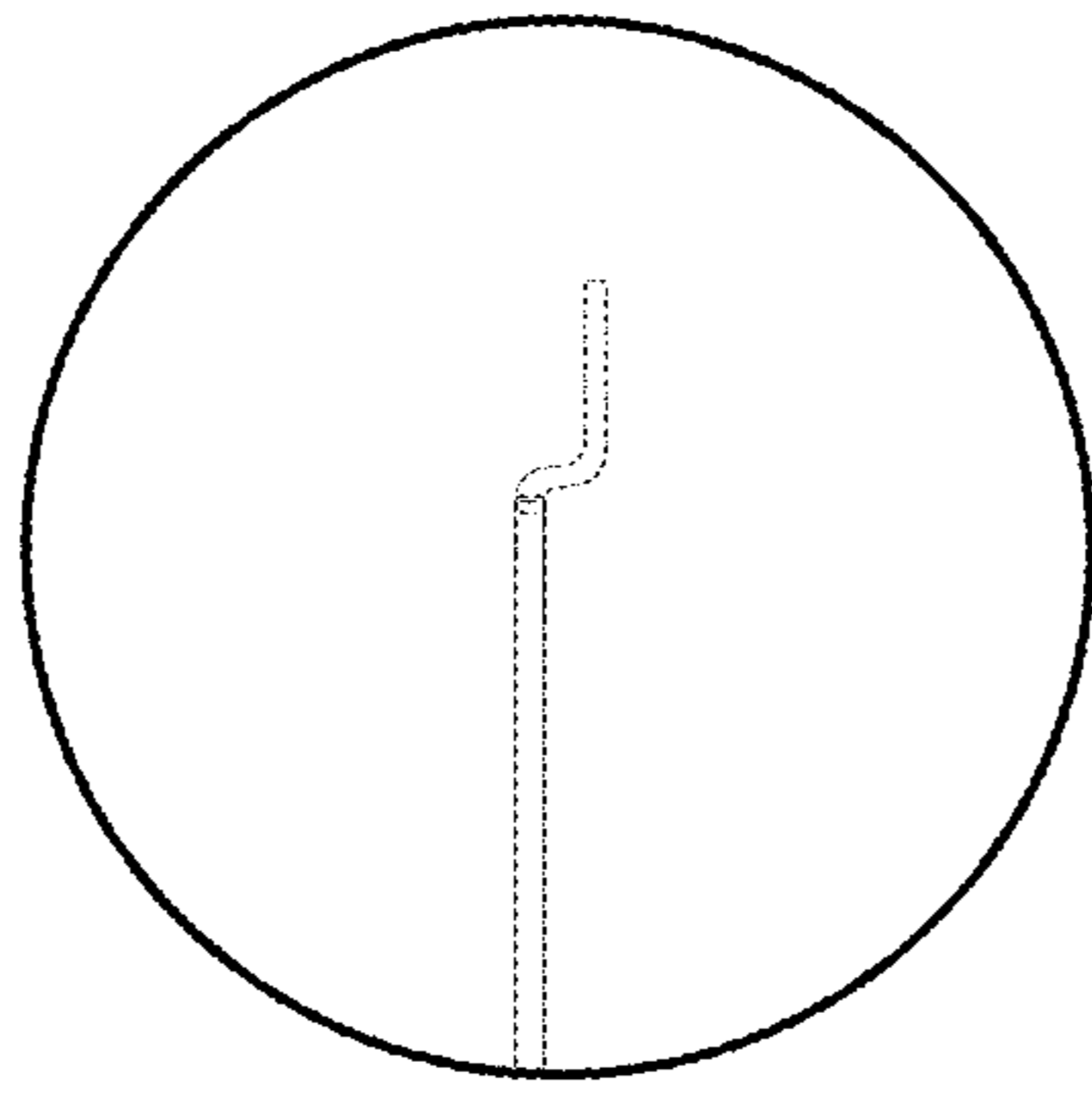


FIG. 6

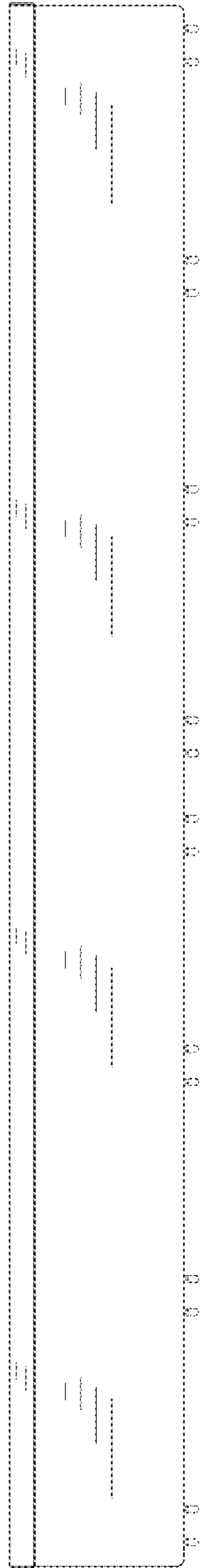


FIG. 7

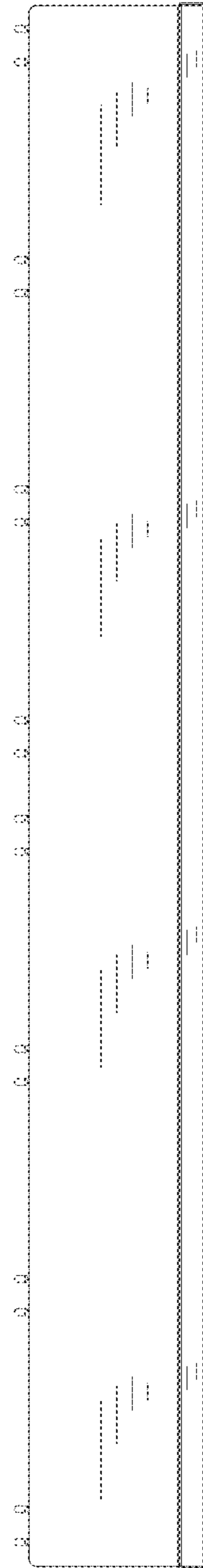


FIG. 8