



US00D770814S

(12) **United States Design Patent** (10) **Patent No.:** **US D770,814 S**  
**Davidson et al.** (45) **Date of Patent:** **\*\* Nov. 8, 2016**

(54) **ADJUSTABLE DESK**  
(71) Applicant: **Marco Group, Inc.**, Neosho, MO (US)  
(72) Inventors: **Richard D. Davidson**, Neosho, MO (US); **Len A. Coates**, Carthage, MO (US)

(73) Assignee: **Marco Group, Inc.**, Neosho, MO (US)

(\*\*) Term: **15 Years**

(21) Appl. No.: **29/530,258**

(22) Filed: **Jun. 15, 2015**

(51) **LOC (10) Cl.** ..... **06-03**

(52) **U.S. Cl.**  
USPC ..... **D6/656.15**

(58) **Field of Classification Search**  
USPC ..... D6/641, 647, 648.1, 650, 656, D6/656.11-656.13, 656.15, 656.1, 696.1, D6/406.1, 406.2  
CPC .... A47B 3/00; A47B 3/00812; A47B 21/00; A47B 21/02; A47B 17/00; A47B 27/00; A47B 27/14; A47B 41/00  
See application file for complete search history.

(56) **References Cited**

U.S. PATENT DOCUMENTS

D296,851 S \* 7/1988 Kelley ..... D6/656.11  
4,807,836 A \* 2/1989 Price ..... A47B 27/14  
108/147

(Continued)

OTHER PUBLICATIONS

Up-Rite Workstation—Mobile Adjustable Sit and Stand Desk, printed Jun. 15, 2015 from <http://moorecoinc.com/product-view.php?category=standing-desks-928&series=up-rite-workstation-height-adjustable-sit-stand-desk-938>.

(Continued)

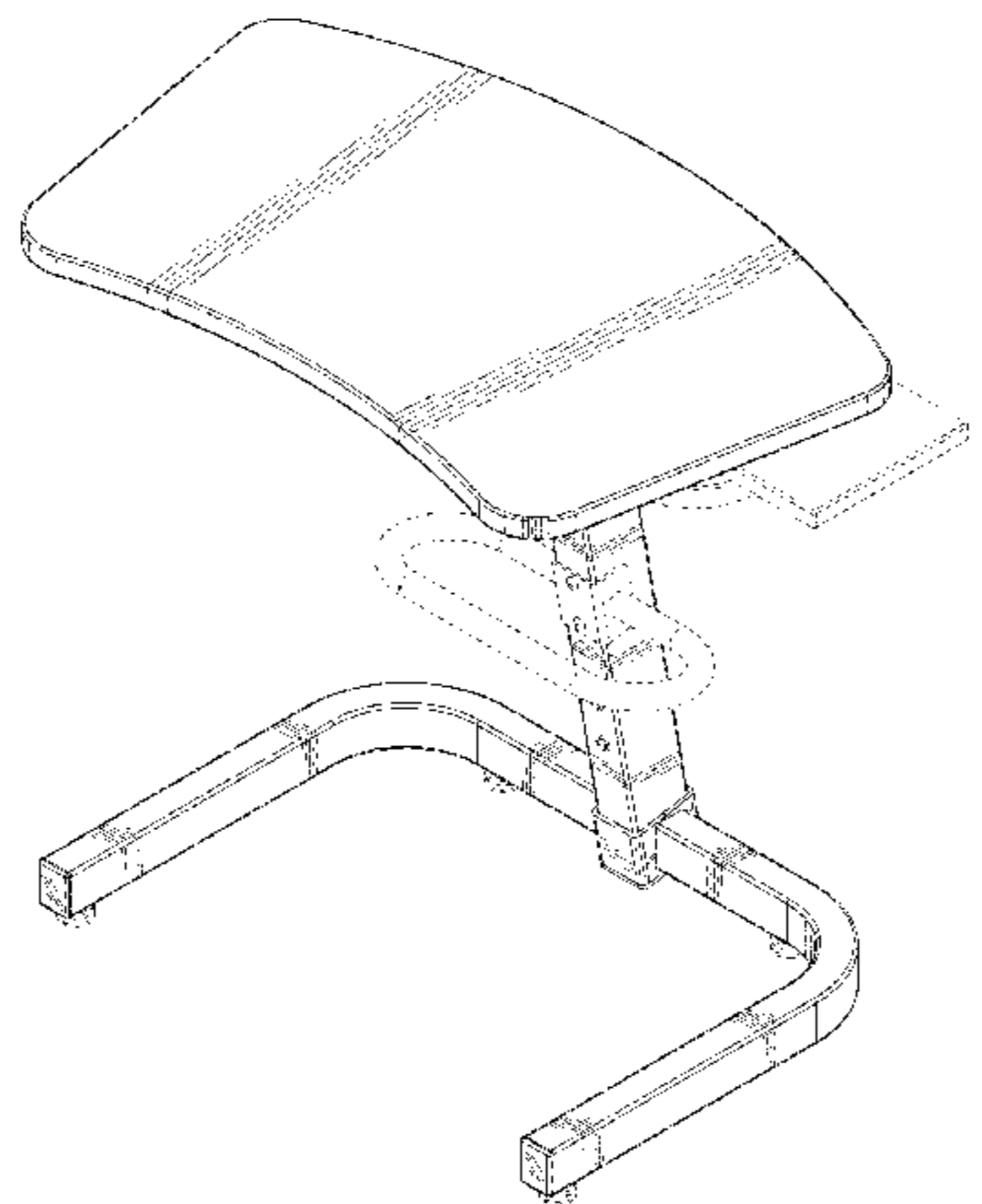
*Primary Examiner* — Mary Ann Calabrese  
(74) *Attorney, Agent, or Firm* — Martin & Associates, LLC; Derek P. Martin

(57) **CLAIM**  
The ornamental design for an adjustable desk, as shown and described.

**DESCRIPTION**

FIG. 1 is an upper perspective view of an adjustable desk with the desk top in a lower position in a flat orientation showing my new design;  
FIG. 2 is a lower perspective view of the adjustable desk with the desk top in the lower position in the flat orientation;  
FIG. 3 is a back view of the adjustable desk with the desk top in the lower position in the flat orientation;  
FIG. 4 is a front view of the adjustable desk with the desk top in the lower position in the flat orientation;  
FIG. 5 is a left side view of the adjustable desk with the desk top in the lower position in the flat orientation;  
FIG. 6 is a right side view of the adjustable desk with the desk top in the lower position in the flat orientation;  
FIG. 7 is a top view of the adjustable desk with the desk top in the lower position in the flat orientation;  
FIG. 8 is a bottom view of the adjustable desk with the desk top in the lower position in the flat orientation;  
FIG. 9 is an upper perspective view of the adjustable desk with the desk top in an upper position in a tilted orientation;  
FIG. 10 is a lower perspective view of the adjustable desk with the desk top in the upper position in the tilted orientation;  
FIG. 11 is a back view of the adjustable desk with the desk top in the upper position in the tilted orientation;  
FIG. 12 is a front view of the adjustable desk with the desk top in the upper position in the tilted orientation;  
FIG. 13 is a left side view of the adjustable desk with the desk top in the upper position in the tilted orientation;  
FIG. 14 is a right side view of the adjustable desk with the desk top in the upper position in the tilted orientation;  
FIG. 15 is a top view of the adjustable desk with the desk top in the upper position in the tilted orientation; and,  
FIG. 16 is a bottom view of the adjustable desk with the desk top in the upper position in the tilted orientation. The broken lines showing the footrest, shelf and feet are for the purposes of illustration and form no part of the claimed design.

**1 Claim, 14 Drawing Sheets**



(56)

**References Cited**

D759,994 S \* 6/2016 Lin ..... D6/656.13

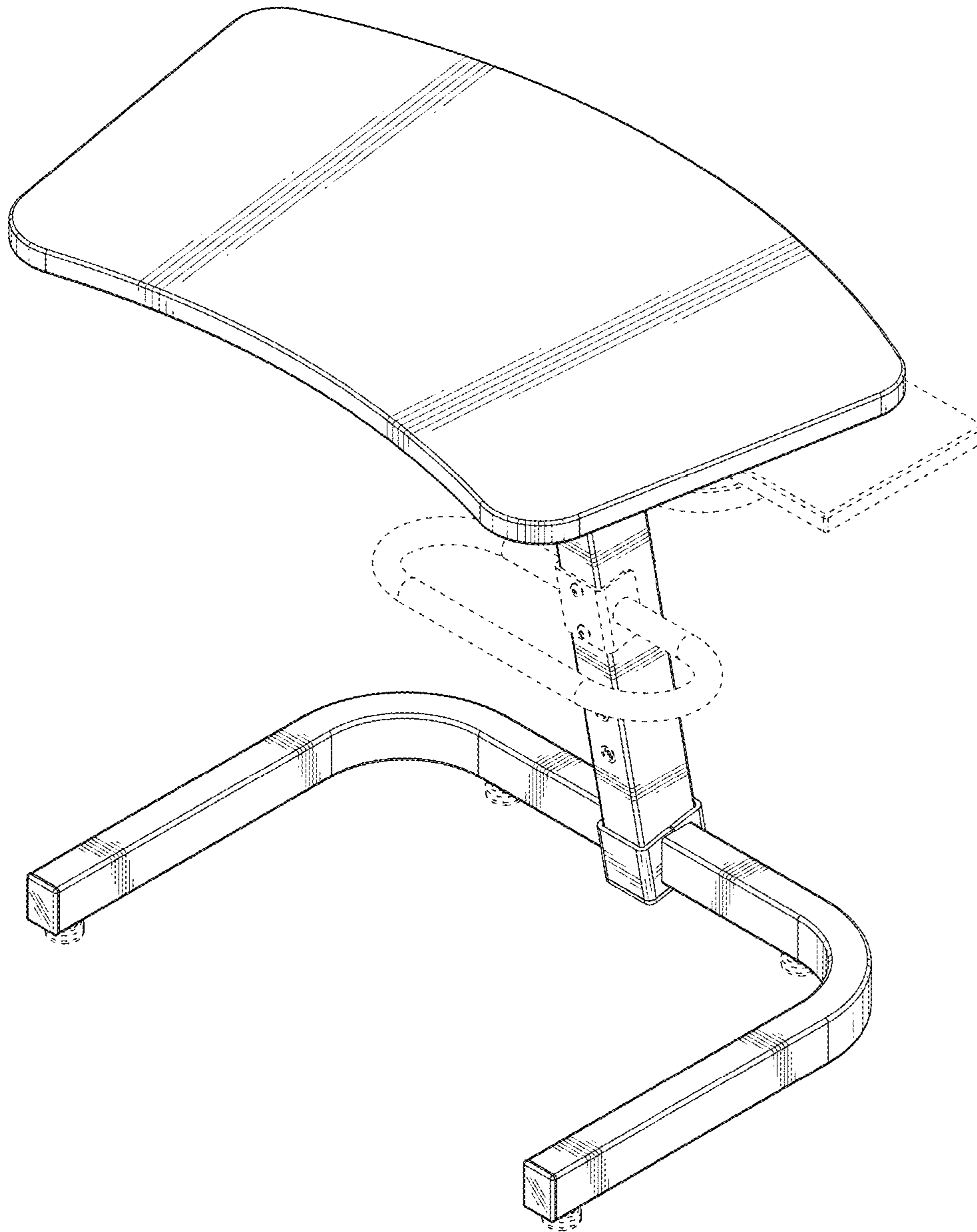
U.S. PATENT DOCUMENTS

OTHER PUBLICATIONS

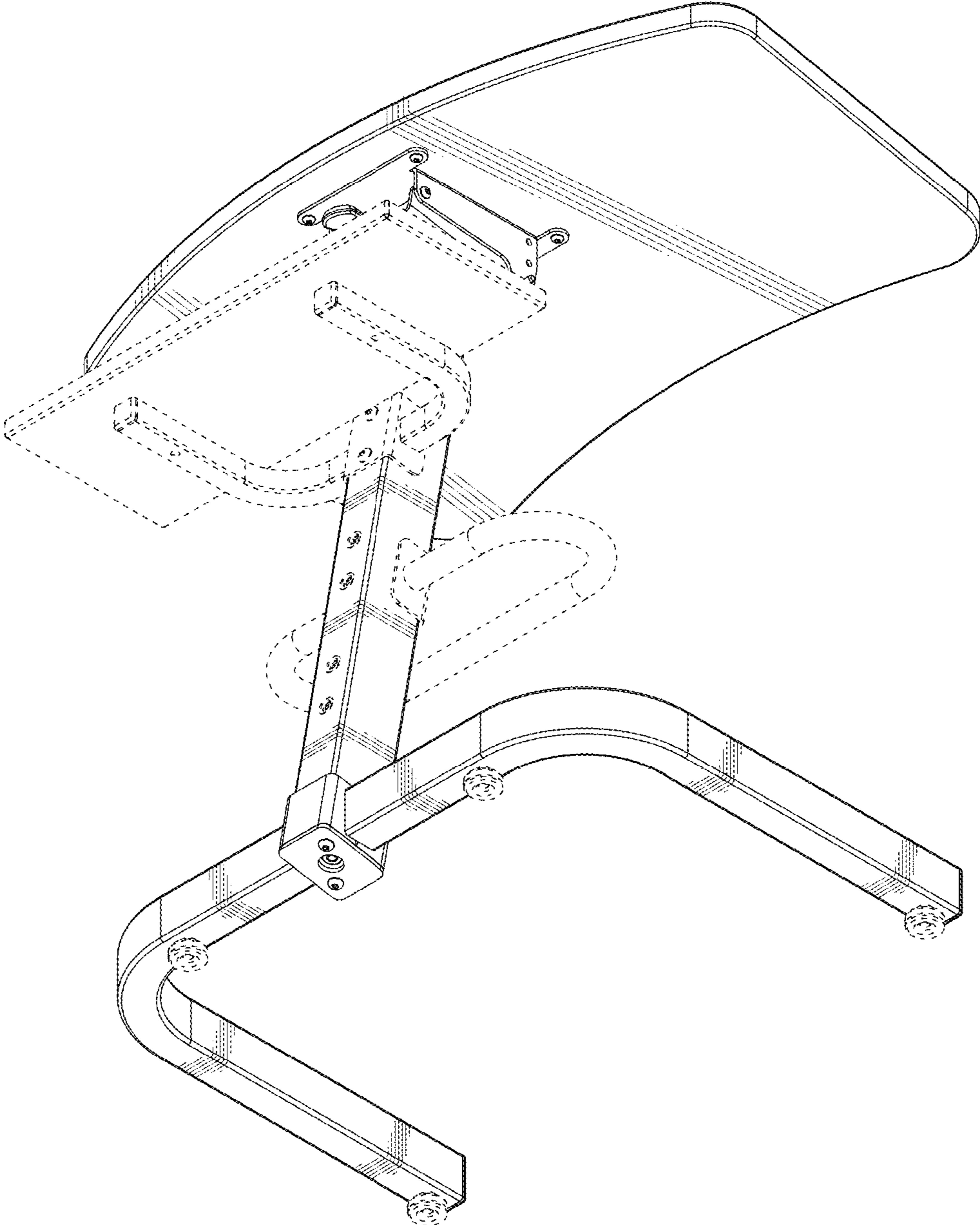
D548,496 S \* 8/2007 Samtani ..... D6/656.13  
D691,840 S \* 10/2013 Copeland ..... D6/656.15  
D694,044 S \* 11/2013 Copeland ..... D6/656.15  
D720,948 S \* 1/2015 Gonzalez ..... D6/656.13  
8,960,104 B2 \* 2/2015 Copeland ..... A47B 3/00  
108/117  
9,149,111 B1 \* 10/2015 Lin ..... A47B 3/0812

Up-Rite Student—Height Adjustable Sit and Stand Desk, printed  
Jun. 15, 2015 from <http://moorecoinc.com/product-view.php?category=standing-desks-928&series=up-rite-student-height-adjustable-standing-desk-e92>.

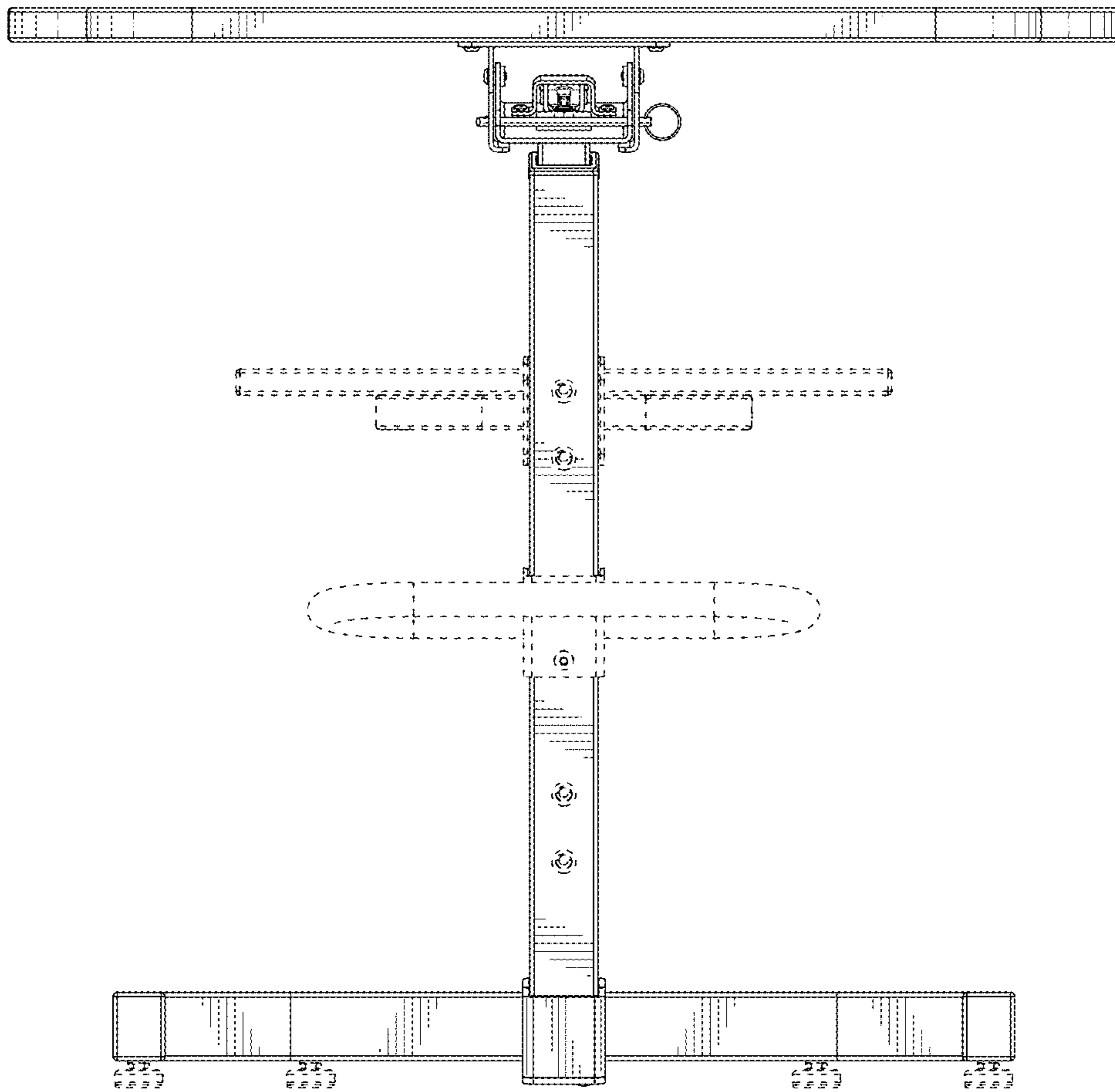
\* cited by examiner



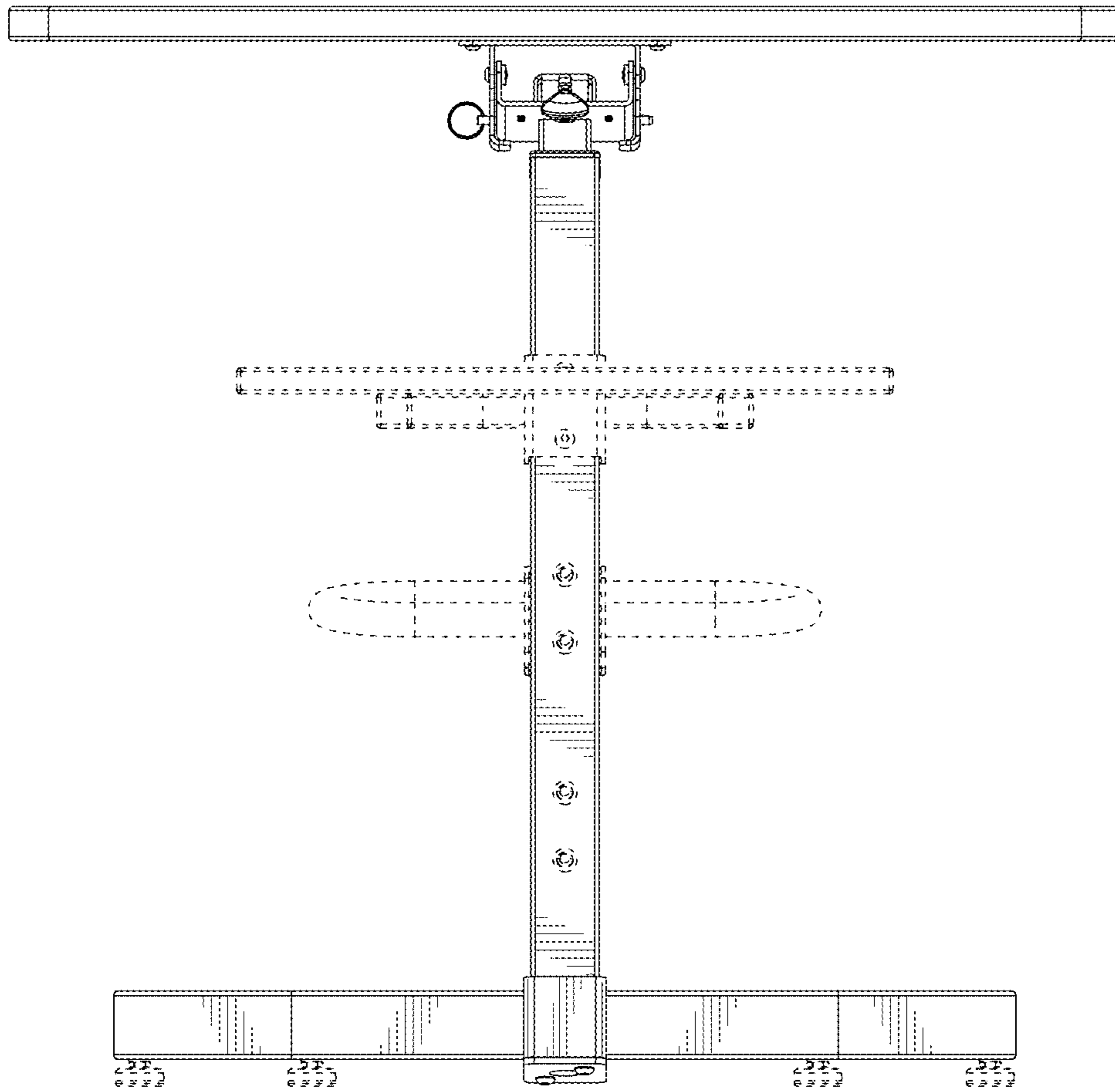
**FIG. 1**



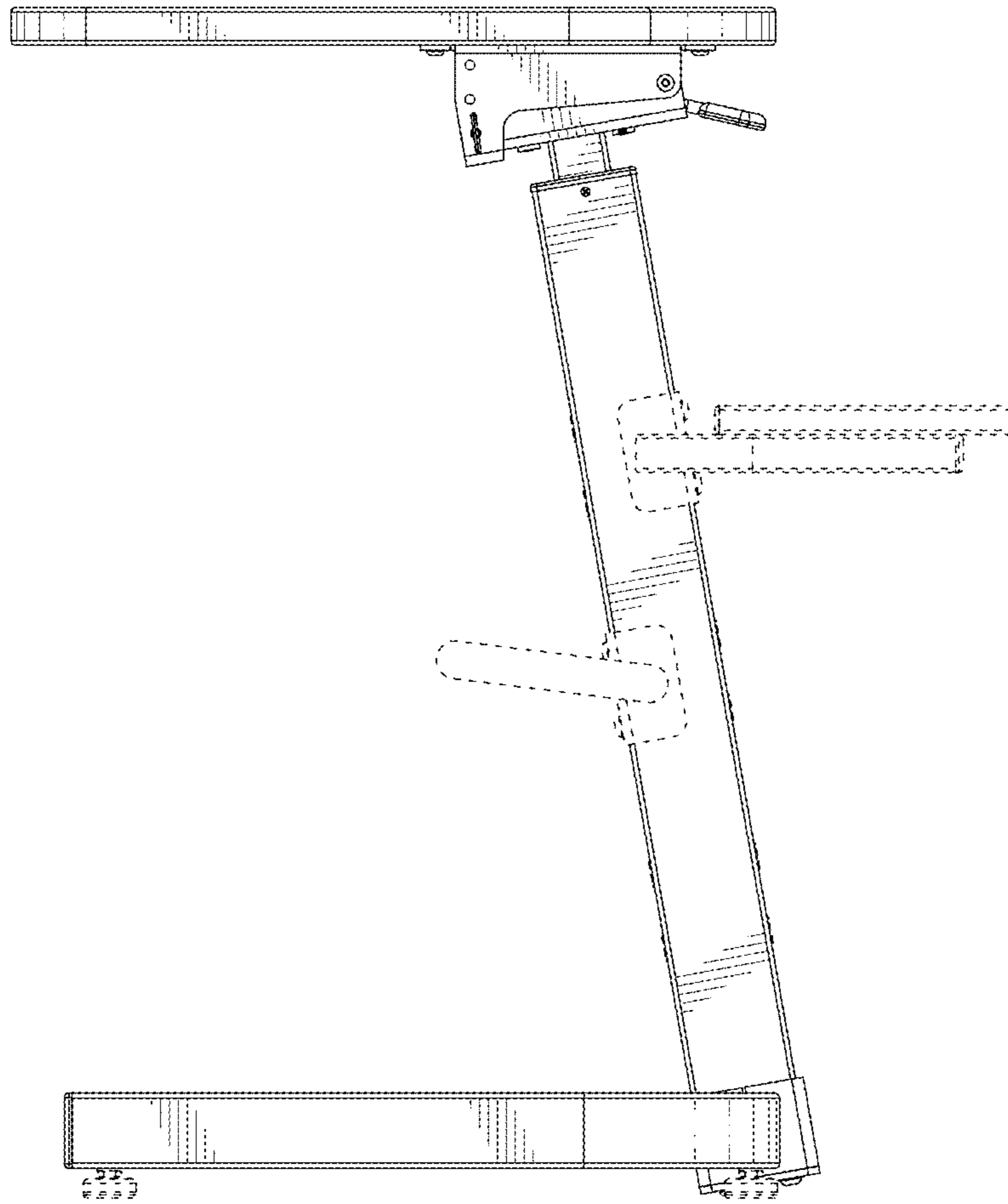
**FIG. 2**



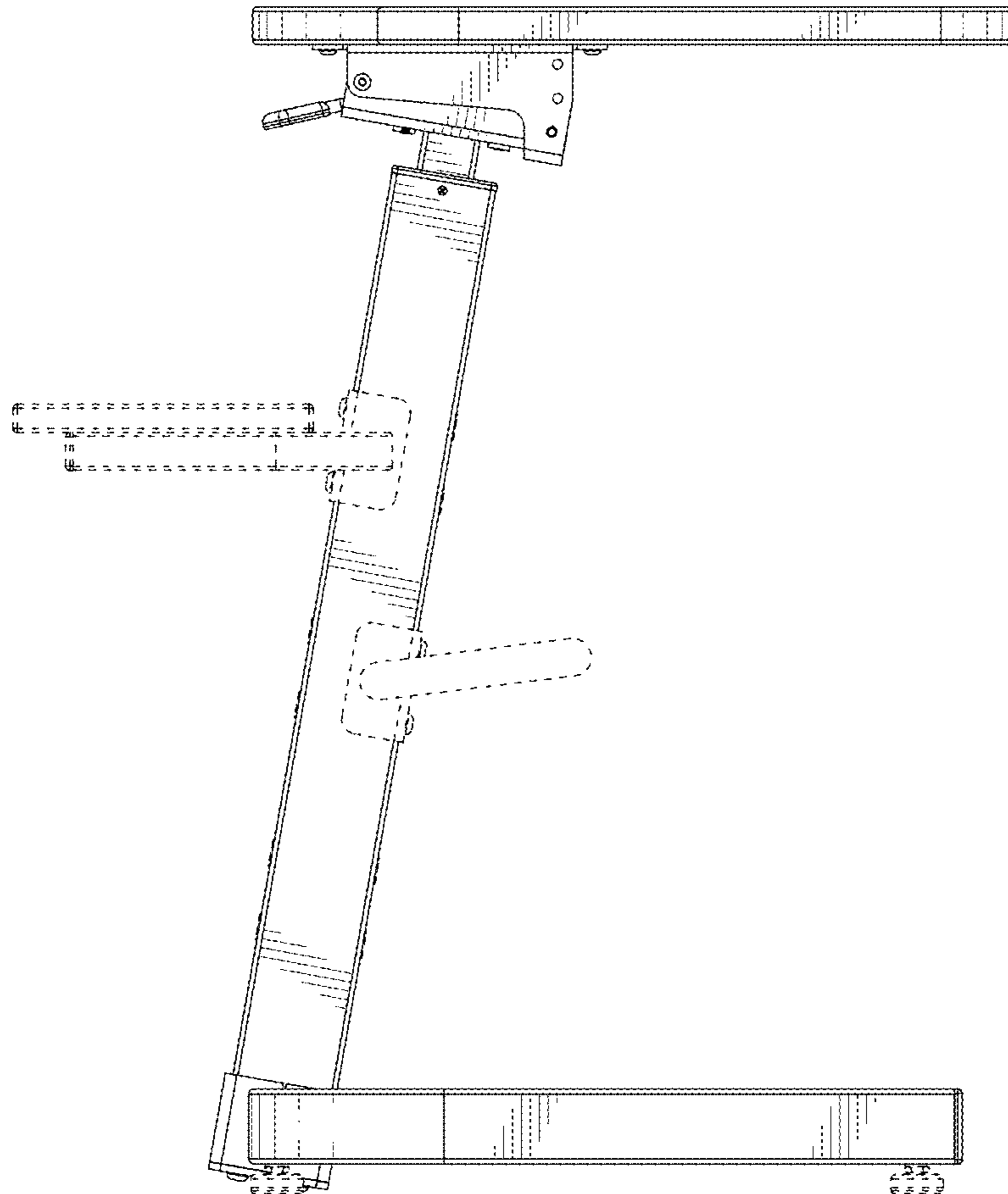
**FIG. 3**



**FIG. 4**

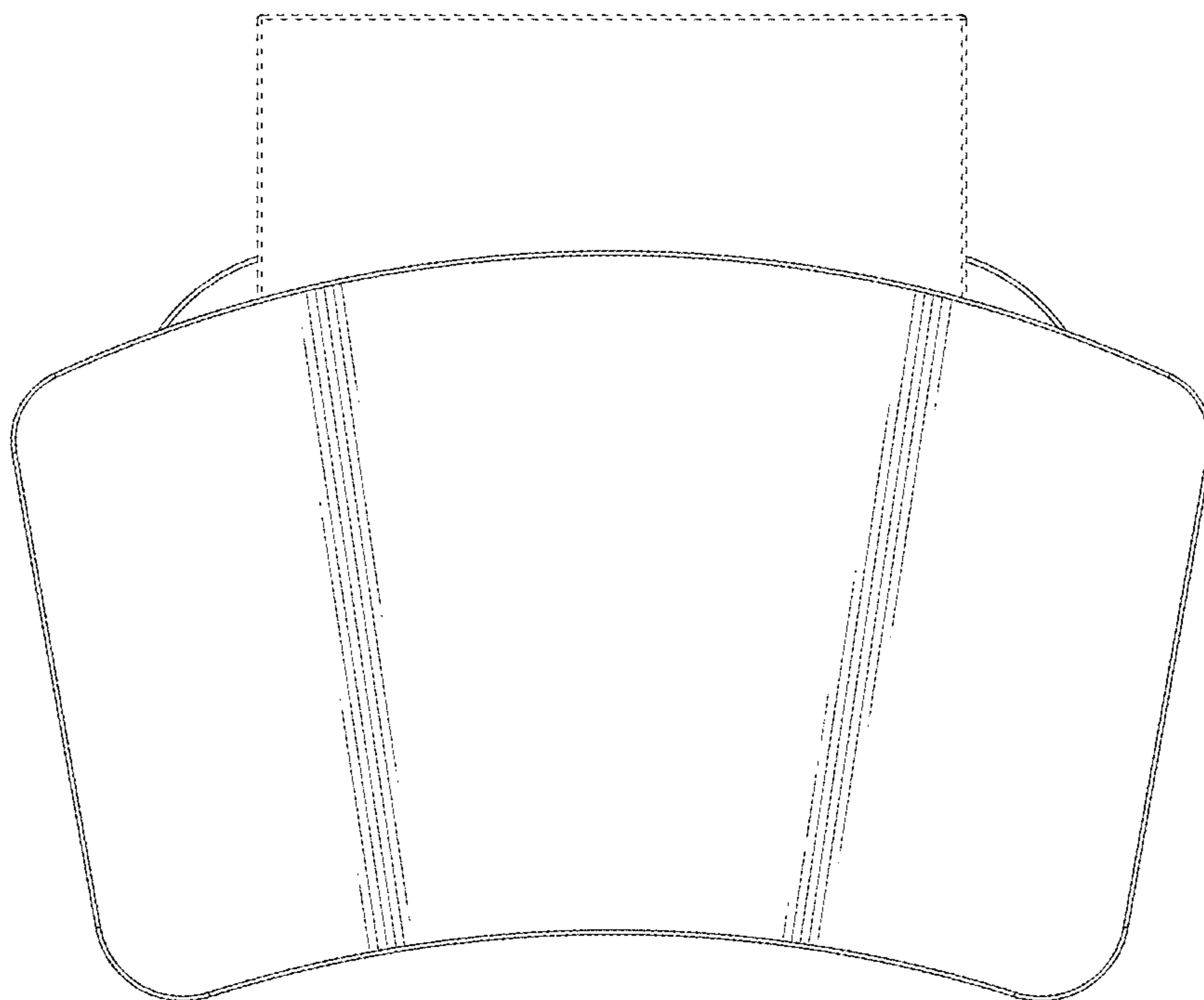


**FIG. 5**

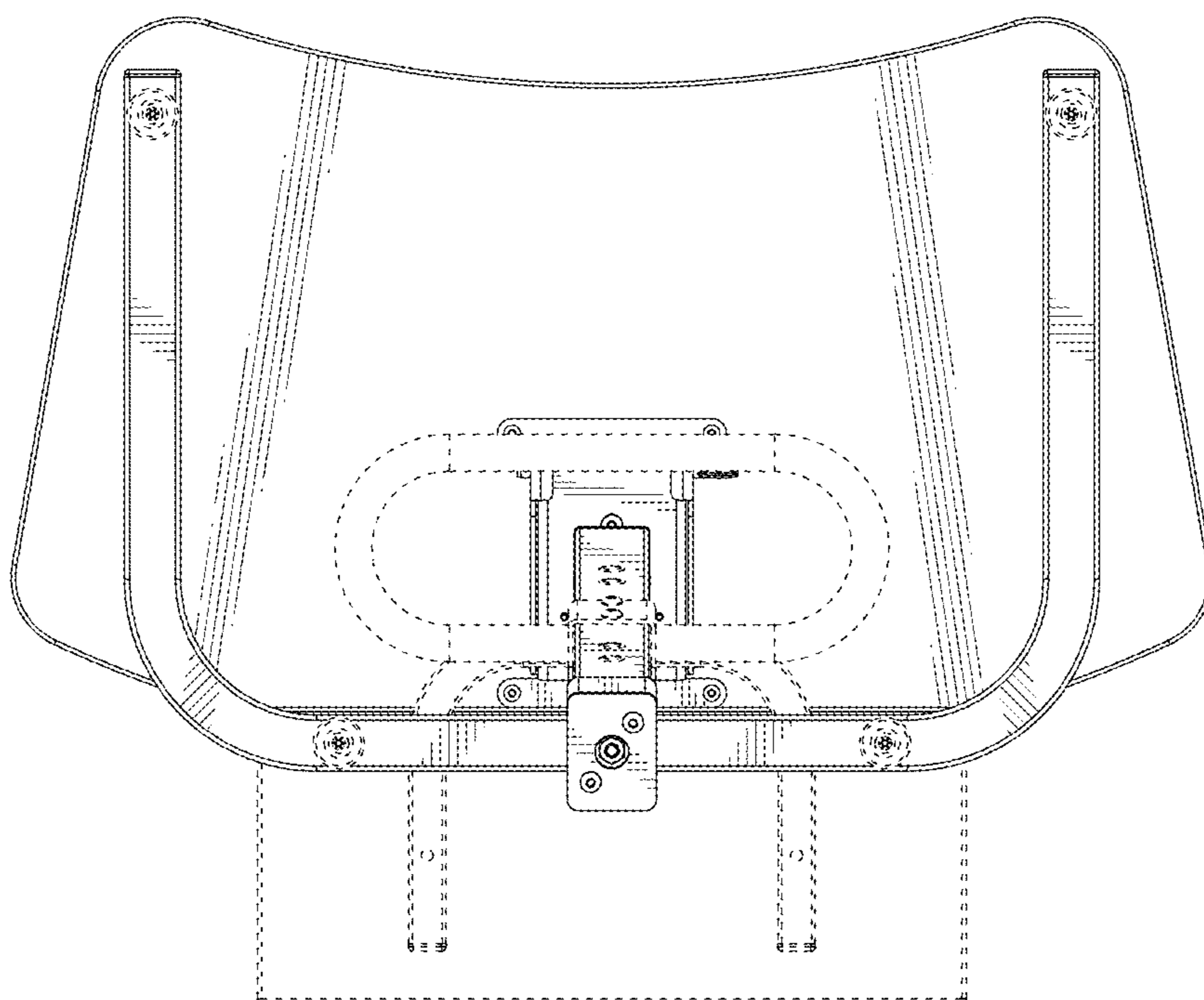


**FIG. 6**

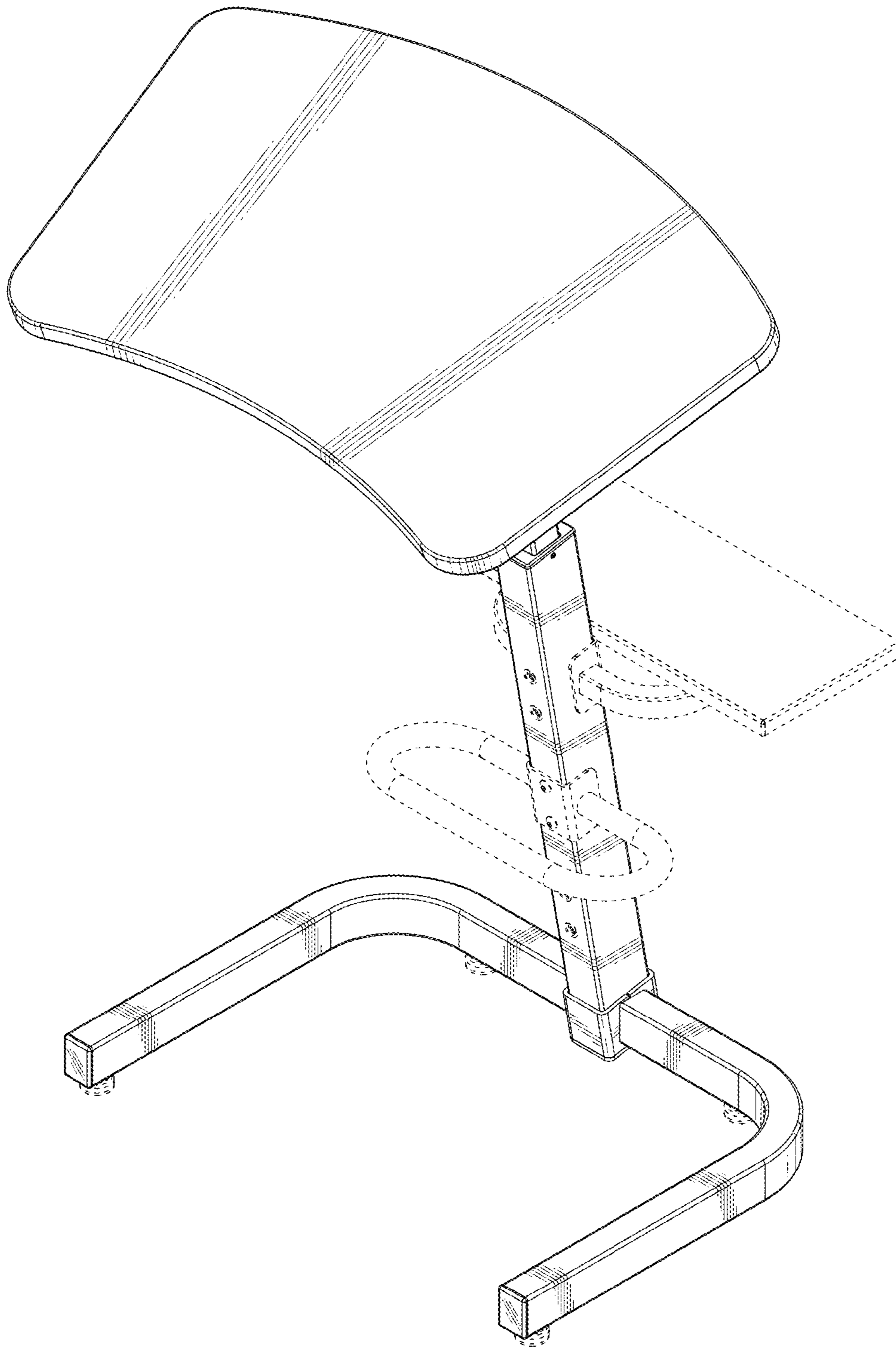




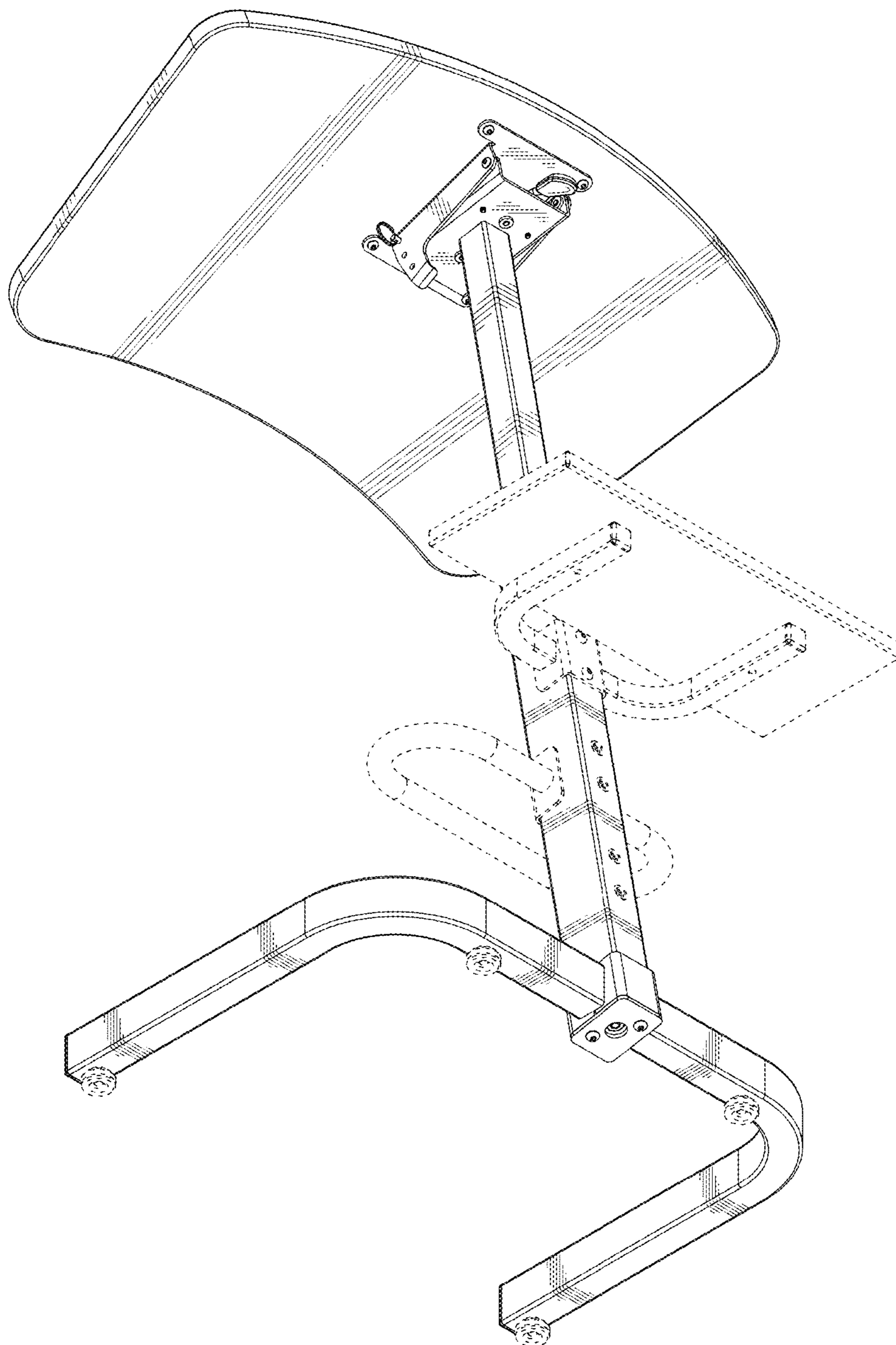
**FIG. 7**



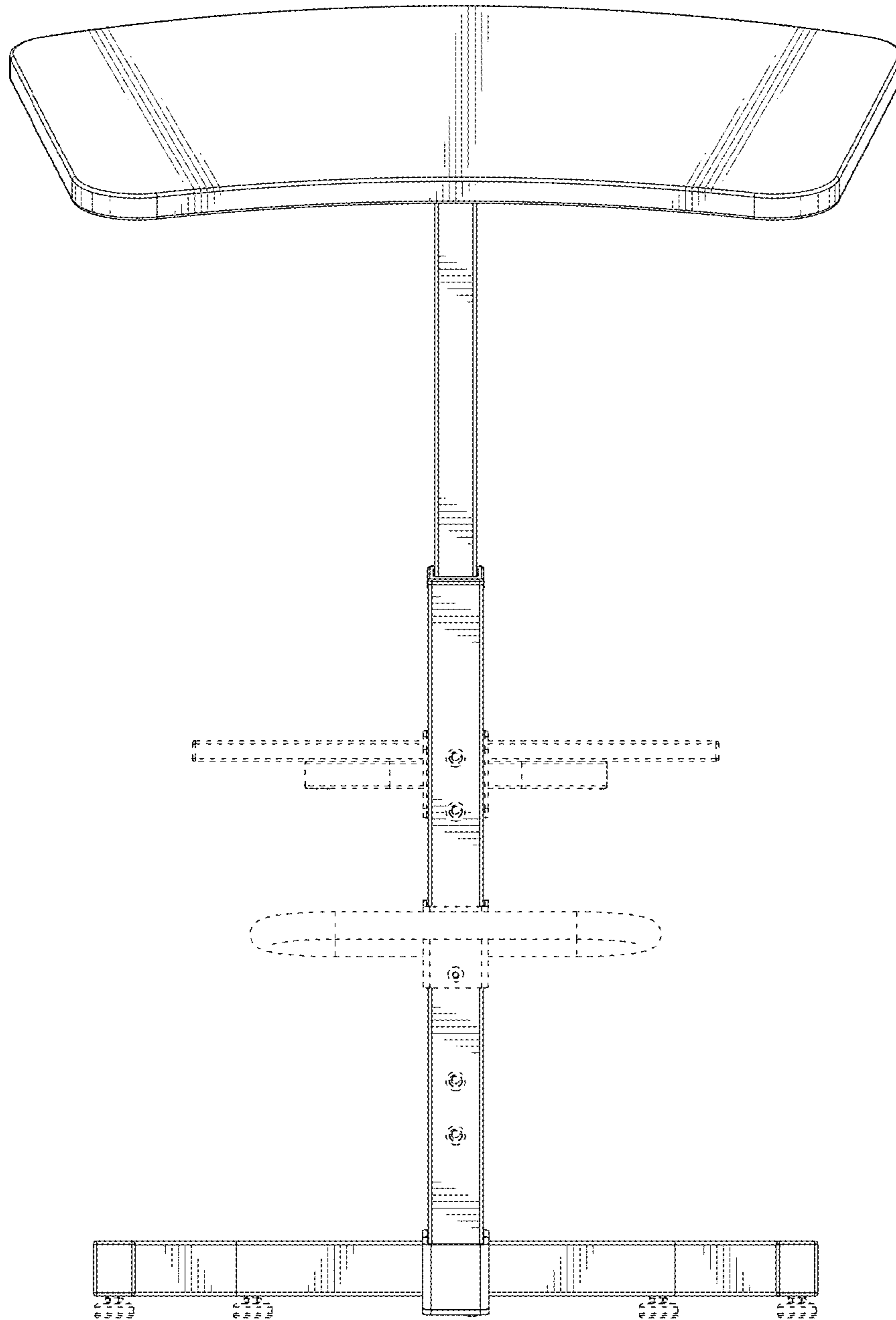
**FIG. 8**



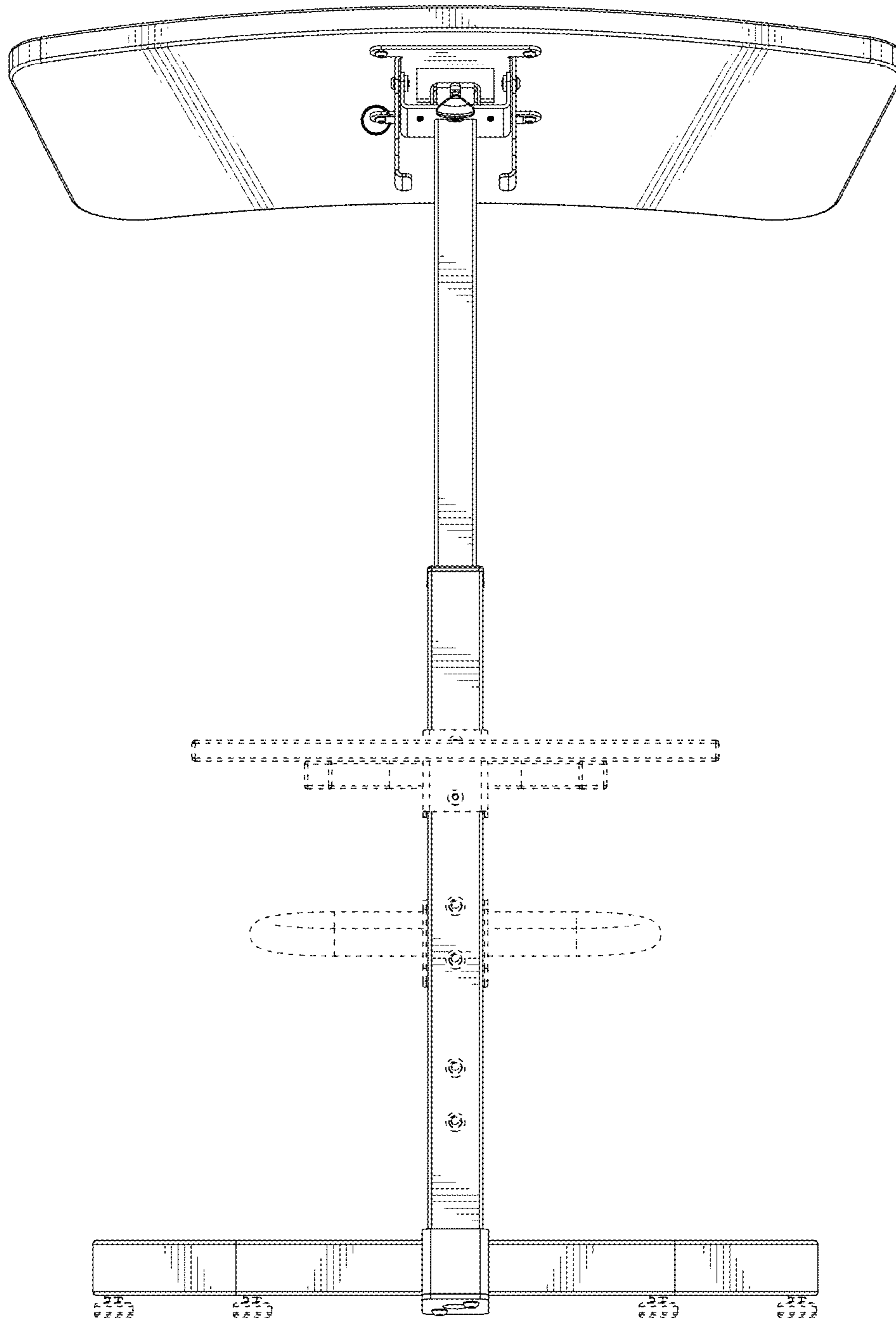
**FIG. 9**



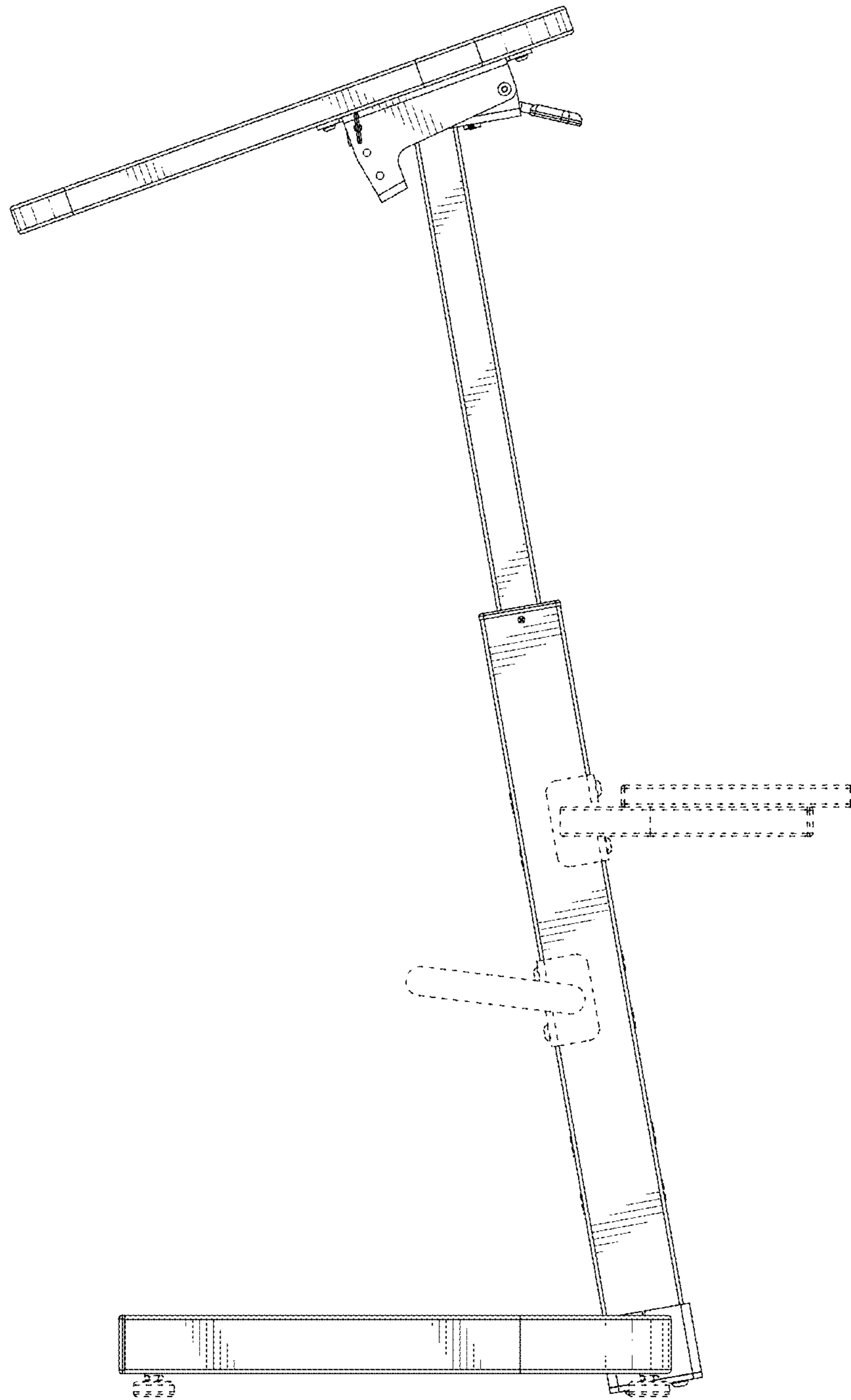
**FIG. 10**



**FIG. 11**



**FIG. 12**



**FIG. 13**

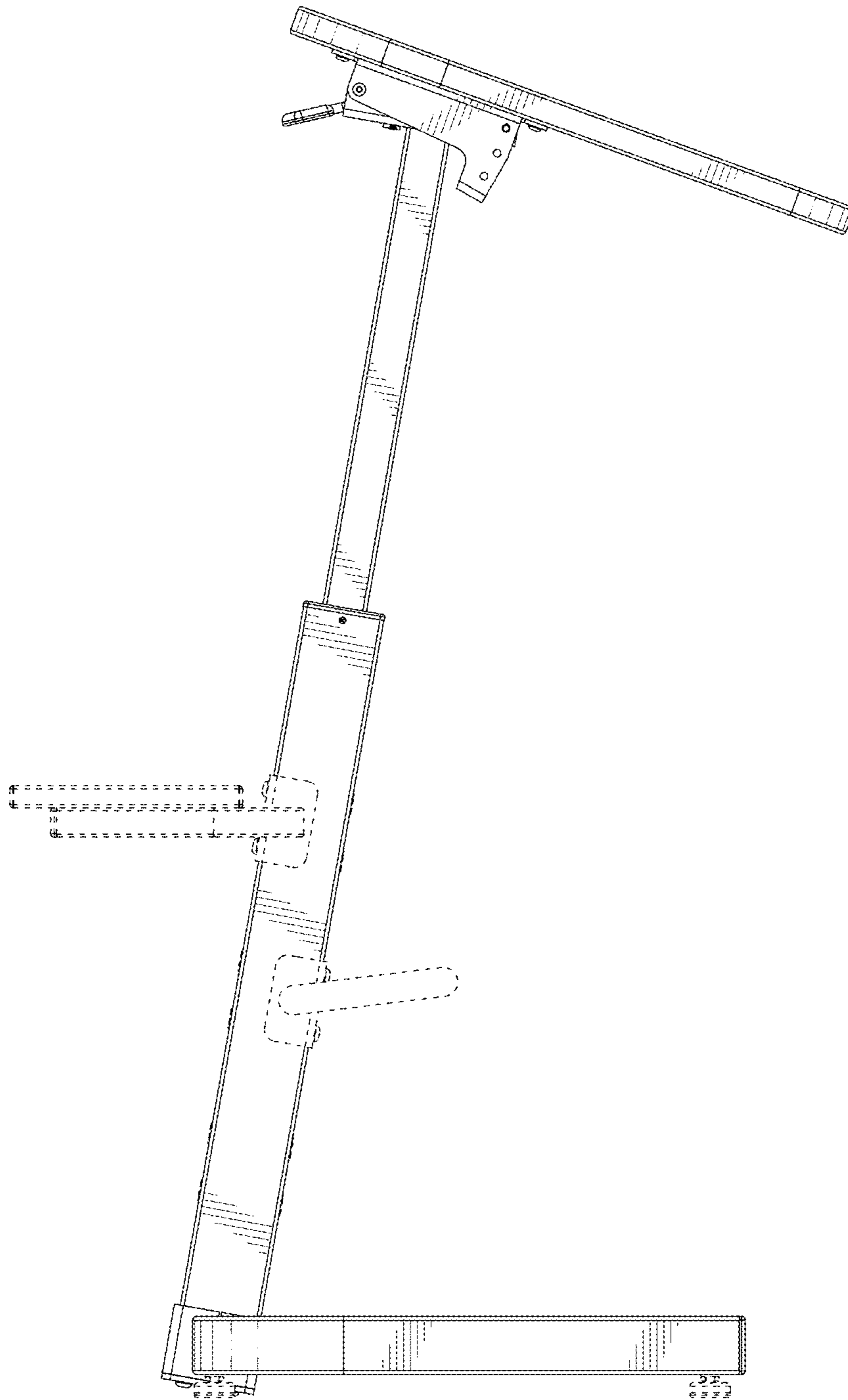
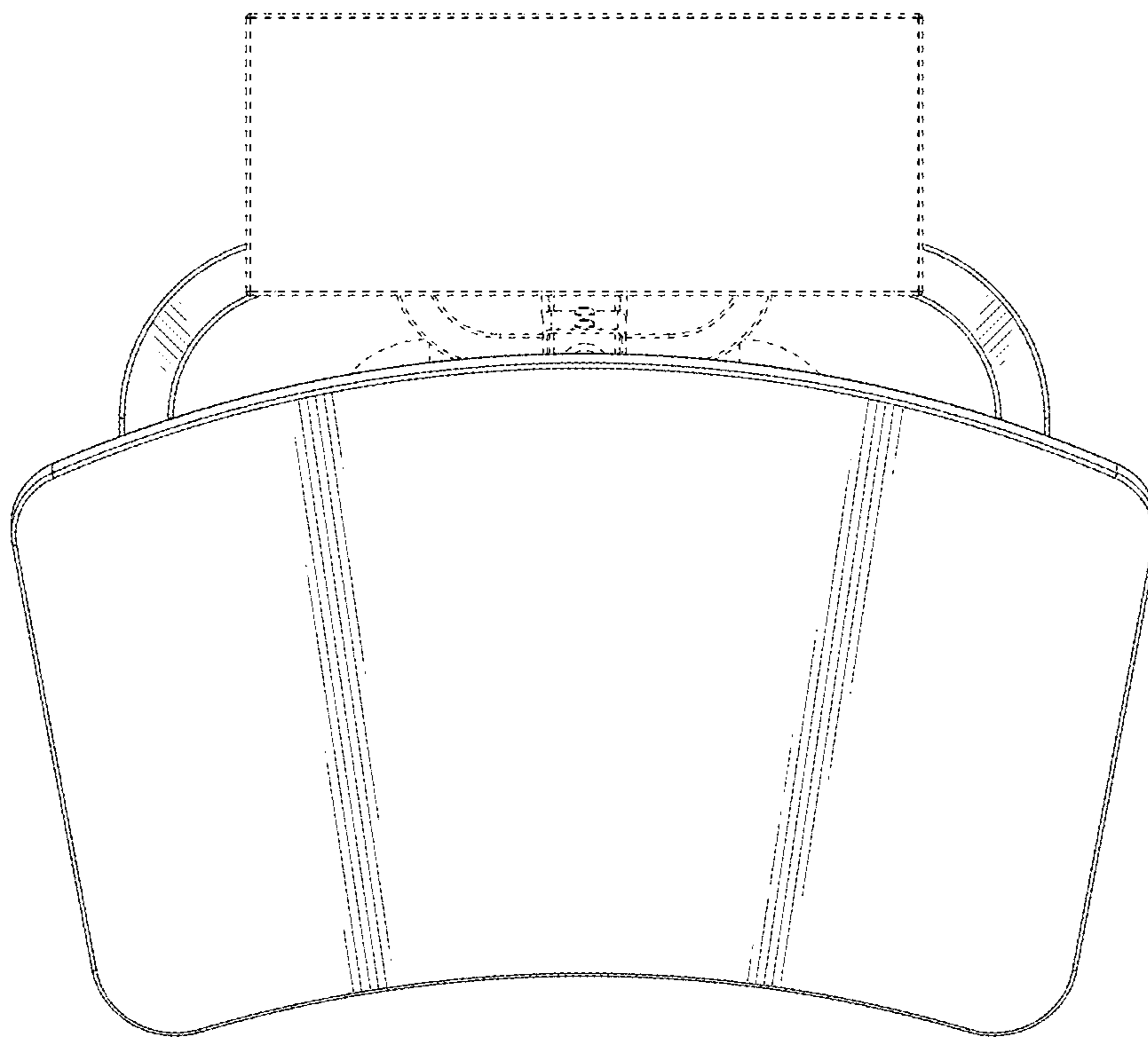
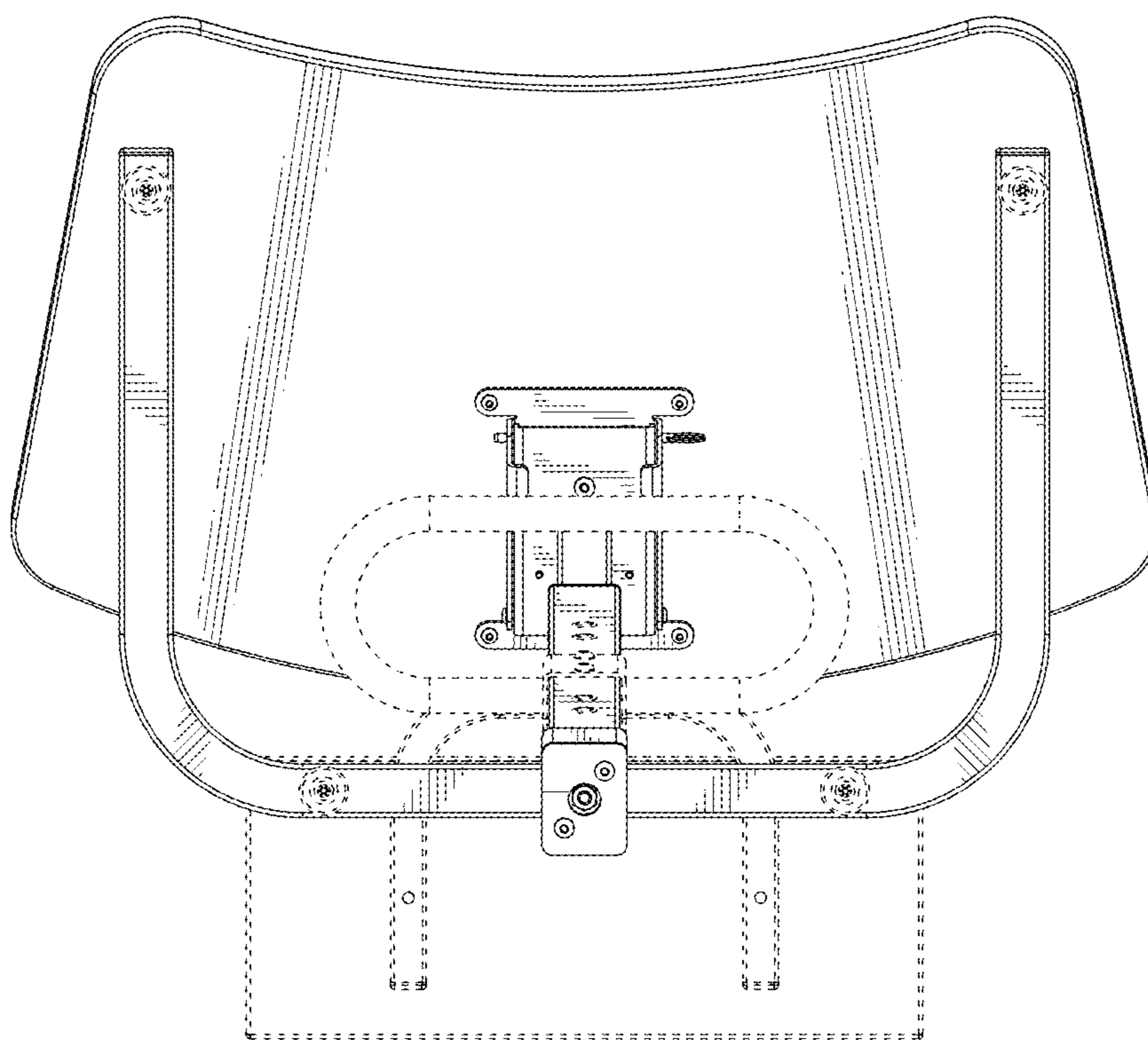


FIG. 14



**FIG. 15**



**FIG. 16**