



US00D770810S

(12) **United States Design Patent** (10) **Patent No.:** **US D770,810 S**
Grove (45) **Date of Patent:** **** Nov. 8, 2016**

(54) **MATTRESS DISPLAY**
(71) Applicant: **COLONIAL, LLC**, High Point, NC (US)
(72) Inventor: **David Morgan Grove**, Greensboro, NC (US)
(73) Assignee: **COLONIAL, LLC**, High Point, NC (US)
(**) Term: **14 Years**
(21) Appl. No.: **29/497,337**
(22) Filed: **Jul. 23, 2014**
(51) **LOC (10) Cl.** **06-13**
(52) **U.S. Cl.**
USPC **D6/606**
(58) **Field of Classification Search**
USPC D6/582, 595, 596, 606, 608, 610, 612,
D6/613, 616; D5/7, 60
CPC A47G 9/02; A47G 9/00; A47G 9/0207;
A47G 9/0223
See application file for complete search history.

(56) **References Cited**
U.S. PATENT DOCUMENTS
D18,811 S * 12/1888 Stimpson D5/7
D19,905 S * 6/1890 House, Jr. D5/7
(Continued)

OTHER PUBLICATIONS
Mattress Foot Runner shown on bed; posting date given in article entitled: Would you spend \$15,000 for a mattress? by Kathy Stewart on Oct. 20, 2013 at 4:23am. Available from Internet at: <URL: <http://wtop.com/news/2013/10/would-you-spend-15000-for-a-mattress/slide/1/.html>>.*

Primary Examiner — Karen S Acker
Assistant Examiner — Alyse Joseph

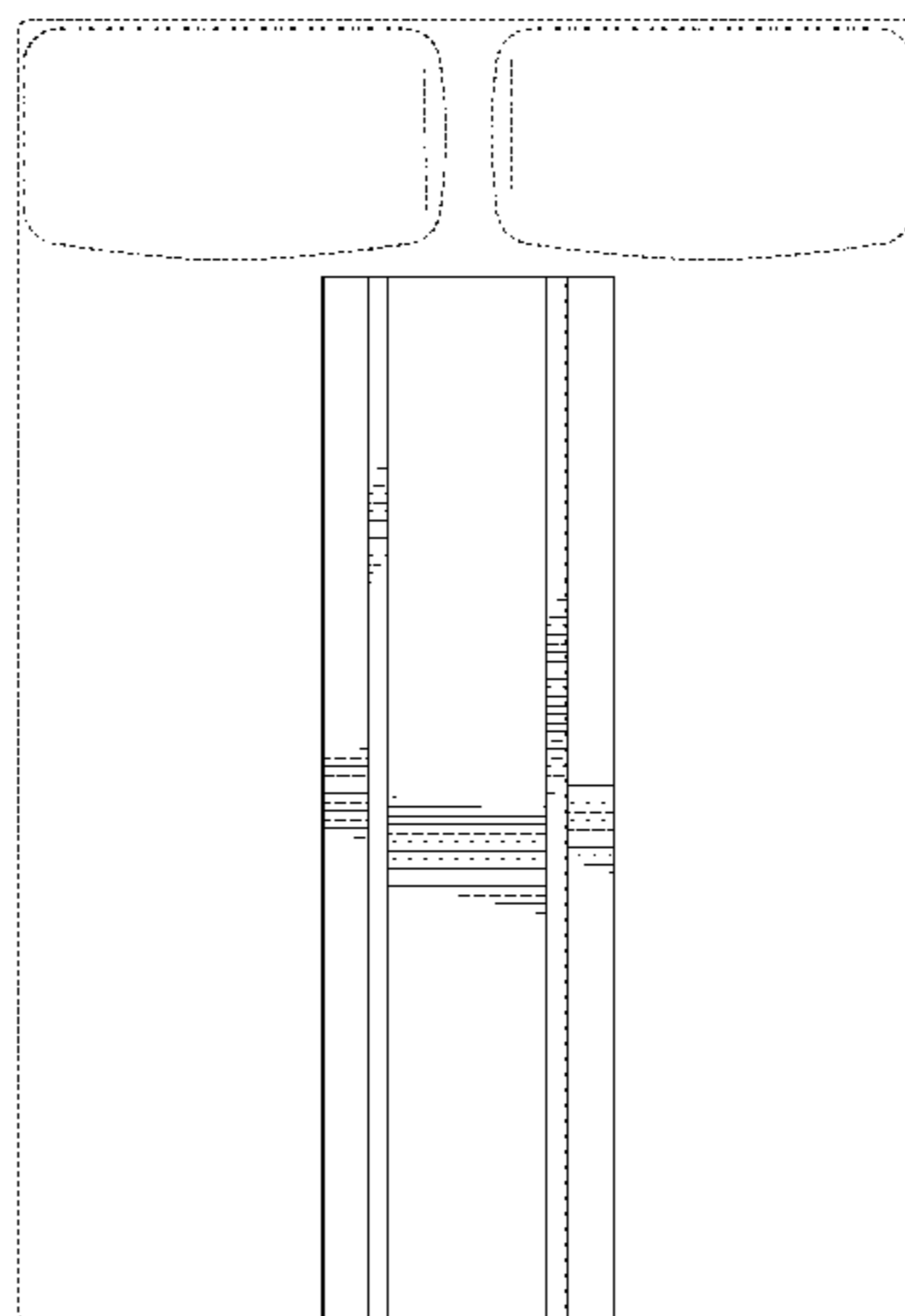
(74) *Attorney, Agent, or Firm* — Moore & Van Allen PLLC; Nicholas C. Russell

(57) **CLAIM**
The ornamental design for a mattress display, as shown and described.

DESCRIPTION

FIG. 1 is a perspective view of a first embodiment of a mattress display arranged in the center of an unclaimed mattress;
FIG. 2 is a front perspective view of the mattress display of FIG. 1;
FIG. 3 is a top view of the mattress display of FIG. 1;
FIG. 4 is a side view of the mattress display of FIG. 1;
FIG. 5 is a front view of the mattress display of FIG. 1;
FIG. 6 is a top, unattached view of the mattress display of FIG. 1;
FIG. 7 is a front perspective view of a second embodiment of a mattress display;
FIG. 8 is a perspective view of the mattress display of FIG. 7;
FIG. 9 is a top view of the mattress display of FIG. 7;
FIG. 10 is a side view of the mattress display of FIG. 7;
FIG. 11 is a front view of the mattress display of FIG. 7;
FIG. 12 is a perspective view of the mattress display of FIG. 1 arranged on the right side of an unclaimed bed;
FIG. 13 is a front perspective view of the mattress display of FIG. 12;
FIG. 14 is a top view of the mattress display of FIG. 12;
FIG. 15 is a side view of the mattress display of FIG. 12;
FIG. 16 is a front view of the mattress display of FIG. 12;
FIG. 17 is a perspective view of the mattress display of FIG. 1 arranged on the left side of the unclaimed bed;
FIG. 18 is a front perspective view of the mattress display of FIG. 17;
FIG. 19 is a top view of the mattress display of FIG. 17;
FIG. 20 is a side view of the mattress display of FIG. 17; and
FIG. 21 is a front view of the mattress display of FIG. 17. The broken line in the drawings depict environmental subject matter included to show the design in a position of use and form no part of the claimed design. The broken lines shown within the boundaries of the article in FIGS. 7-9 depict portions of the mattress display that form no part of the claimed design.

1 Claim, 17 Drawing Sheets



(56)

References Cited

U.S. PATENT DOCUMENTS

D46,372 S * 9/1914 Smith D5/60
 D67,338 S * 5/1925 Cocking D5/60
 D86,644 S * 3/1932 Searles D16/330
 D111,936 S * 10/1938 Megibow D5/60
 D117,343 S * 10/1939 Huizing D5/7
 D118,120 S * 12/1939 Kaplan D5/60
 D125,523 S * 2/1941 Oakley D6/583
 2,527,258 A 10/1950 Kahn
 D207,763 S * 5/1967 Broderick D5/60
 D216,656 S * 2/1970 Horwich D25/160
 4,021,869 A * 5/1977 Root A47G 9/0246
 5/485
 4,587,683 A 5/1986 Gardiner
 5,497,521 A * 3/1996 Waits A47G 9/02
 2/69.5
 5,782,408 A * 7/1998 Carter A61L 9/12
 239/34
 D397,555 S * 9/1998 Nestegard D5/60
 5,943,698 A 8/1999 Blanks
 6,014,782 A 1/2000 Stevenson
 D422,708 S * 4/2000 Walker D24/189
 6,115,948 A 9/2000 Mitchell
 6,216,292 B1 * 4/2001 Oakhill A47C 27/008
 5/482
 D479,084 S * 9/2003 Tweel D6/617

6,845,532 B1 * 1/2005 Rosenblum A47C 27/008
 40/661
 7,681,345 B2 3/2010 Suprina
 D655,556 S * 3/2012 Isom-Morris D6/596
 D655,965 S * 3/2012 Schachte D6/606
 8,230,537 B2 * 7/2012 Stewart A47G 9/0284
 139/383 R
 D699,978 S * 2/2014 Hasta D6/582
 D707,057 S * 6/2014 Hasta D6/582
 D707,984 S * 7/2014 Keever D6/606
 D707,988 S * 7/2014 Brewington D6/608
 8,875,324 B2 * 11/2014 Borgione A47C 31/105
 5/485
 D719,377 S * 12/2014 Keever D6/606
 D719,378 S * 12/2014 Keever D6/606
 D719,765 S * 12/2014 Keever D6/606
 2010/0122413 A1 * 5/2010 McNair A47C 31/00
 5/485
 2010/0146701 A1 * 6/2010 Bhuta A47G 9/0284
 5/502
 2011/0162139 A1 7/2011 Grubb et al.
 2011/0162781 A1 7/2011 Grubb et al.
 2012/0096642 A1 * 4/2012 Hickman A47G 9/0207
 5/482
 2012/0299741 A1 11/2012 Wright, Jr.
 2013/0055601 A1 3/2013 Wright, Jr. et al.
 2013/0055602 A1 3/2013 Wright, Jr. et al.

* cited by examiner

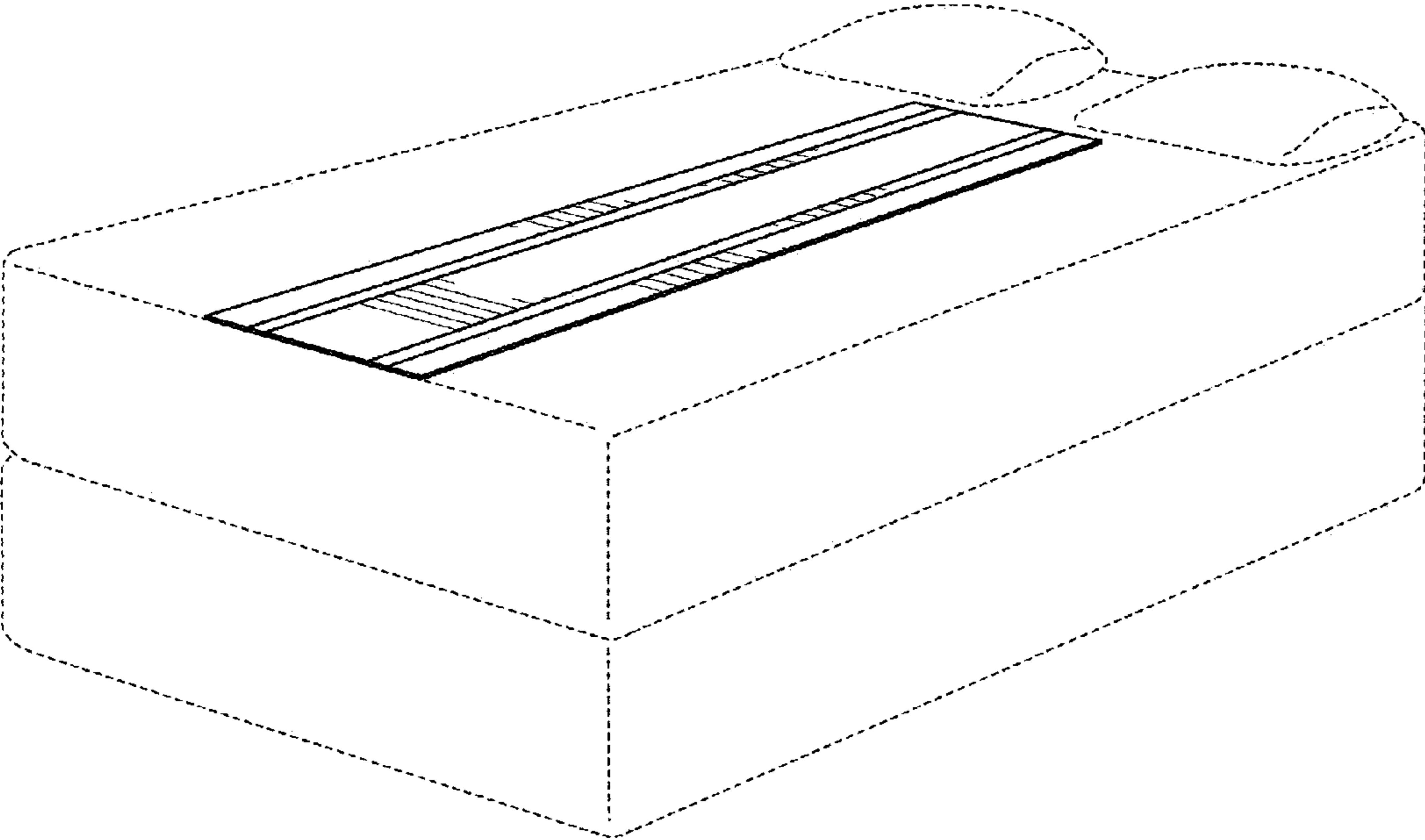


FIG. 1

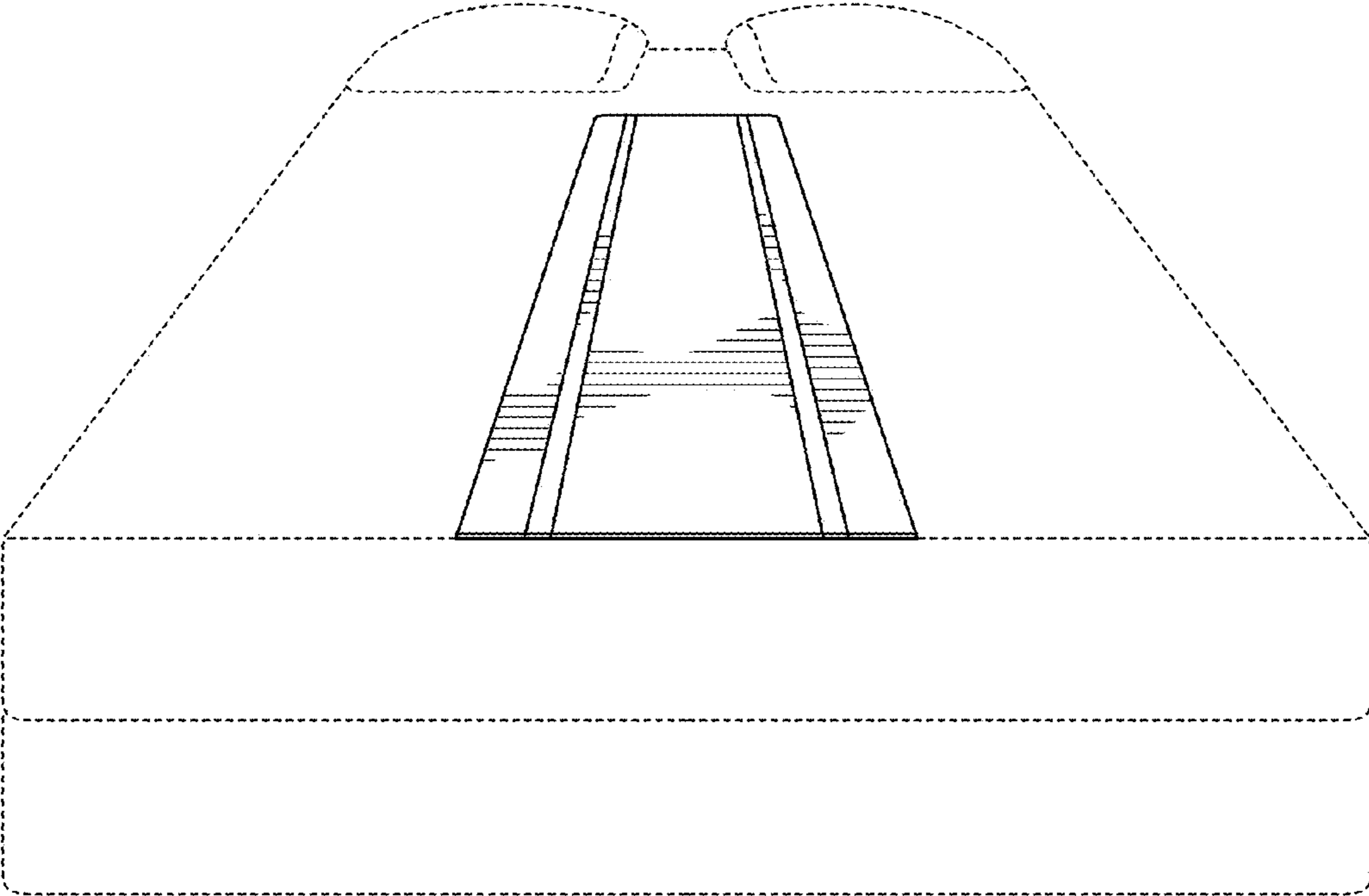


FIG. 2

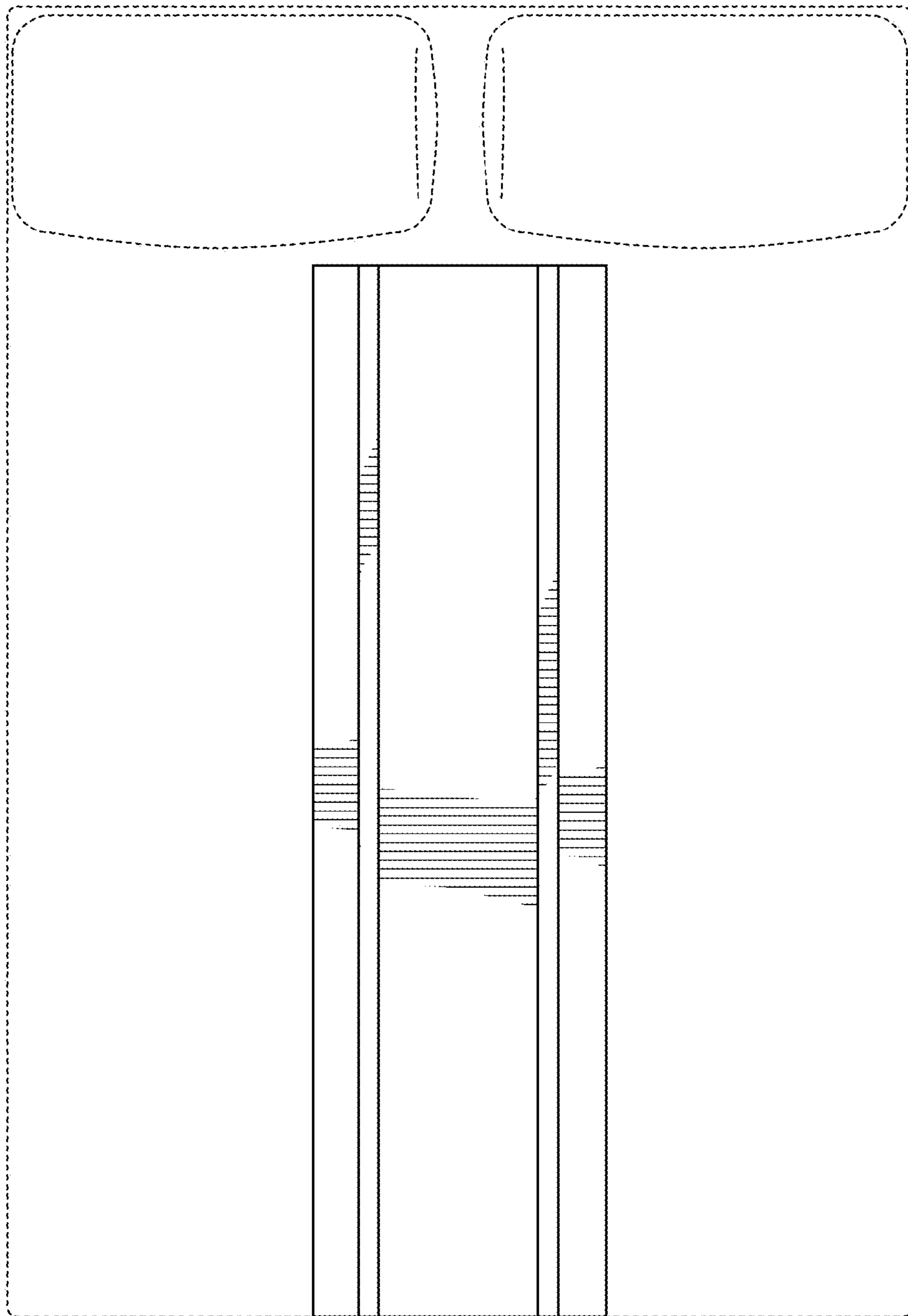


FIG. 3

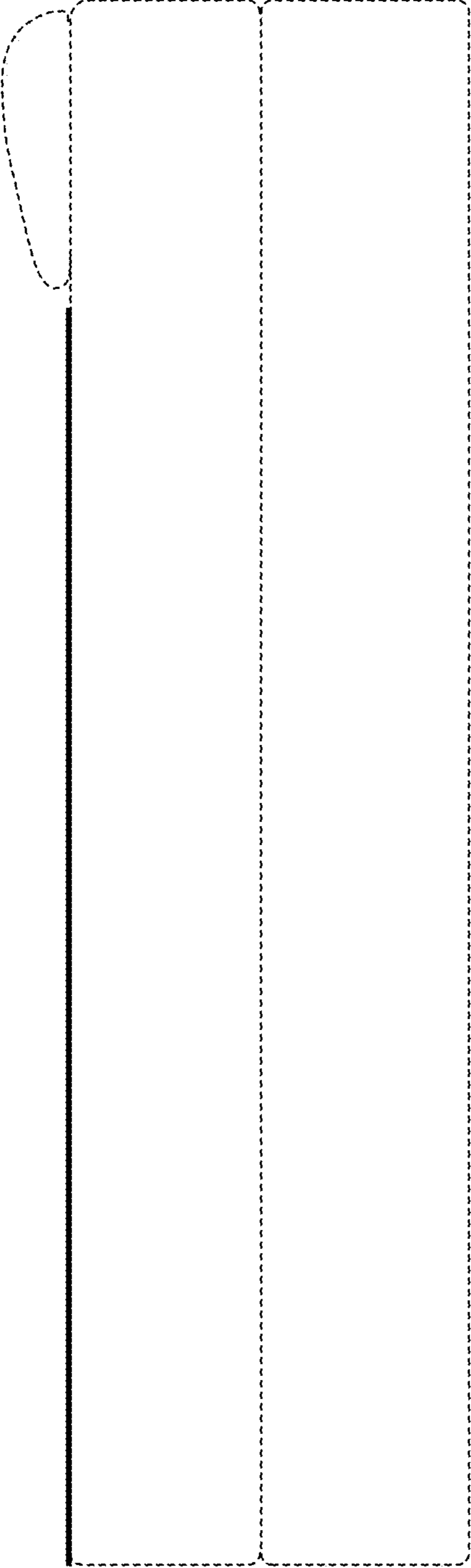


FIG. 4

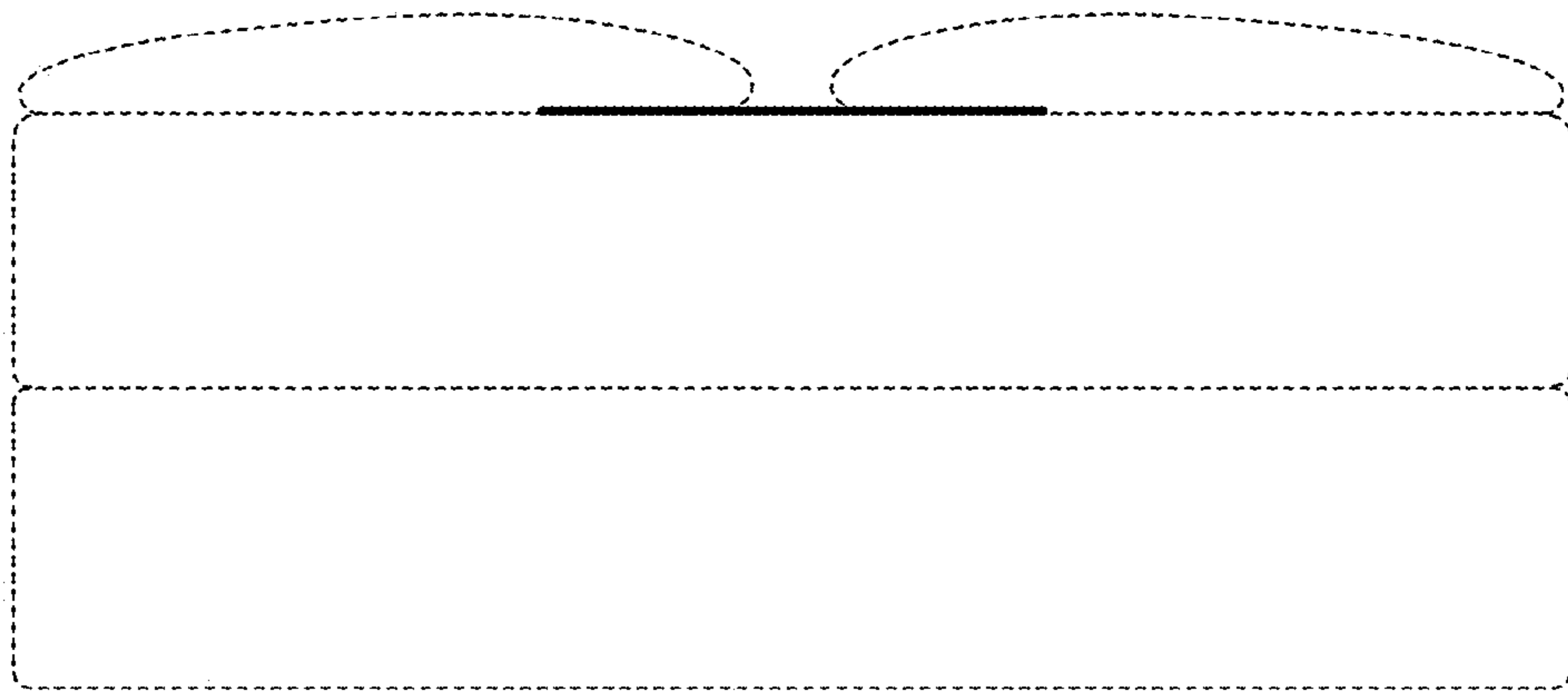


FIG. 5

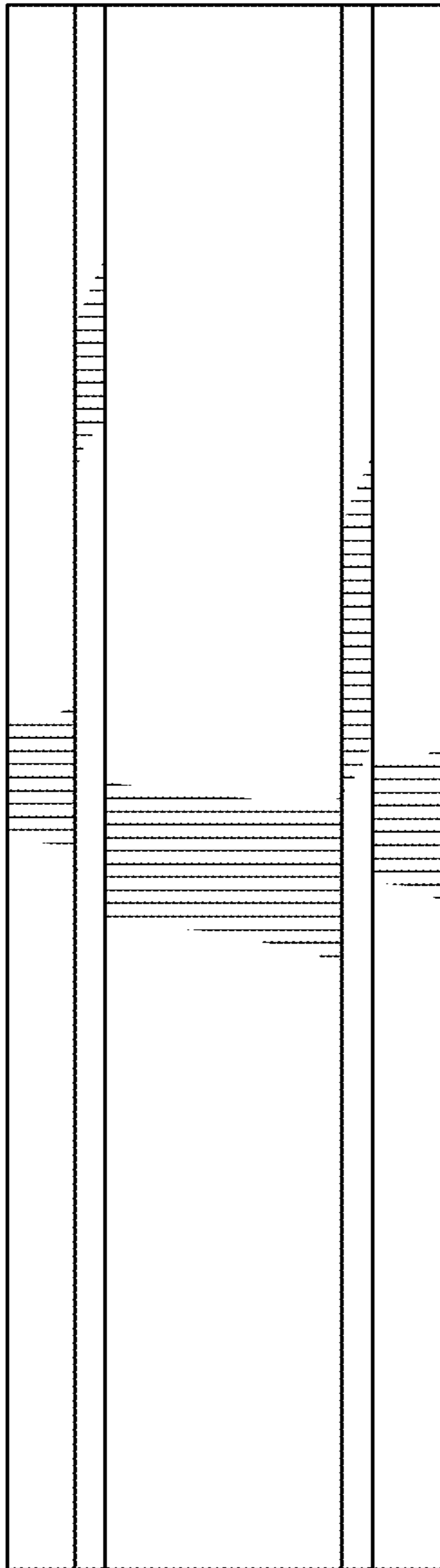


FIG. 6

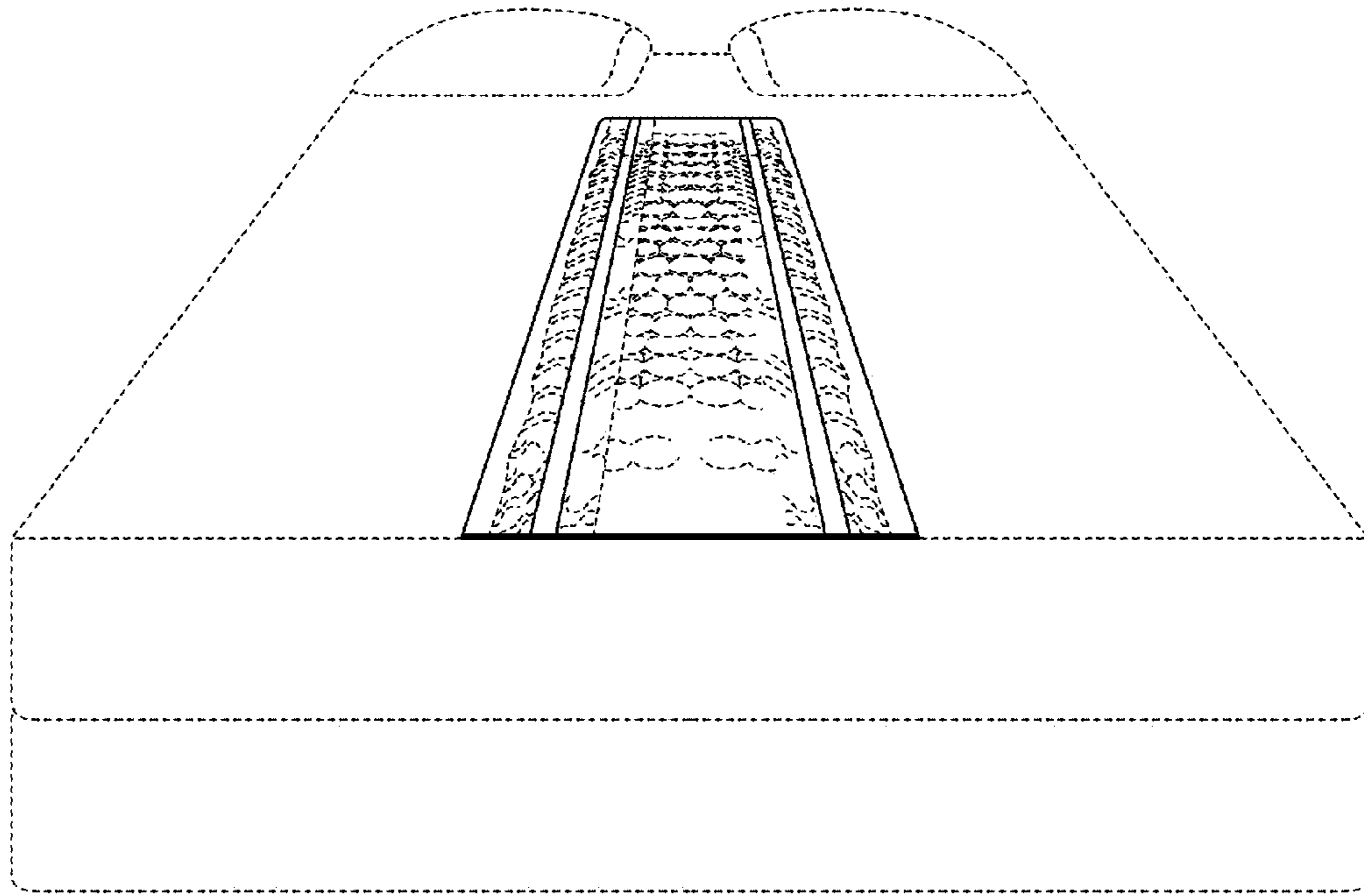


FIG. 7

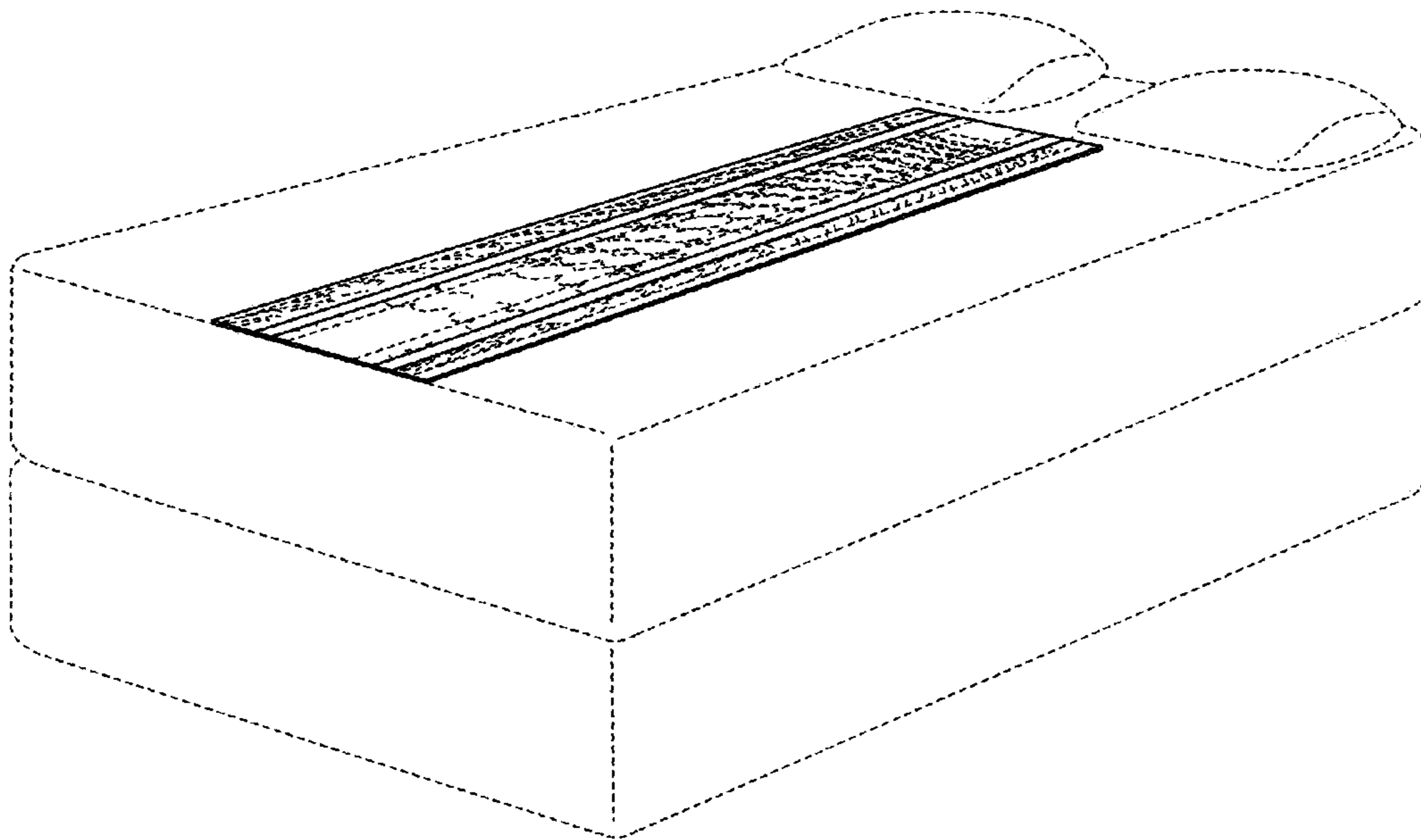


FIG. 8

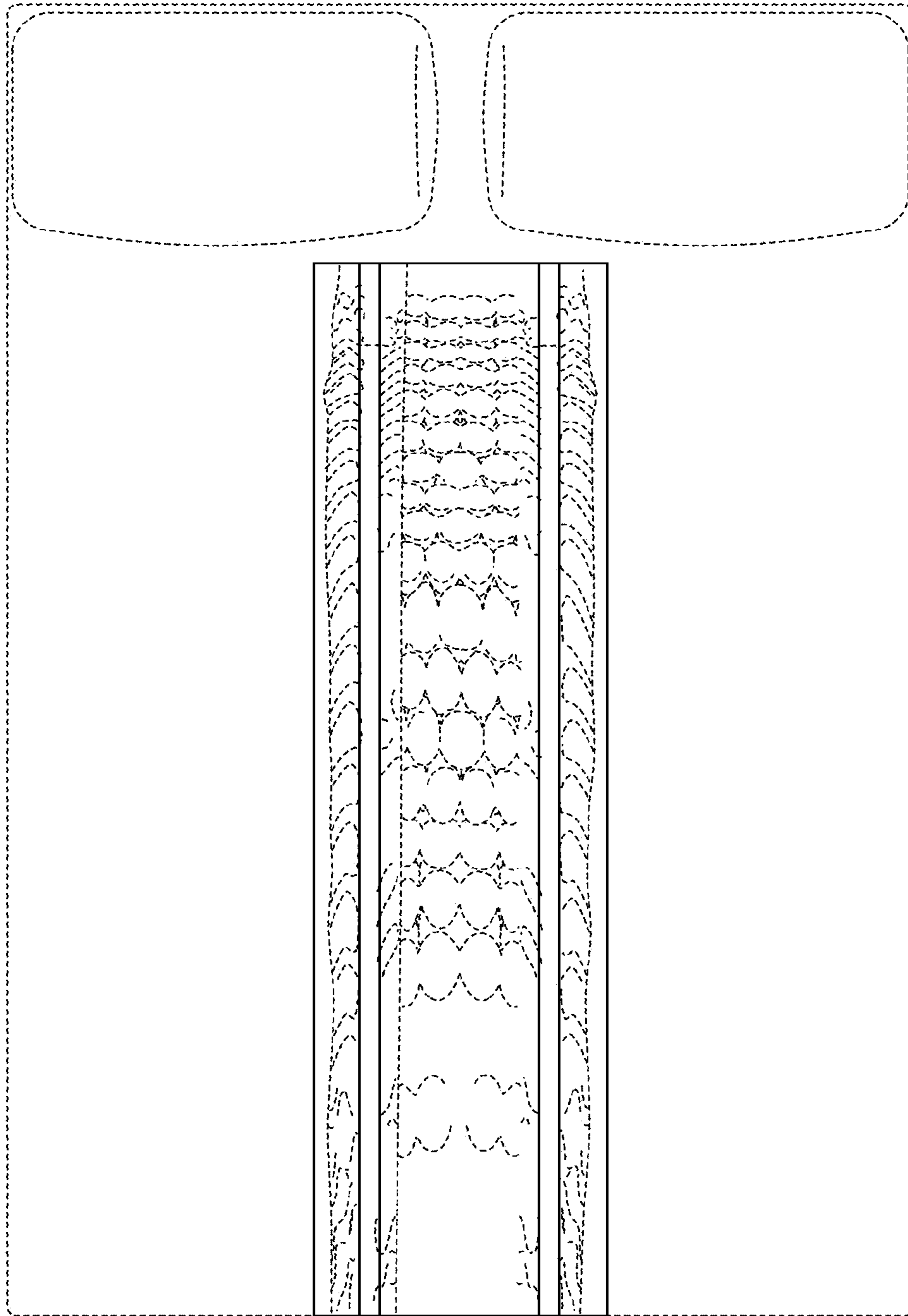


FIG. 9

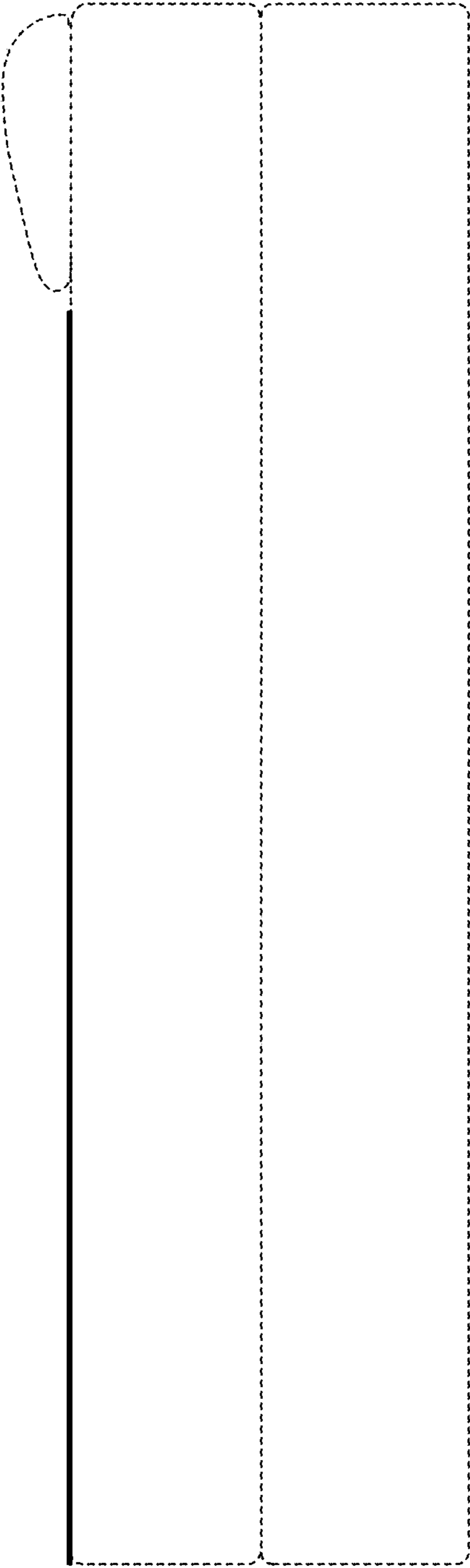


FIG. 10

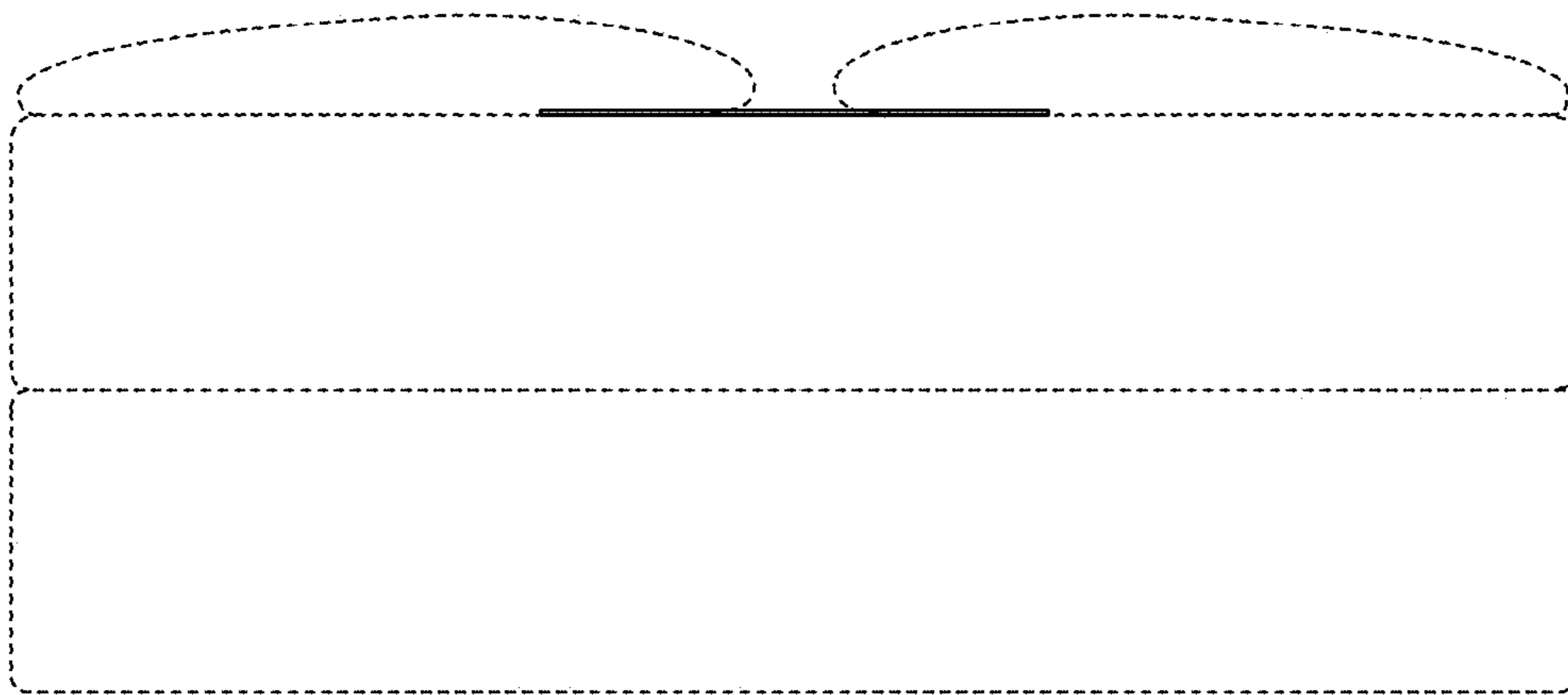


FIG. 11

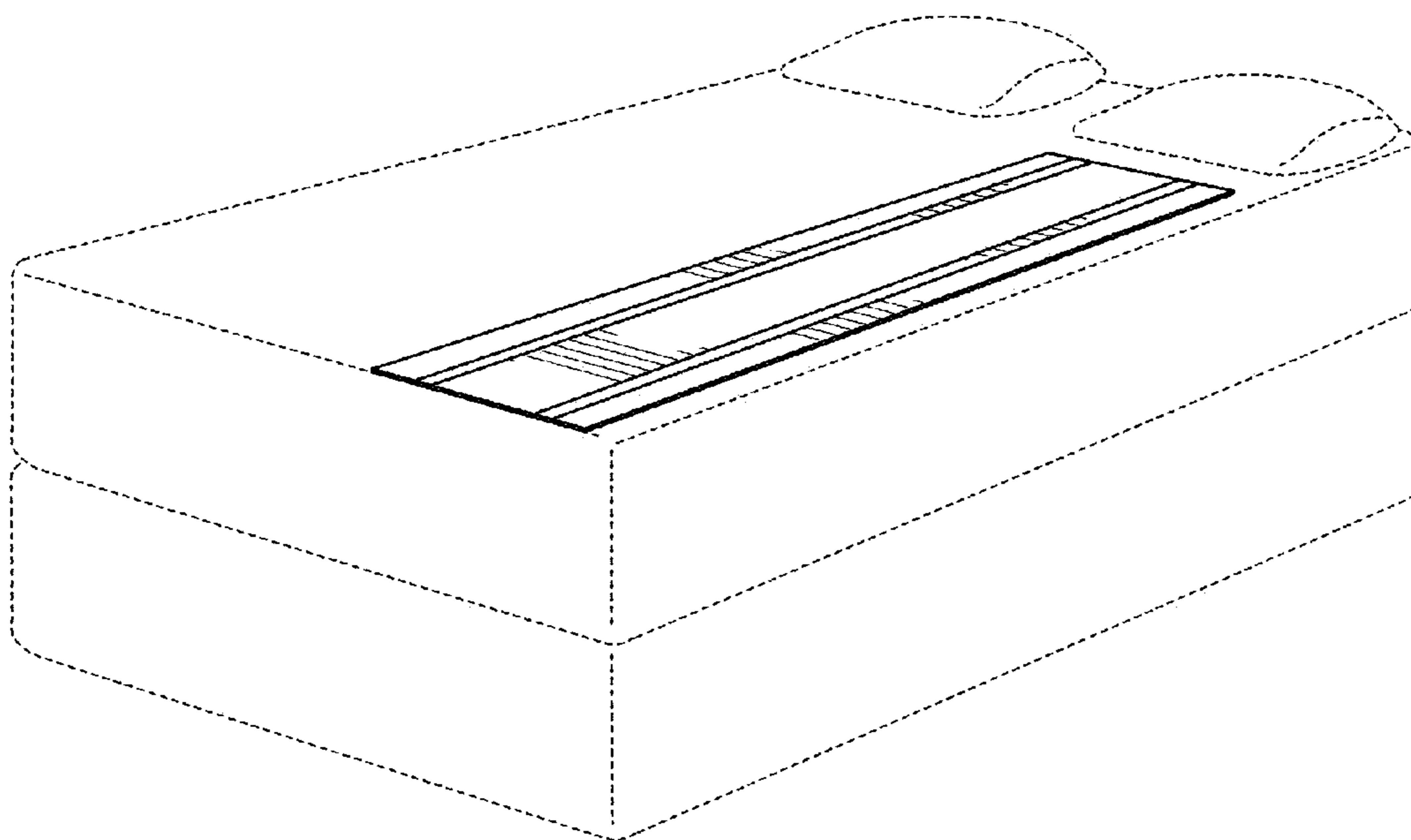


FIG. 12

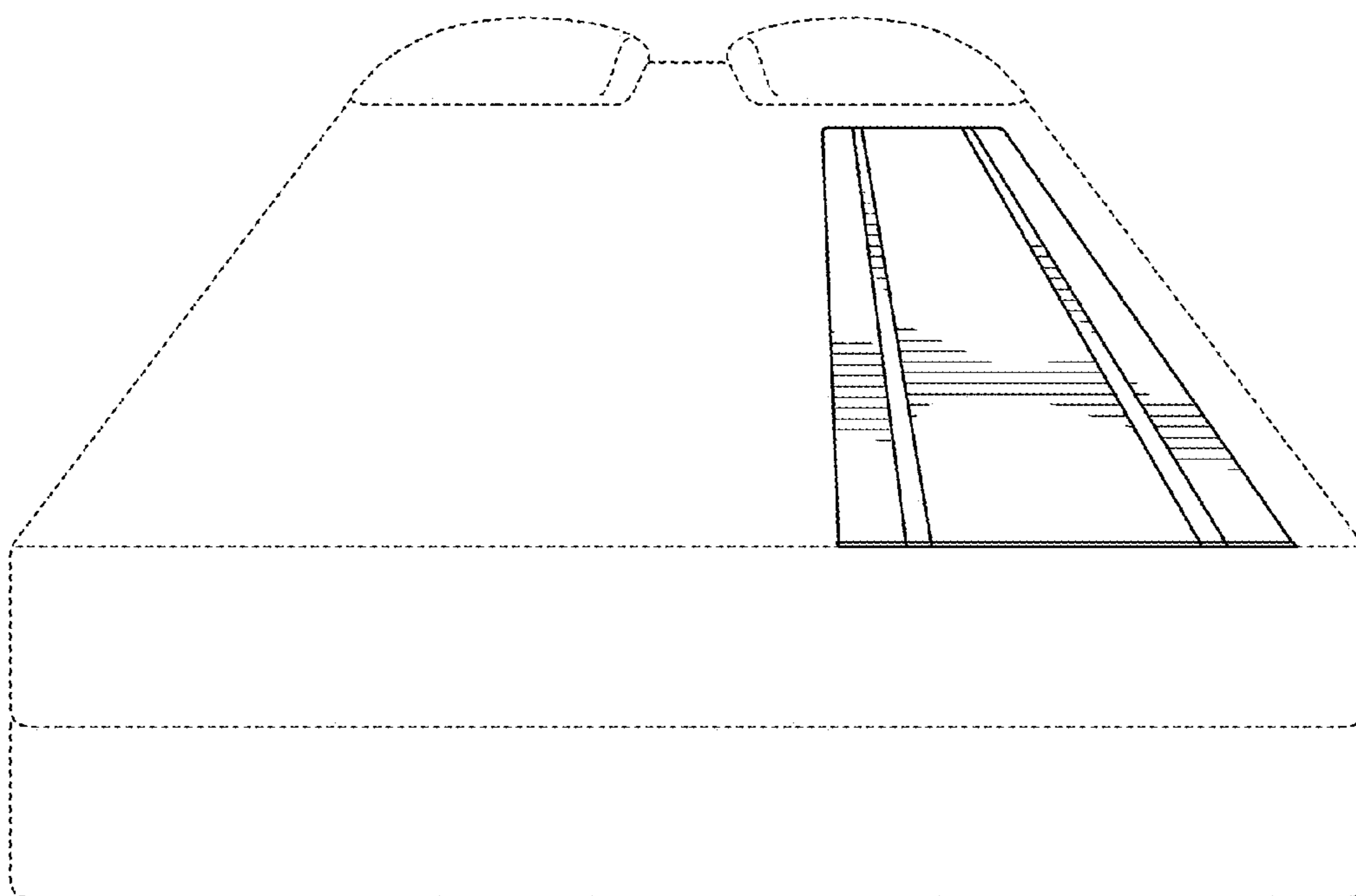


FIG. 13

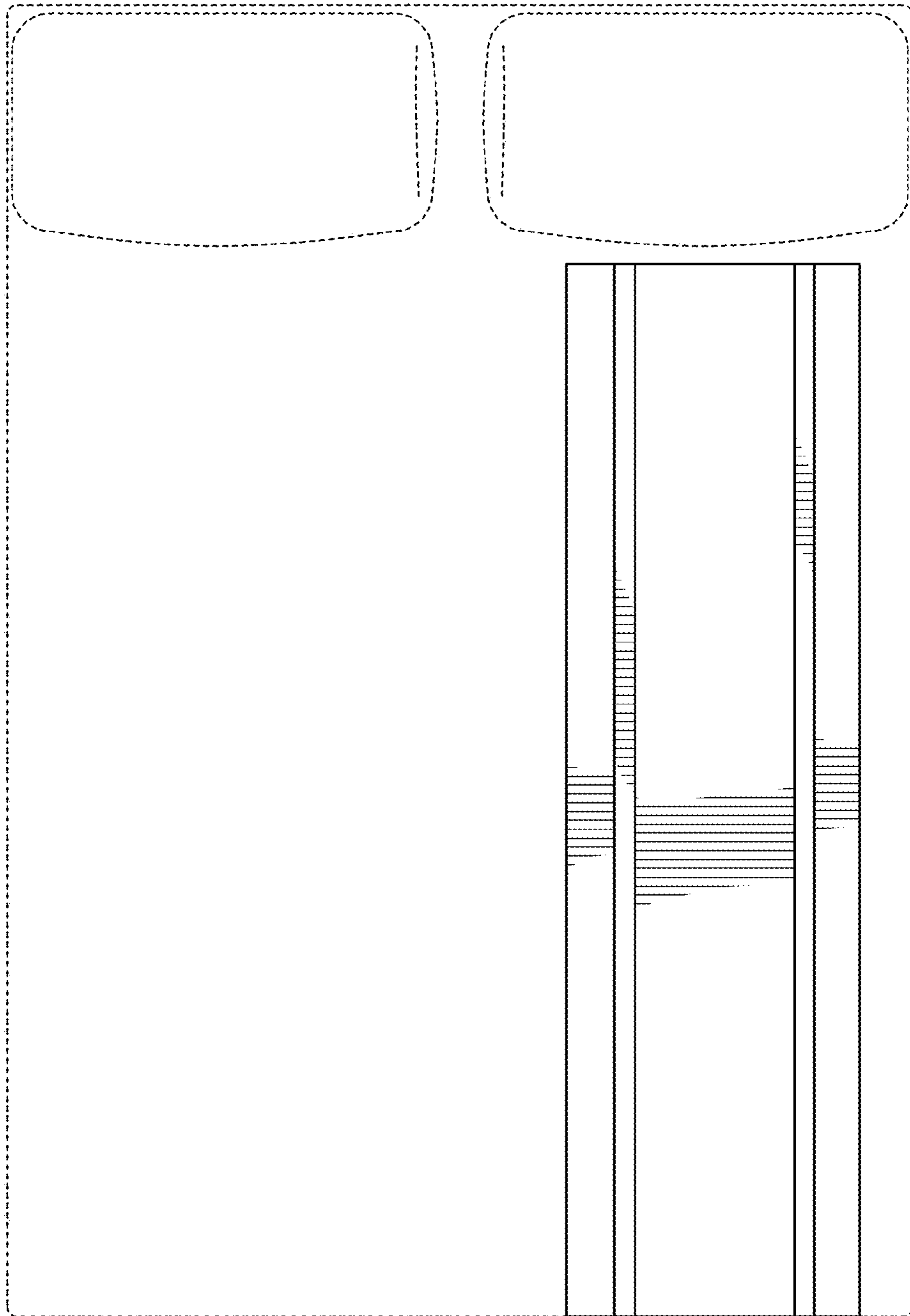


FIG. 14

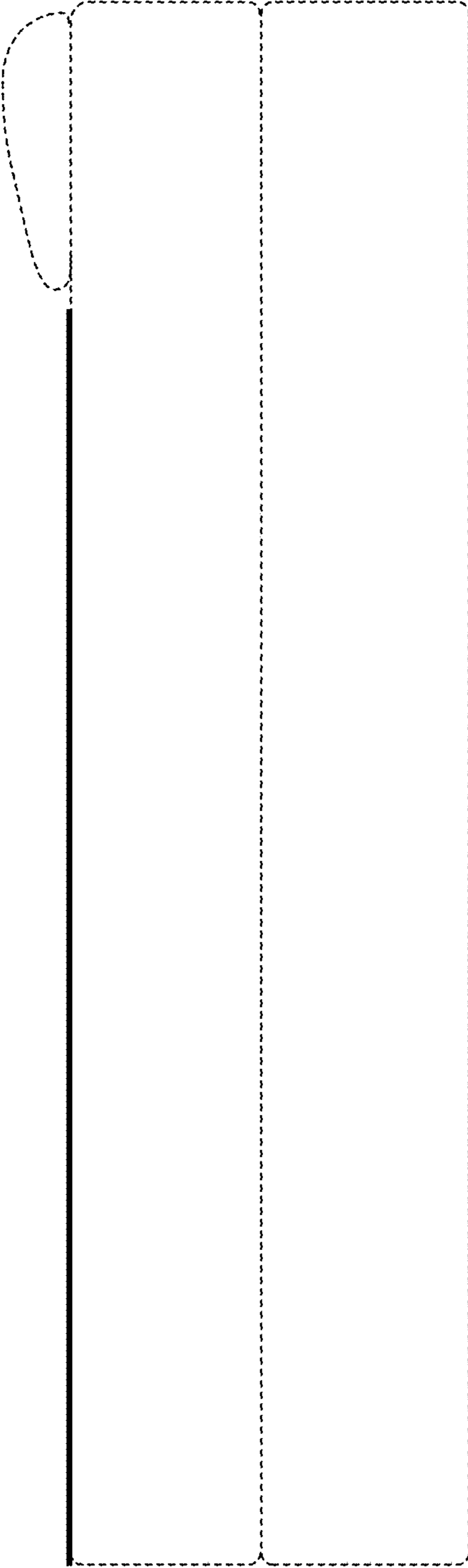


FIG. 15

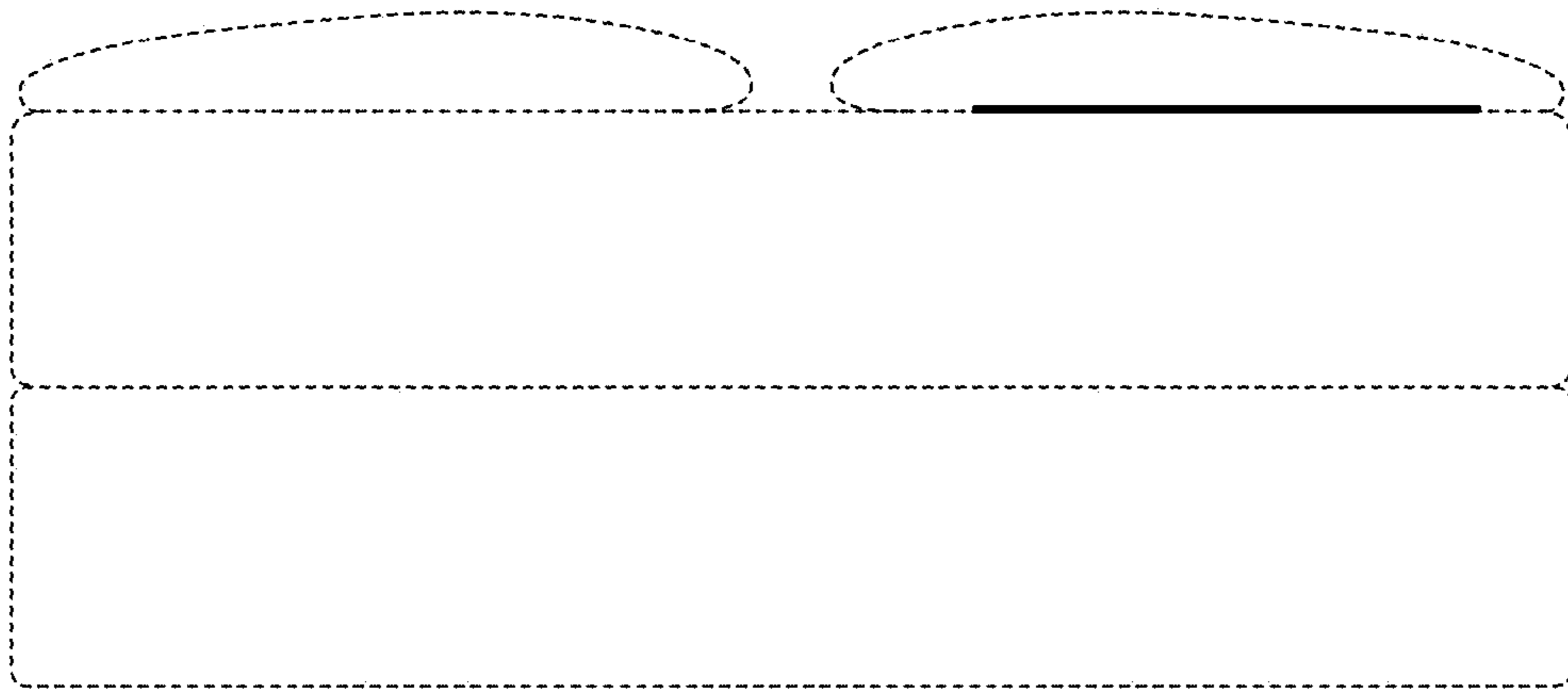


FIG. 16

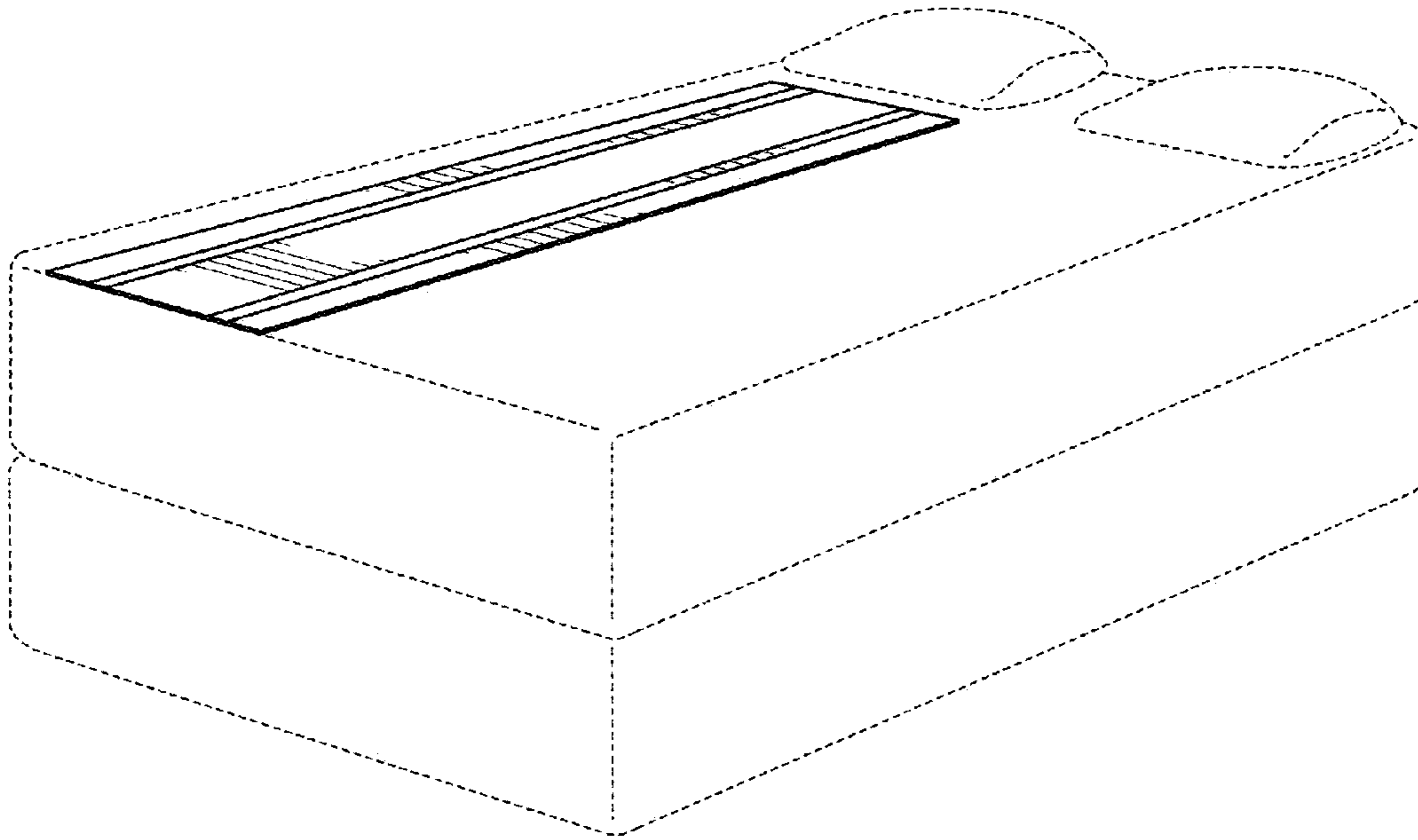


FIG. 17

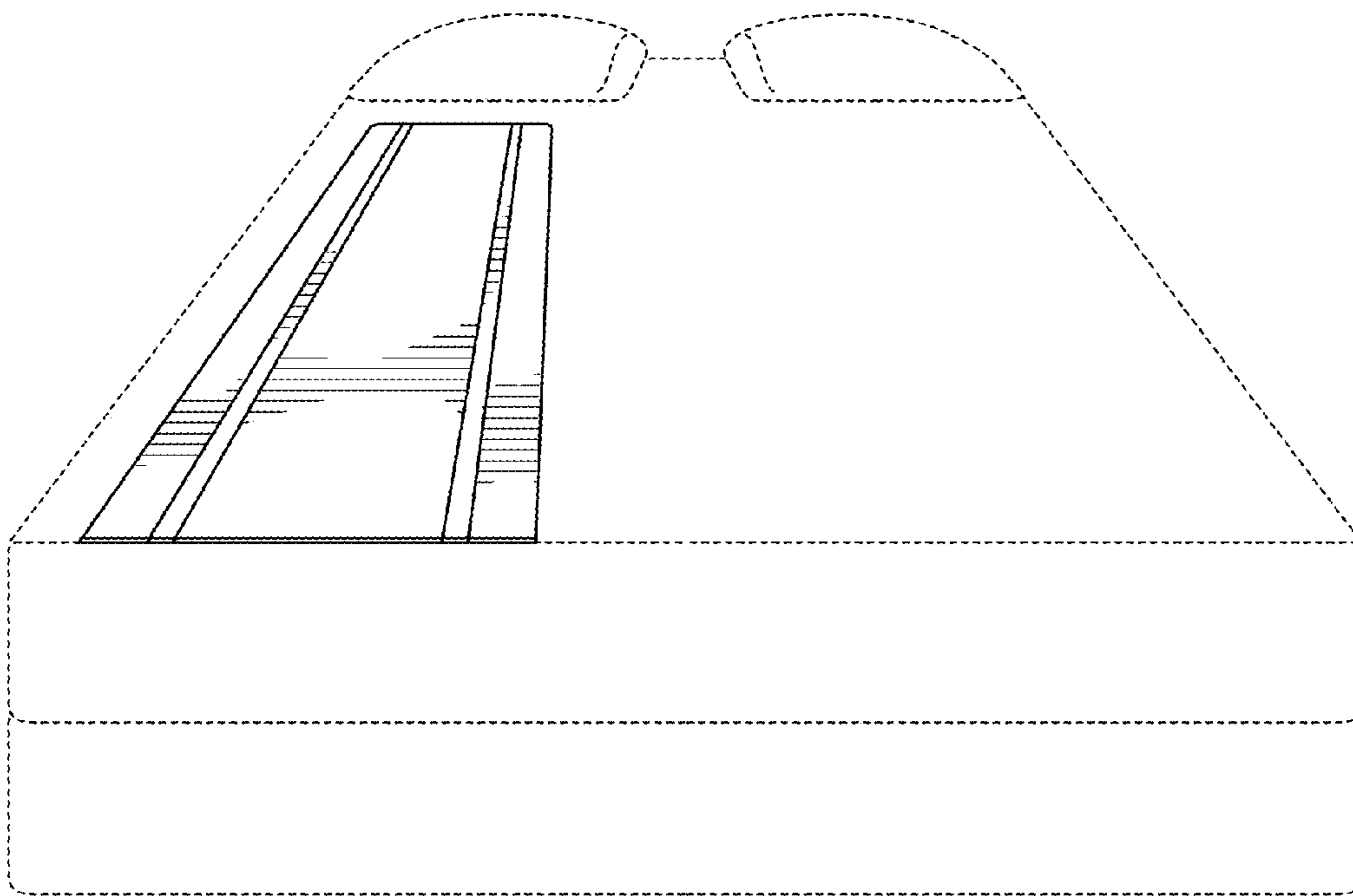


FIG. 18

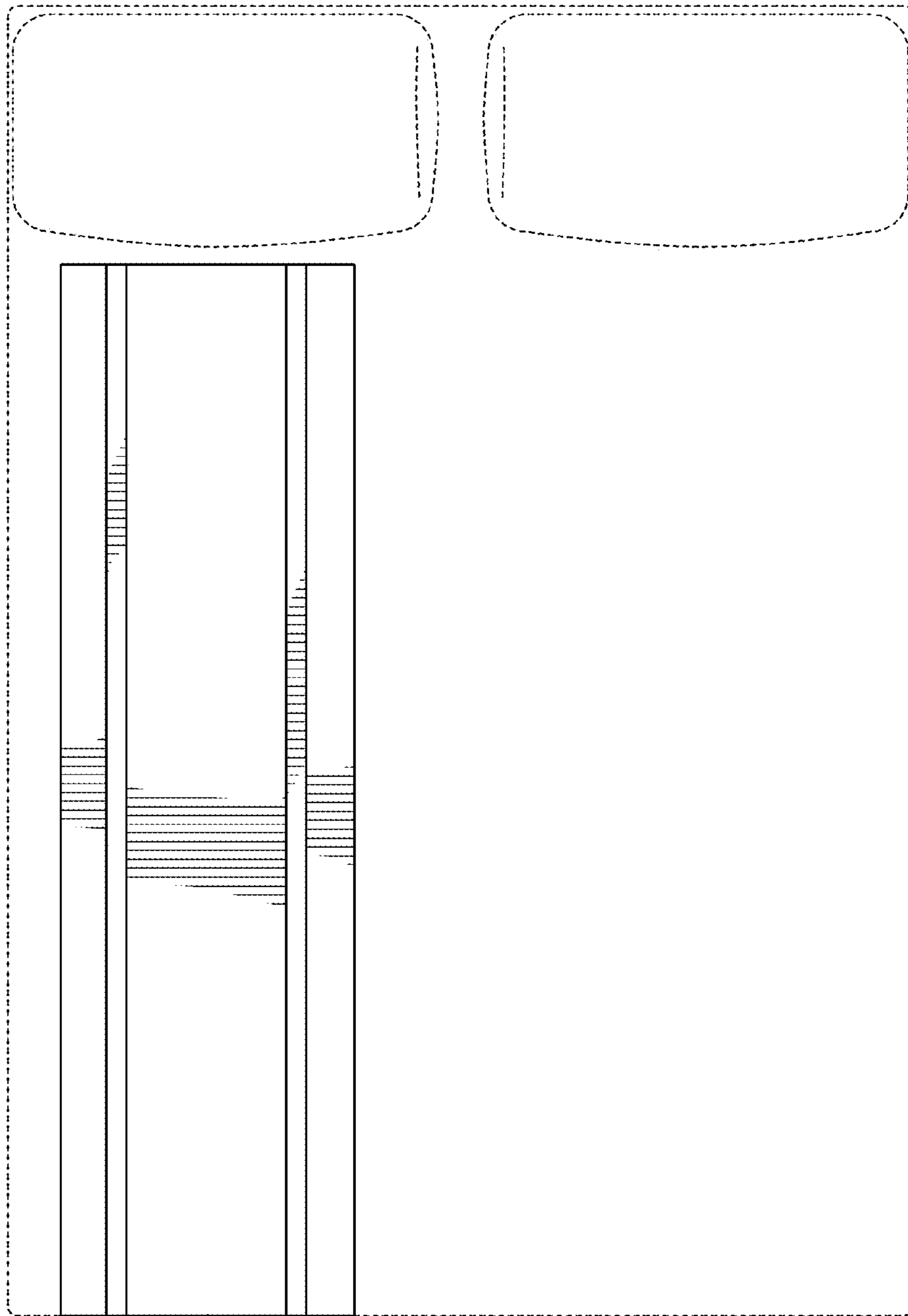


FIG. 19

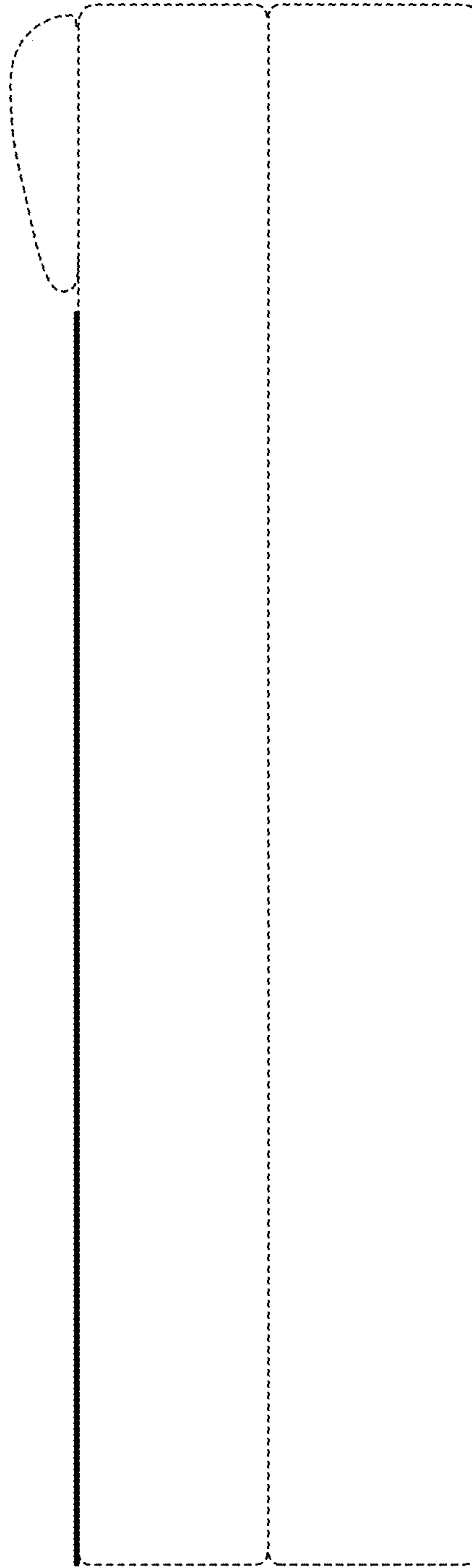


FIG. 20

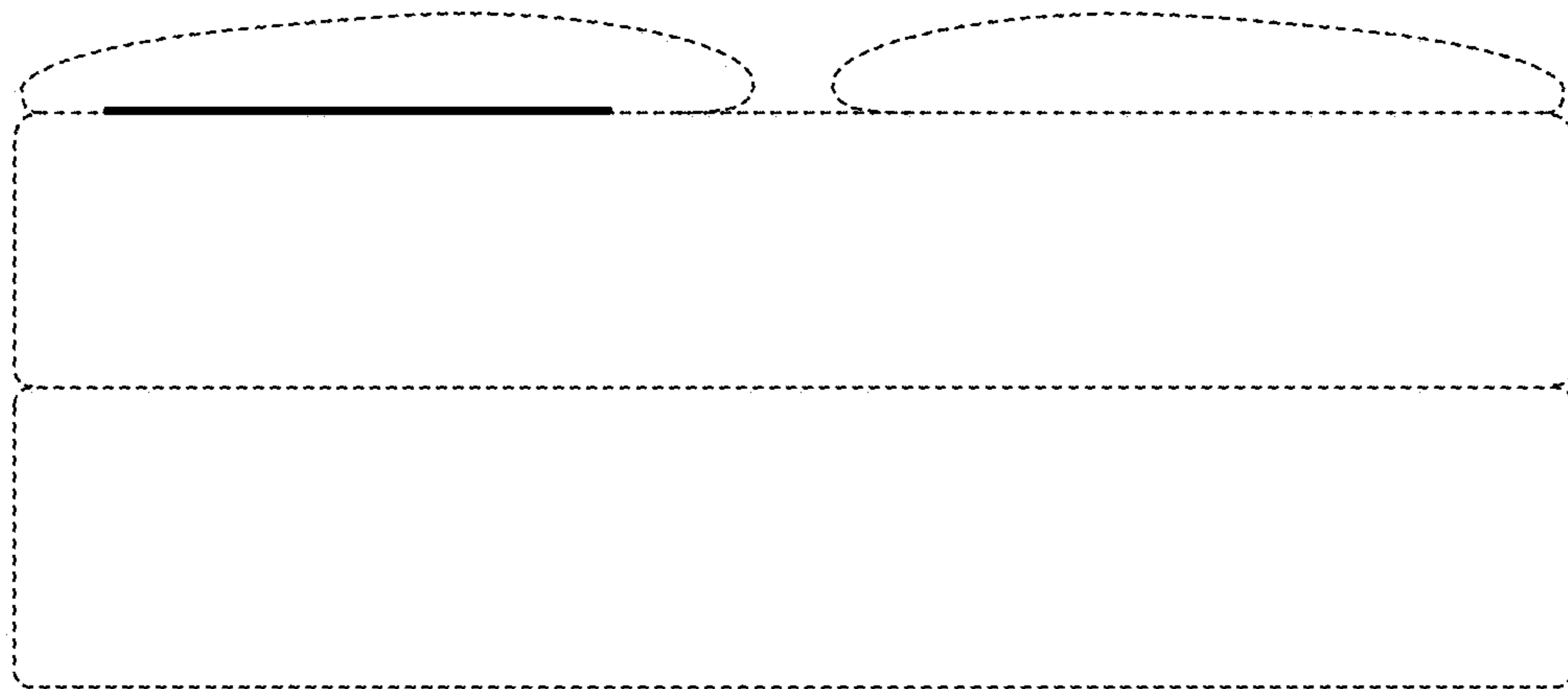


FIG. 21