



US00D770809S

(12) **United States Design Patent**  
**Bryant**

(10) **Patent No.:** **US D770,809 S**

(45) **Date of Patent:** **\*\* Nov. 8, 2016**

- (54) **BEDDING SET WITH SLEEPING COMPARTMENTS**
- (71) Applicant: **Dejon Bryant**, Pembroke Pines, FL (US)
- (72) Inventor: **Dejon Bryant**, Pembroke Pines, FL (US)
- (\*\*) Term: **14 Years**
- (21) Appl. No.: **29/520,022**
- (22) Filed: **Mar. 10, 2015**
- (51) **LOC (10) Cl.** ..... **06-13**
- (52) **U.S. Cl.**  
USPC ..... **D6/602**
- (58) **Field of Classification Search**  
USPC ..... D6/582-583, 587-592, 595-609, D6/617-622; D21/803-809; D24/183  
CPC ..... A47G 9/00; A47G 2009/001; A47G 2009/002; A47G 2009/003; A47G 9/10; A47G 9/1009; A47G 2009/1018; A47G 9/1045; A47G 9/1081; A47G 9/109; A47G 2009/005; A47G 2009/006; A47G 9/02; A47G 9/0207; A47G 9/0215; A47G 9/0223; A47G 9/023; A47G 9/0238; A47G 9/0246; A47G 9/0253; A47G 9/0261; A47G 2009/0269; A47G 11/002; A47G 21/165  
See application file for complete search history.

- 7,100,223 B1 \* 9/2006 Anthony ..... A47G 9/0238 5/482
- D562,046 S \* 2/2008 Yeargin ..... D6/603
- 7,971,293 B1 \* 7/2011 Helton ..... A47G 9/023 5/482
- D650,624 S \* 12/2011 Gamble ..... D6/602
- 8,151,386 B2 \* 4/2012 McKee ..... A47G 9/02 5/497
- 8,214,947 B1 \* 7/2012 Helton ..... A47G 9/023 5/482
- 9,332,735 B2 \* 5/2016 Thronsen ..... A01K 29/00
- 2006/0075562 A1 \* 4/2006 DiGirolamo ..... A47G 9/10 5/645
- 2011/0252563 A1 \* 10/2011 Horstman ..... A47G 9/0207 5/486
- 2011/0289686 A1 \* 12/2011 Chose ..... A47G 9/0207 5/497
- 2013/0198956 A1 \* 8/2013 Khan ..... A47G 9/0223 5/498
- 2015/0143635 A1 \* 5/2015 Clark ..... A47G 9/08 5/636
- 2015/0196146 A1 \* 7/2015 Liddick ..... A47G 9/023 5/486

\* cited by examiner

*Primary Examiner* — Eric Goodman

*Assistant Examiner* — Jennifer L Rempfer

(74) *Attorney, Agent, or Firm* — Nancy J. Flint, Esq.;  
Nancy J. Flint, Attorney at Law, P.A.

(57) **CLAIM**

The ornamental design for bedding set with sleeping compartments, as shown and described.

**DESCRIPTION**

FIG. 1 is a top perspective view of a first embodiment of bedding set with sleeping compartments comprising a top cover and a bottom sheet showing my new design;  
 FIG. 2 is a bottom perspective view of the first embodiment of bedding set with sleeping compartments comprising a top cover and a bottom sheet;  
 FIG. 3 is a top view of the bottom sheet of the first embodiment of bedding set with sleeping compartments;  
 FIG. 4 is a front end view of the bottom sheet of the first embodiment of bedding set with sleeping compartments;  
 FIG. 5 is a back end view of the bottom sheet of the first embodiment of bedding set with sleeping compartments;

(56) **References Cited**

U.S. PATENT DOCUMENTS

- D267,696 S \* 1/1983 Adams ..... 5/482
- 5,287,573 A \* 2/1994 Ritacco ..... A47G 9/0238 5/486
- 5,457,830 A \* 10/1995 Fox ..... A47G 9/02 5/486
- 6,226,814 B1 \* 5/2001 Alexander ..... A47G 9/023 5/486
- 6,378,456 B1 \* 4/2002 Jerome ..... A01K 1/0353 119/28.5
- 6,698,043 B2 \* 3/2004 Fabian ..... A47G 9/0238 5/482
- D507,919 S \* 8/2005 Bishop ..... D6/596

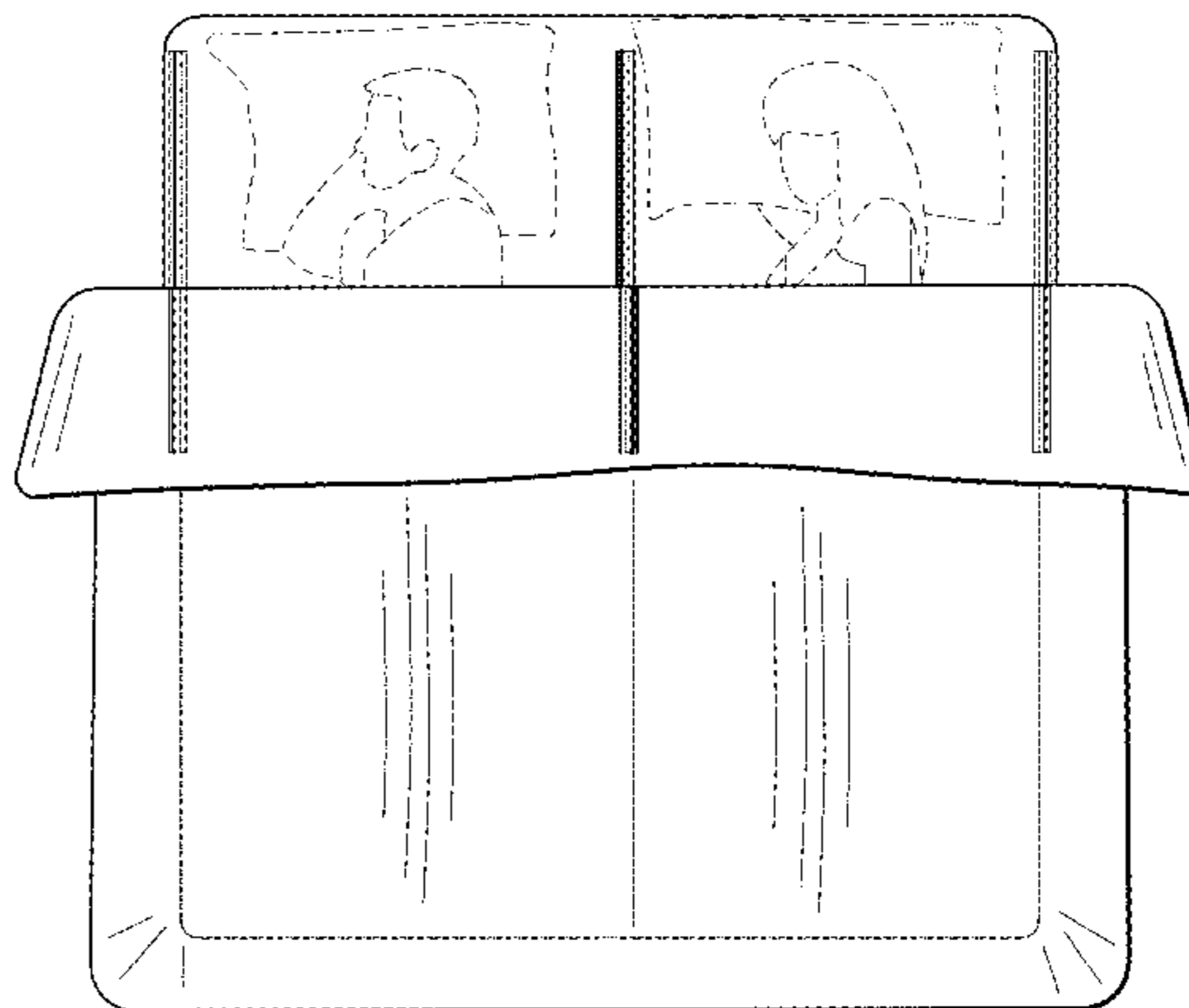
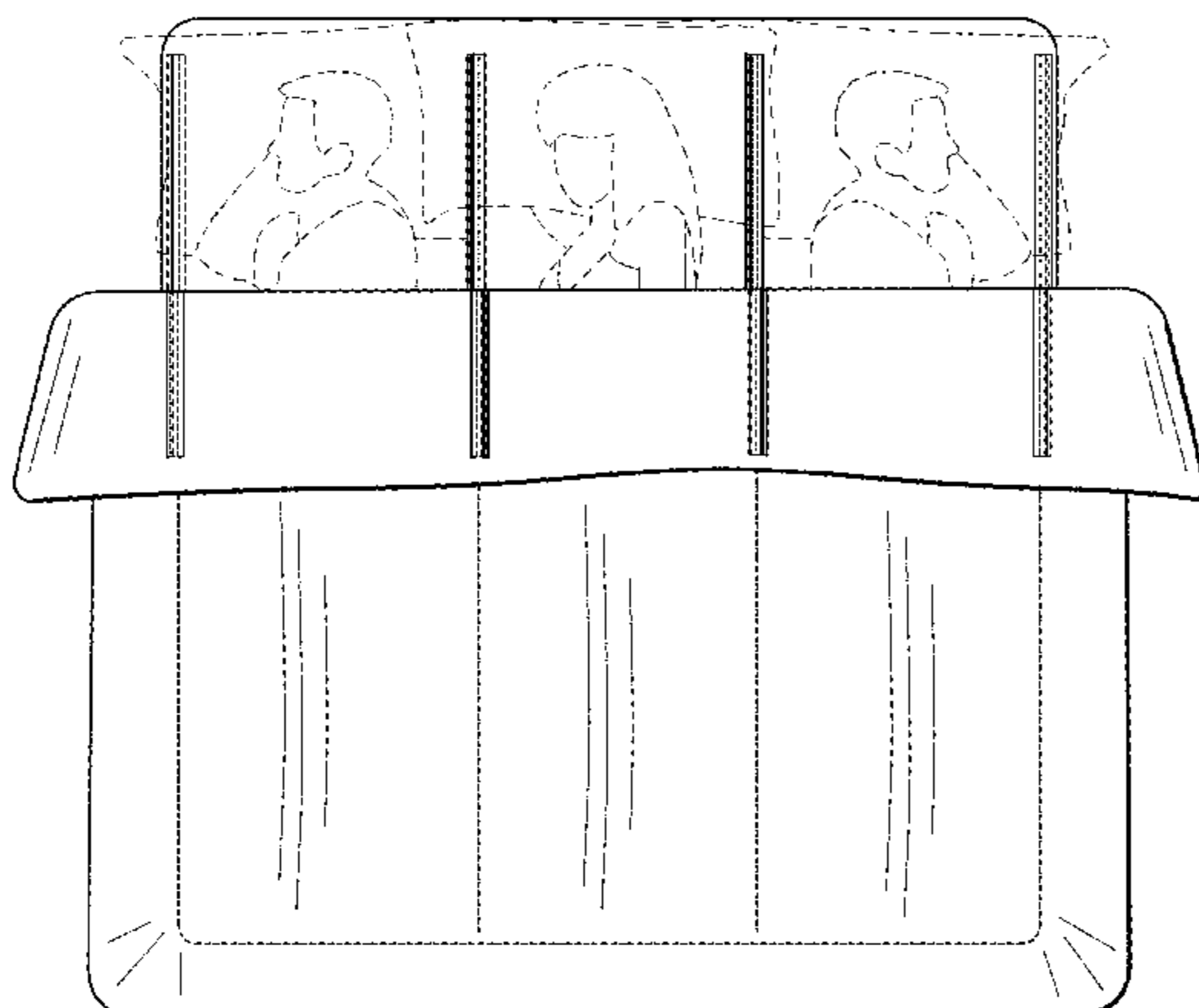
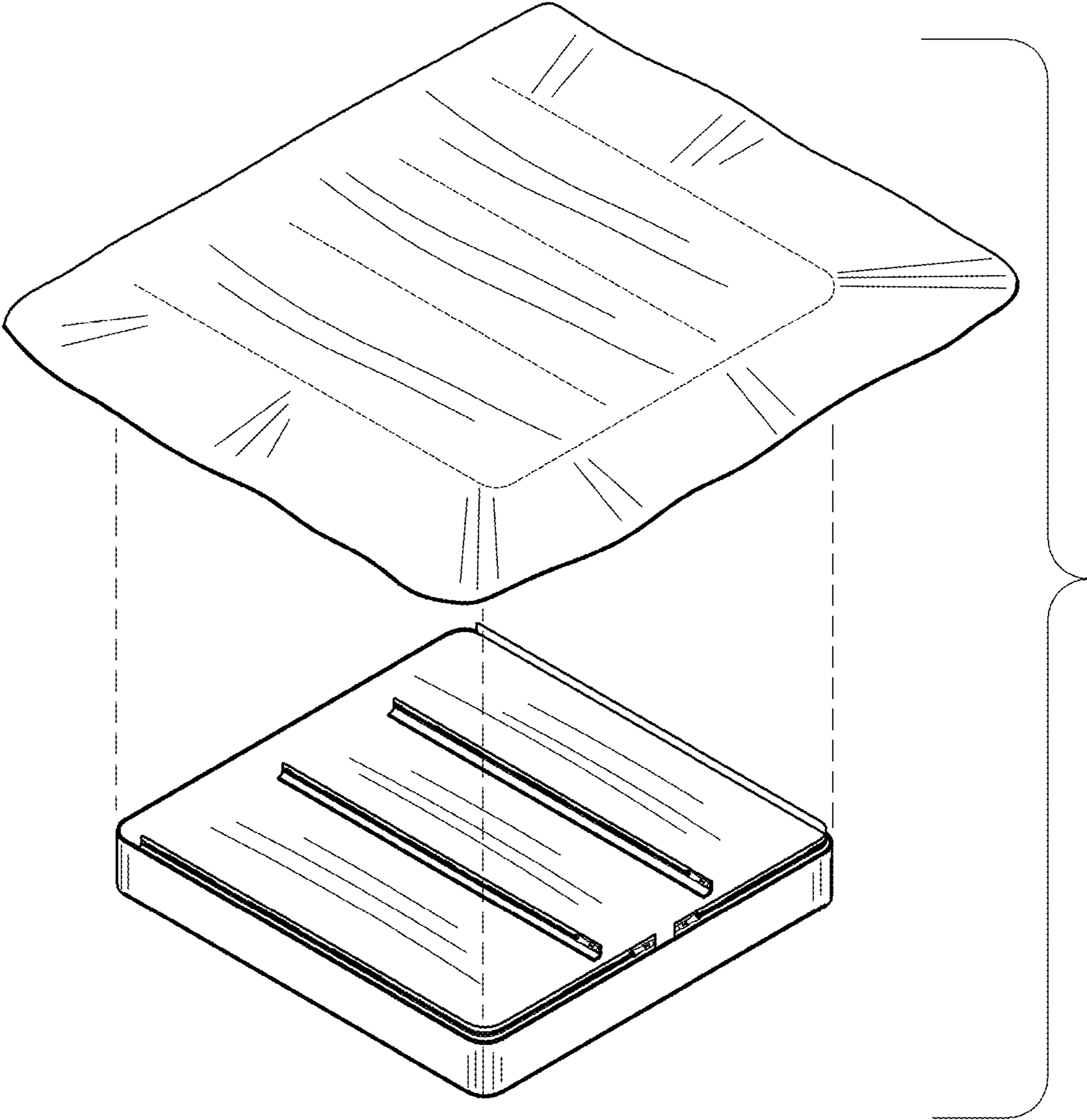


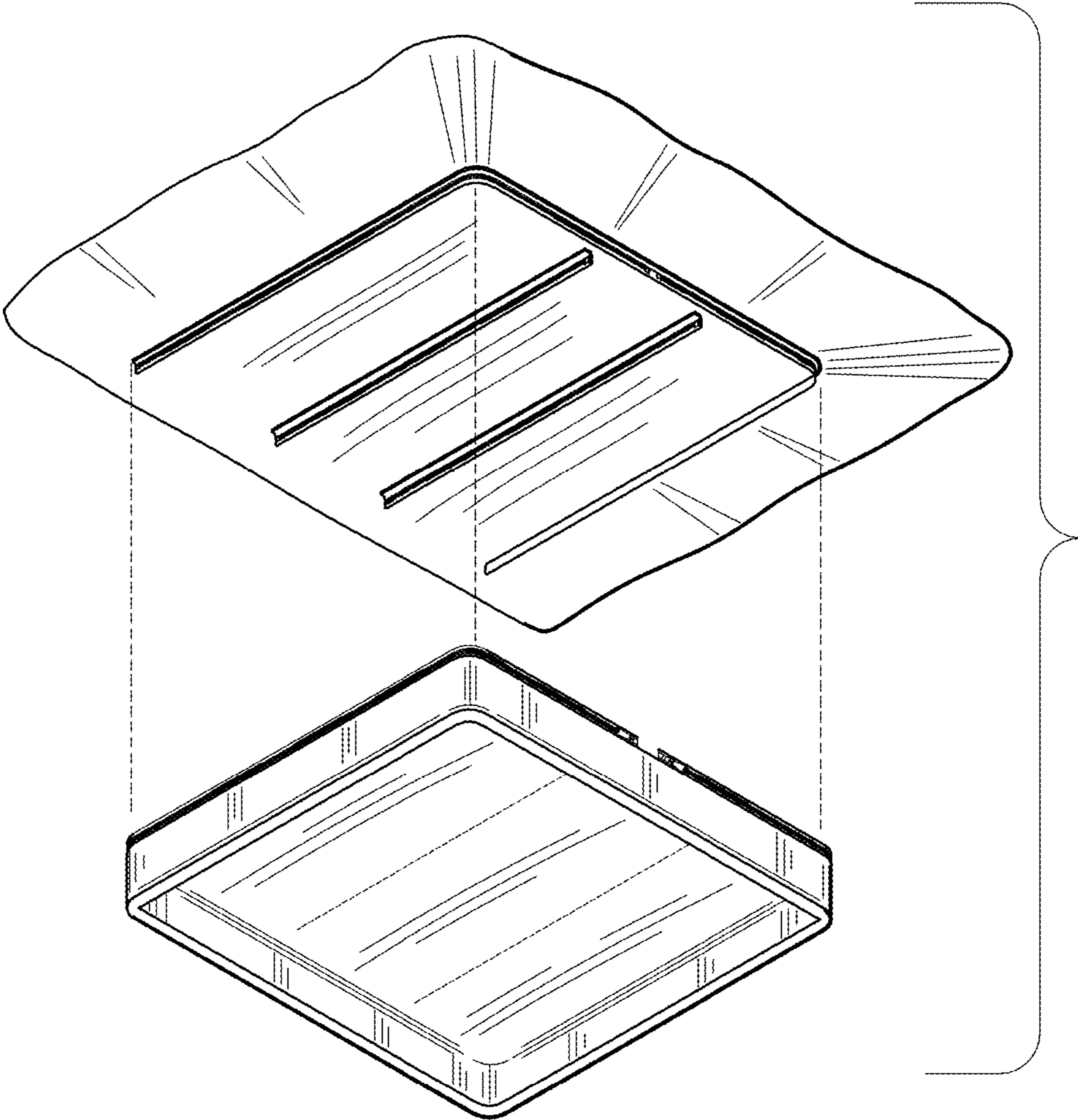
FIG. 6 is a bottom view of the bottom sheet of the first embodiment of bedding set with sleeping compartments;  
FIG. 7 is a left side view of the bottom sheet of the first embodiment of bedding set with sleeping compartments;  
FIG. 8 is a top view of the top cover of the first embodiment of bedding set with sleeping compartments;  
FIG. 9 is a back end view of the top cover of the first embodiment of bedding set with sleeping compartments;  
FIG. 10 is a bottom view of the top cover of the first embodiment of bedding set with sleeping compartments;  
FIG. 11 is a front end view of the top cover of the first embodiment of bedding set with sleeping compartments;  
FIG. 12 is a left side view of the top cover of the first embodiment of bedding set with sleeping compartments;  
FIG. 13 is a top perspective view of the first embodiment of the bedding set with sleeping compartments as used.  
FIG. 14 is a top perspective view of a second embodiment of bedding set with sleeping compartments comprising a top cover and a bottom sheet showing my new design;  
FIG. 15 is a bottom perspective view of the second embodiment of bedding set with sleeping compartments comprising a top cover and a bottom sheet;  
FIG. 16 is a top view of the bottom sheet of the second embodiment of bedding set with sleeping compartments;  
FIG. 17 is a front end view of the bottom sheet of the second embodiment of bedding set with sleeping compartments;

FIG. 18 is a back end view of the bottom sheet of the second embodiment of bedding set with sleeping compartments;  
FIG. 19 is a bottom view of the bottom sheet of the second embodiment of bedding set with sleeping compartments;  
FIG. 20 is a left side view of the bottom sheet of the second embodiment of bedding set with sleeping compartments;  
FIG. 21 is a top view of the top cover of the second embodiment of bedding set with sleeping compartments;  
FIG. 22 is a back end view of the top cover of the second embodiment of bedding set with sleeping compartments;  
FIG. 23 is a bottom view of the top cover of the second embodiment of bedding set with sleeping compartments;  
FIG. 24 is a front end view of the top cover of the second embodiment of bedding set with sleeping compartments;  
FIG. 25 is a left side view of the top cover of the second embodiment of bedding set with sleeping compartments;  
and,  
FIG. 26 is a top perspective view of the second embodiment of the bedding set with sleeping compartments as used.  
Right side views not shown are mirror images of right side views. Any broken lines illustrative of environmental structure in the drawings are not part of the design sought to be patented.

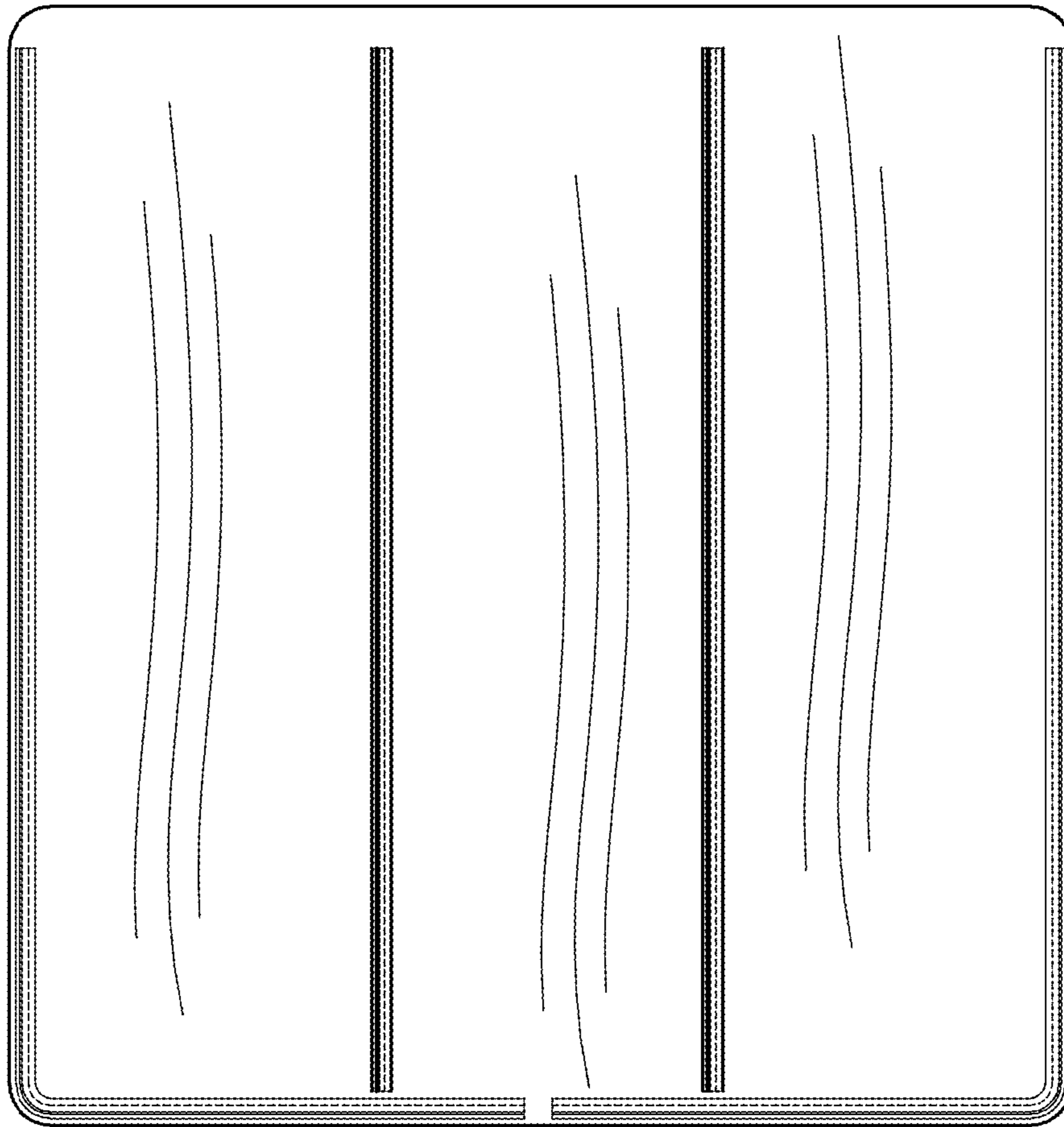
**1 Claim, 14 Drawing Sheets**



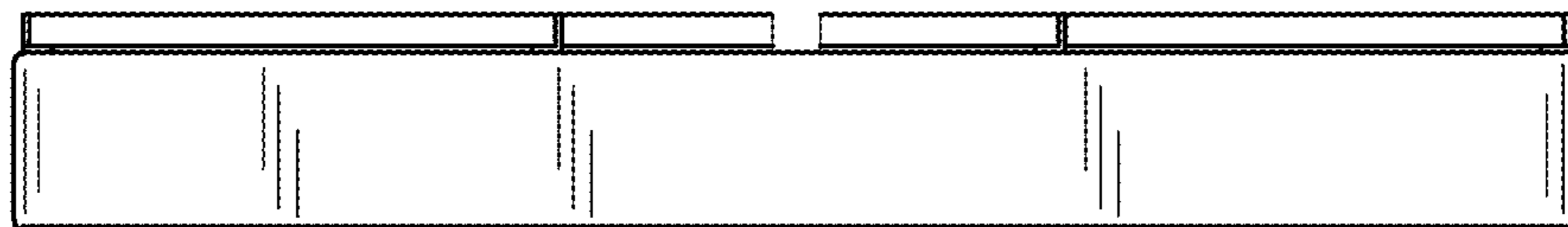
**Fig. 1**



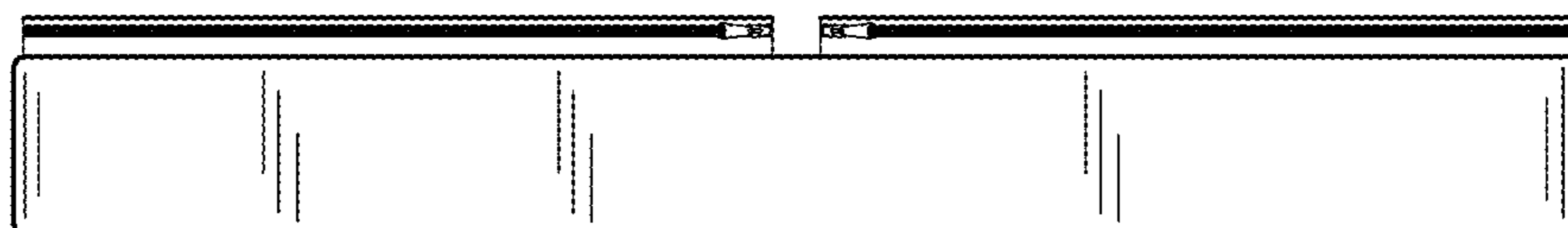
**Fig. 2**



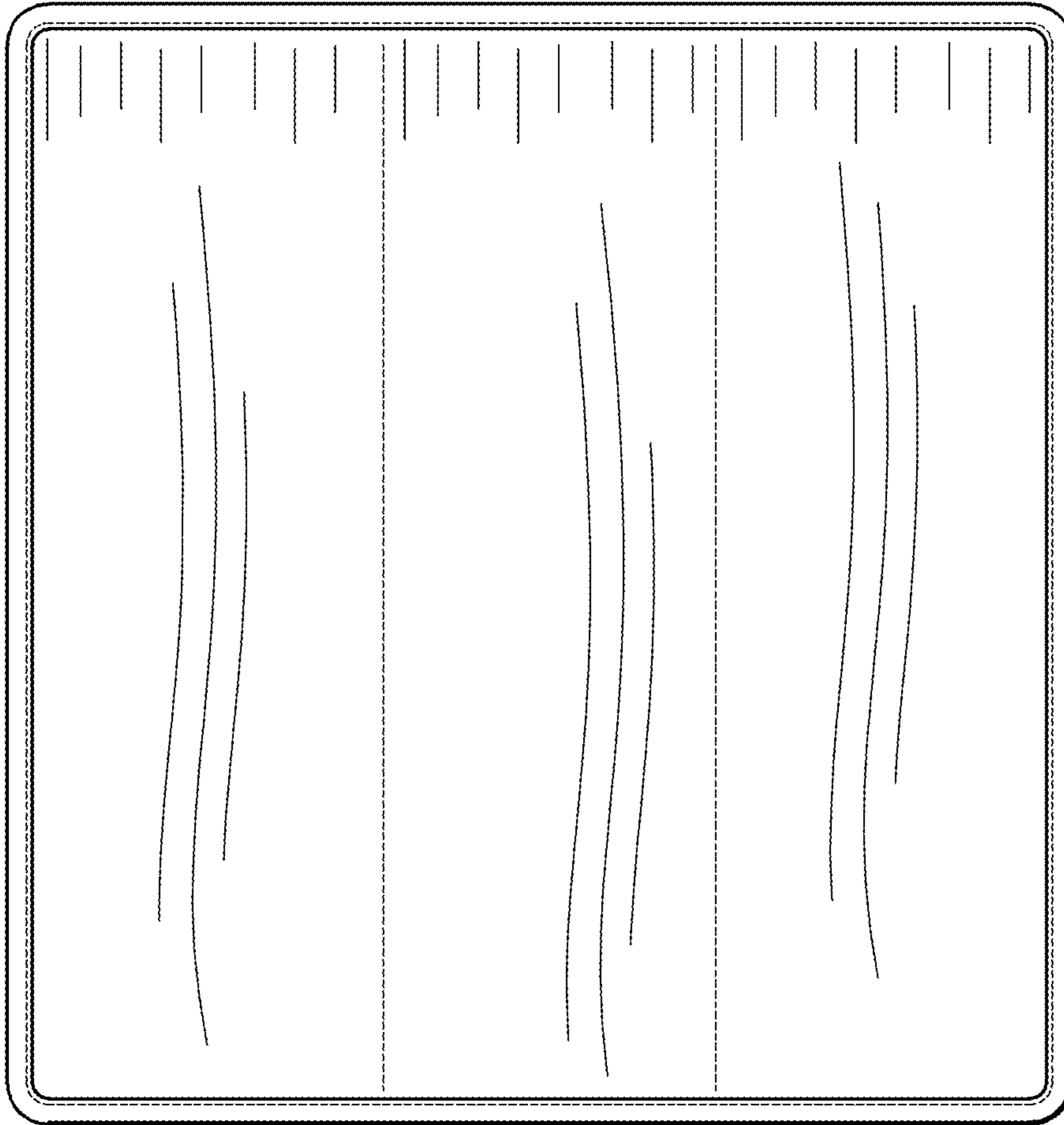
**Fig. 3**



**Fig. 4**



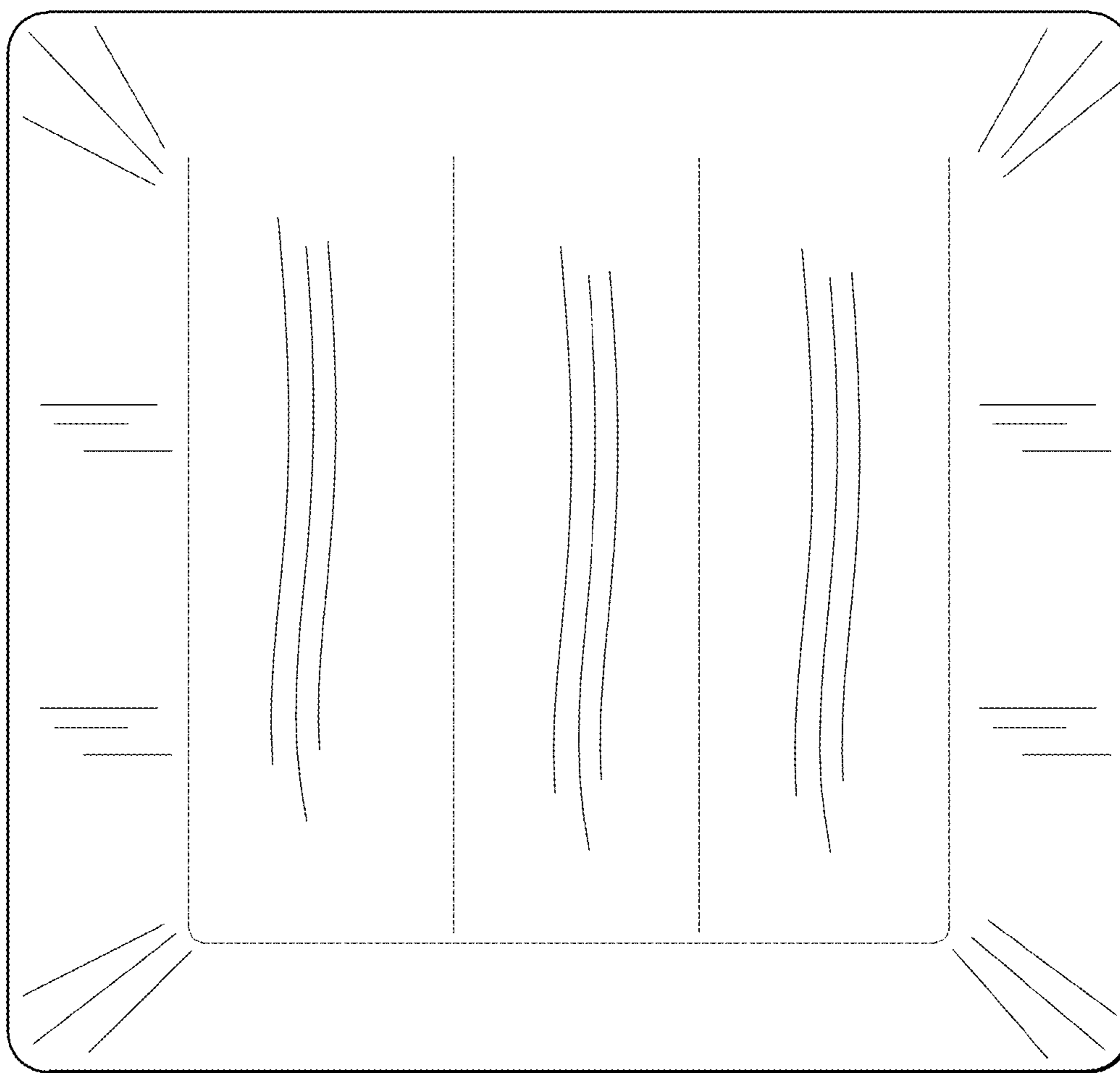
**Fig. 5**



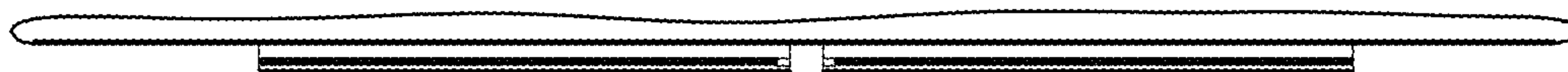
**Fig. 6**



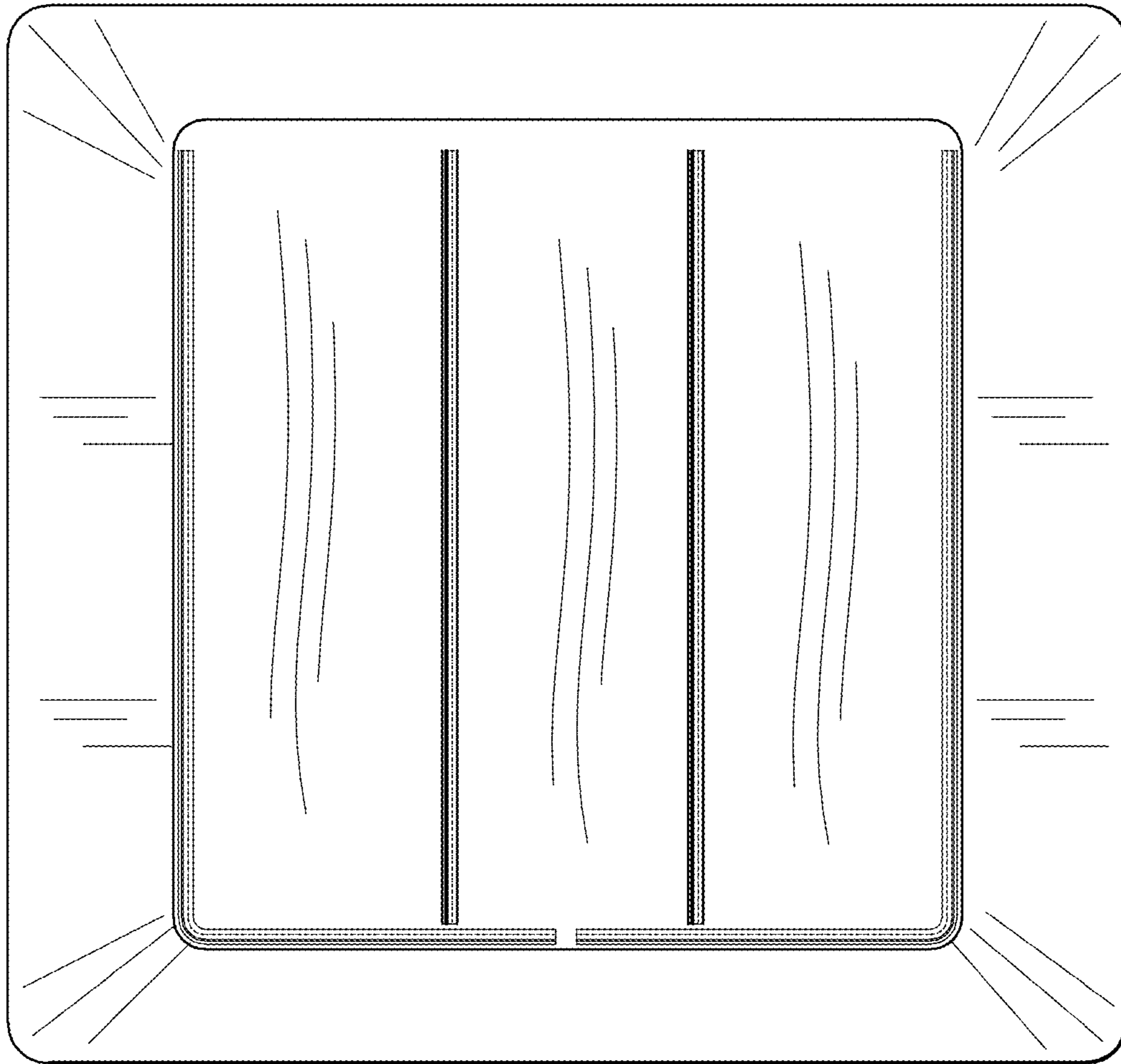
**Fig. 7**



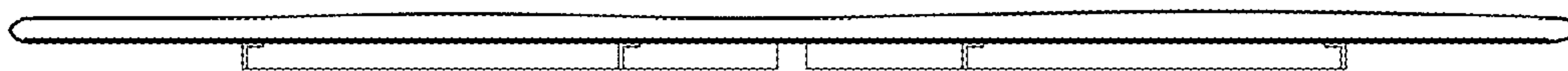
**Fig. 8**



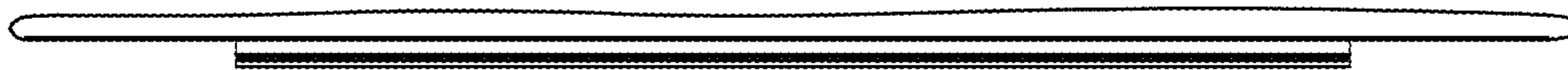
**Fig. 9**



**Fig. 10**

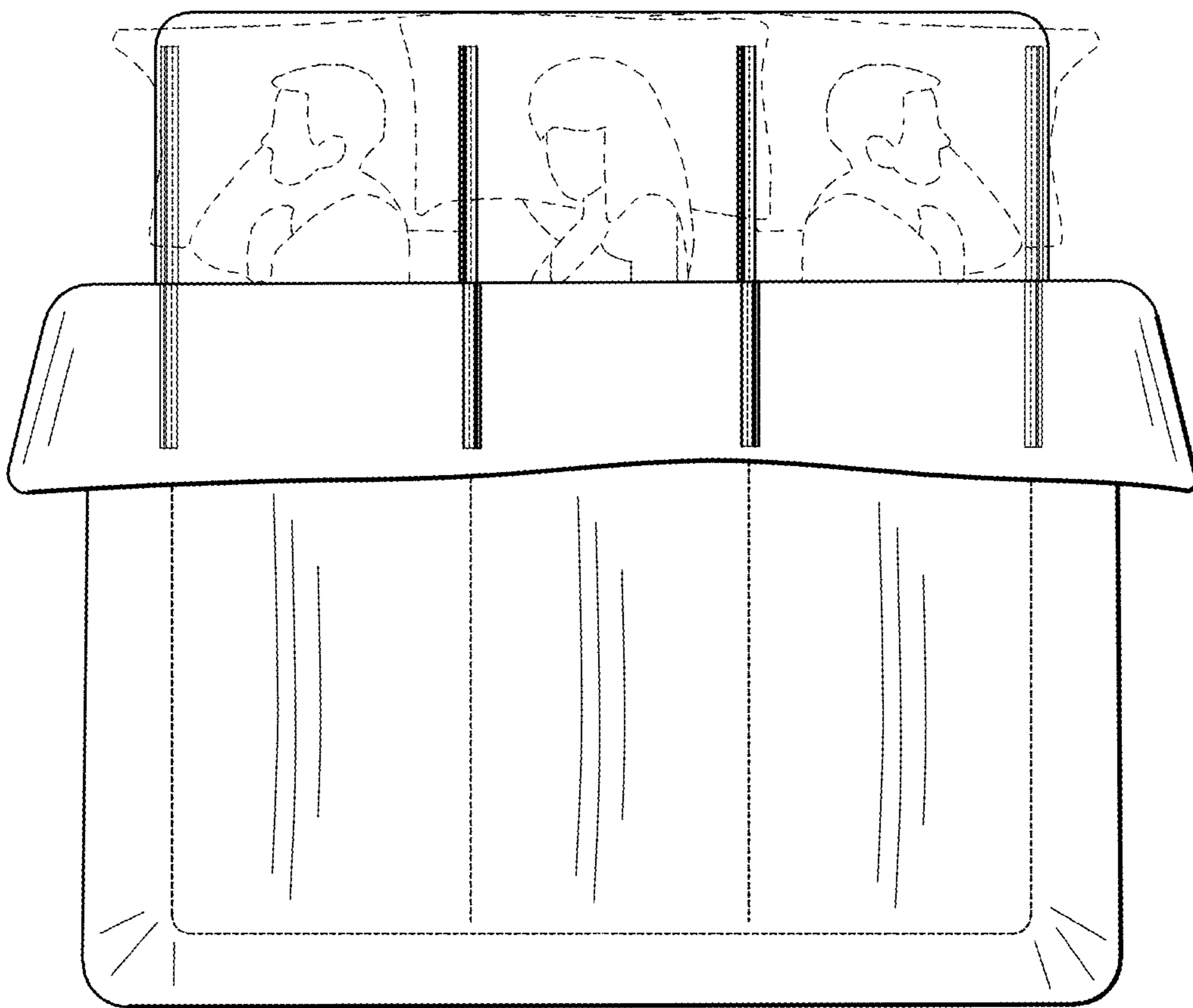


**Fig. 11**

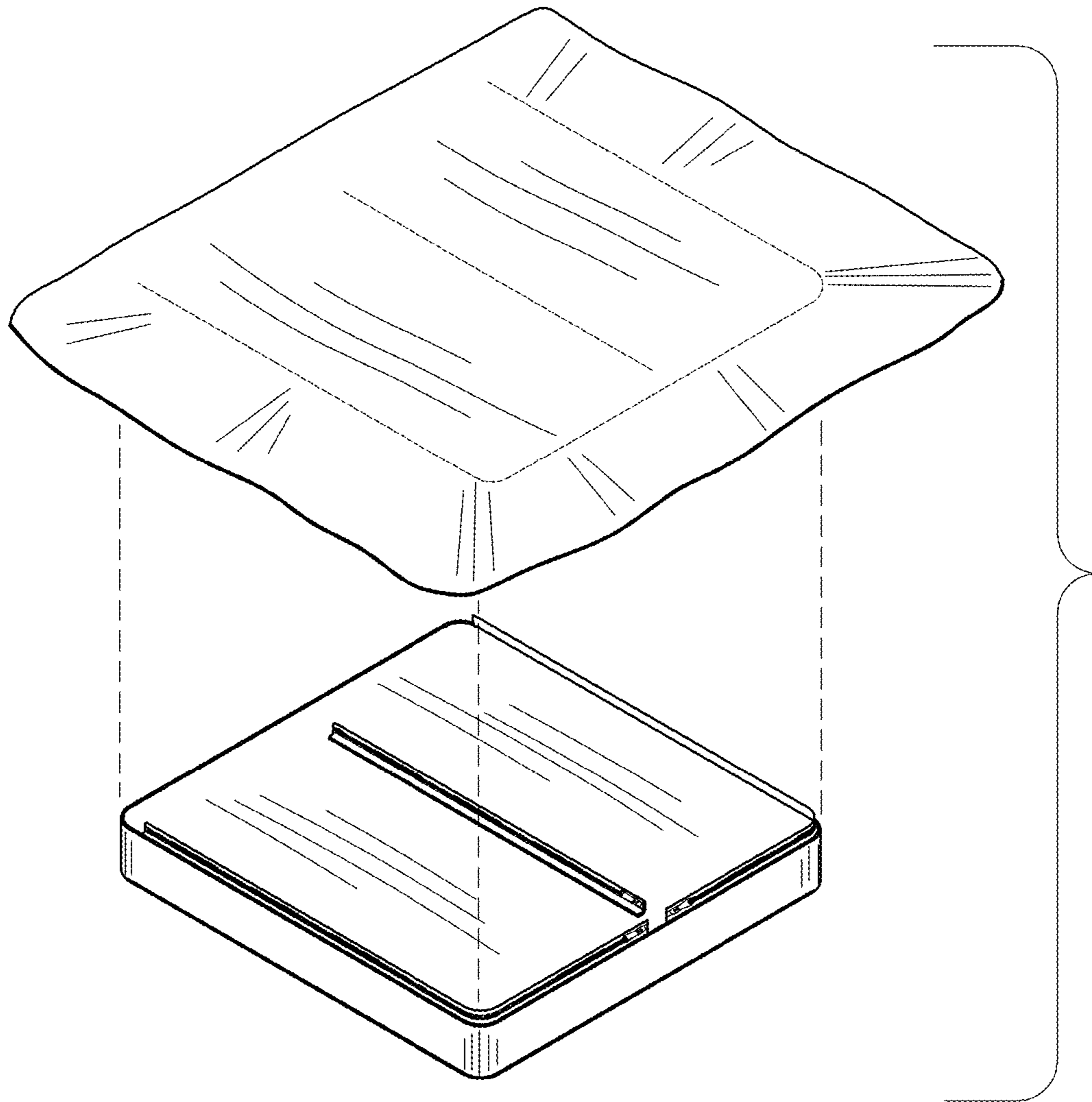


**Fig. 12**

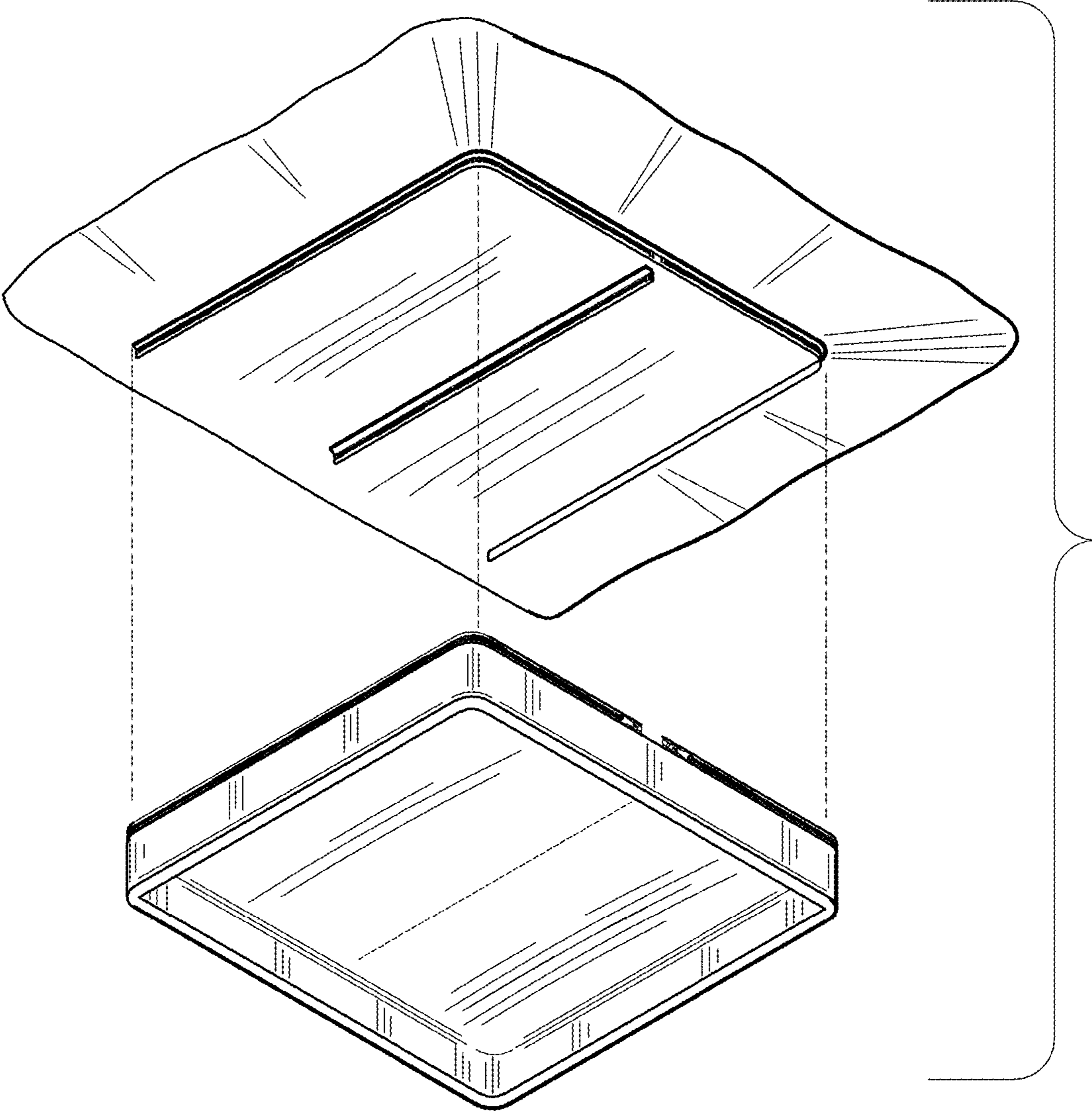




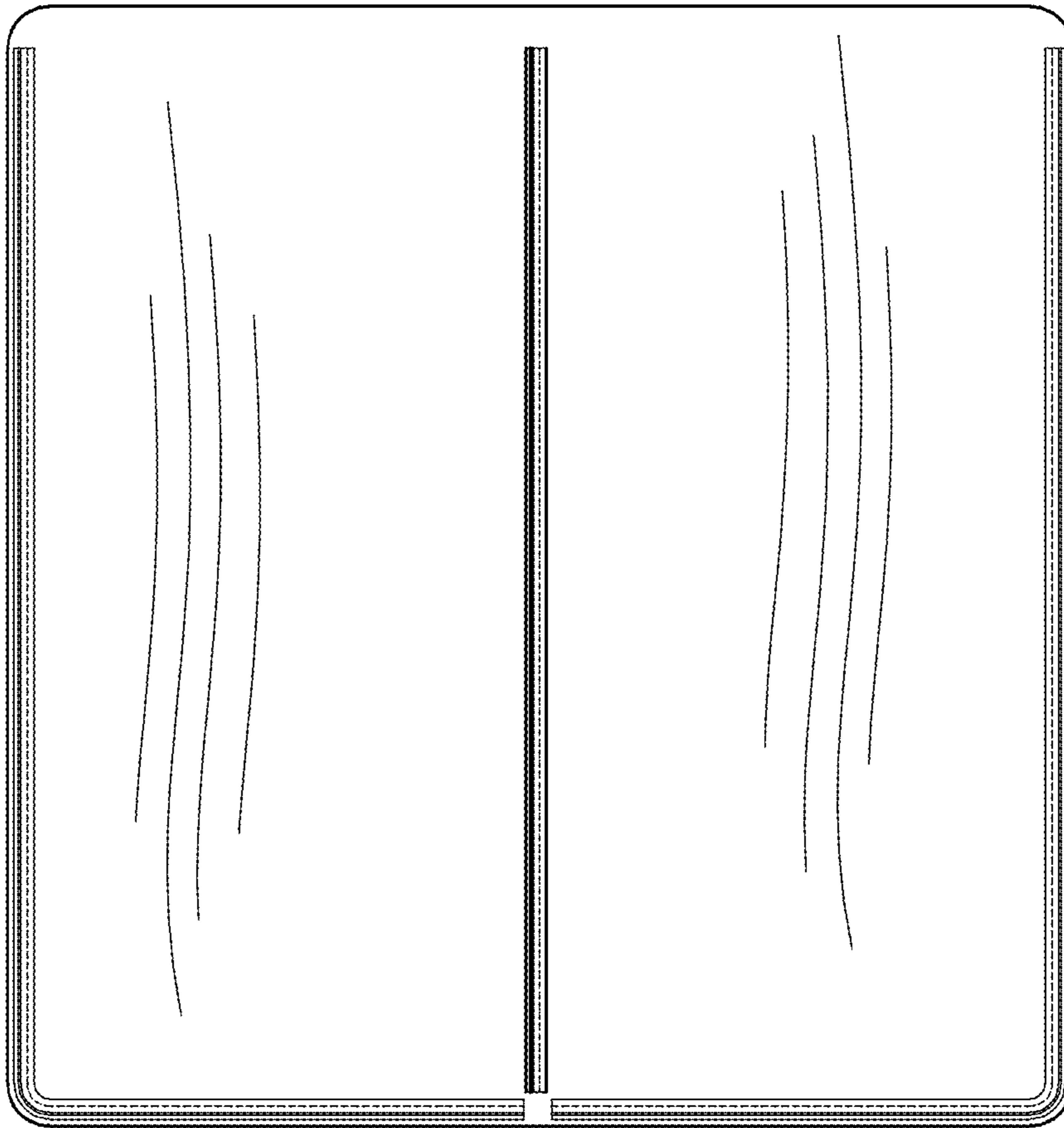
**Fig. 13**



**Fig. 14**



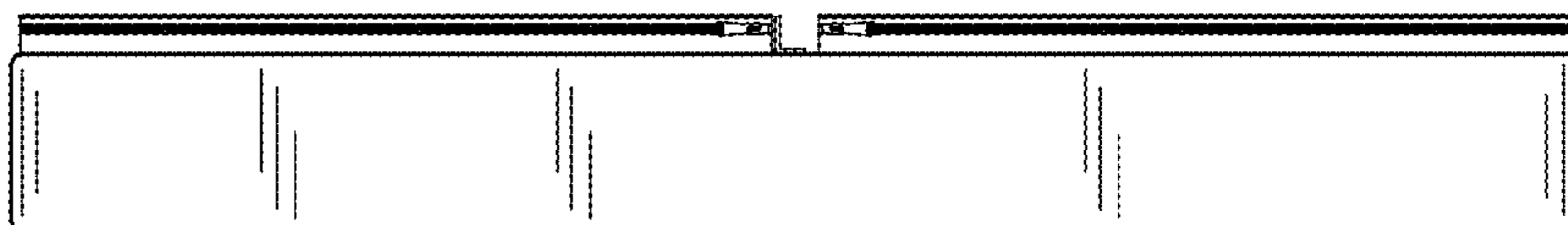
**Fig. 15**



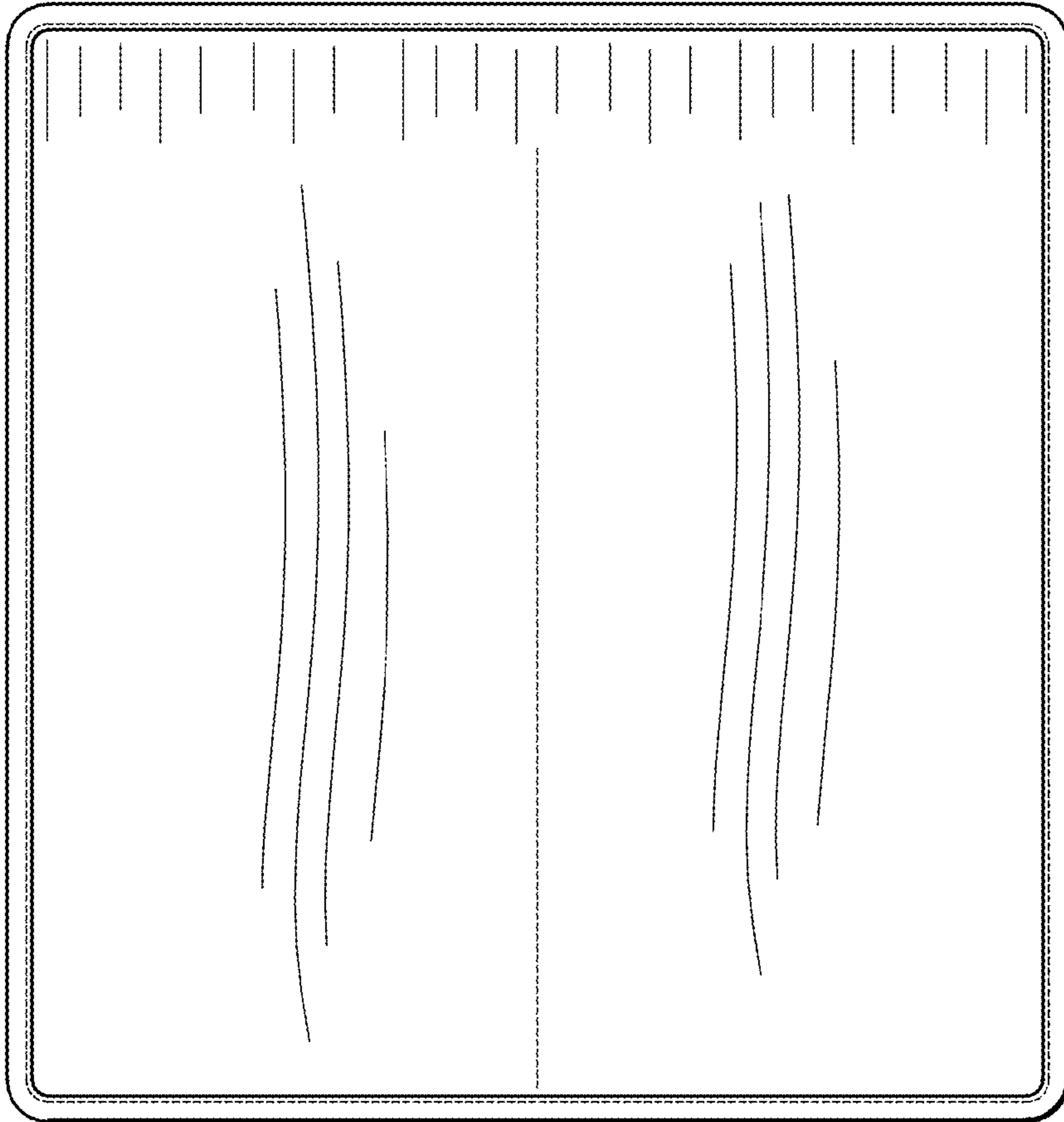
**Fig. 16**



**Fig. 17**



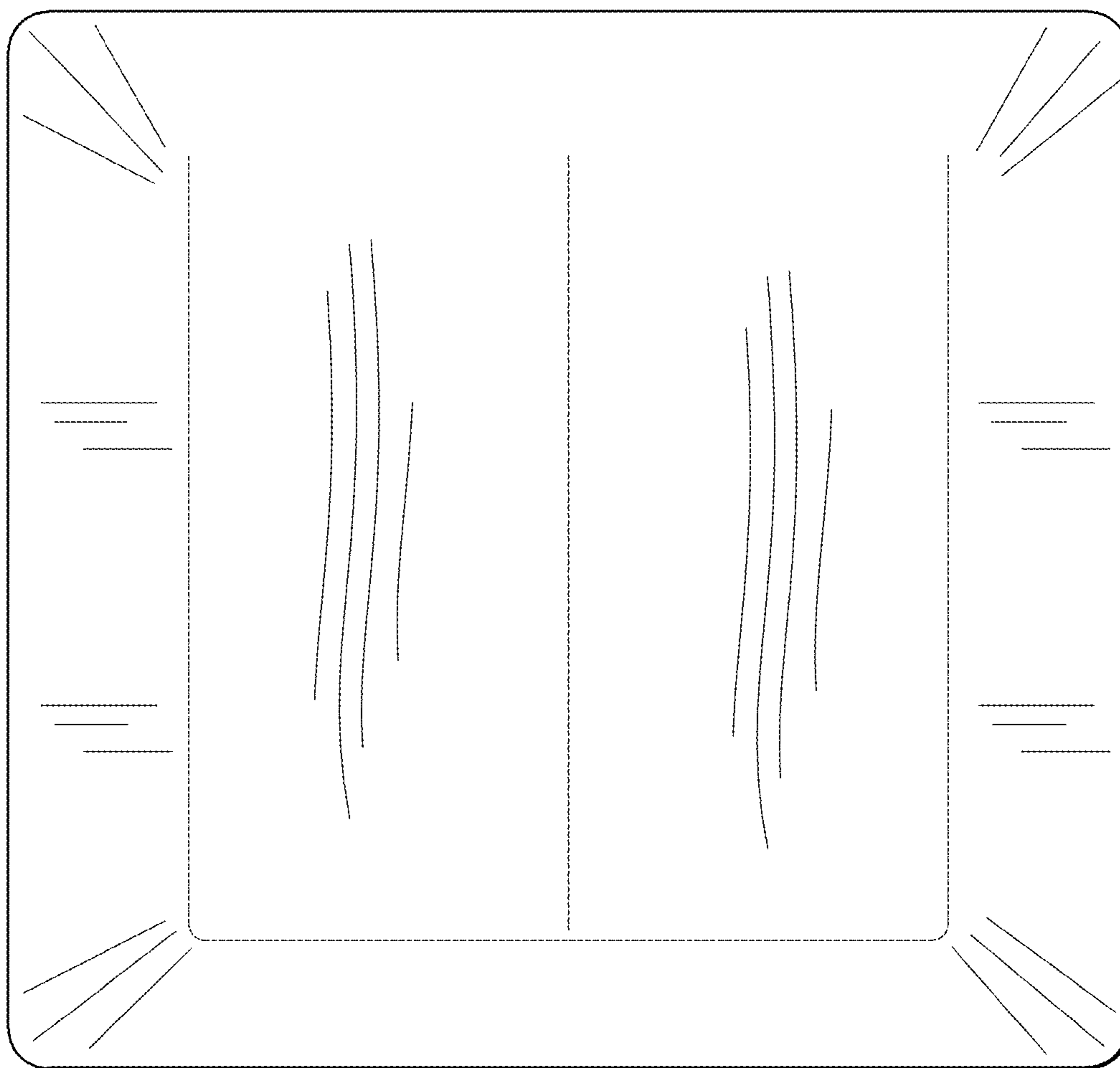
**Fig. 18**



**Fig. 19**



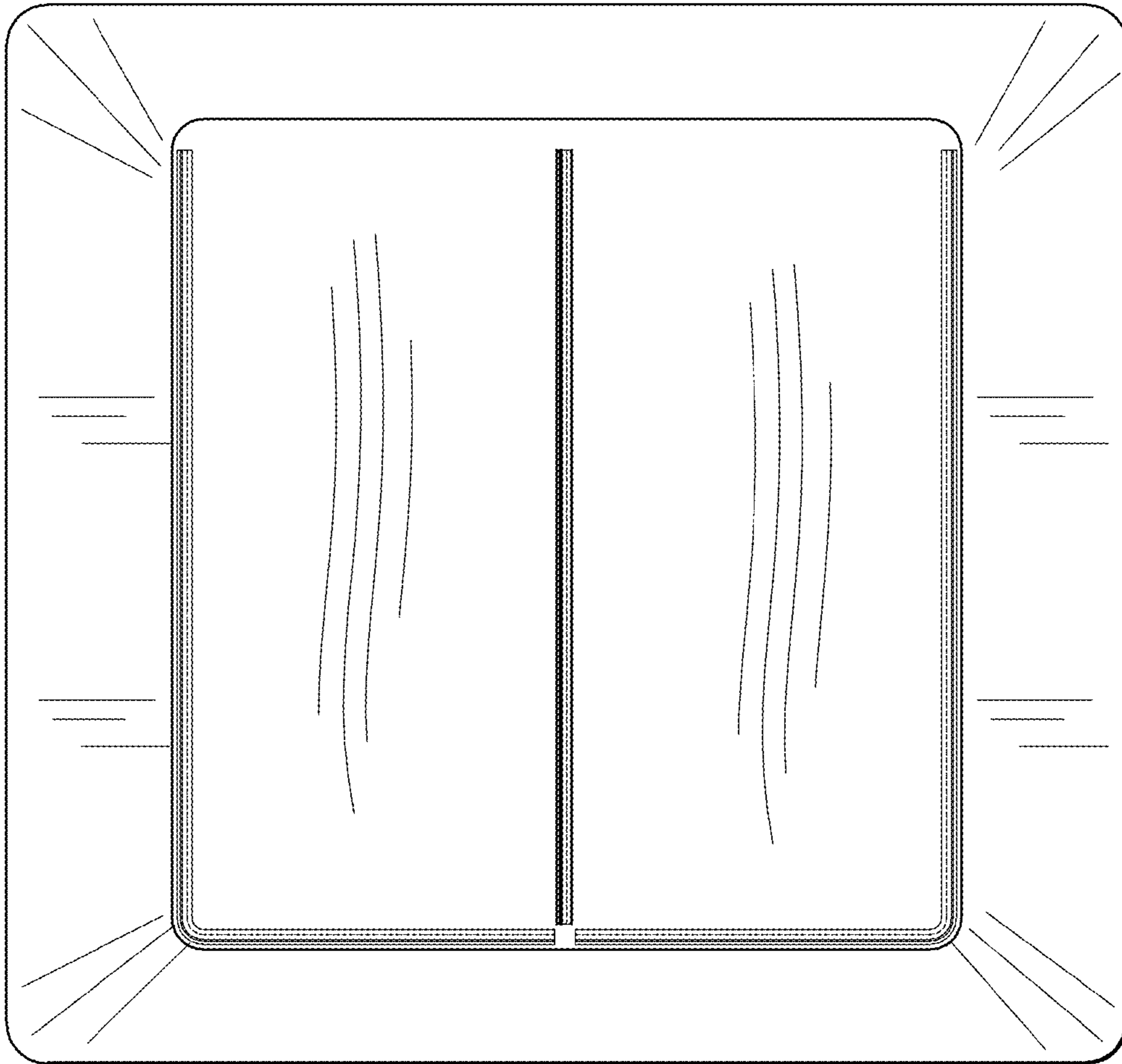
**Fig. 20**



**Fig. 21**



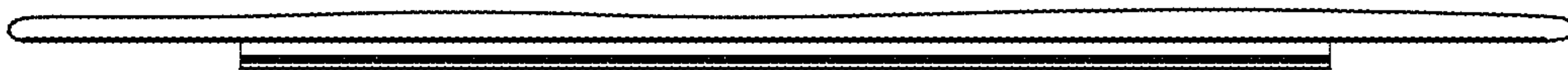
**Fig. 22**



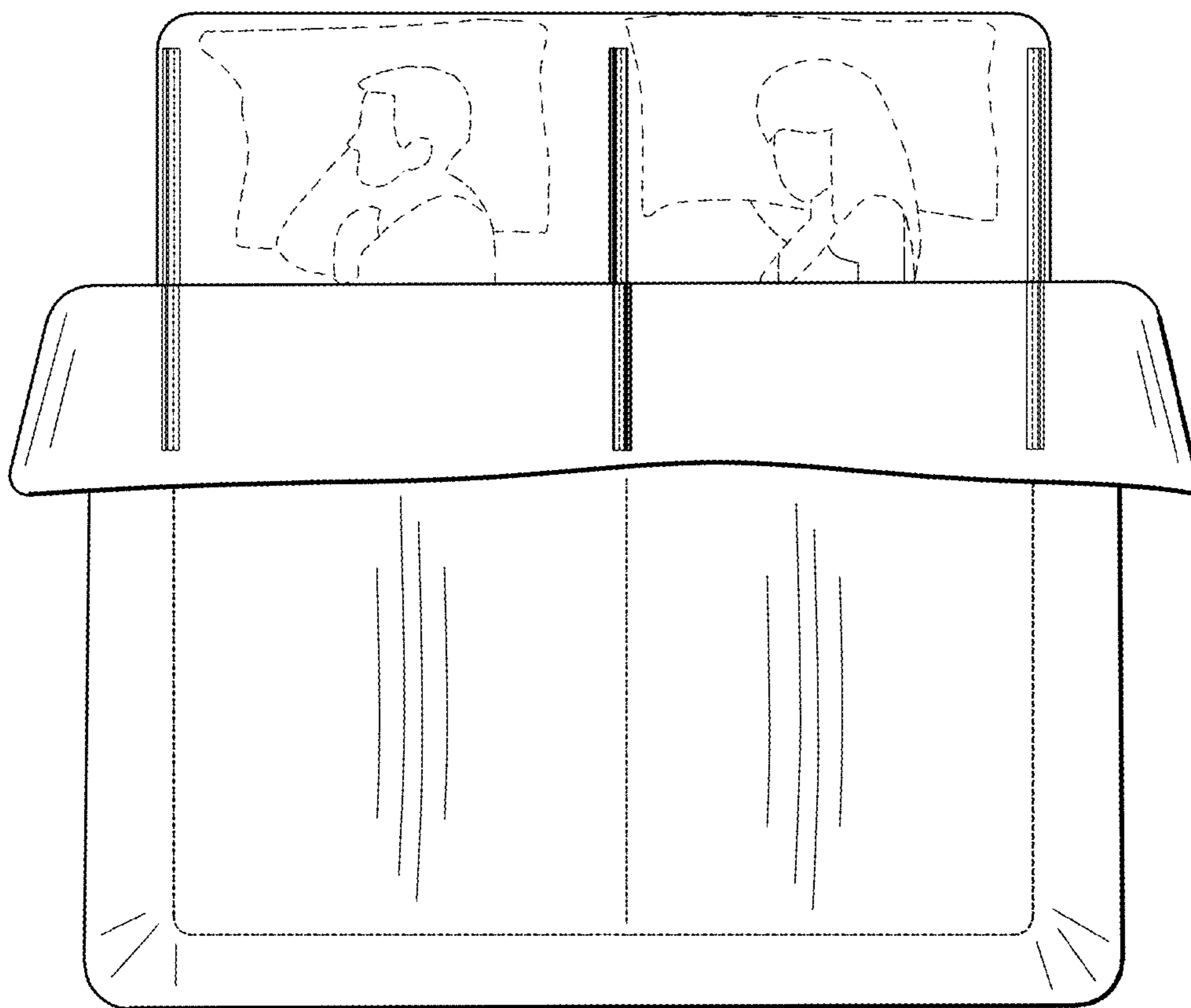
**Fig. 23**



**Fig. 24**



**Fig. 25**



**Fig. 26**