



US00D770808S

(12) **United States Design Patent**
Sheehan

(10) **Patent No.:** **US D770,808 S**

(45) **Date of Patent:** **** Nov. 8, 2016**

(54) **HAND REST CUSHION**

D738,645 S * 9/2015 Goetsch D6/601
D758,099 S * 6/2016 Pham D6/601

(71) Applicant: **Dennis M Sheehan**, Marlton, NJ (US)

* cited by examiner

(72) Inventor: **Dennis M Sheehan**, Marlton, NJ (US)

Primary Examiner — David Muller

(**) Term: **15 Years**

Assistant Examiner — Nathan Johnston

(21) Appl. No.: **29/556,652**

(74) *Attorney, Agent, or Firm* — Stuart M. Goldstein

(22) Filed: **Mar. 2, 2016**

(57) **CLAIM**

The ornamental design for a hand rest cushion, as shown and described.

(51) **LOC (10) Cl.** **06-09**

(52) **U.S. Cl.**

USPC **D6/601**

(58) **Field of Classification Search**

USPC D6/601; D28/56, 57, 61; 132/73;
248/118–118.1

CPC A45D 29/22; A45D 29/00

See application file for complete search history.

DESCRIPTION

FIG. 1 is a perspective view of the hand rest cushion of the present invention.

FIG. 2 is an elevation view of the hand rest cushion of the present invention.

FIG. 3 is an opposite elevation view of the hand rest cushion of the present invention.

FIG. 4 is a top view of the hand rest cushion of the present invention.

FIG. 5 is a bottom view of the hand rest cushion of the present invention.

FIG. 6 is an end view of the hand rest cushion of the present invention.

FIG. 7 is an opposite end view of the hand rest cushion of the present invention; and,

FIG. 8 is a perspective view of the hand rest cushion of the present invention in use condition.

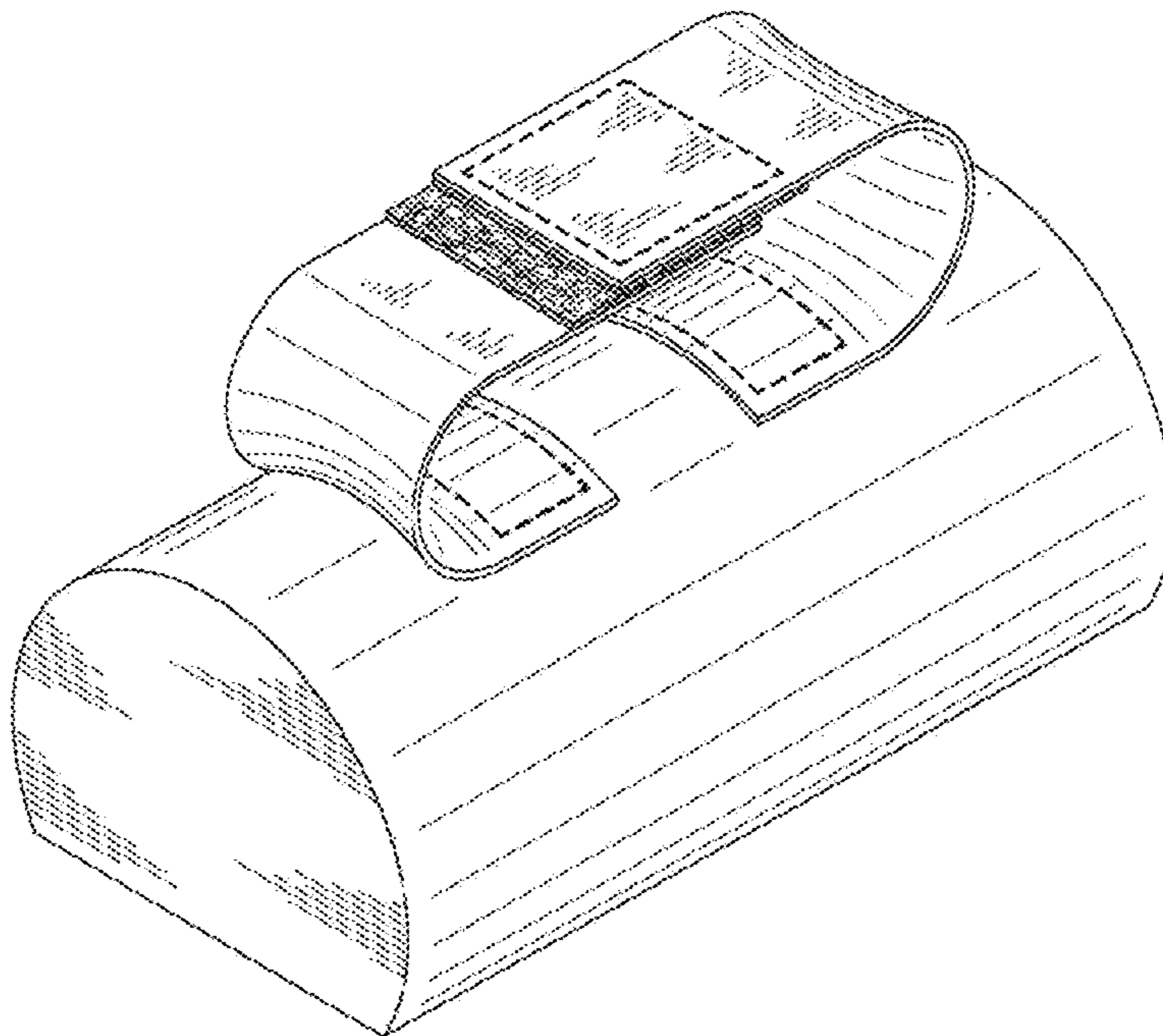
The dashed lines within the boundaries of the claimed invention are stitching and form no part of the claimed design. The remaining broken lines show environmental subject matter and form no part of the claimed design.

(56) **References Cited**

U.S. PATENT DOCUMENTS

- D47,140 S * 3/1915 Newkirk D6/601
- 2,850,342 A * 9/1958 Robinson A61G 13/12
248/118
- D273,915 S * 5/1984 Pike D6/349
- D311,295 S * 10/1990 Roberts D6/601
- D330,989 S * 11/1992 Evans D6/601
- D337,685 S * 7/1993 Bennett D6/601
- D406,486 S * 3/1999 Ogilvie D6/596
- D439,447 S * 3/2001 Diekman D6/601
- D505,291 S * 5/2005 Dalset D6/601
- 8,726,436 B2 * 5/2014 Wright A47G 9/1081
5/636
- D732,311 S * 6/2015 Lord D6/601

1 Claim, 7 Drawing Sheets



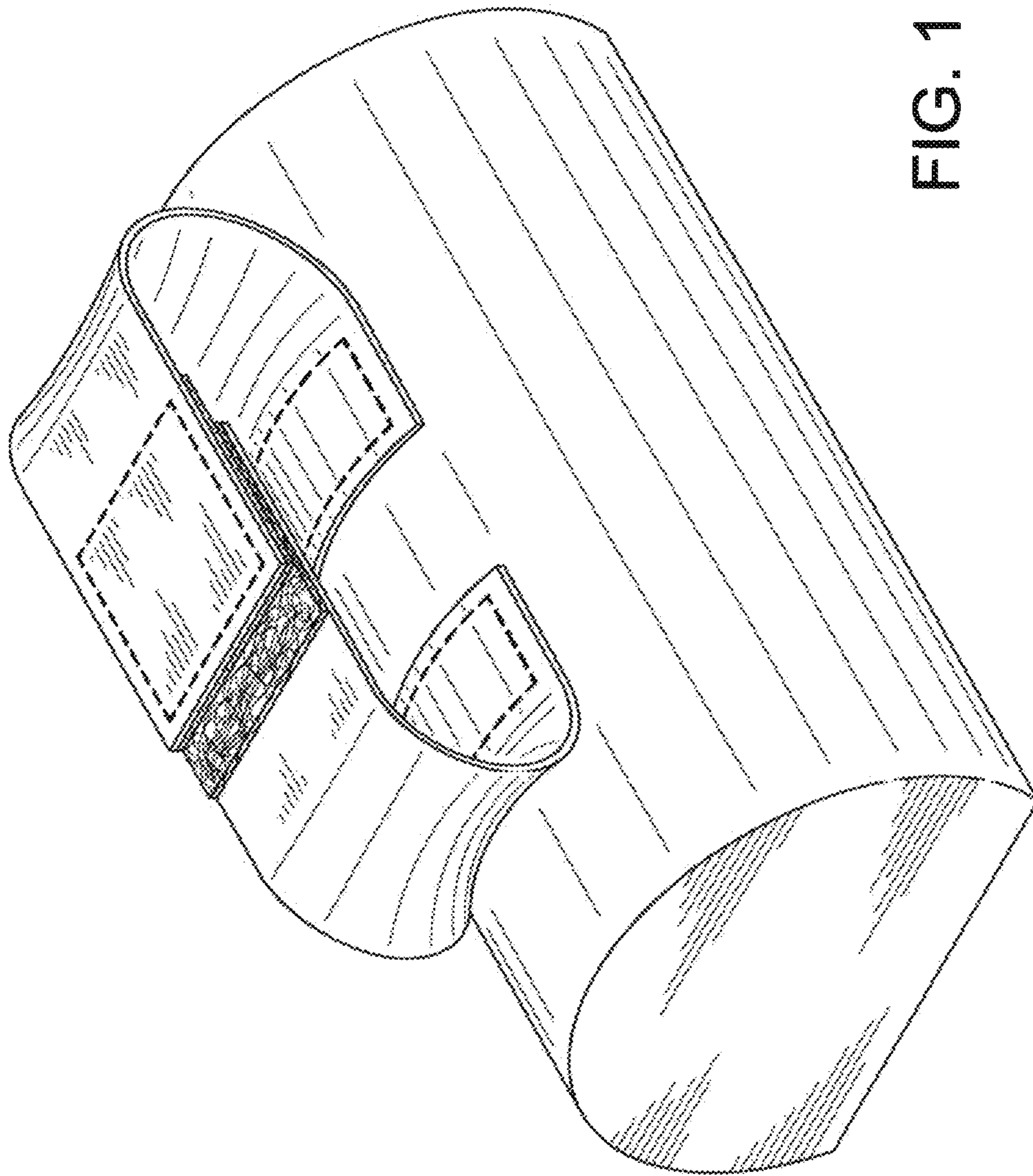


FIG. 1

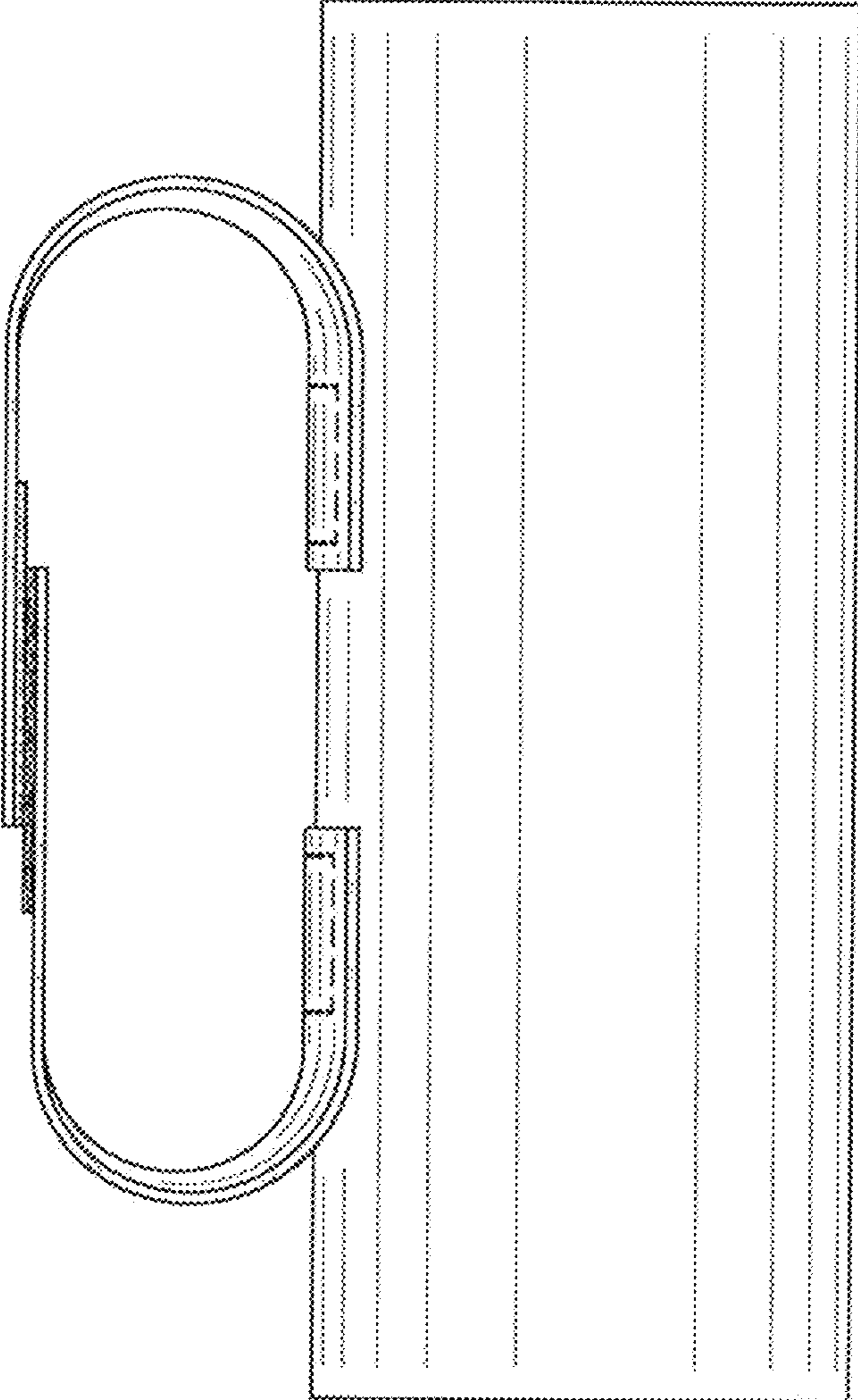


FIG. 2

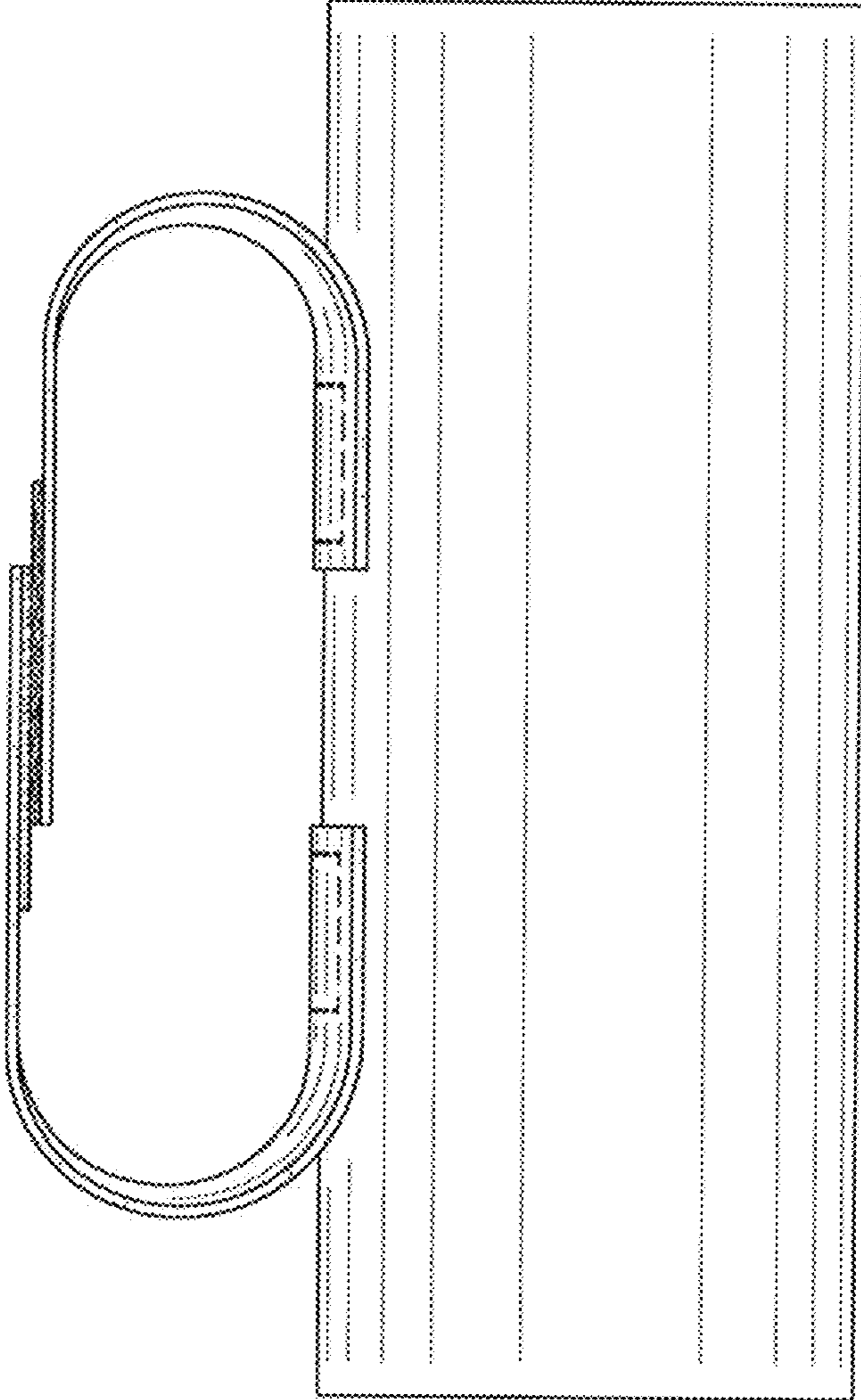


FIG. 3

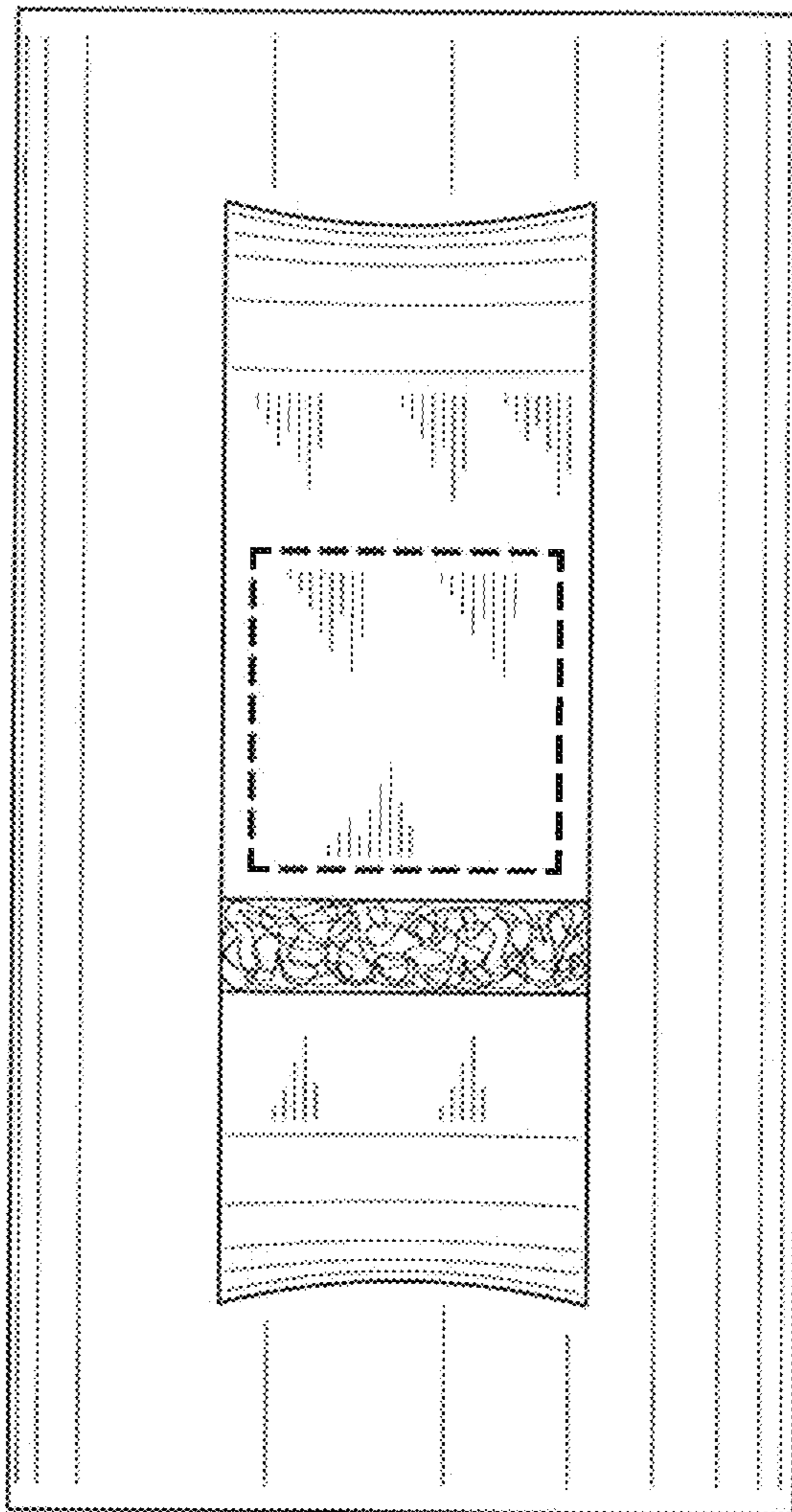


FIG. 4

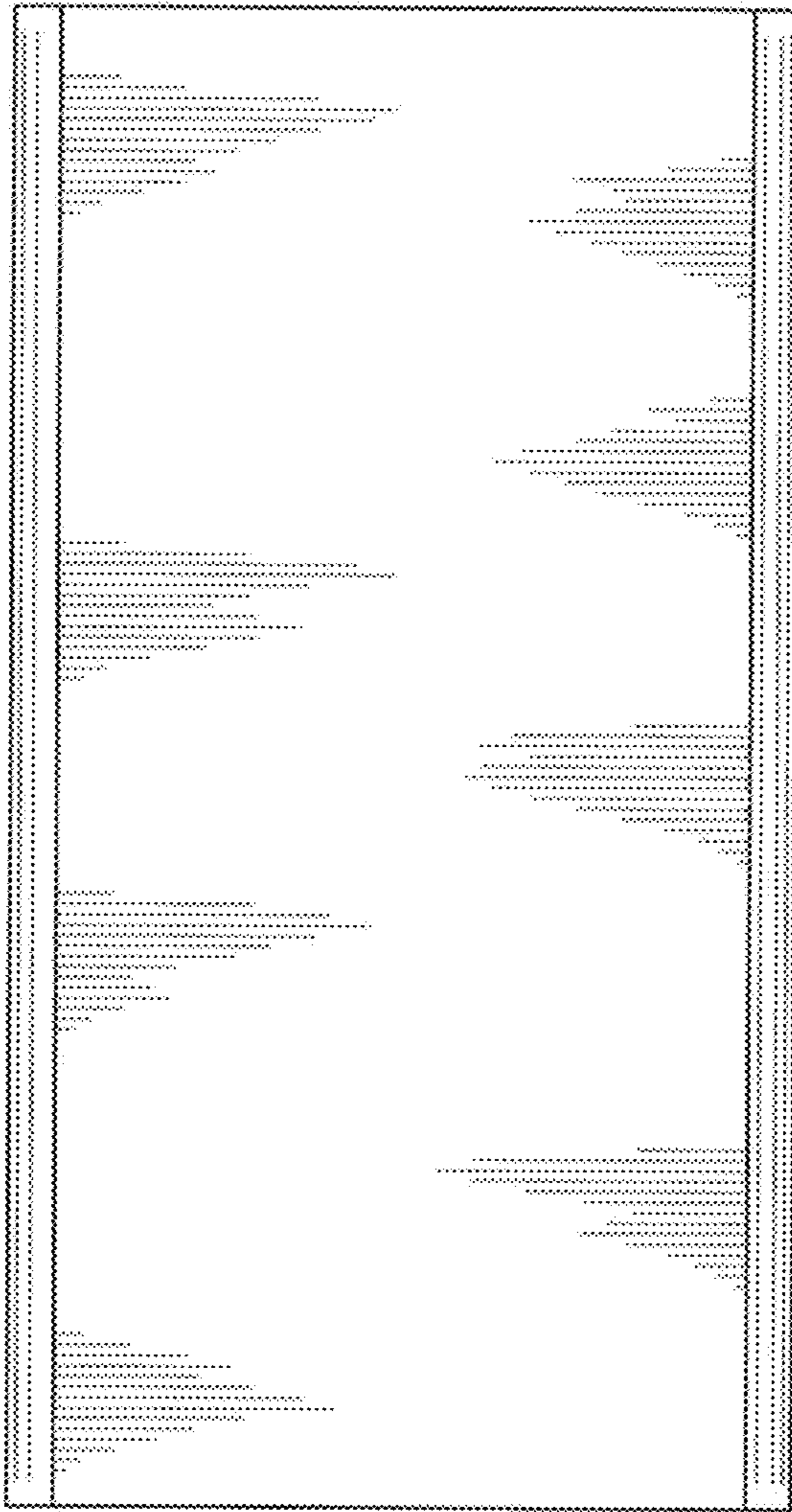


FIG. 5

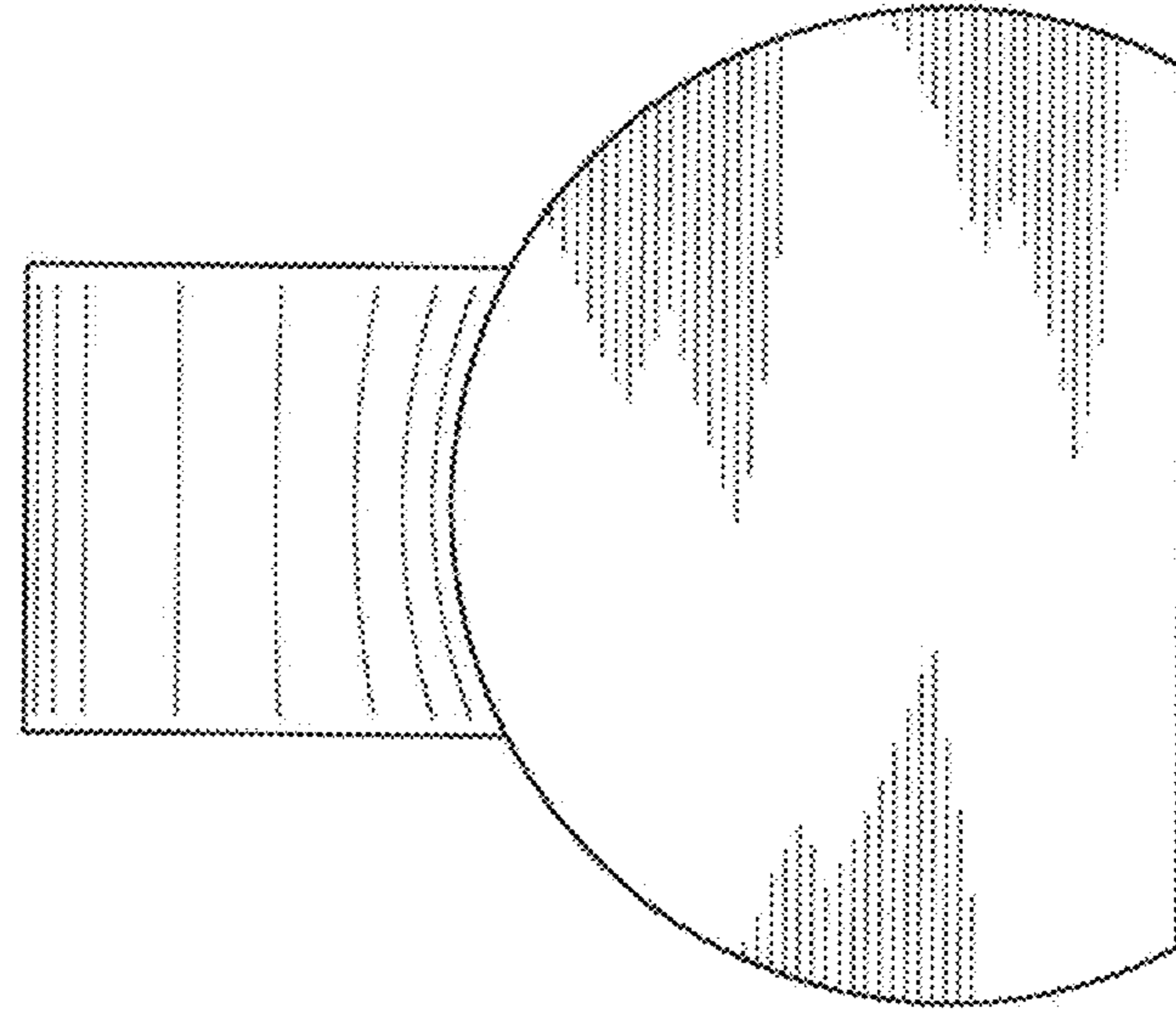


FIG. 6

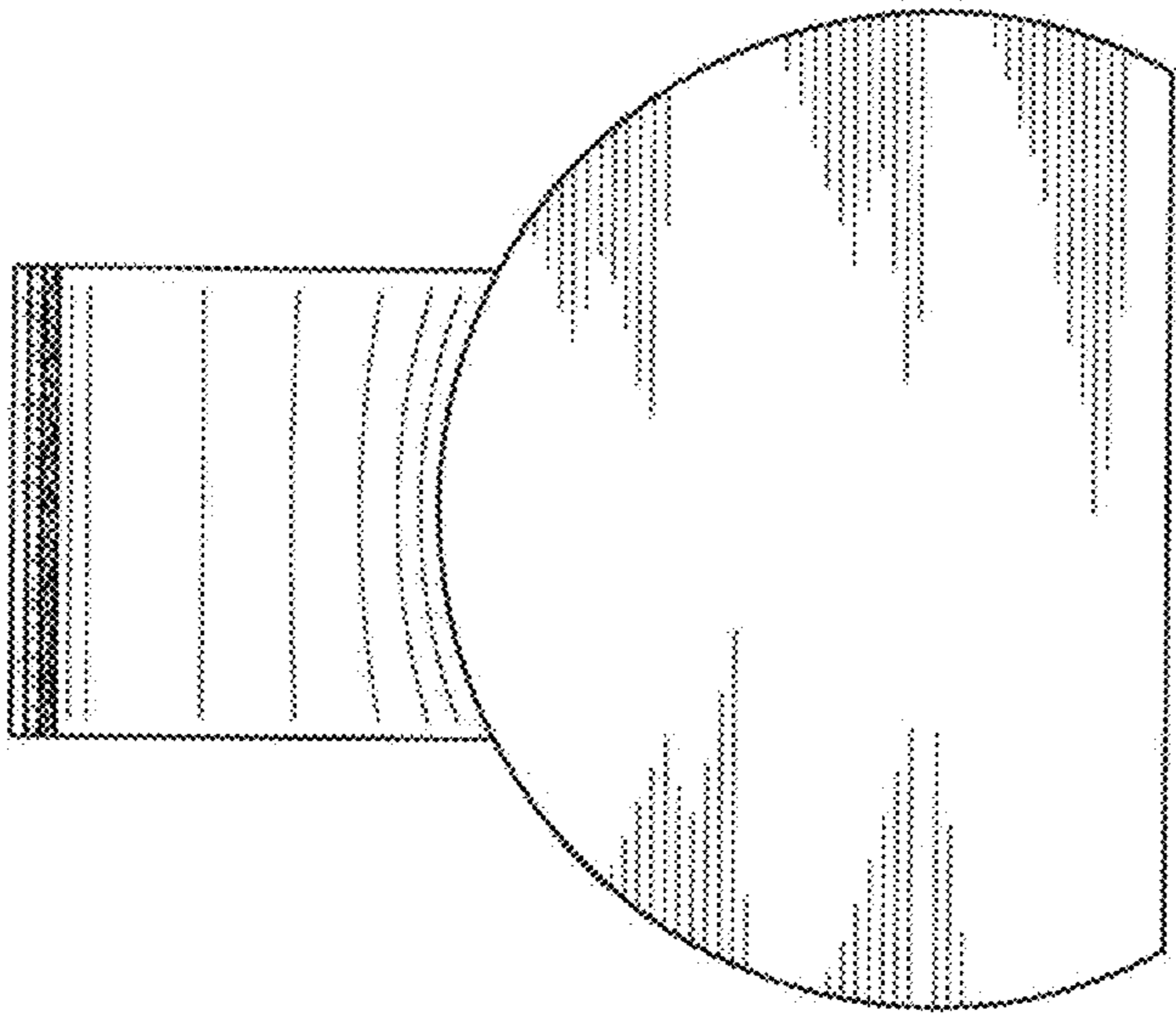


FIG. 7

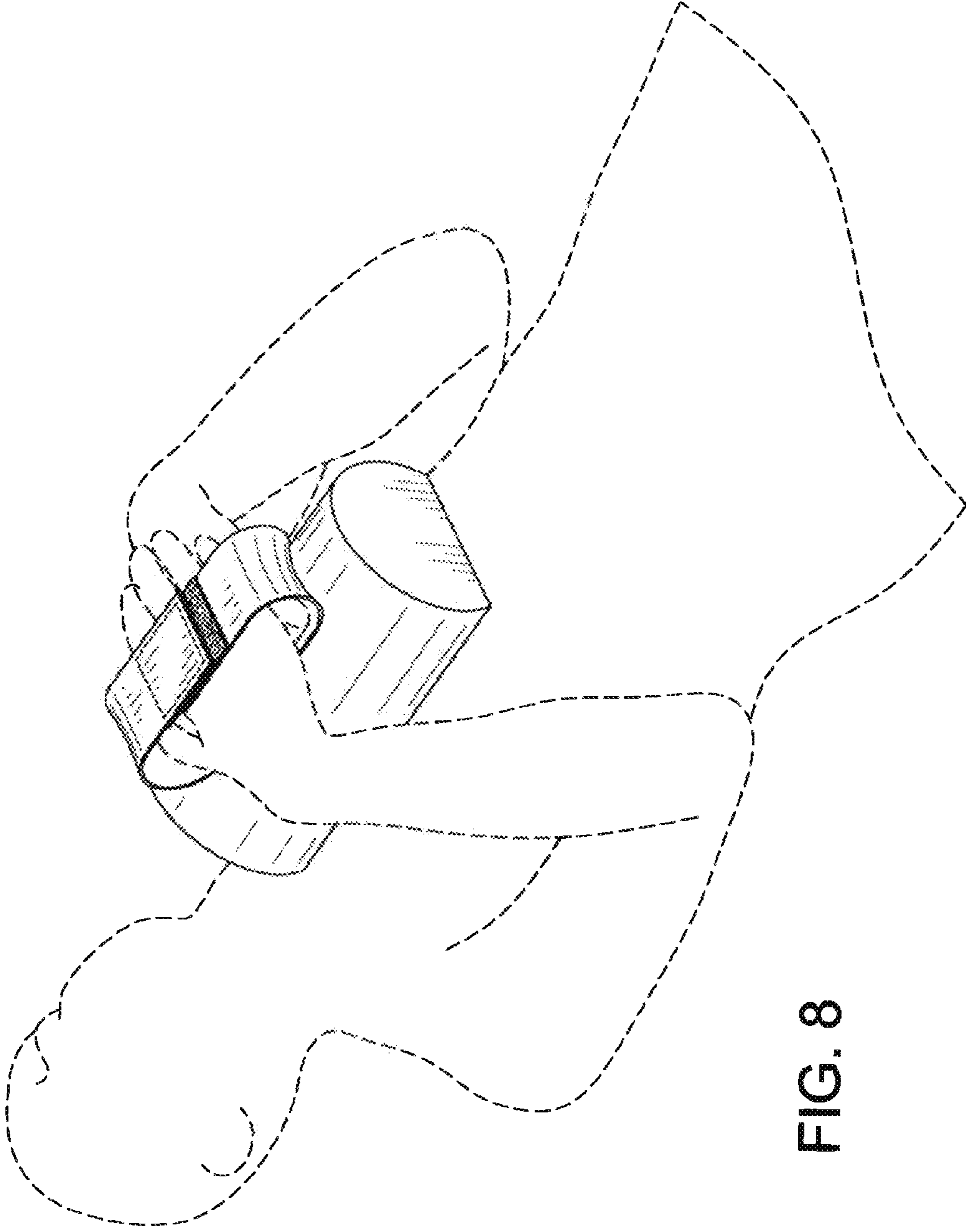


FIG. 8