



US00D770806S

(12) **United States Design Patent** (10) **Patent No.:** **US D770,806 S**  
**Canna et al.** (45) **Date of Patent:** **\*\* Nov. 8, 2016**

(54) **INFANT SUPPORT PILLOW**  
(71) Applicant: **Mattel, Inc.**, El Segundo, CA (US)  
(72) Inventors: **John S. Canna**, Orchard Park, NY (US); **Juliette Marlene Welch**, East Aurora, NY (US)  
(73) Assignee: **Mattel, Inc.**, El Segundo, CA (US)  
(\*\*) Term: **14 Years**

6,279,185 B1 8/2001 Matthews  
D450,516 S \* 11/2001 Darling ..... 5/655  
D450,517 S \* 11/2001 Darling ..... D6/596  
6,412,128 B1 7/2002 Matthews  
6,434,770 B2 8/2002 Matthews Brown  
6,453,493 B1 9/2002 Matthews Brown  
6,523,200 B2 2/2003 Brown  
6,564,408 B2 5/2003 Van Vuuren  
6,625,828 B2 9/2003 Matthews Brown  
6,640,977 B2 11/2003 Matthews Brown  
6,685,024 B1 2/2004 Matthews  
6,702,643 B1 \* 3/2004 Drosendahl ..... A63H 33/006  
446/175

(21) Appl. No.: **29/510,273**

(Continued)

(22) Filed: **Nov. 26, 2014**

FOREIGN PATENT DOCUMENTS

(51) **LOC (10) Cl.** ..... **06-09**

JP 2013052094 A 3/2013

(52) **U.S. Cl.**  
USPC ..... **D6/601**

*Primary Examiner* — Mary Ann Calabrese

(58) **Field of Classification Search**  
USPC ..... D6/595–601, 604; D21/803, 804;  
D24/193  
CPC ..... A47C 7/383; A47C 20/00; A47C 20/25;  
A47D 13/00; A47D 13/08; A47G 9/00;  
A47G 9/10; A47G 9/1027; A47G 9/1036;  
A47G 9/1081; A47G 2009/1018; A61F  
5/05883; A61F 5/05891; A63H 33/006  
See application file for complete search history.

(74) *Attorney, Agent, or Firm* — Edell, Shapiro & Finnan, LLC

(57) **CLAIM**

The ornamental design for an infant support pillow, as shown and described.

**DESCRIPTION**

(56) **References Cited**

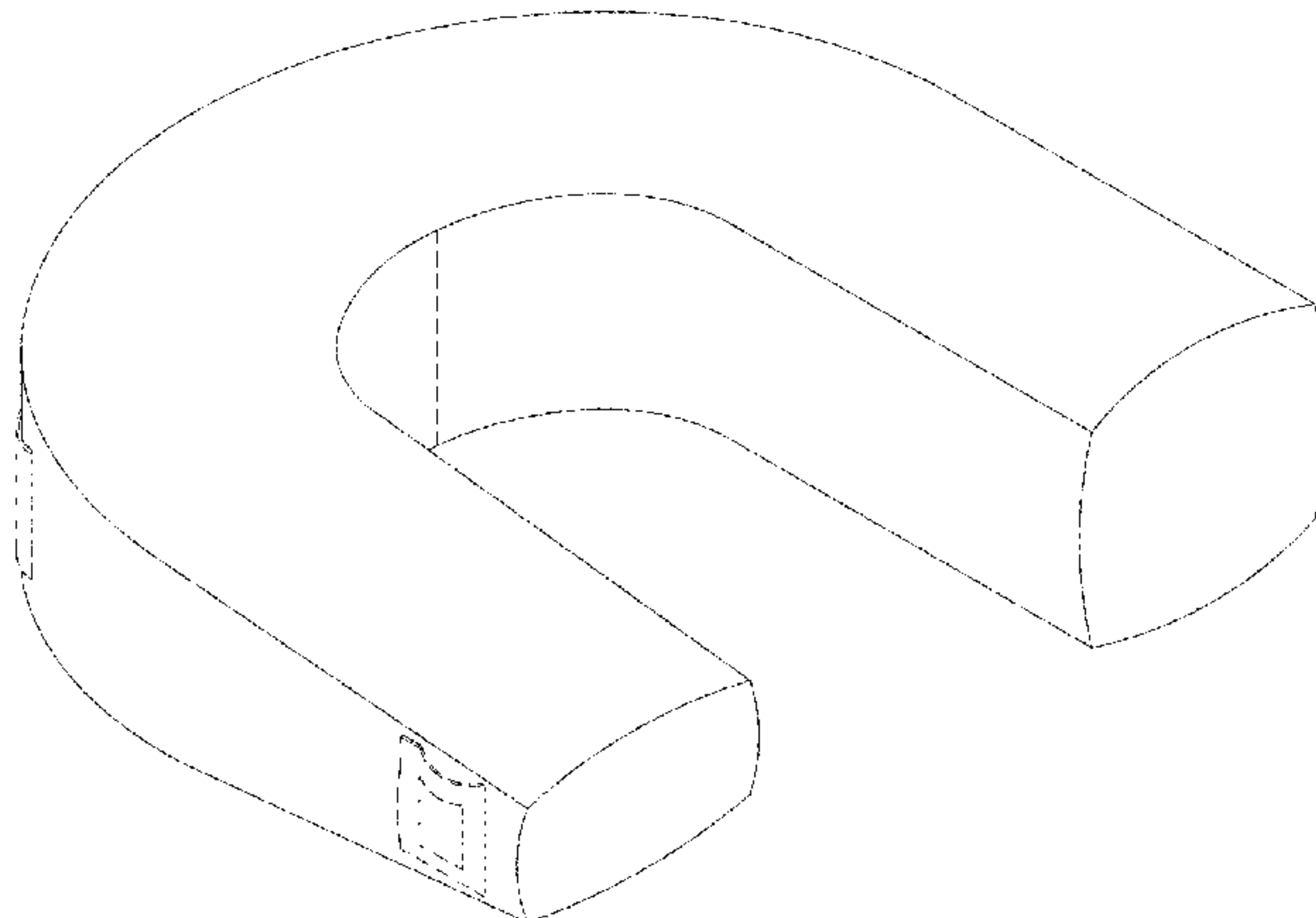
U.S. PATENT DOCUMENTS

2,078,022 A 4/1937 Roemer  
2,561,931 A \* 7/1951 Kleiser ..... A47G 9/10  
135/90  
5,261,134 A 11/1993 Matthews  
5,546,620 A 8/1996 Matthews  
5,581,833 A 12/1996 Zenoff  
5,930,854 A \* 8/1999 O'Neill ..... A47D 13/063  
135/135  
D416,745 S \* 11/1999 Noyes ..... D6/601  
6,038,720 A 3/2000 Matthews et al.  
6,055,687 A \* 5/2000 Matthews ..... A47C 7/383  
446/28  
6,119,873 A 9/2000 Matthews

FIG. 1 is a top perspective view of an infant support pillow according to the present invention;  
FIG. 2 is a top view of the infant support pillow of FIG. 1;  
FIG. 3 is a bottom view of the infant support pillow of FIG. 1;  
FIG. 4 is a front view of the infant support pillow of FIG. 1;  
FIG. 5 is a rear view of the infant support pillow of FIG. 1;  
FIG. 6 is a right side view of the infant support pillow of FIG. 1; and,  
FIG. 7 is a left side view of the infant support pillow of FIG. 1.

The broken lines shown in the figures are included for the purpose of illustrating the unclaimed portions of the article and form no part of the claimed design.

**1 Claim, 7 Drawing Sheets**



(56)

References Cited

U.S. PATENT DOCUMENTS

6,763,539 B1	7/2004	Bartley		7,832,036 B2	11/2010	Littlehorn et al.
6,810,545 B1 *	11/2004	Darling .....	A47D 13/08 5/630	D660,634 S *	5/2012	Papp ..... D6/596
6,851,143 B2	2/2005	Matthews Brown		D663,002 S *	7/2012	Zucchelli ..... D21/803
6,857,150 B2	2/2005	Matthews Brown et al.		8,321,977 B1	12/2012	Kummerfeld
6,892,406 B2	5/2005	Littlehorn		8,328,594 B2	12/2012	Hall
6,944,898 B2	9/2005	Matthews Brown		8,332,978 B2 *	12/2012	Warnock ..... A61F 5/05891 128/845
7,000,274 B2	2/2006	Matthews Brown		8,460,053 B2	6/2013	Fair et al.
7,000,275 B2	2/2006	Matthews Brown et al.		D685,212 S *	7/2013	Rivera ..... D6/601
7,000,766 B2	2/2006	Matthews Brown		8,495,775 B2	7/2013	Fair
7,017,212 B2	3/2006	Matthews Brown		8,516,638 B2	8/2013	Kummerfeld et al.
7,089,639 B2	8/2006	Matthews Brown		8,595,872 B2	12/2013	Tidwell
7,127,760 B2	10/2006	Bartley		D704,963 S *	5/2014	McNeil ..... D6/601
7,146,663 B2	12/2006	Brown		8,719,982 B2	5/2014	Kelly
7,290,303 B2	11/2007	Mead et al.		D713,171 S *	9/2014	Fair ..... D6/601
7,322,061 B2	1/2008	Carroll		9,155,974 B2 *	10/2015	Fair ..... A63H 33/006
7,404,222 B2	7/2008	Tidwell		2002/0042953 A1	4/2002	Matthews Brown
7,430,774 B2	10/2008	Littlehorn et al.		2009/0017718 A1	1/2009	Bryan et al.
7,587,773 B2	9/2009	Littlehorn et al.		2009/0205140 A1	8/2009	Reese et al.
7,624,461 B2	12/2009	Tidwell		2011/0154572 A1	6/2011	Fair et al.
				2011/0156455 A1	6/2011	Fair et al.
				2011/0163520 A1	7/2011	Fair et al.
				2013/0145556 A1	6/2013	Kummerfeld et al.

\* cited by examiner

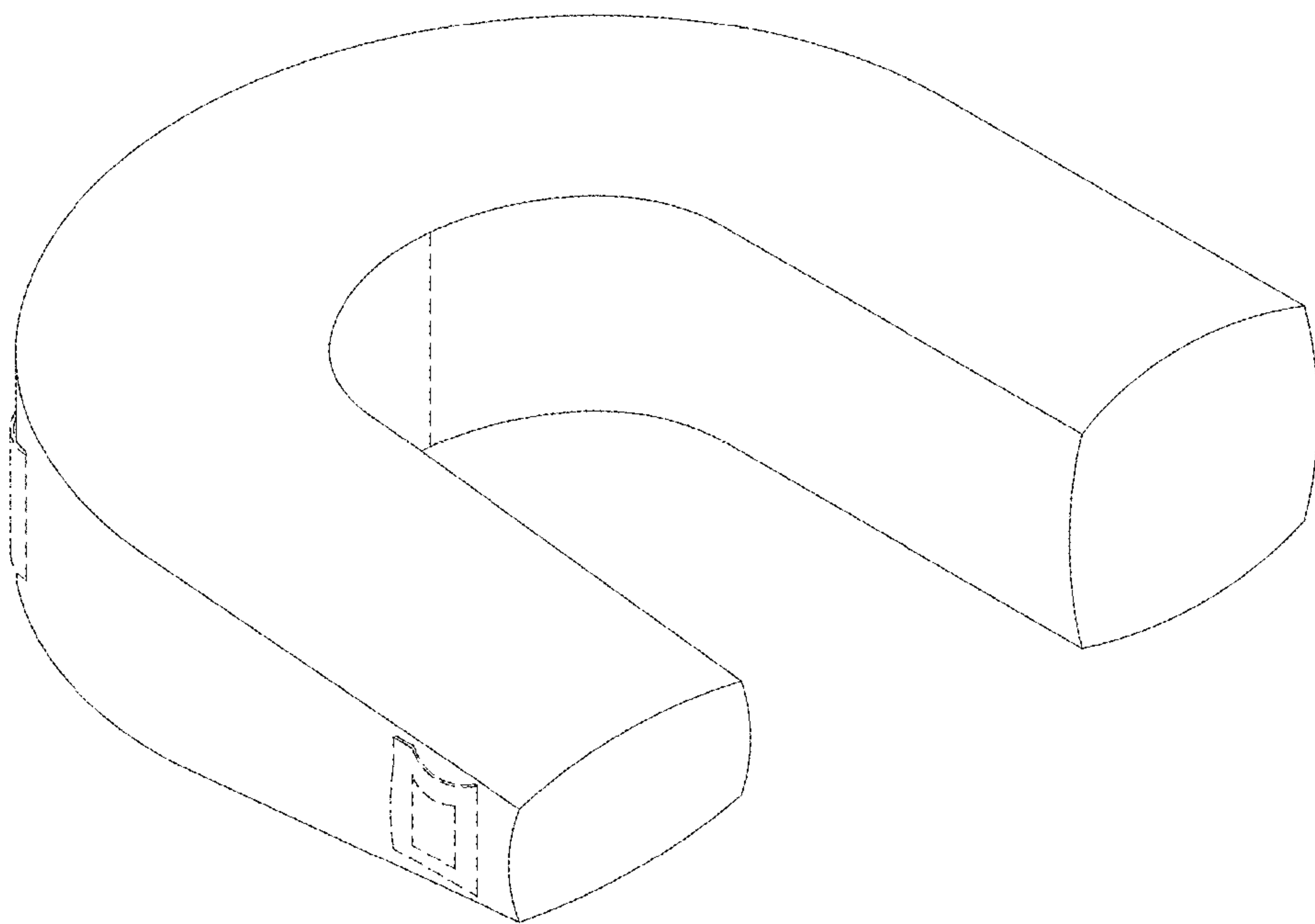


FIG.1

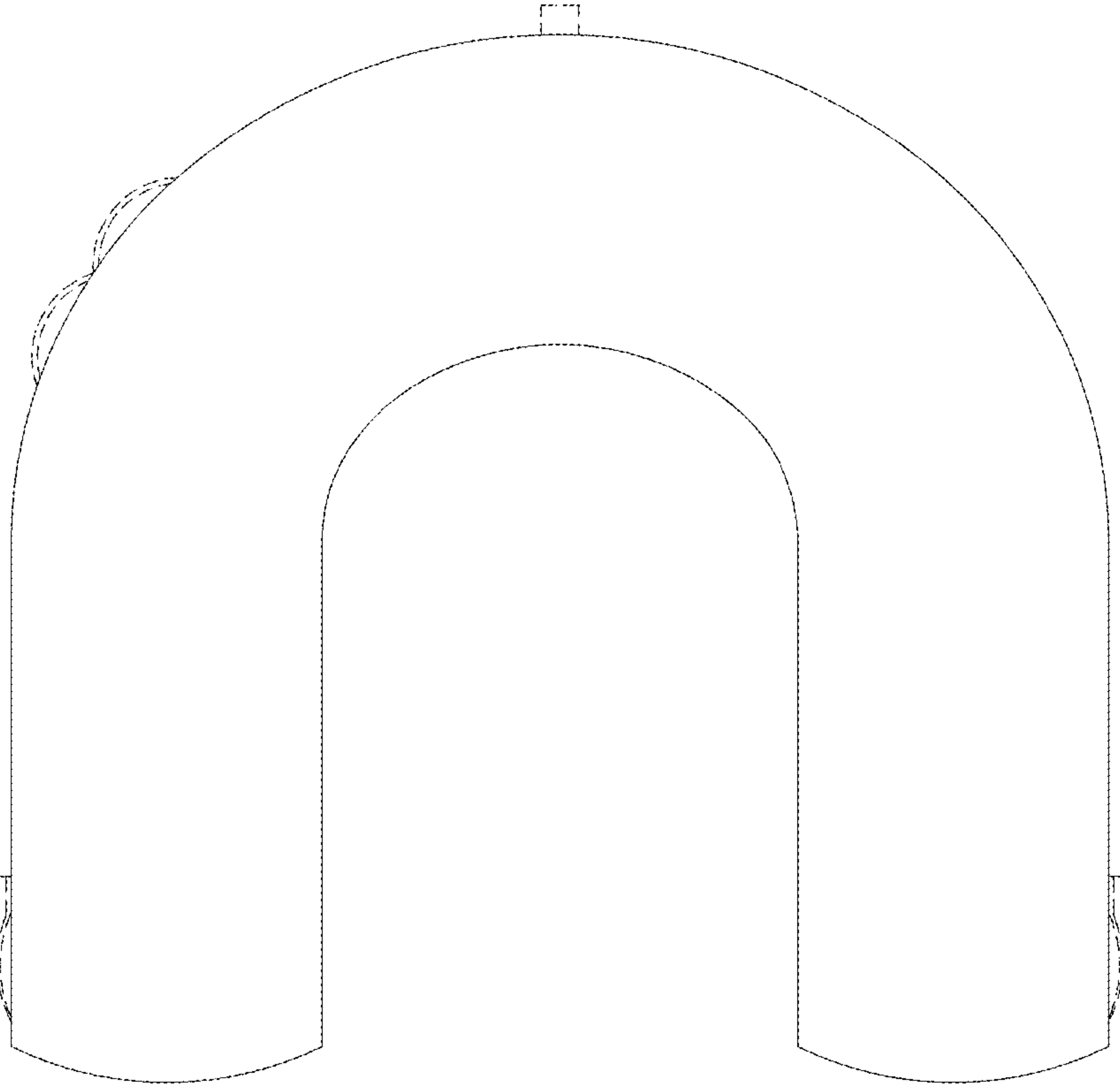


FIG.2

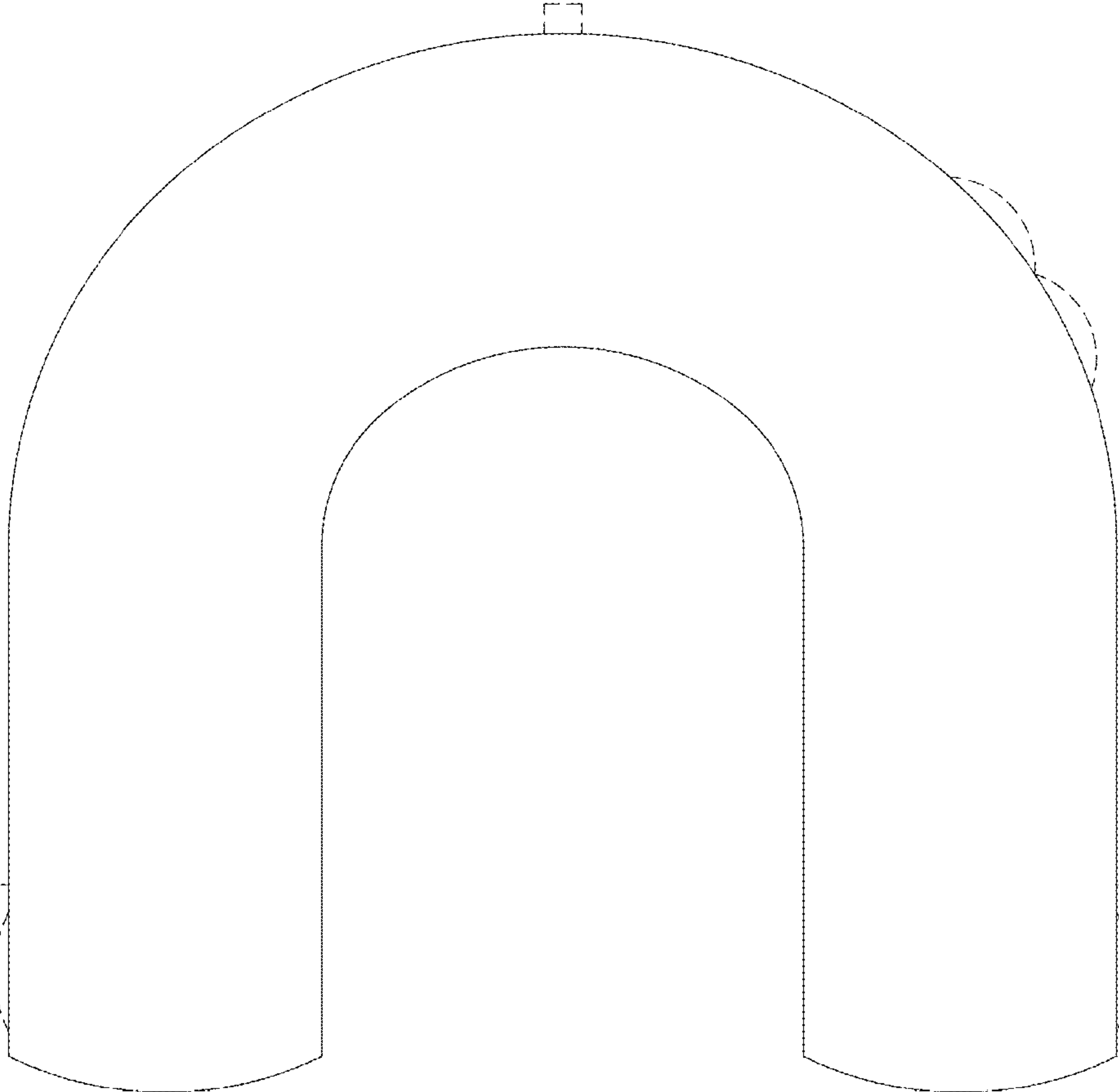


FIG.3

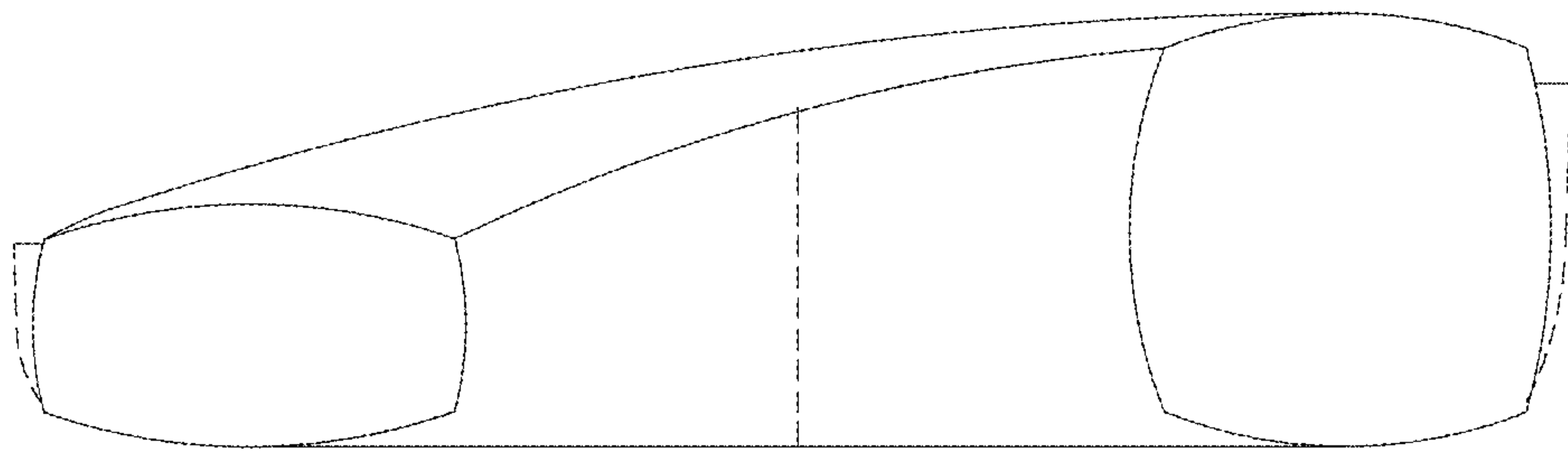


FIG.4

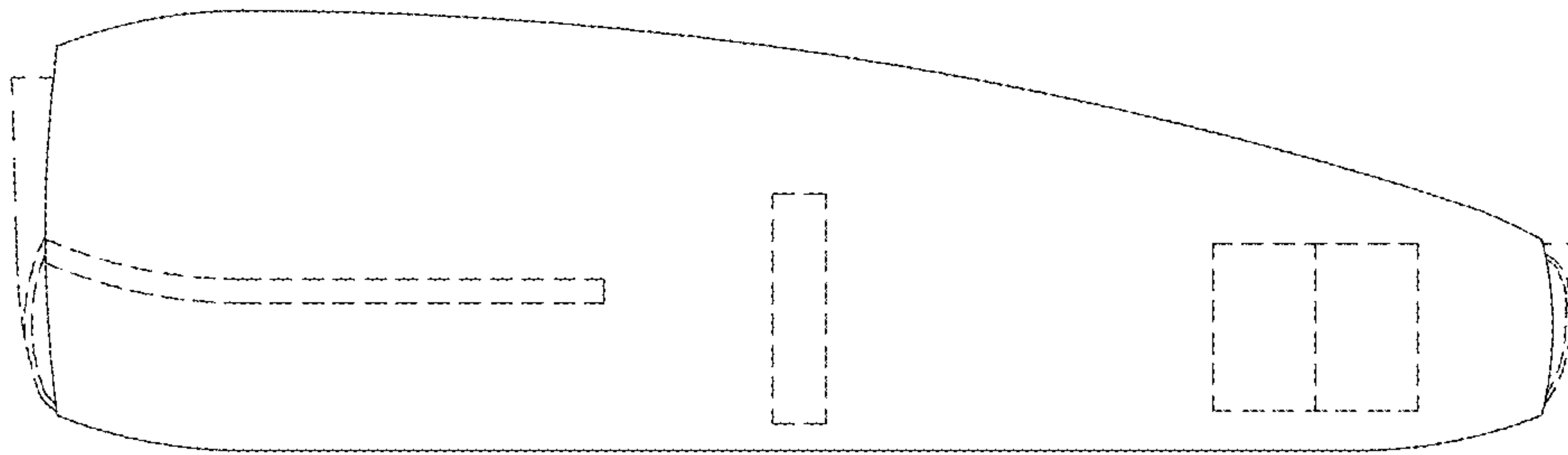


FIG.5

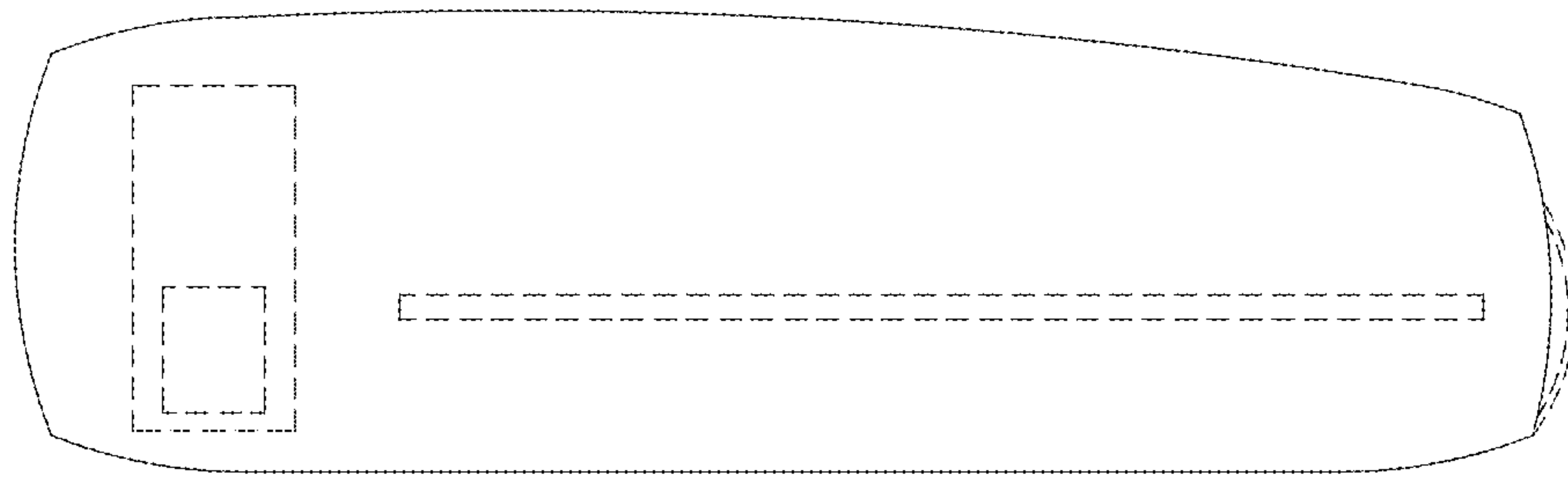


FIG. 6



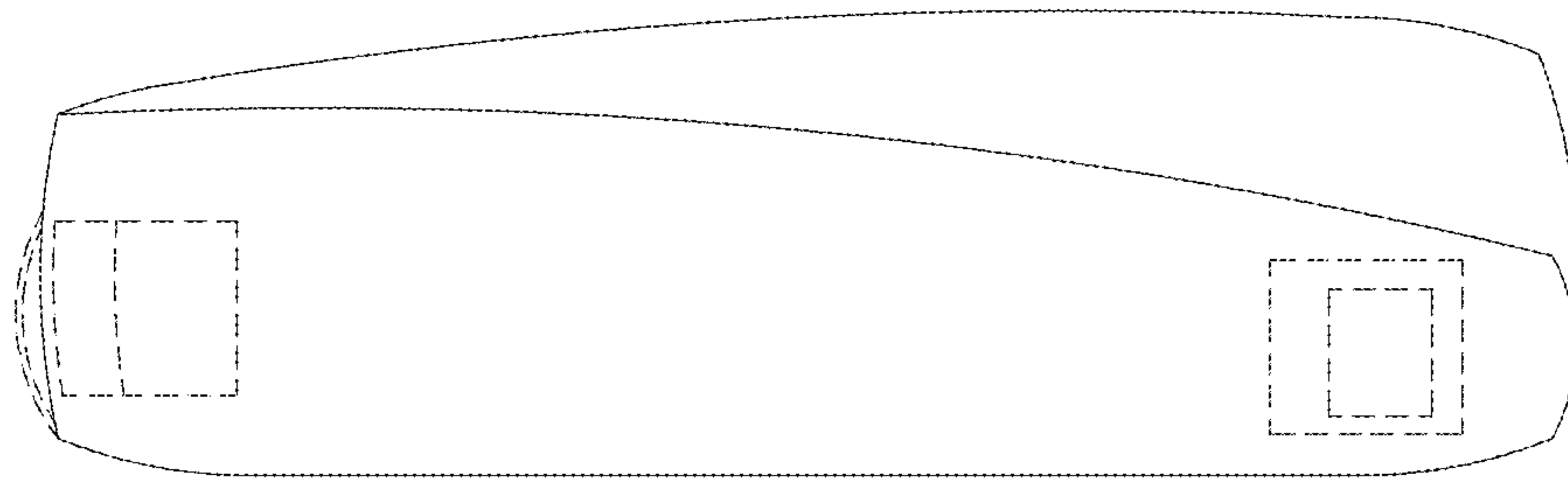


FIG.7