



US00D770804S

(12) **United States Design Patent** (10) **Patent No.:** **US D770,804 S**  
**Goodman et al.** (45) **Date of Patent:** **\*\* Nov. 8, 2016**

(54) **MAIL AND KEY HOLDER**

**OTHER PUBLICATIONS**

(71) Applicant: **Spectrum Diversified Designs, Inc.**,  
Streetsboro, OH (US)

Design U.S. Appl. No. 29/509,483, filed Nov. 18, 2014.  
Design U.S. Appl. No. 29/509,487, filed Nov. 18, 2014.

(72) Inventors: **Sheldon H. Goodman**, Solon, OH  
(US); **Phaysouk Xayoiphonh**, Akron,  
OH (US)

\* cited by examiner

(73) Assignee: **Spectrum Diversified Designs, LLC**,  
Streetsboro, OH (US)

*Primary Examiner* — Wan Laymon  
*Assistant Examiner* — Mark Booker

(74) *Attorney, Agent, or Firm* — Renner, Otto, Boisselle  
& Sklar, LLP

(\*\*) Term: **15 Years**

(21) Appl. No.: **29/543,431**

(57) **CLAIM**

The ornamental design for a mail and key holder, as shown  
and described.

(22) Filed: **Oct. 23, 2015**

(51) **LOC (10) Cl.** ..... **06-04**

(52) **U.S. Cl.**

USPC ..... **D6/566**

**DESCRIPTION**

(58) **Field of Classification Search**

USPC ..... D6/566; D19/75-77, 78-80, 86, 87,  
D19/89-90, 91, 92; 206/215, 425, 556, 557;  
211/10, 11, 42, 45, 50, 88.01, 126.1,  
211/106

CPC .. B65D 85/8043; A47B 17/03; A47G 29/10;  
A47G 29/12

See application file for complete search history.

FIG. 1 is a perspective view of a mail and key holder  
showing our new design;  
FIG. 2 is a front view thereof;  
FIG. 3 is a rear view thereof;  
FIG. 4 is a right side view thereof;  
FIG. 5 is a left side view thereof;  
FIG. 6 is a top view thereof;  
FIG. 7 is a bottom view thereof; and,  
FIG. 8 is a perspective view of the mail and key holder, but  
with a different panel insert.

(56) **References Cited**

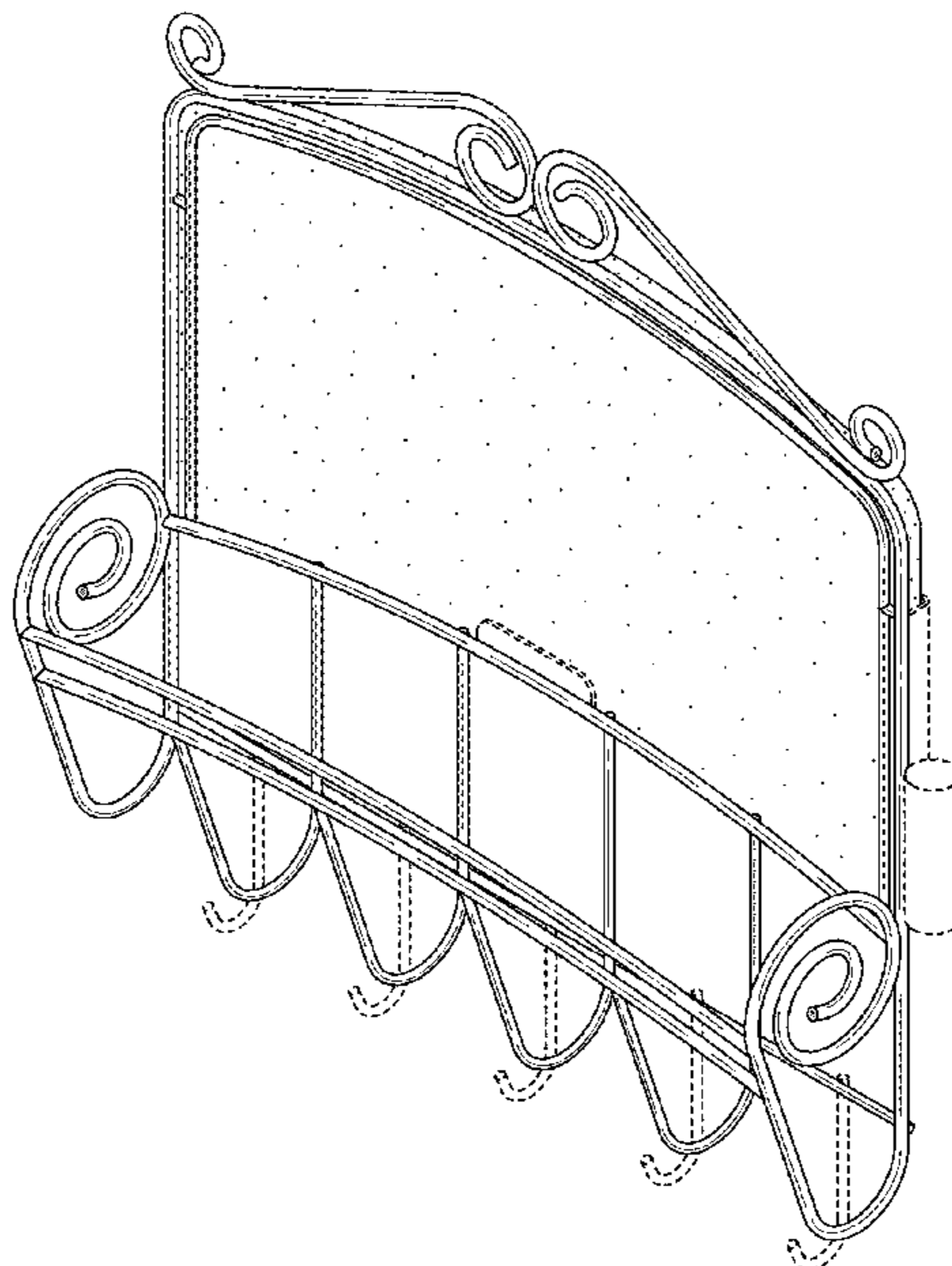
**U.S. PATENT DOCUMENTS**

D452,533	S	*	12/2001	Goodman	.....	D19/90
D575,973	S	*	9/2008	Goodman	.....	D6/566
D584,091	S	*	1/2009	Goodman	.....	D6/566
D666,855	S	*	9/2012	Goodman	.....	D6/566
D710,628	S	*	8/2014	Goodman	.....	D6/566
D734,818	S	*	7/2015	Goodman	.....	D19/90
D759,990	S	*	6/2016	Goodman	.....	D6/566

The stippling on the panel insert of FIGS. 1-7 represents  
shading of a surface having contrast to the surface of the  
wire frame.

The broken lines shown in the figures represent portions of  
the mail and key holder that form no part of the claimed  
design.

**1 Claim, 6 Drawing Sheets**



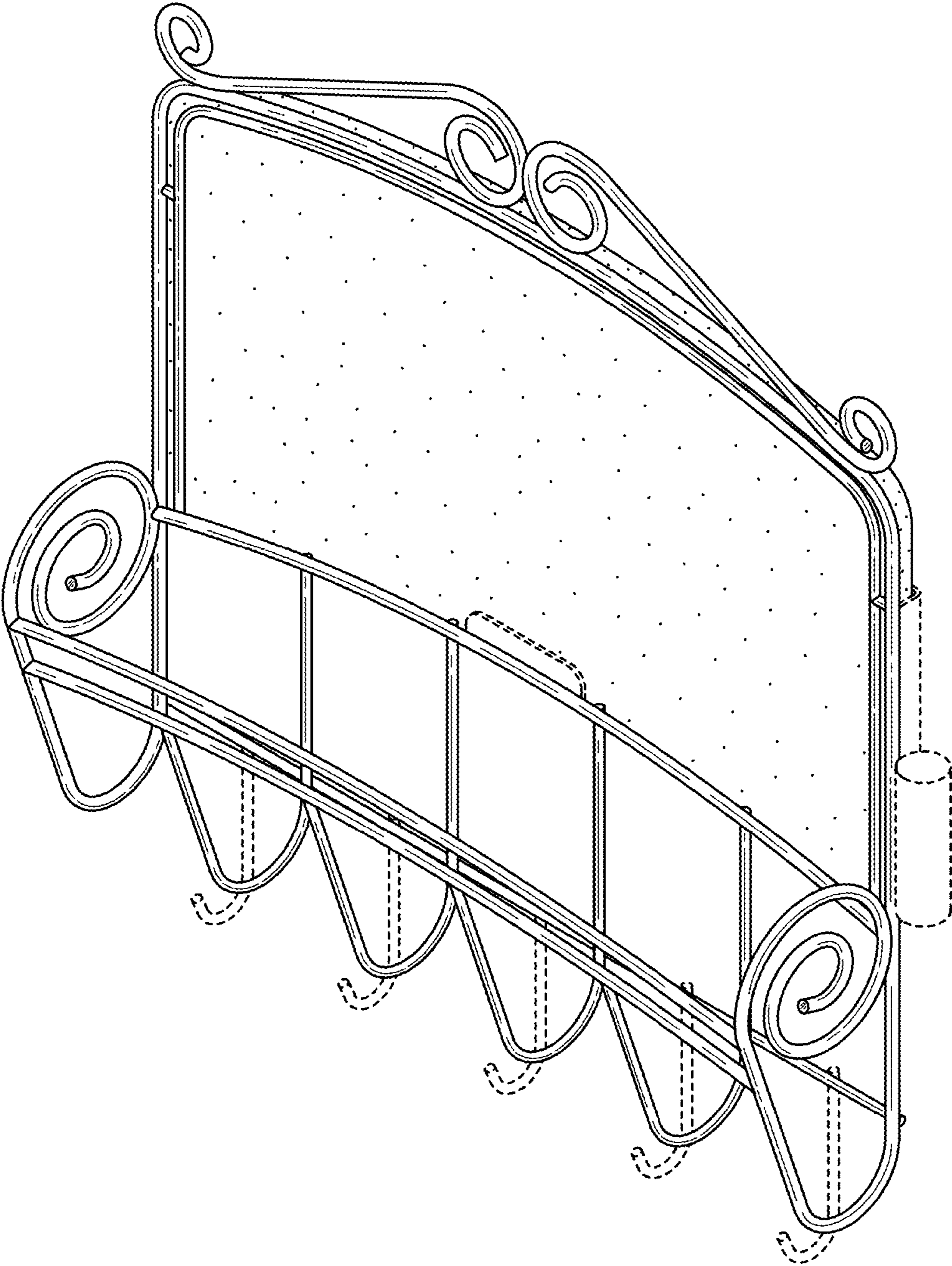


FIG. 1

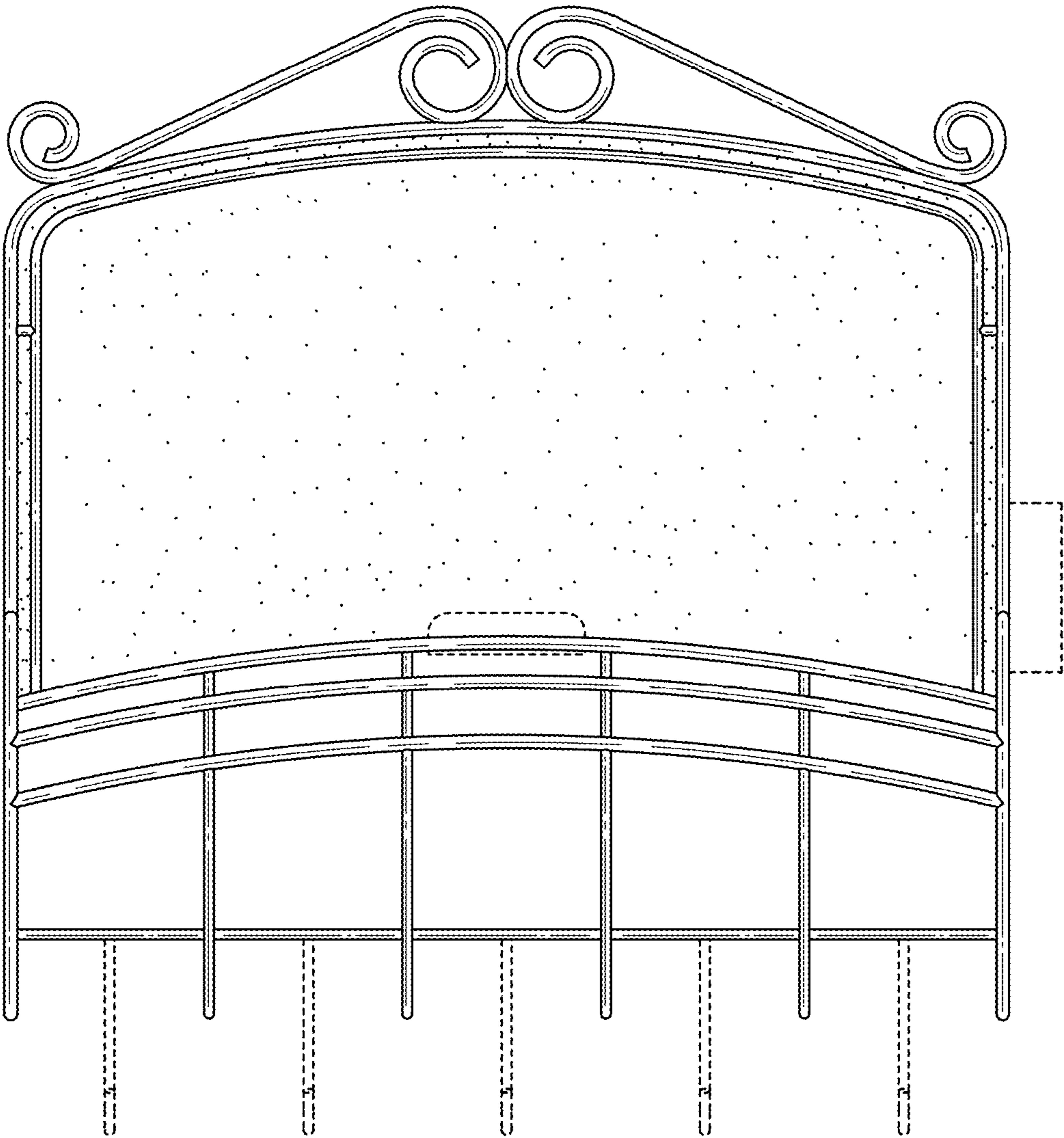


FIG. 2



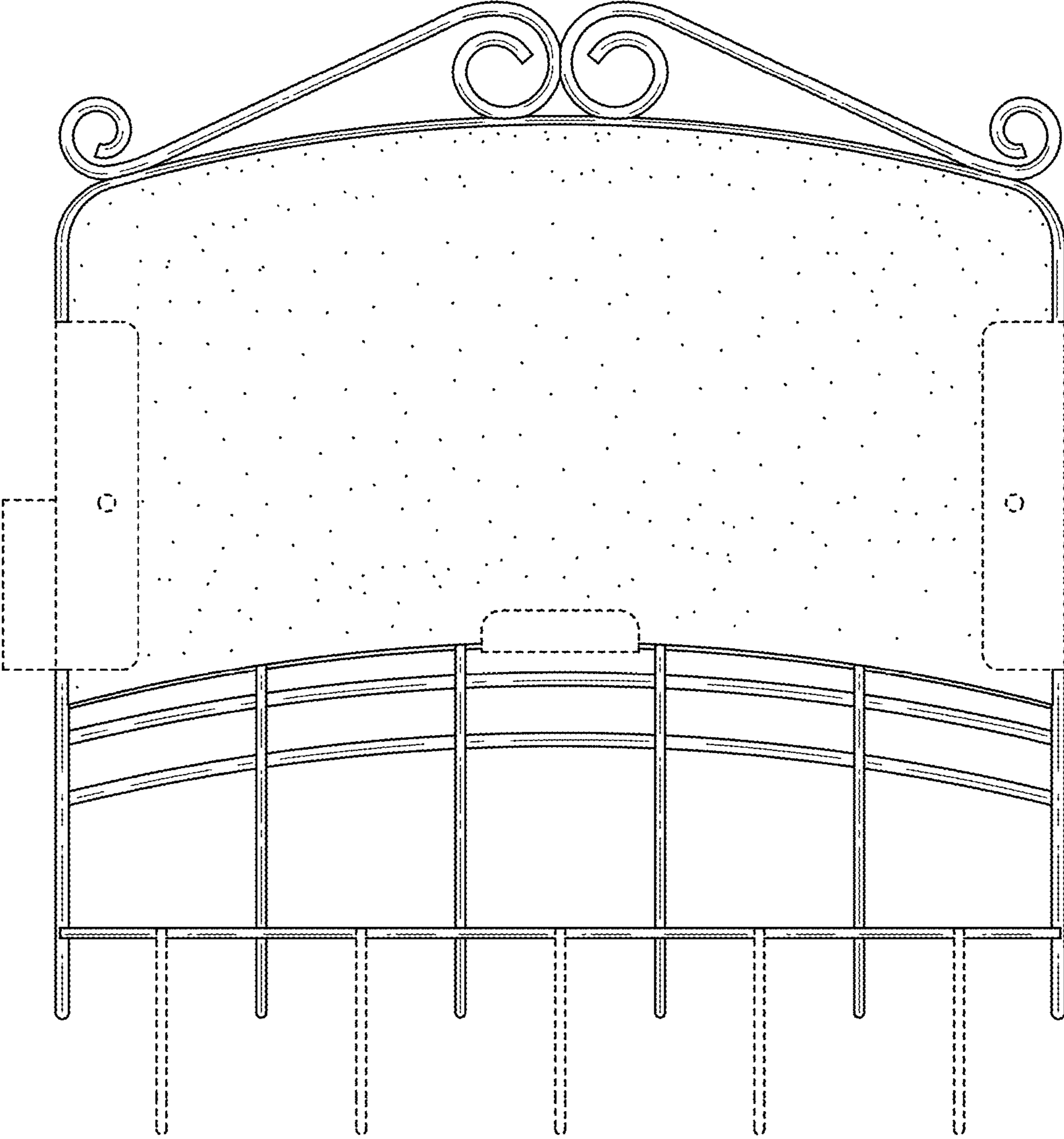


FIG. 3

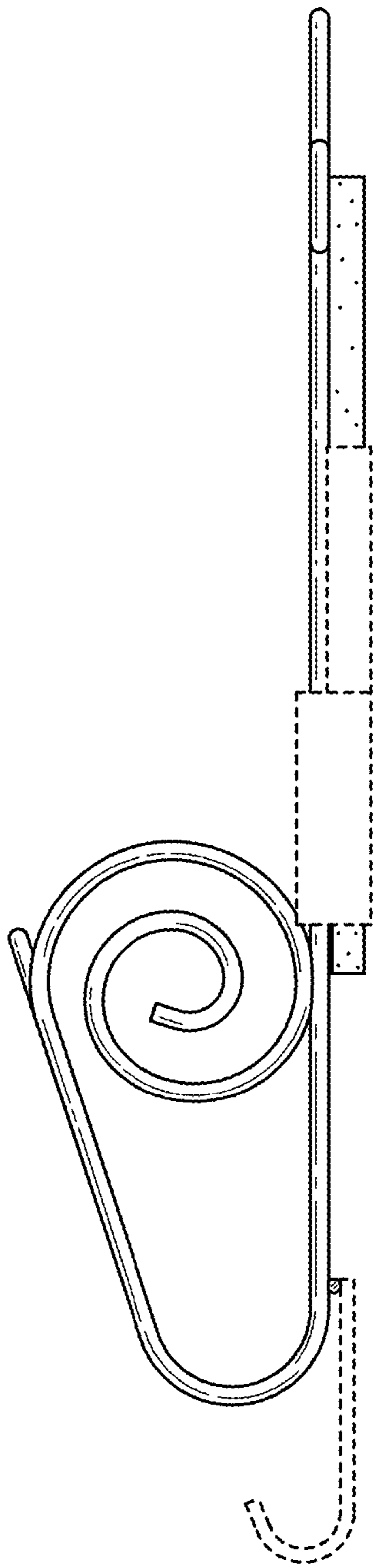


FIG. 4

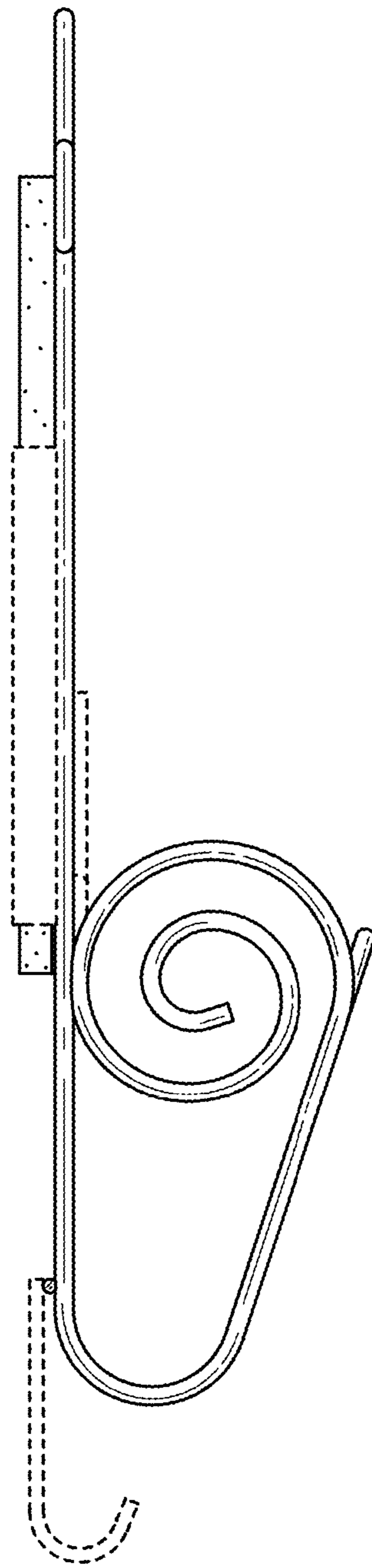


FIG. 5

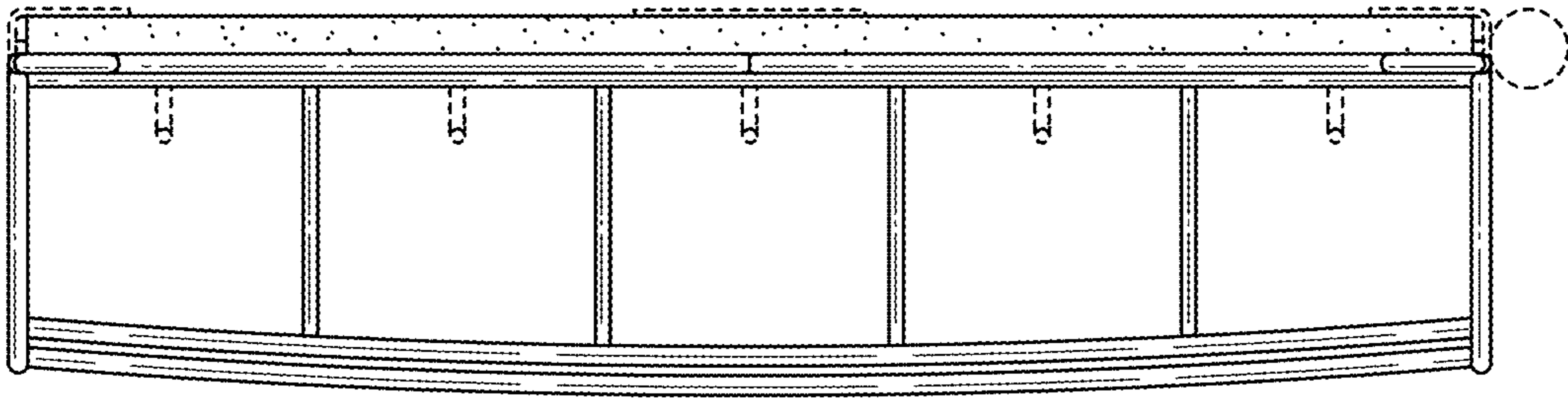


FIG. 6

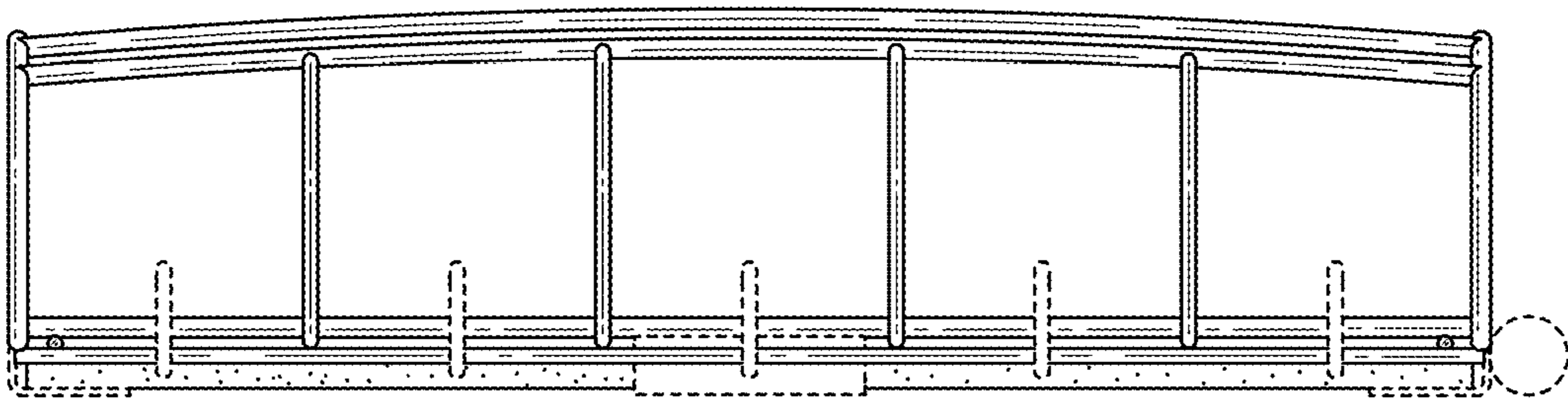


FIG. 7

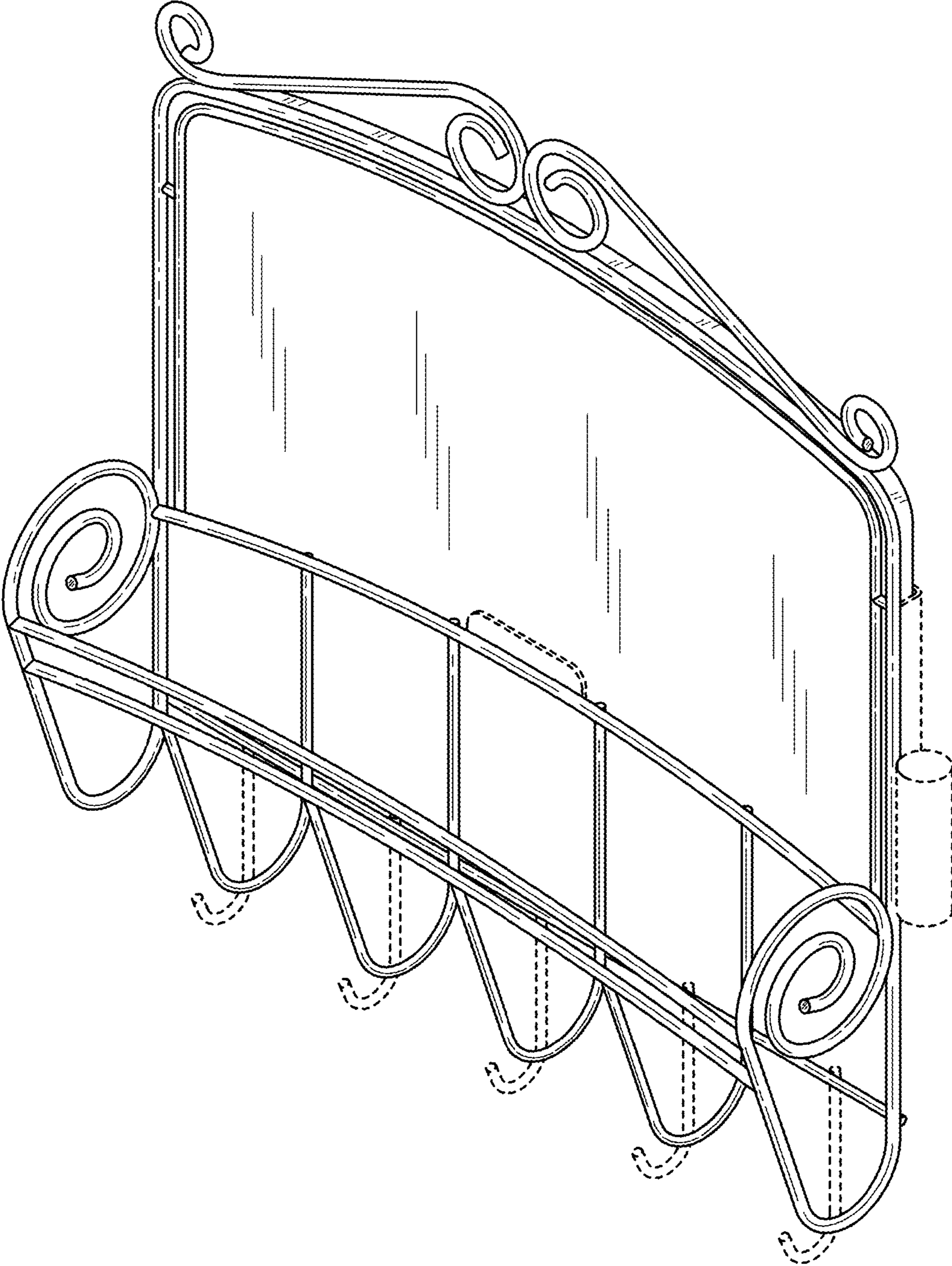


FIG. 8