



US00D770803S

(12) **United States Design Patent**  
**Parsons**

(10) **Patent No.:** **US D770,803 S**

(45) **Date of Patent:** **\*\* Nov. 8, 2016**

(54) **HANDGUN RACK**

(71) Applicant: **James H. Parsons**, Berthoud, CO (US)

(72) Inventor: **James H. Parsons**, Berthoud, CO (US)

(\*\*) Term: **14 Years**

(21) Appl. No.: **29/504,767**

(22) Filed: **Oct. 9, 2014**

(51) **LOC (10) Cl.** ..... **08-08**

(52) **U.S. Cl.**  
USPC ..... **D6/562**

(58) **Field of Classification Search**

USPC ..... D6/552, 553, 567; D22/109; 42/99;  
89/37.04; 211/13.1, 60.1, 64;  
248/206.5, 309.4, 467, 537, 683  
CPC ..... F41A 23/18; F41A 23/10; F41A 17/44;  
F41A 23/16; F41A 29/00; B60R 7/14;  
B60R 5/04; B60R 11/00

See application file for complete search history.

(56) **References Cited**

**U.S. PATENT DOCUMENTS**

2,774,563	A	12/1956	Pribis
2,877,689	A	3/1959	Pribis
D252,001	S	6/1979	Arnold
4,449,314	A	5/1984	Sorensen

(Continued)

**OTHER PUBLICATIONS**

Parsons, James H., co-owned Design U.S. Appl. No. 29/517,956 titled "Firearm Support" filed Feb. 18, 2015.

*Primary Examiner* — Wan Laymon

*Assistant Examiner* — Mark Booker

(74) *Attorney, Agent, or Firm* — Trenner Law Firm, LLC;  
Mark D. Trenner

(57) **CLAIM**

The ornamental design for a handgun rack, as shown and described.

**DESCRIPTION**

FIG. 1 is a perspective exploded view of the handgun rack in an unassembled configuration;

FIG. 2 is a perspective view of a shelf of the handgun rack; FIG. 3 is a front side view of the shelf corresponding to FIG. 2, wherein the back side view is a mirror image of the front side view;

FIG. 4 is a left side view of the shelf corresponding to FIG. 2, wherein the right side view is a mirror image of the left side view;

FIG. 5 is a top side view of the shelf corresponding to FIG. 2;

FIG. 6 is a bottom side view of the shelf corresponding to FIG. 2;

FIG. 7 is a perspective view of a support of the handgun rack;

FIG. 8 is a front side view of the support corresponding to FIG. 7, wherein the back side view is a mirror image of the front side view;

FIG. 9 is a left side view of the support corresponding to FIG. 7, wherein the right side view is a mirror image of the left side view;

FIG. 10 is a top side view of the shelf corresponding to FIG. 7;

FIG. 11 is a bottom side view of the shelf corresponding to FIG. 7;

FIG. 12 is a perspective view of the handgun rack in an assembled configuration, wherein a handgun is shown in dashed lines to show use of the handgun rack, wherein the handgun does not form a part of the design;

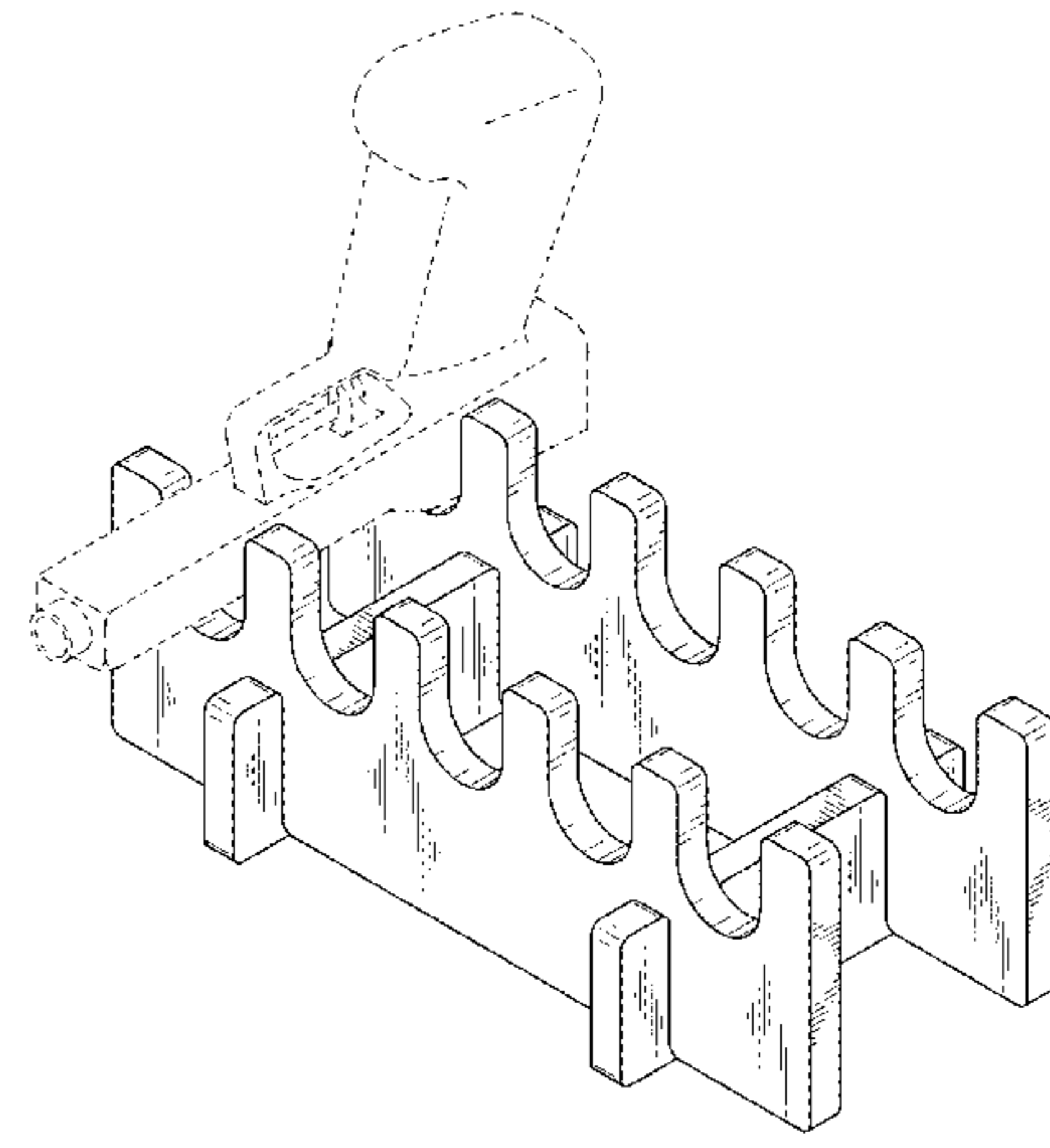
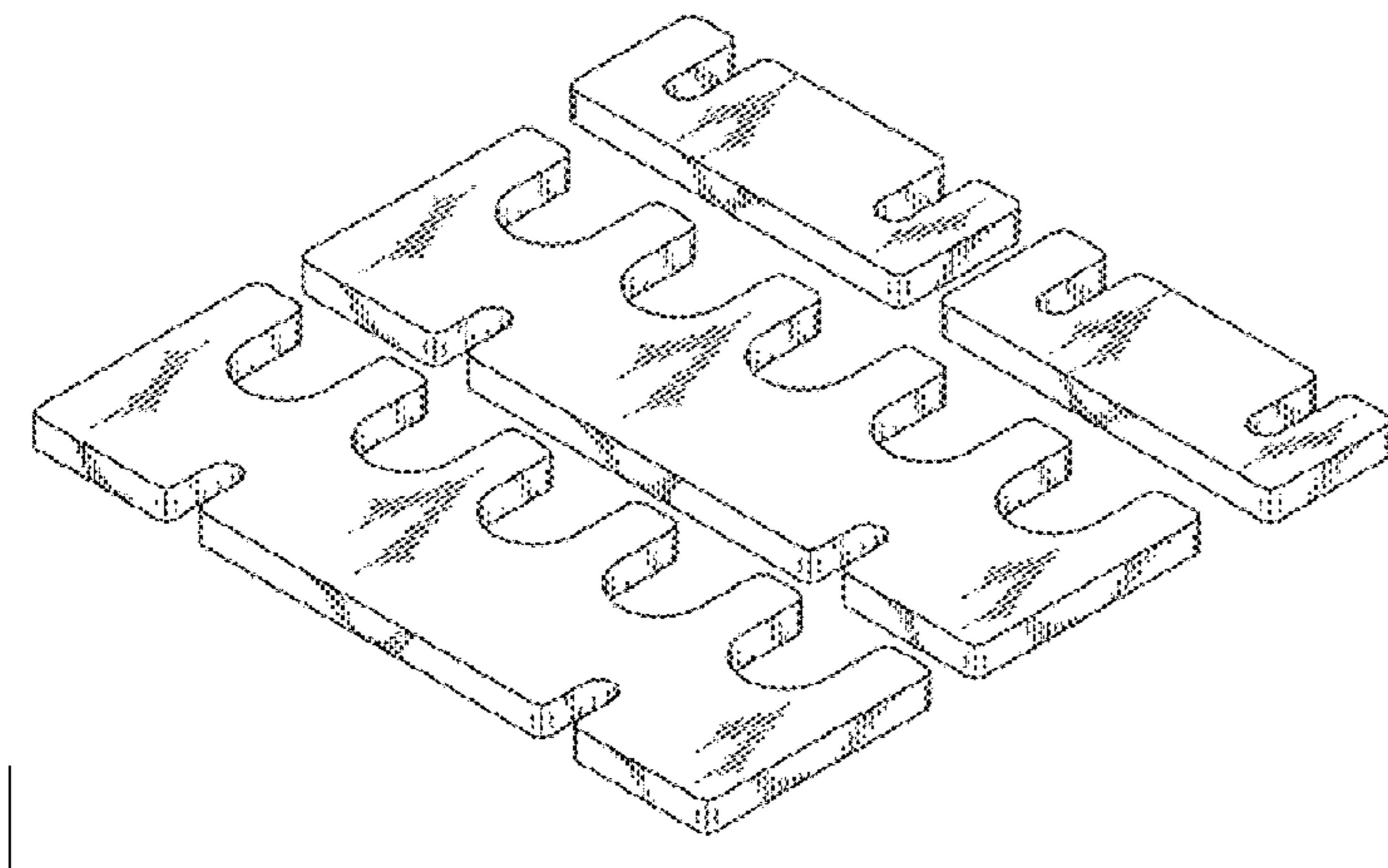
FIG. 13 is a front side view of the shelf corresponding to FIG. 12, wherein the back side view is a mirror image of the front side view;

FIG. 14 is a left side view of the shelf corresponding to FIG. 12, wherein the right side view is a mirror image of the left side view;

FIG. 15 is a top side view of the shelf corresponding to FIG. 12; and,

FIG. 16 is a bottom side view of the shelf corresponding to FIG. 12.

**1 Claim, 7 Drawing Sheets**



(56)

**References Cited**

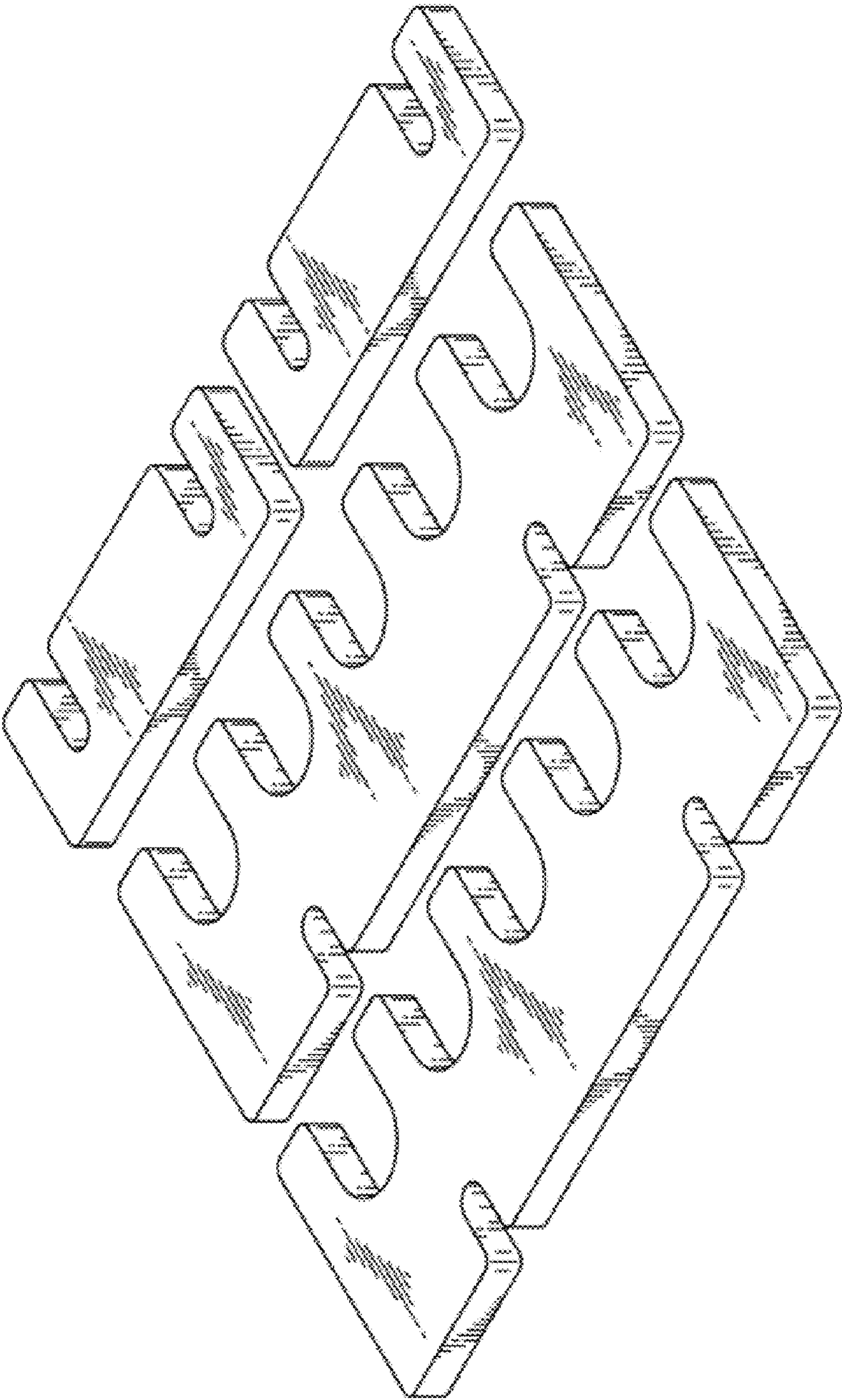
U.S. PATENT DOCUMENTS

4,873,777 A 10/1989 Southard  
D313,886 S 1/1991 Southard  
D324,951 S 3/1992 Narramore  
D406,629 S 3/1999 Banfill  
6,315,133 B1 \* 11/2001 Franke ..... A63B 55/10  
211/60.1

D472,090 S \* 3/2003 Wing ..... D6/552  
D557,541 S \* 12/2007 Corbell ..... D6/552  
D579,252 S \* 10/2008 Savoie ..... D6/552  
D609,516 S \* 2/2010 Vining ..... D6/552  
D643,658 S \* 8/2011 Vining ..... D6/552  
D719,375 S \* 12/2014 Cox ..... D6/552  
D748,205 S 1/2016 Selph

\* cited by examiner

FIG. 1



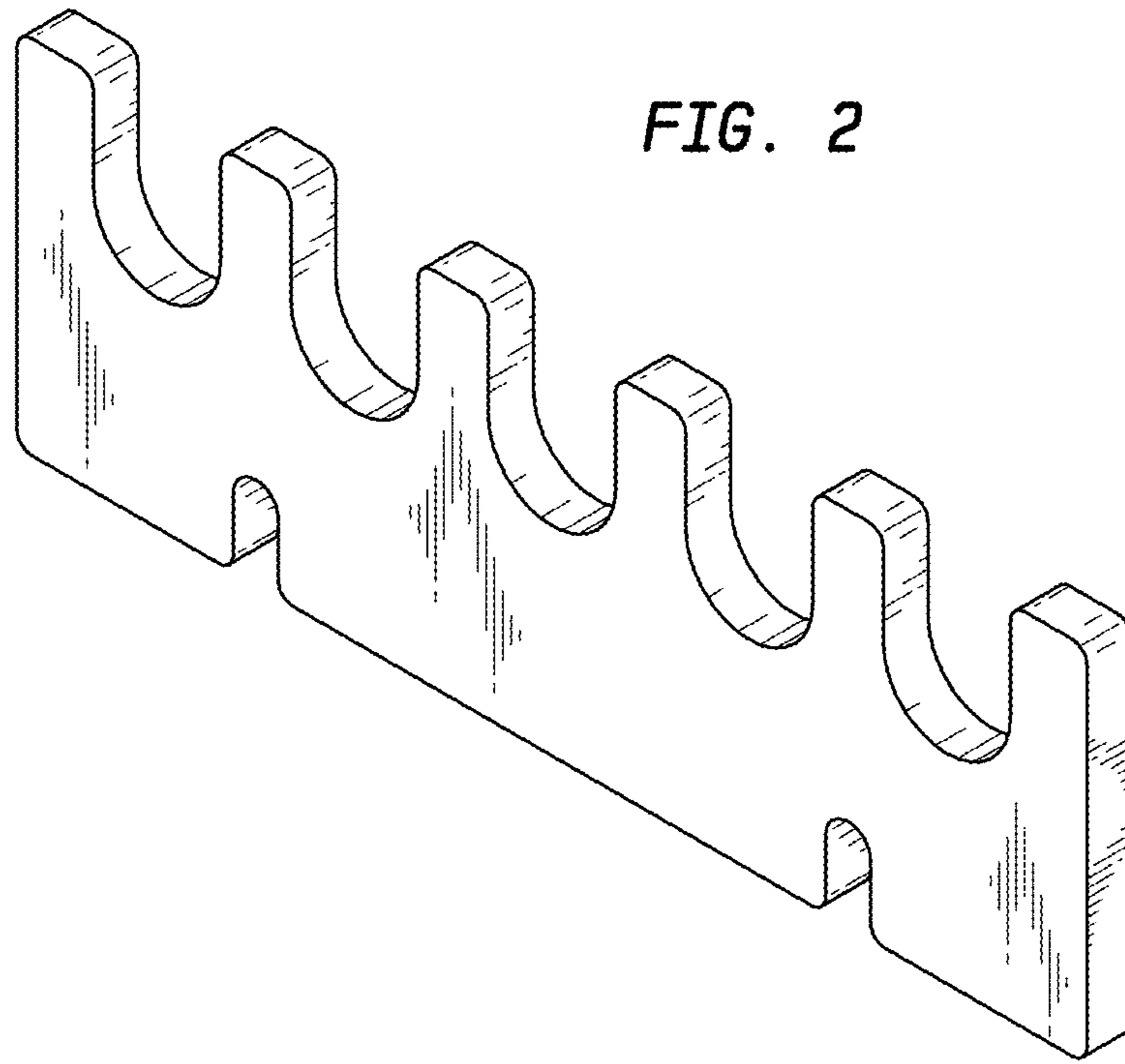
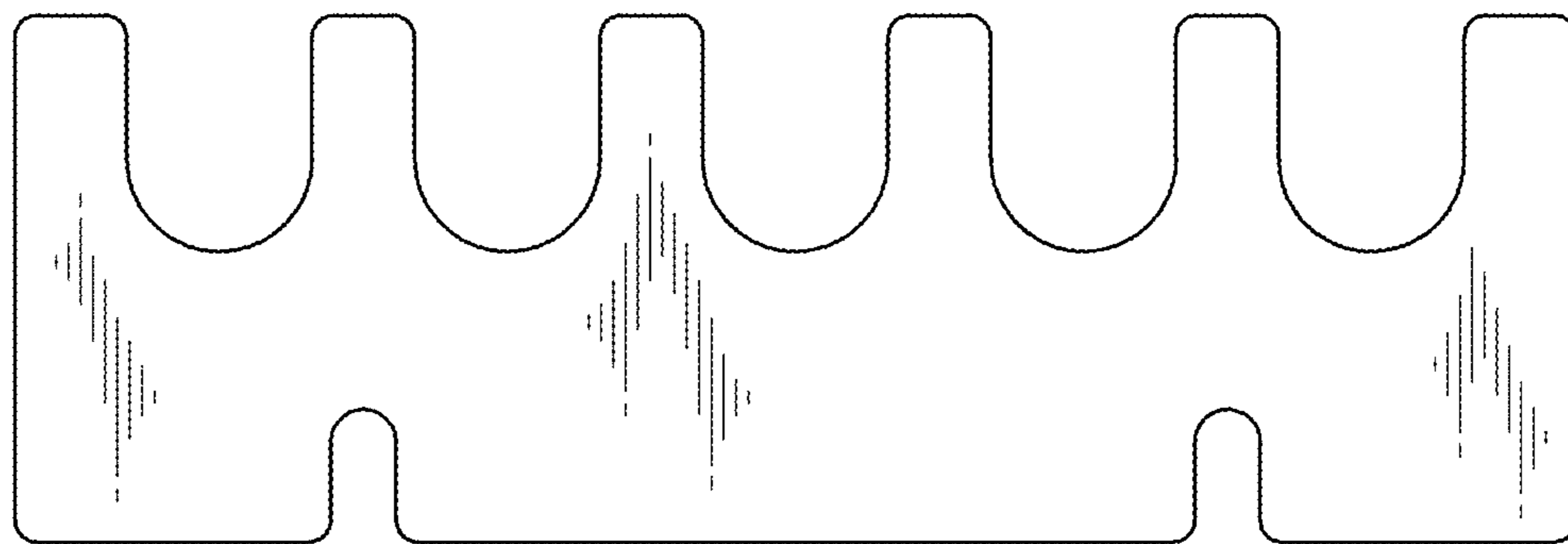
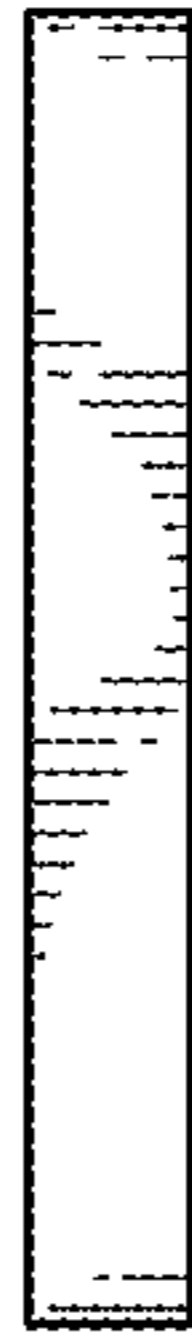


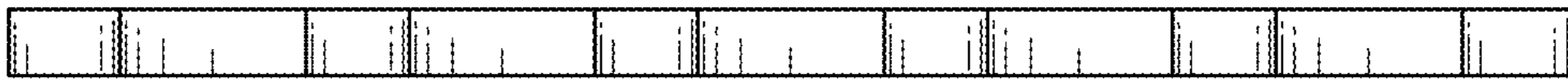
FIG. 3



*FIG. 4*



*FIG. 5*



*FIG. 6*

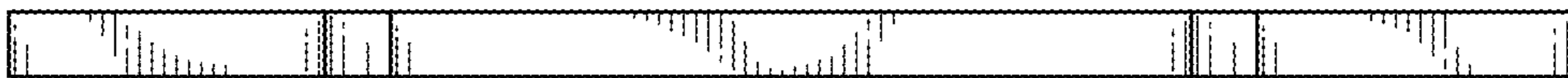


FIG. 7

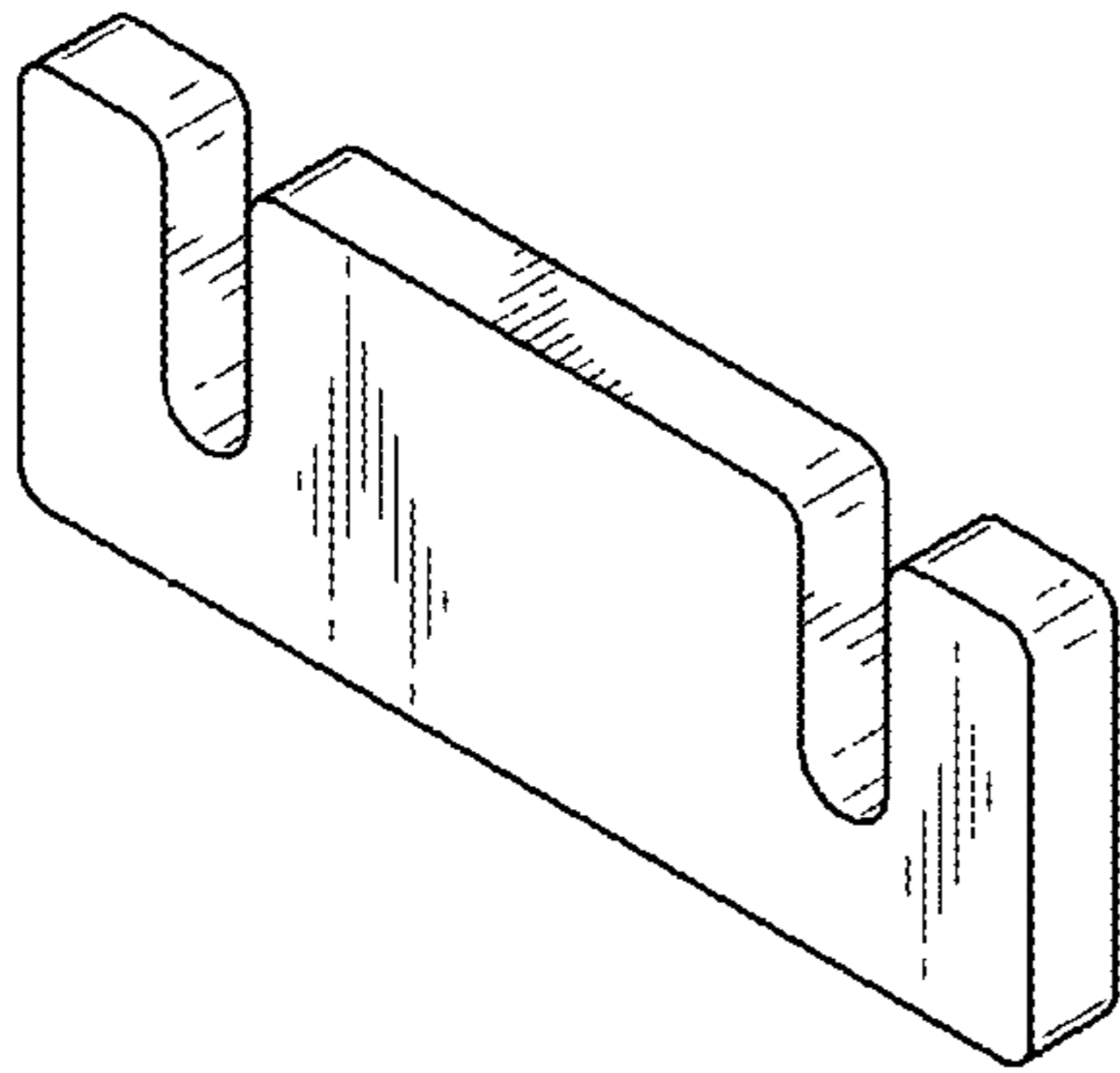


FIG. 8

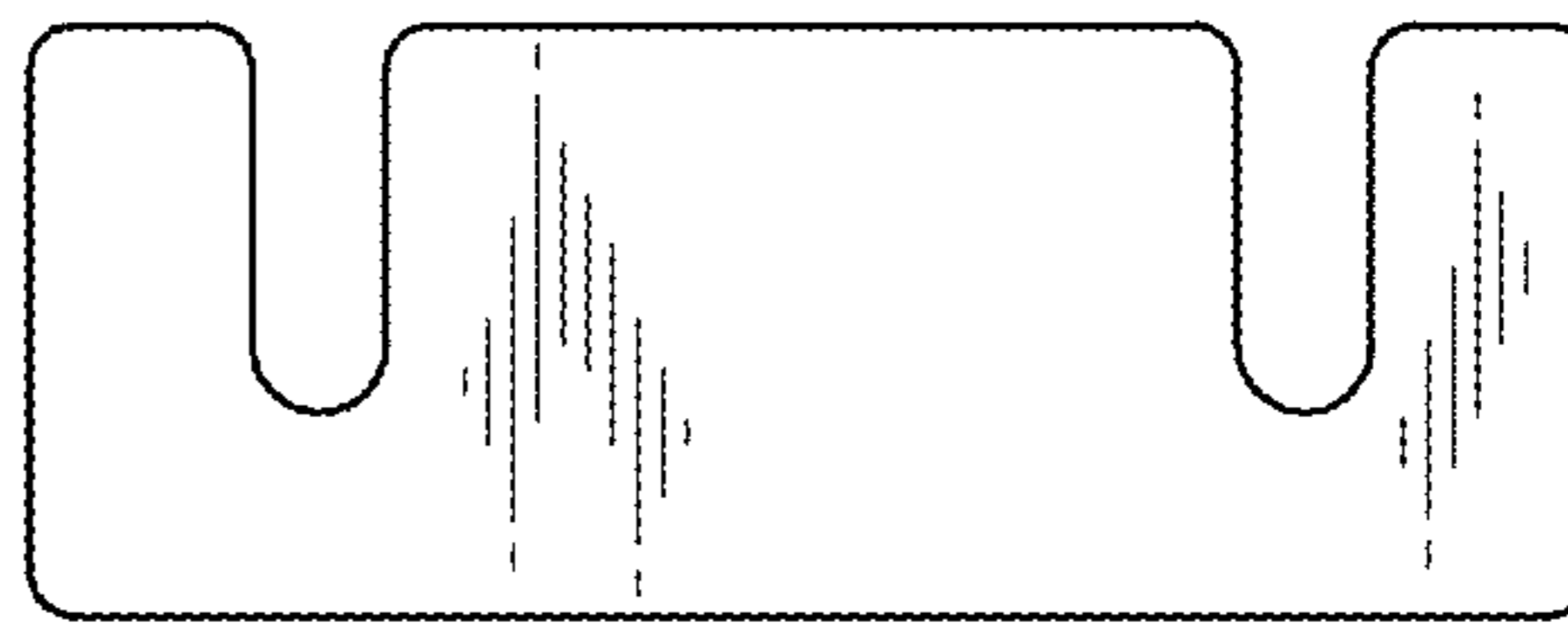


FIG. 9

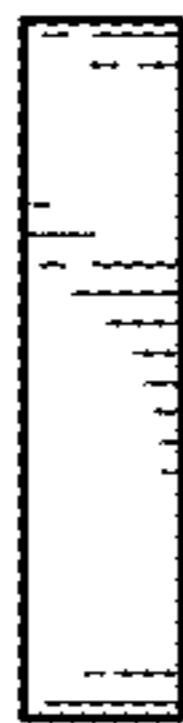


FIG. 10

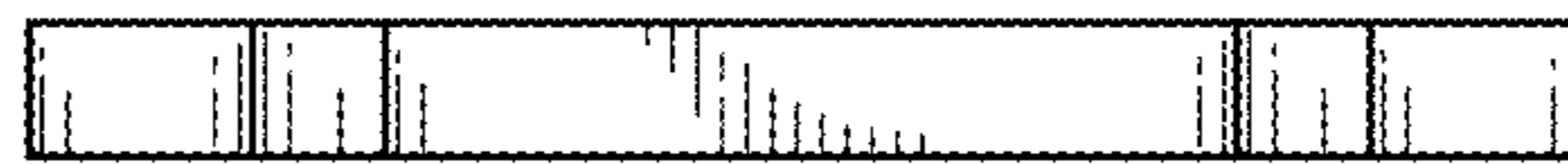
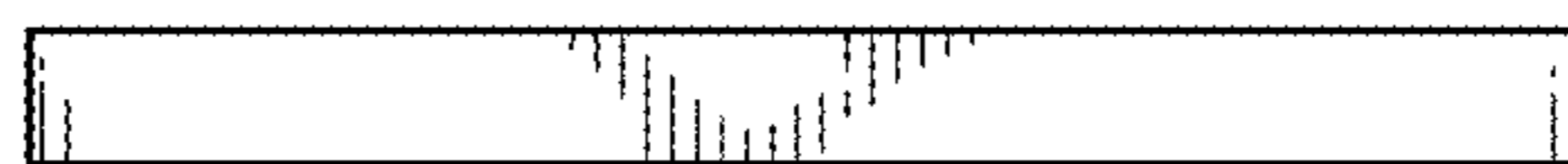


FIG. 11



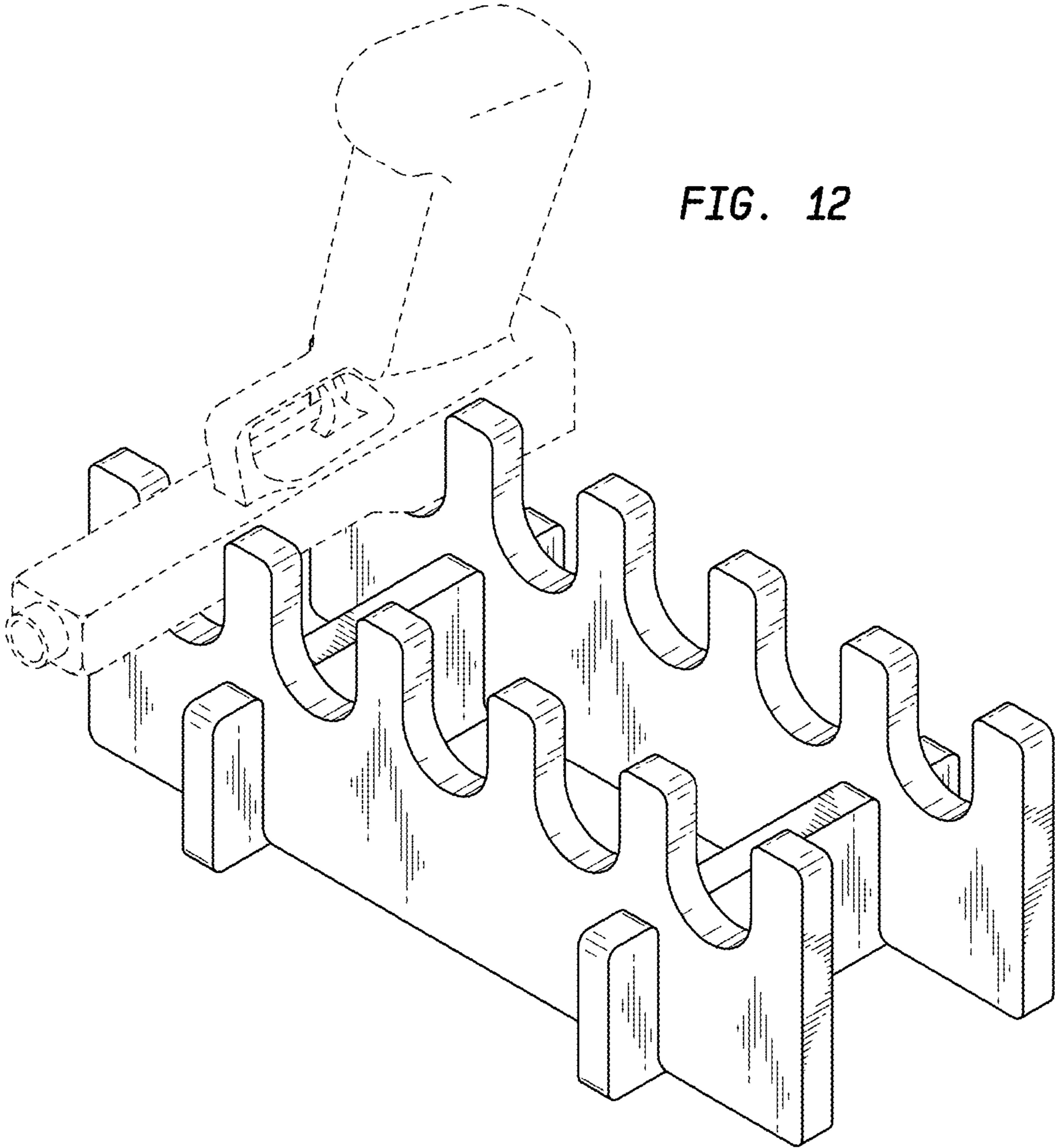


FIG. 12

FIG. 13

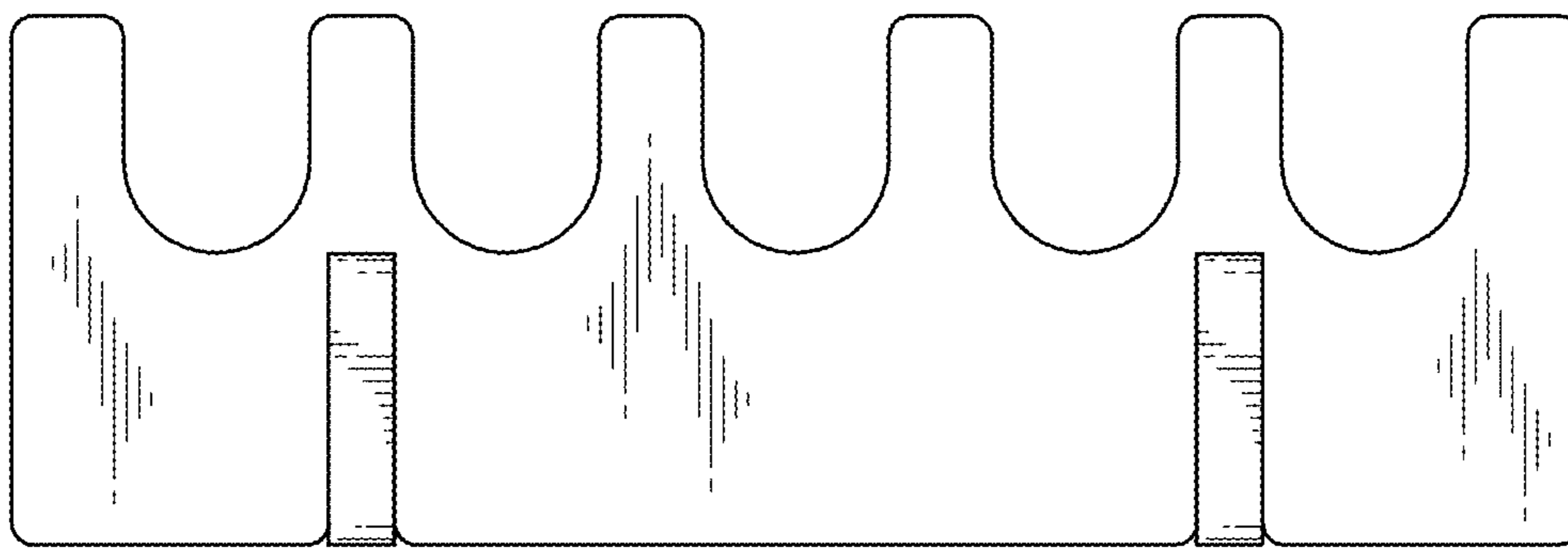


FIG. 14

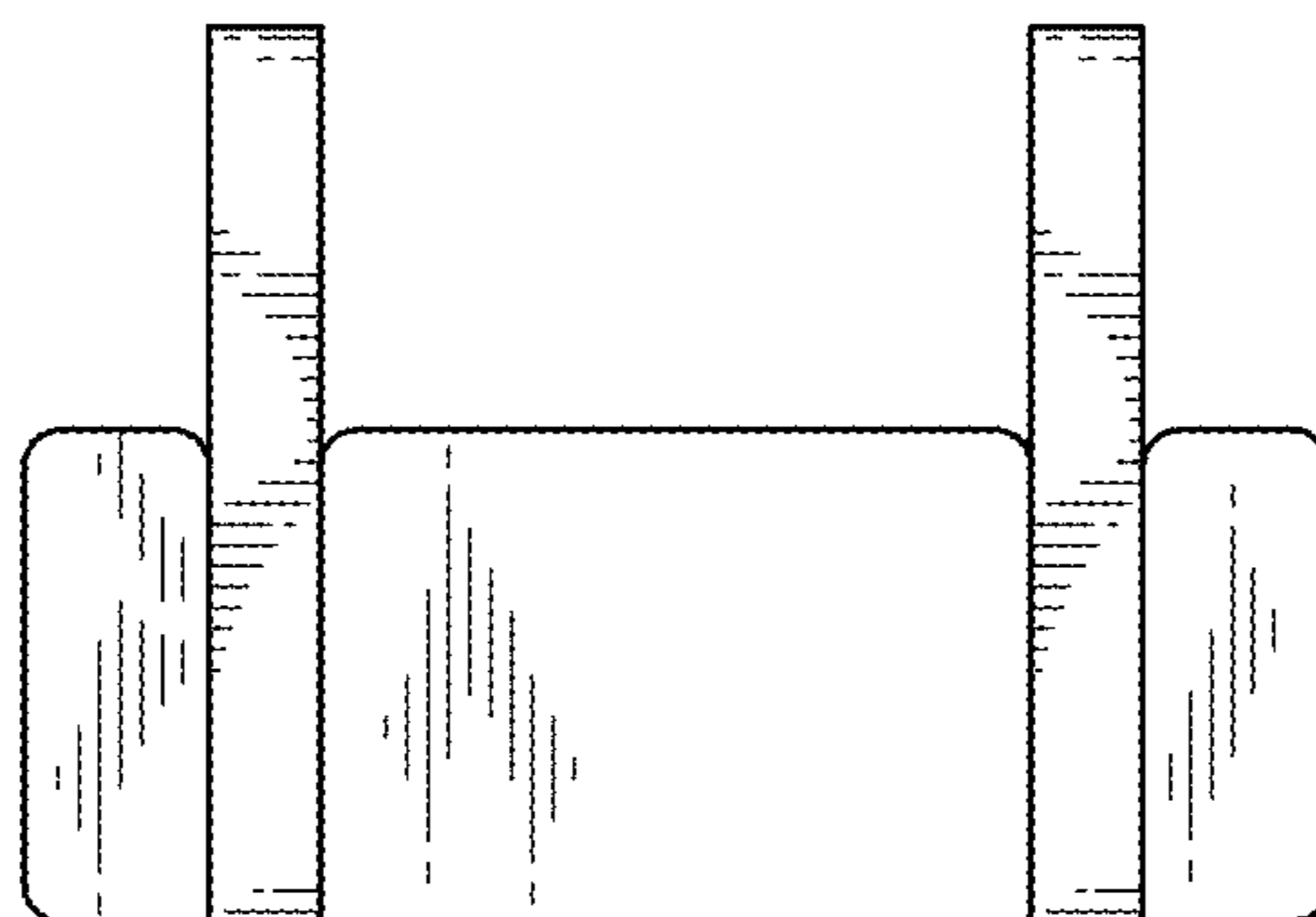




FIG. 15

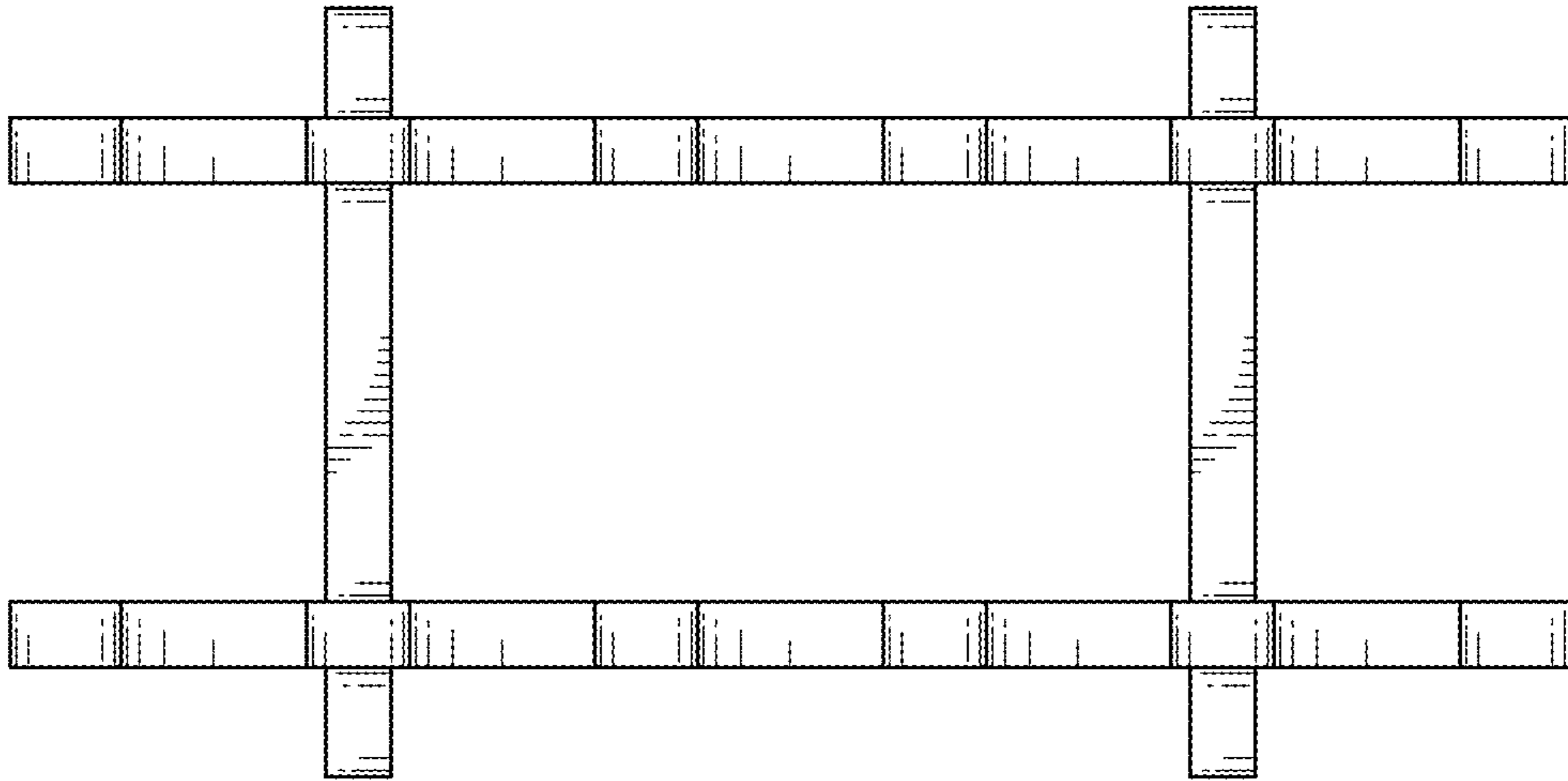


FIG. 16

