



US00D770800S

(12) **United States Design Patent** (10) **Patent No.:** **US D770,800 S**  
**Agarwal et al.** (45) **Date of Patent:** **\*\* Nov. 8, 2016**

(54) **DISPENSER**  
(71) Applicant: **THE CLOROX COMPANY**, Oakland, CA (US)  
(72) Inventors: **Arun Agarwal**, Pleasanton, CA (US);  
**John D. English**, Pleasanton, CA (US);  
**John Glauber**, Pleasanton, CA (US);  
**Matthias Palm**, Pleasanton, CA (US);  
**Janiece Hope**, Pleasanton, CA (US);  
**Elisa Calimano**, Pleasanton, CA (US)  
(73) Assignee: **The Clorox Company**, Oakland, CA (US)

5,862,960 A \* 1/1999 Miller ..... B65D 83/384  
222/325  
5,915,869 A 6/1999 Agosto et al.  
5,938,076 A \* 8/1999 Ganzeboom ..... B65D 83/262  
222/23  
6,224,283 B1 5/2001 Hay  
6,240,590 B1 6/2001 Nesbit  
6,244,852 B1 6/2001 Kneer  
6,276,558 B1 8/2001 Kneer  
D468,627 S \* 1/2003 Dampney ..... D23/369  
D475,876 S \* 6/2003 Chen ..... D6/545  
6,670,007 B1 12/2003 Safian et al.  
D491,798 S \* 6/2004 Buthier ..... D23/366  
D496,202 S \* 9/2004 Hansen ..... D6/545  
6,983,866 B2 1/2006 Smart et al.  
6,998,373 B1 2/2006 Faines, Jr.

(Continued)

(\*\*) Term: **15 Years**

**FOREIGN PATENT DOCUMENTS**

(21) Appl. No.: **29/531,554**  
(22) Filed: **Jun. 26, 2015**  
(51) **LOC (10) Cl.** ..... **23-02**  
(52) **U.S. Cl.**  
USPC ..... **D6/545**  
(58) **Field of Classification Search**  
USPC ..... D6/512, 524, 542, 543, 544, 545;  
D9/448, 686; D23/336  
CPC ..... A47F 1/085; A47G 19/24; A47G 21/12;  
B65D 83/267; B65D 23/003; B65D 83/262;  
B65D 83/384; B67D 3/0029; A47K 5/1217;  
A47K 5/02  
See application file for complete search history.

AU 2005200094 1/2005  
DE 3513730 A1 10/1986

(Continued)

*Primary Examiner* — John Windmuller  
*Assistant Examiner* — Steven Czyz  
(74) *Attorney, Agent, or Firm* — Erin Collins; Stacy H. Combs

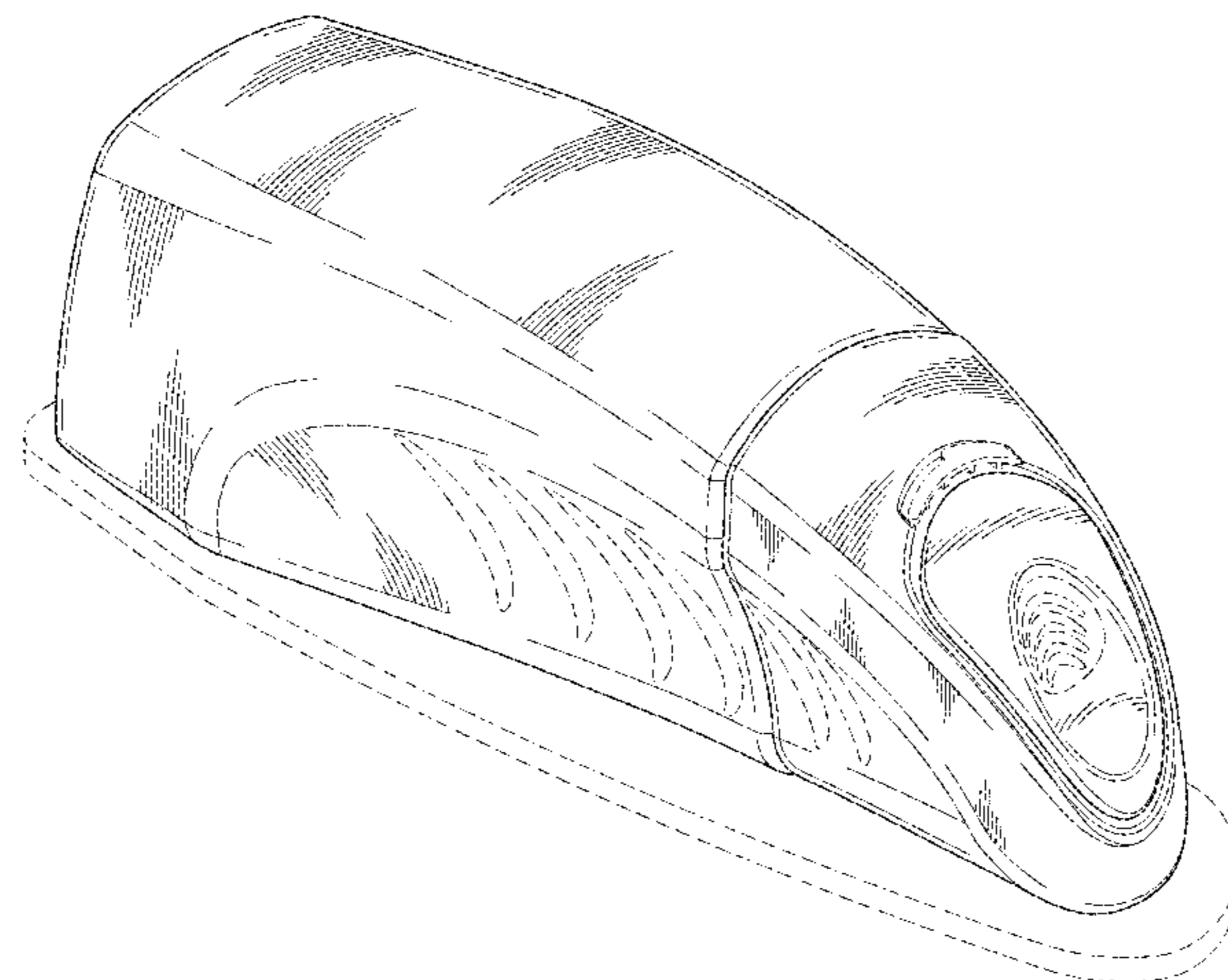
(57) **CLAIM**  
The ornamental design for a dispenser, as shown and described.

**DESCRIPTION**

FIG. 1 is a perspective view of a dispenser showing our new design;  
FIG. 2 is a top plan view thereof;  
FIG. 3 is a bottom plan view thereof;  
FIG. 4 is a left side view thereof;  
FIG. 5 a right side view thereof;  
FIG. 6 is a front end view thereof; and,  
FIG. 7 is a rear end view thereof.  
The broken lines depict portions of the article that form no part of the claimed design.

(56) **References Cited**  
**U.S. PATENT DOCUMENTS**  
3,948,225 A 4/1976 Lester  
D284,506 S \* 7/1986 Gutknecht ..... D23/368  
4,967,935 A \* 11/1990 Celest ..... A47K 5/1217  
222/181.2  
5,407,629 A 4/1995 Schmidt et al.  
5,447,678 A 9/1995 Kneer et al.  
D363,981 S \* 11/1995 Muderlak ..... D23/366  
5,567,377 A 10/1996 Nishigami et al.  
D395,598 S \* 6/1998 Van Lit ..... D9/686

**1 Claim, 4 Drawing Sheets**



(56)

References Cited

U.S. PATENT DOCUMENTS

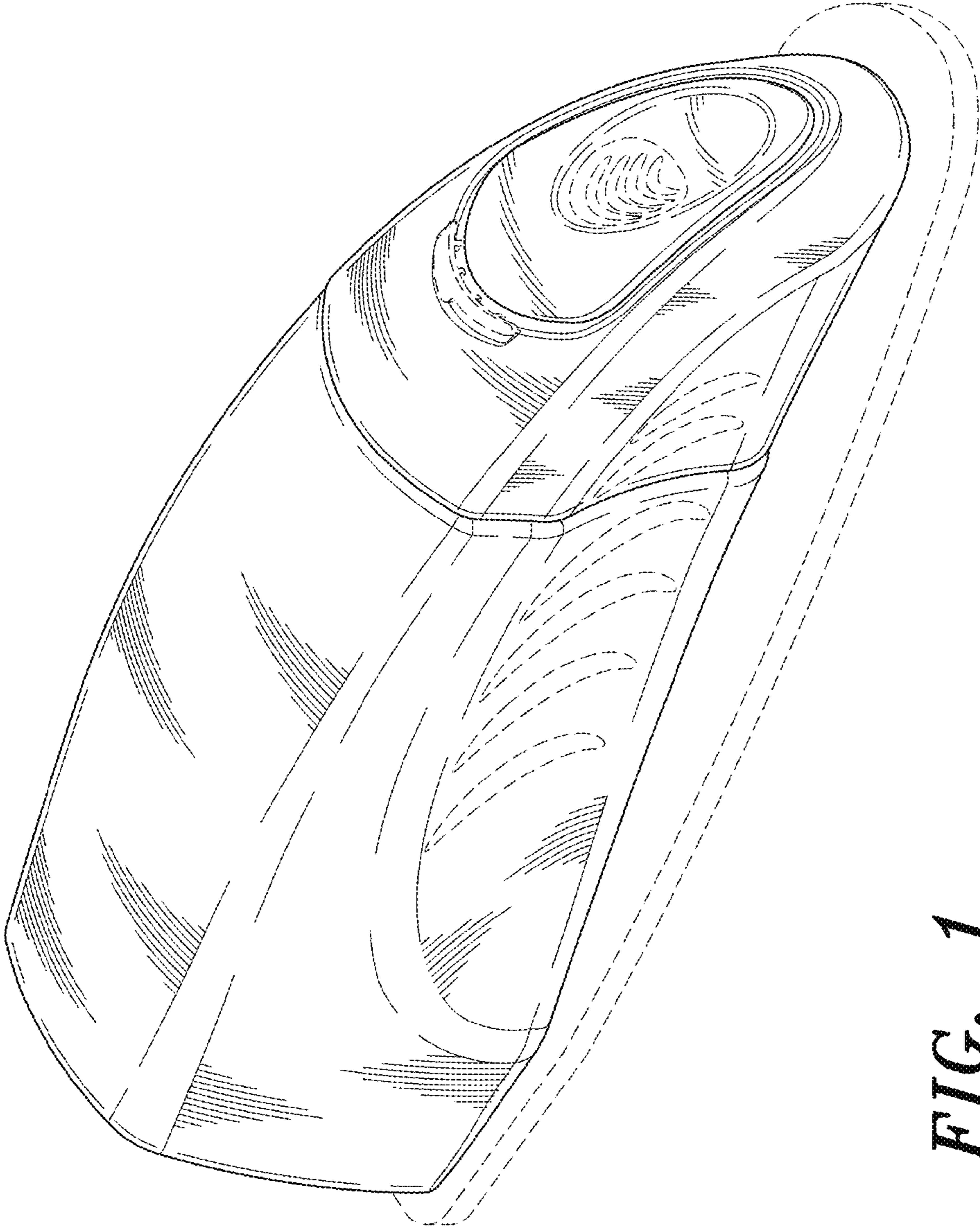
7,055,707 B2 6/2006 Yoneyama et al.  
 D547,987 S \* 8/2007 Yang ..... D6/524  
 D578,720 S 10/2008 Norcorn et al.  
 D583,156 S 12/2008 Constantine  
 7,482,047 B1 1/2009 Tremley et al.  
 7,837,403 B2 11/2010 Willinger et al.  
 7,837,927 B2 11/2010 Morel et al.  
 D640,362 S \* 6/2011 Boshuizen ..... D23/366  
 D651,835 S \* 1/2012 Berti ..... D6/524  
 D675,852 S \* 2/2013 Bunoz ..... D6/545  
 8,627,986 B2 1/2014 Bradbury et al.  
 8,684,619 B2 4/2014 Uchiyama et al.  
 8,820,578 B2 9/2014 Kneer et al.  
 D750,210 S \* 2/2016 Sayers ..... D23/366  
 2004/0117935 A1 6/2004 Cavalheiro  
 2005/0124519 A1 6/2005 Sherry et al.  
 2005/0171215 A1 8/2005 Zhu et al.  
 2006/0137123 A1 6/2006 Sampalo  
 2008/0098546 A1 5/2008 Warmka et al.  
 2008/0267689 A1 10/2008 Soller et al.  
 2009/0038092 A1 2/2009 Kennedy et al.

2012/0301208 A1 11/2012 Hughes et al.  
 2012/0301210 A1 11/2012 Sturgls et al.  
 2013/0047358 A1 2/2013 Shafer et al.  
 2014/0209631 A1\* 7/2014 Lin ..... A47K 5/1217  
 222/52  
 2015/0367366 A1\* 12/2015 Edwards ..... A23G 1/50  
 239/302

FOREIGN PATENT DOCUMENTS

EP 16767499 A1 5/2006  
 IN 1259DEL2002 11/2007  
 JP 2006198273 A 8/2006  
 WO 200162122 A2 8/2001  
 WO 200187499 A1 11/2001  
 WO 2004020151 A1 3/2004  
 WO 2005068095 A1 7/2005  
 WO 2006029060 A2 3/2006  
 WO 2006066058 A2 6/2006  
 WO 2007044275 A1 4/2007  
 WO 2007106301 A1 9/2007  
 WO 2010032105 A1 3/2010  
 WO 2014145881 A1 9/2014

\* cited by examiner



**FIG. 1**

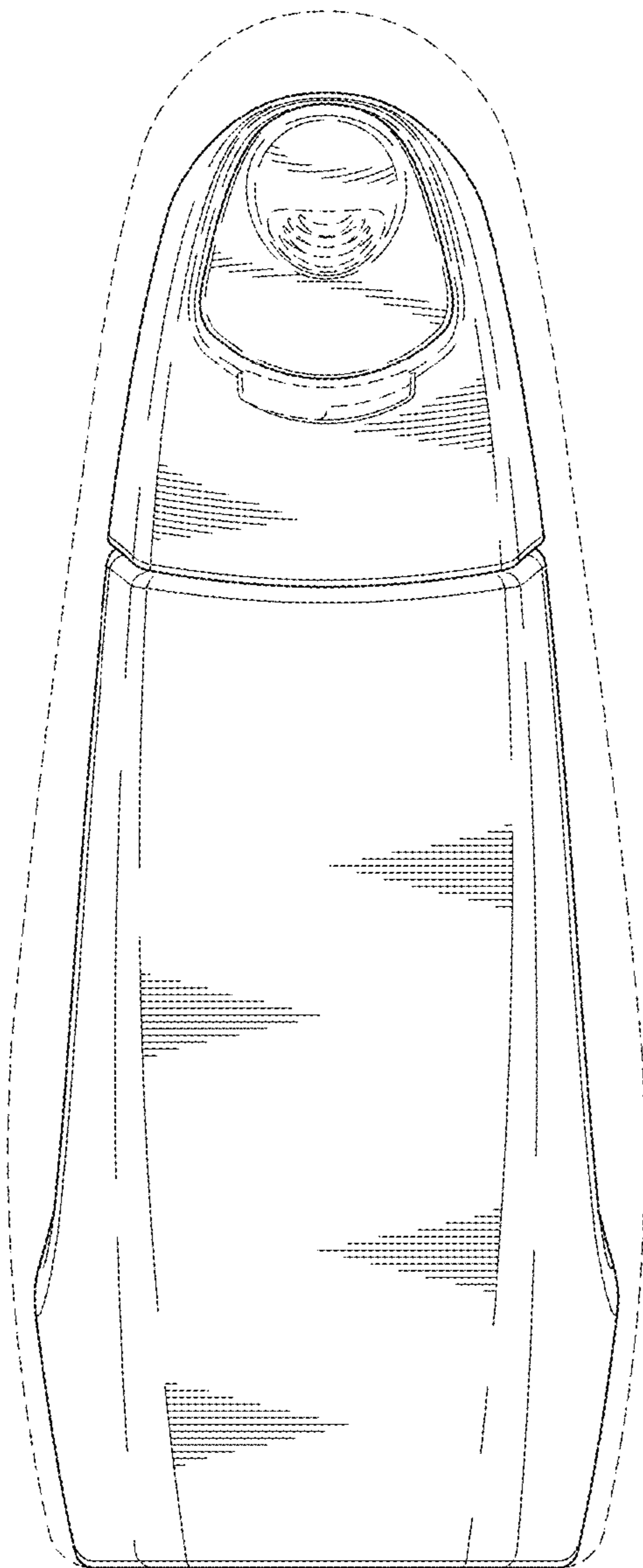


FIG. 2

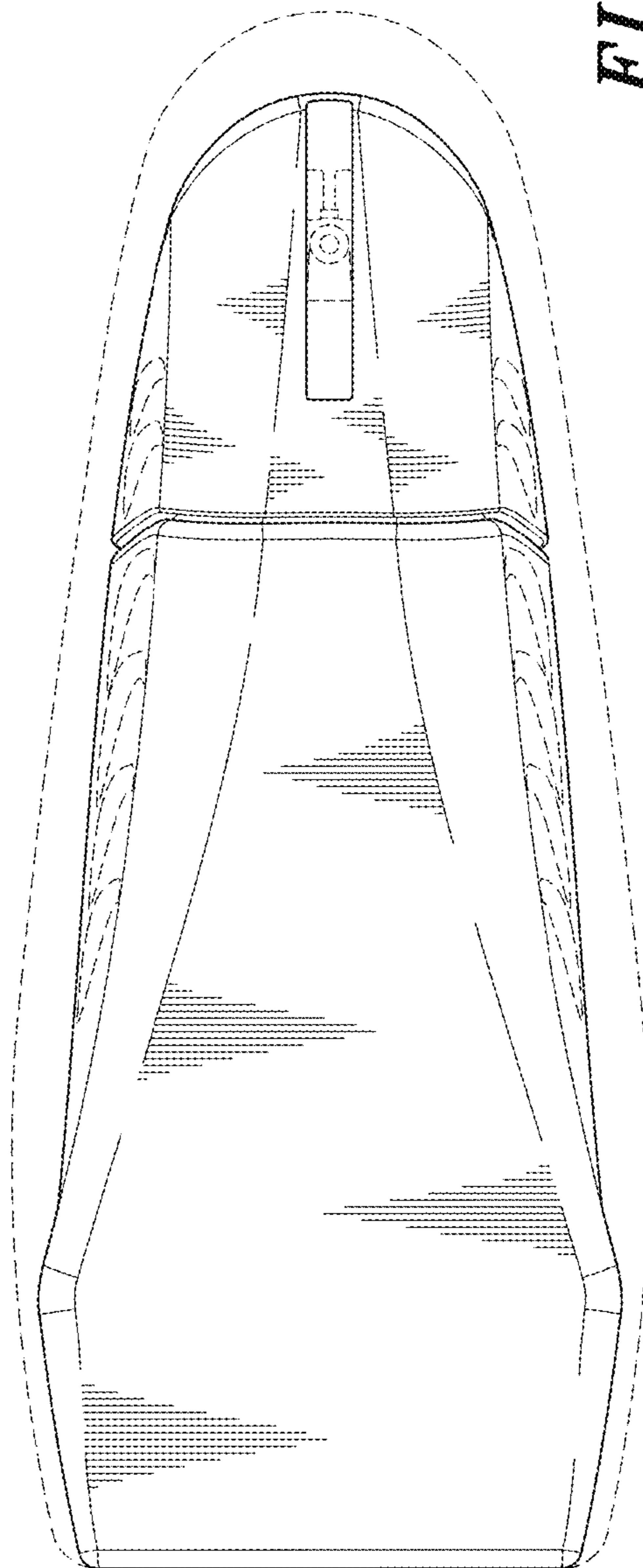


FIG. 3

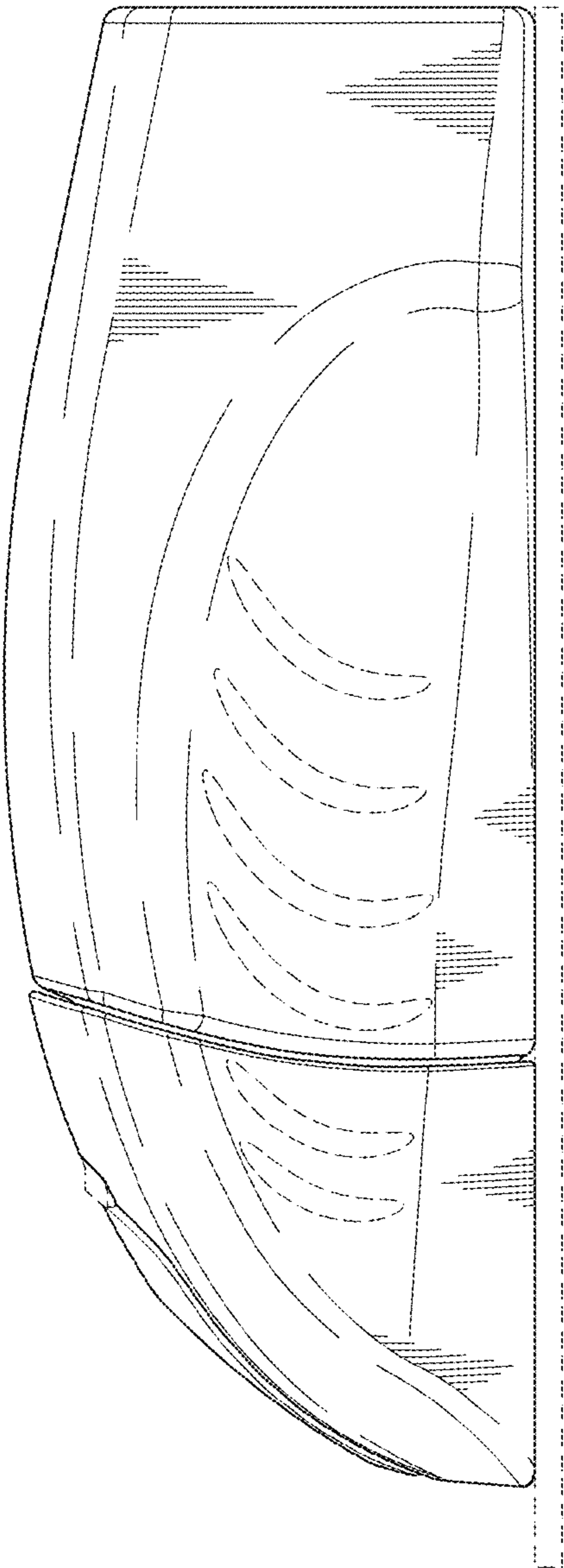


FIG. 4

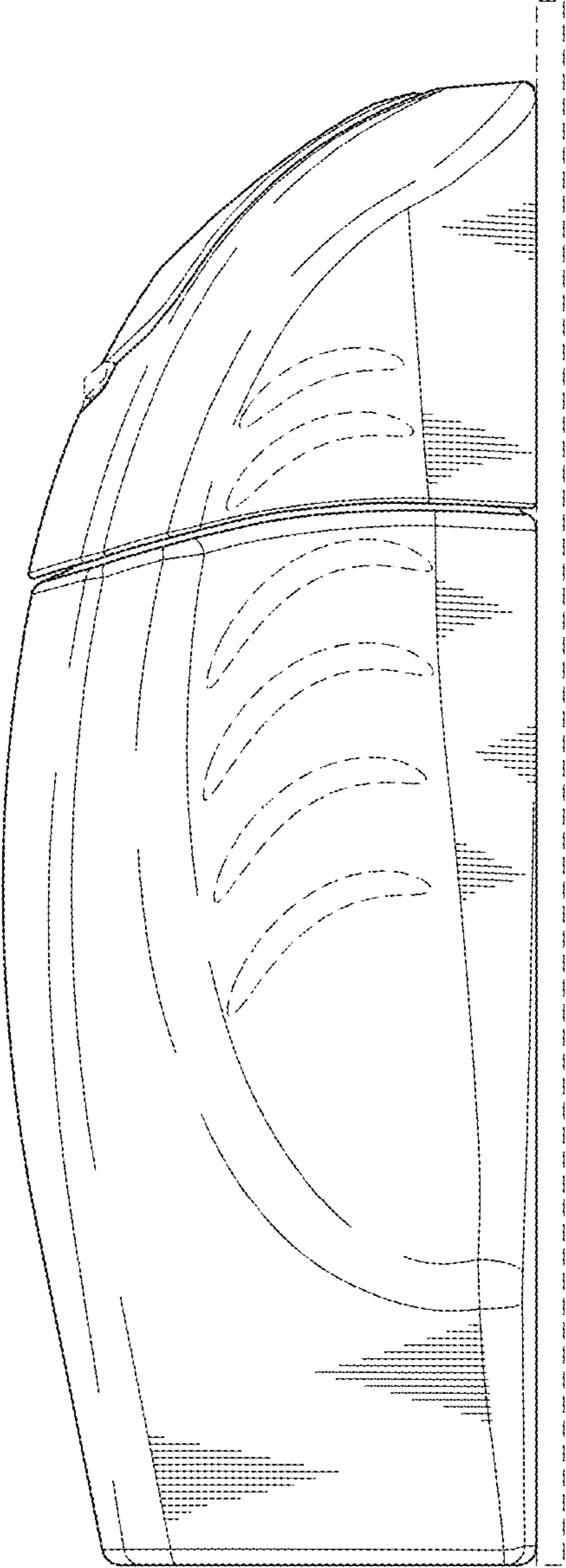
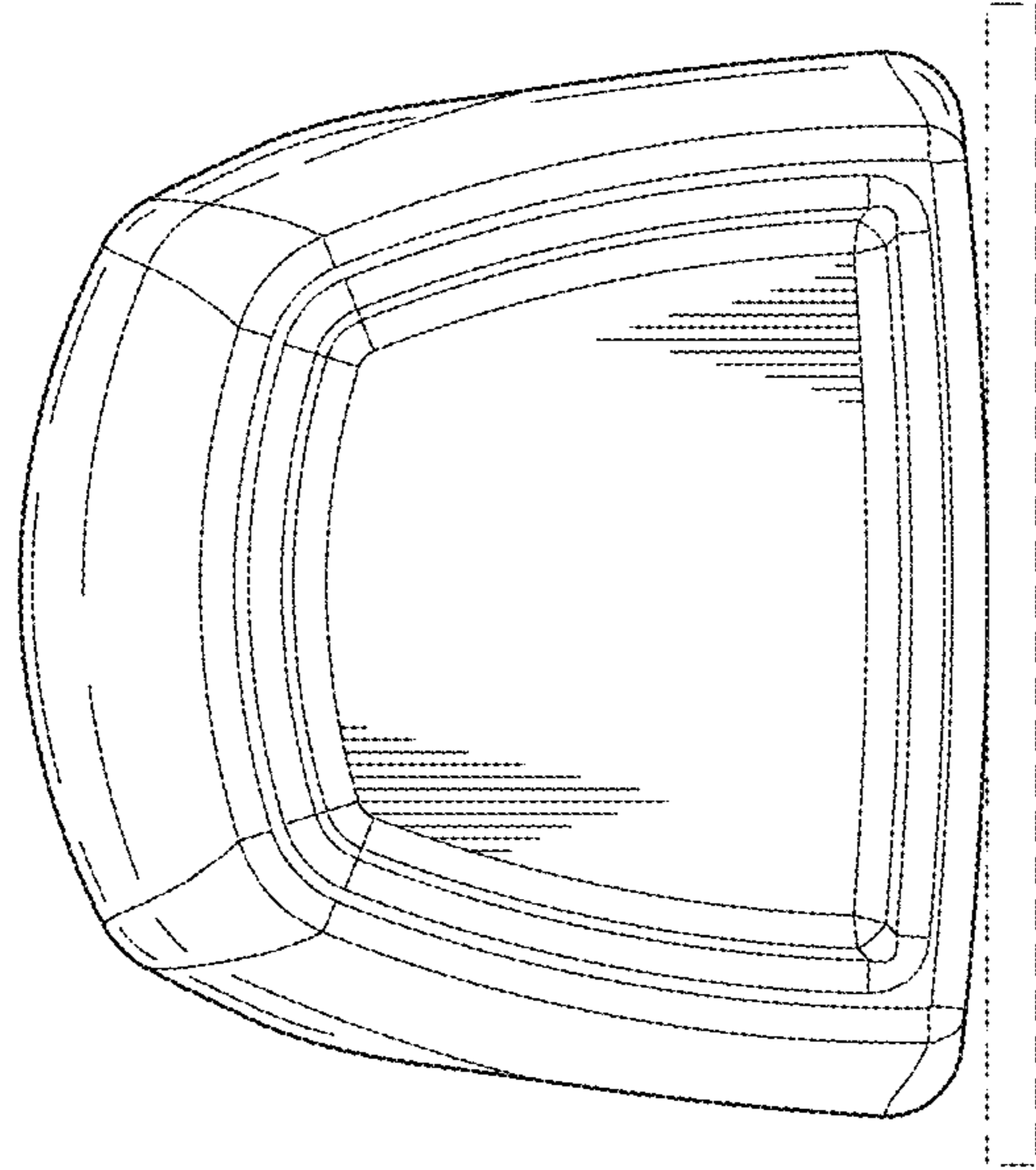
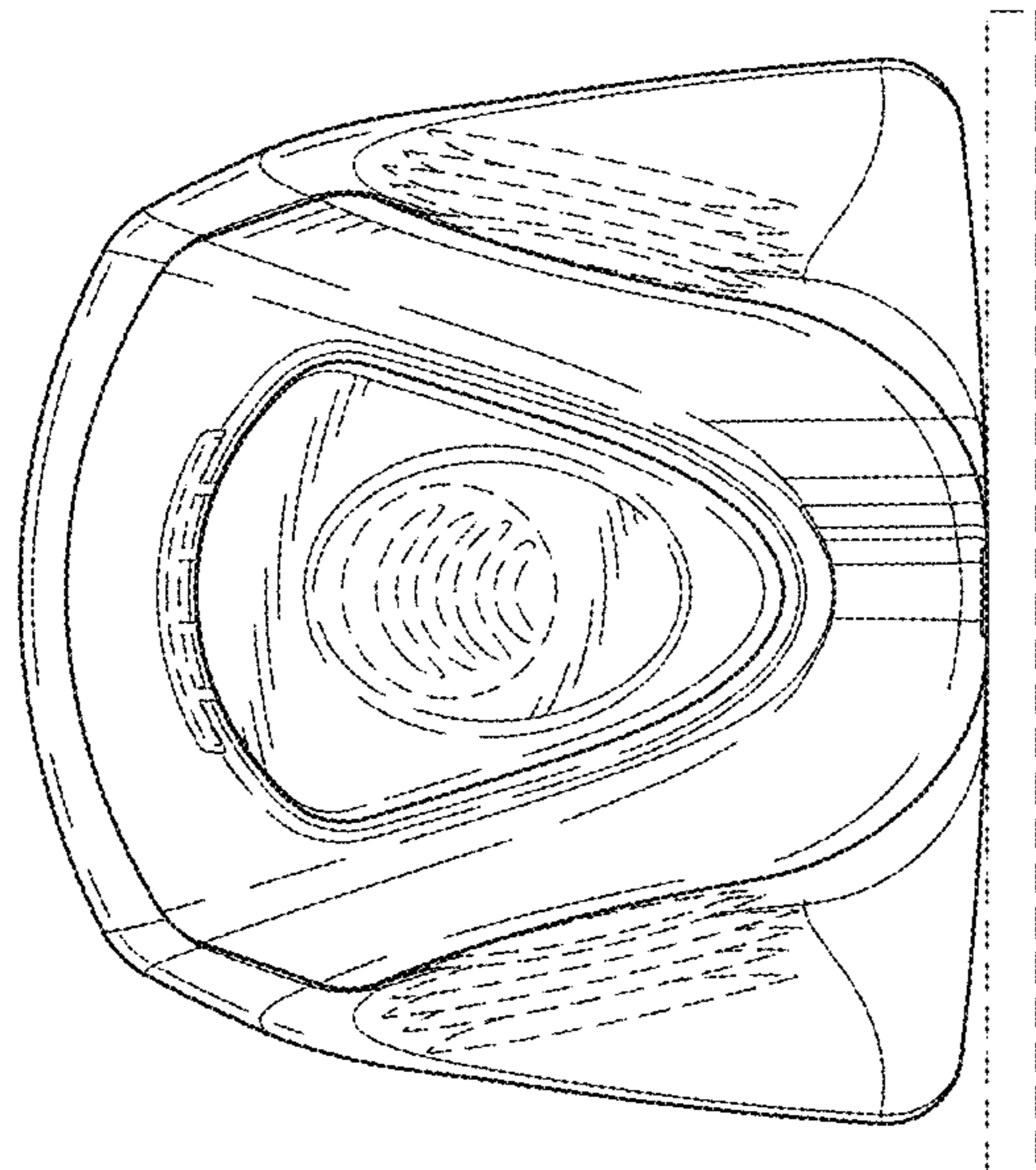


FIG. 5



*FIG. 7*



*FIG. 6*