



US00D770798S

(12) **United States Design Patent** (10) **Patent No.:** **US D770,798 S**
Yang et al. (45) **Date of Patent:** **** Nov. 8, 2016**

(54) **SOAP PUMP**
(71) Applicant: **simplehuman, LLC**, Torrance, CA (US)
(72) Inventors: **Frank Yang**, Rancho Palos Verdes, CA (US); **Kenneth Yen**, Redondo Beach, CA (US); **Myk Lum**, Irvine, CA (US); **Adam Wade**, Rancho Santa Margarita, CA (US)

4,056,050 A 11/1977 Brown
4,113,147 A 9/1978 Frazier et al.
4,217,993 A 8/1980 Jess et al.
4,498,843 A 2/1985 Schneider et al.
4,524,805 A 6/1985 Hoffman
4,693,854 A 9/1987 Yau
4,722,372 A 2/1988 Hoffman et al.
4,915,347 A 4/1990 Iqbal et al.

(Continued)

FOREIGN PATENT DOCUMENTS

(73) Assignee: **simplehuman, LLC**, Torrance, CA (US)

AU 364945 10/2015
CA 141847 4/2012

(Continued)

(**) Term: **14 Years**

OTHER PUBLICATIONS

(21) Appl. No.: **29/518,584**

U.S. Appl. No. 29/552,697, filed Jan. 25, 2016, Yang et al.

(22) Filed: **Feb. 25, 2015**

(Continued)

(51) **LOC (10) Cl.** **23-02**

(52) **U.S. Cl.**
USPC **D6/542**

(58) **Field of Classification Search**
USPC D6/512, 524, 542, 543, 544, 545;
D9/682, 688, 448

CPC A47G 19/24; A47G 21/12; B65D 83/267;
B65D 23/003; B67D 3/0029; A47F 1/085;
A47K 5/02; A47K 5/1202

See application file for complete search history.

Primary Examiner — Karen Kearney

Assistant Examiner — Steven Czyz

(74) *Attorney, Agent, or Firm* — Knobbe, Martens, Olson & Bear, LLP

(57) **CLAIM**

The ornamental design for a soap pump, as shown and described.

DESCRIPTION

(56) **References Cited**

U.S. PATENT DOCUMENTS

2,017,867 A 10/1935 Nantz
2,106,043 A 1/1938 Urquhart et al.
2,651,545 A 9/1953 Shotton
2,697,446 A 12/1954 Harrington
2,772,817 A 12/1956 Jauch
3,023,922 A 3/1962 Arrington et al.
3,149,754 A 9/1964 Kogan et al.
3,220,954 A 11/1965 Malbe
3,631,736 A 1/1972 Saari
3,701,482 A 10/1972 Sachnik
4,046,289 A 9/1977 Teranishi

FIG. 1 is a top, front, right-side perspective view of a soap pump embodying our design;

FIG. 2 is a front elevation view thereof;

FIG. 3 is a rear elevation view thereof;

FIG. 4 is a left-side elevation view thereof;

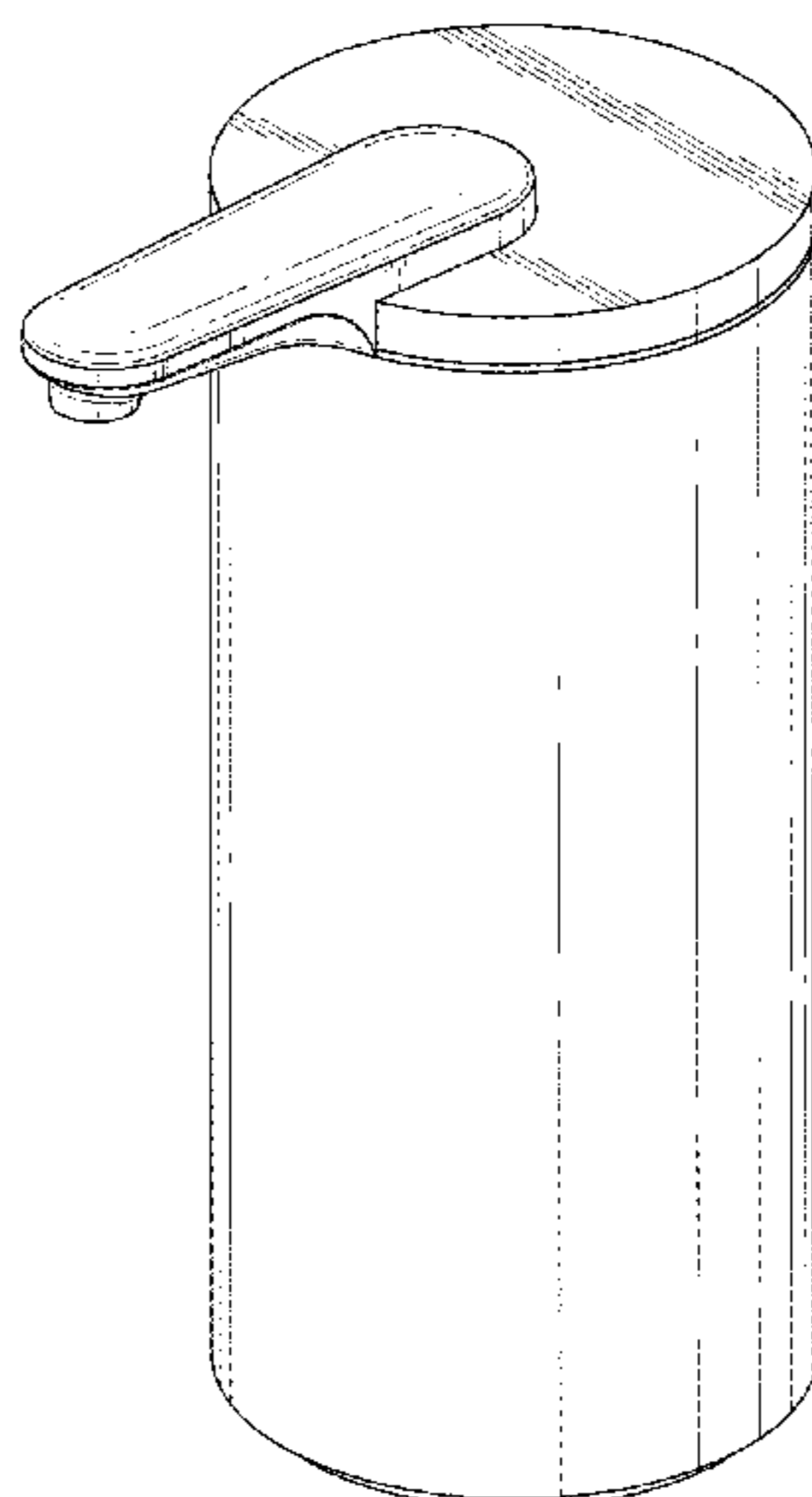
FIG. 5 is a right-side elevation view thereof;

FIG. 6 is a top plan view thereof; and,

FIG. 7 is a bottom plan view thereof.

The broken lines depict portions of the article that form no part of the claimed design.

1 Claim, 7 Drawing Sheets



(56)

References Cited

U.S. PATENT DOCUMENTS

4,921,131 A 5/1990 Binderbauer et al.
 4,938,384 A 7/1990 Pilolla
 4,967,935 A 11/1990 Celest
 5,028,328 A 7/1991 Long
 5,082,150 A 1/1992 Steiner et al.
 5,169,040 A 12/1992 Wiley
 5,186,360 A 2/1993 Mease et al.
 5,199,118 A 4/1993 Cole et al.
 5,271,528 A 12/1993 Chien
 5,305,916 A 4/1994 Suzuki et al.
 5,449,280 A 9/1995 Maki et al.
 5,466,131 A 11/1995 Altham et al.
 5,472,719 A 12/1995 Favre
 5,477,984 A 12/1995 Sayama et al.
 5,632,414 A 5/1997 Merriweather, Jr.
 5,771,925 A 6/1998 Lewandowski
 5,823,390 A 10/1998 Muderlak et al.
 5,829,636 A 11/1998 Vuong et al.
 5,836,482 A 11/1998 Ophardt et al.
 5,960,991 A 10/1999 Ophardt
 D416,154 S 11/1999 Diehl
 5,988,451 A 11/1999 Hanna
 6,021,705 A 2/2000 Dijis
 6,021,960 A 2/2000 Kehat
 6,036,056 A 3/2000 Lee et al.
 D426,093 S 6/2000 Cayouette
 D426,413 S 6/2000 Kreitemier et al.
 6,126,290 A 10/2000 Veigel
 D433,944 S 11/2000 Bernard
 D438,041 S 2/2001 Huang
 6,209,752 B1 4/2001 Mitchell et al.
 RE37,173 E 5/2001 Jefferson, Jr. et al.
 6,269,735 B1 8/2001 Rolfes
 6,279,460 B1 8/2001 Pope
 6,279,777 B1 8/2001 Goodin et al.
 6,311,868 B1 11/2001 Krietemeier et al.
 6,325,604 B1 12/2001 Du
 6,375,038 B1 4/2002 Daansen et al.
 6,390,329 B1 5/2002 Maddox
 6,443,328 B1 9/2002 Fehl et al.
 6,444,956 B1 9/2002 Witcher et al.
 6,557,584 B1 5/2003 Lucas et al.
 6,594,105 B1 7/2003 Brittner
 D477,956 S 8/2003 Grisdale et al.
 6,619,938 B2 9/2003 Woodruff
 D483,974 S 12/2003 Reed
 D486,335 S * 2/2004 Sonneman D6/542
 6,698,616 B2 3/2004 Hidle et al.
 6,722,265 B2 4/2004 Priley
 D490,262 S 5/2004 Graves et al.
 6,748,850 B1 6/2004 Kraan
 6,777,007 B2 8/2004 Cai
 6,805,042 B2 10/2004 Mordini et al.
 6,824,369 B2 11/2004 Raymond
 D499,295 S 12/2004 Grisdale et al.
 6,832,542 B2 12/2004 Hu et al.
 6,892,899 B2 5/2005 Minard et al.
 6,929,150 B2 8/2005 Muderlak et al.
 7,008,073 B2 3/2006 Stuhlmacher
 D530,954 S 10/2006 Snell
 D531,440 S * 11/2006 Lo D6/542
 D531,845 S * 11/2006 Christianson D6/542
 D534,753 S 1/2007 Christianson
 7,178,746 B2 2/2007 Gross
 D554,412 S 11/2007 Yang et al.
 7,296,765 B2 11/2007 Rodrian
 D564,273 S * 3/2008 Yang D6/542
 7,337,635 B2 3/2008 Cerruti et al.
 D565,878 S * 4/2008 Krus D6/542
 7,354,015 B2 4/2008 Byrd et al.
 D581,193 S 11/2008 Ghiorghie
 D582,187 S 12/2008 Yang et al.
 7,479,000 B2 1/2009 Klassen
 D593,784 S * 6/2009 Chan D6/542
 7,540,397 B2 6/2009 Muderlak et al.

D604,544 S * 11/2009 Daams D6/542
 7,637,893 B2 12/2009 Christensen et al.
 D608,578 S 1/2010 Yang et al.
 D626,365 S * 11/2010 Yang D6/542
 D644,523 S 9/2011 Howell et al.
 D644,529 S 9/2011 Padain et al.
 D644,530 S 9/2011 Padain et al.
 D644,531 S 9/2011 Padain et al.
 8,087,543 B2 1/2012 Yang et al.
 8,096,445 B2 1/2012 Yang et al.
 8,109,301 B1 2/2012 Denise
 8,109,411 B2 2/2012 Yang et al.
 D658,915 S 5/2012 Fernandes et al.
 D659,452 S * 5/2012 Yang D6/542
 D659,454 S 5/2012 Fritz et al.
 D660,061 S * 5/2012 Fernandes D6/542
 D661,531 S * 6/2012 Tompkin D6/542
 D661,933 S 6/2012 Delgigante et al.
 D663,983 S * 7/2012 Yang D6/542
 D664,387 S * 7/2012 Kennedy D6/542
 D674,636 S * 1/2013 Yang D6/542
 8,360,285 B2 1/2013 Grbesic
 D682,589 S * 5/2013 Cheng D6/542
 D688,488 S 8/2013 Wang
 D689,299 S 9/2013 Kassem Llano et al.
 D690,129 S 9/2013 Clough et al.
 D690,130 S * 9/2013 Clough D6/542
 D690,131 S * 9/2013 Clough D6/542
 D690,530 S * 10/2013 Clough D6/542
 8,550,378 B2 10/2013 Mazooji et al.
 D693,597 S * 11/2013 Yang D6/542
 D699,047 S * 2/2014 Lissoni D6/542
 D699,475 S * 2/2014 Yang D6/542
 8,678,244 B2 3/2014 Yang et al.
 D706,549 S 6/2014 Cho
 D717,066 S 11/2014 Deacon
 D721,279 S 1/2015 Van Handel et al.
 D727,653 S * 4/2015 Bjerre-Poulsen D6/542
 D731,203 S 6/2015 Watson et al.
 D731,204 S 6/2015 Watson et al.
 D732,308 S * 6/2015 Enga D6/542
 9,265,383 B2 2/2016 Yang et al.
 2002/0179643 A1 12/2002 Knight et al.
 2002/0185002 A1 12/2002 Herrmann
 2004/0032749 A1 2/2004 Schindler et al.
 2004/0050875 A1 3/2004 Kobayashi
 2004/0103792 A1 6/2004 Cirigliano et al.
 2004/0134924 A1 7/2004 Hansen et al.
 2004/0226962 A1 11/2004 Mazursky et al.
 2005/0139612 A1 6/2005 Matthews et al.
 2006/0067546 A1 3/2006 Lewis et al.
 2006/0173576 A1 8/2006 Goerg et al.
 2006/0243740 A1 11/2006 Reynolds et al.
 2007/0000941 A1 1/2007 Hadden et al.
 2007/0138208 A1 6/2007 Scholz et al.
 2007/0158359 A1 7/2007 Rodrian
 2007/0274853 A1 11/2007 Merendeiro et al.
 2008/0277411 A1 11/2008 Beland et al.
 2008/0277421 A1 11/2008 Zlatic et al.
 2009/0026225 A1 1/2009 Lickstein
 2009/0088836 A1 4/2009 Bishop et al.
 2009/0140004 A1 6/2009 Scorgie
 2009/0184134 A1 7/2009 Ciavarella et al.
 2010/0031982 A1 2/2010 Hornsby et al.
 2010/0282772 A1 11/2010 Ionidis
 2011/0017769 A1 1/2011 Ophardt
 2011/0114669 A1 5/2011 Yang et al.
 2013/0200097 A1 8/2013 Yang et al.
 2013/0200109 A1 8/2013 Yang et al.
 2015/0238053 A1 8/2015 Yang et al.

FOREIGN PATENT DOCUMENTS

CA 144016 4/2012
 CA 147357 4/2013
 CA 152683 5/2014
 CA 2677130 C 8/2015
 CA 164020 4/2016
 CA 164266 5/2016

(56)

References Cited

FOREIGN PATENT DOCUMENTS

| | | |
|----|----------------|---------|
| CN | 302362836 S | 3/2013 |
| CN | 303102706 S | 2/2015 |
| CN | 303662896 S | 5/2016 |
| EP | 455431 | 11/1991 |
| EP | 2322068 A2 | 5/2011 |
| EP | 001342687-0001 | 9/2012 |
| EP | 001438402-0001 | 11/2015 |
| EP | 002764860-0001 | 11/2015 |
| JP | H07-23876 | 1/1995 |
| JP | D1117308 | 6/2001 |
| JP | D1266683 | 2/2006 |
| JP | D1553147 | 6/2016 |
| KR | 3002845520000 | 11/2001 |
| WO | WO 2008/095187 | 8/2008 |

| | | |
|----|-------------------|--------|
| WO | WO 2008/103300 A2 | 8/2008 |
| WO | WO 2012/122056 | 9/2012 |
| WO | WO 2013/119642 A1 | 8/2013 |
| WO | WO 2013/119874 A1 | 8/2013 |

OTHER PUBLICATIONS

U.S. Appl. No. 15/060,241, filed Mar. 3, 2016, Yang et al.
 U.S. Appl. No. 29/447,095, filed Feb. 28, 2013, Yang et al.
 U.S. Appl. No. 29/519,741, filed Mar. 6, 2015.
 U.S. Appl. No. 14/661,372, filed Mar. 18, 2015, Yang et al.
 The Sharper Image Soap Genie S1335, Mar. 2006, in 8 pages.
 Manring et al., "The Theoretical Flow Ripple of an External Gear Pump," Transactions of the ASME, vol. 125, Sep. 2003, pp. 396-404.

* cited by examiner

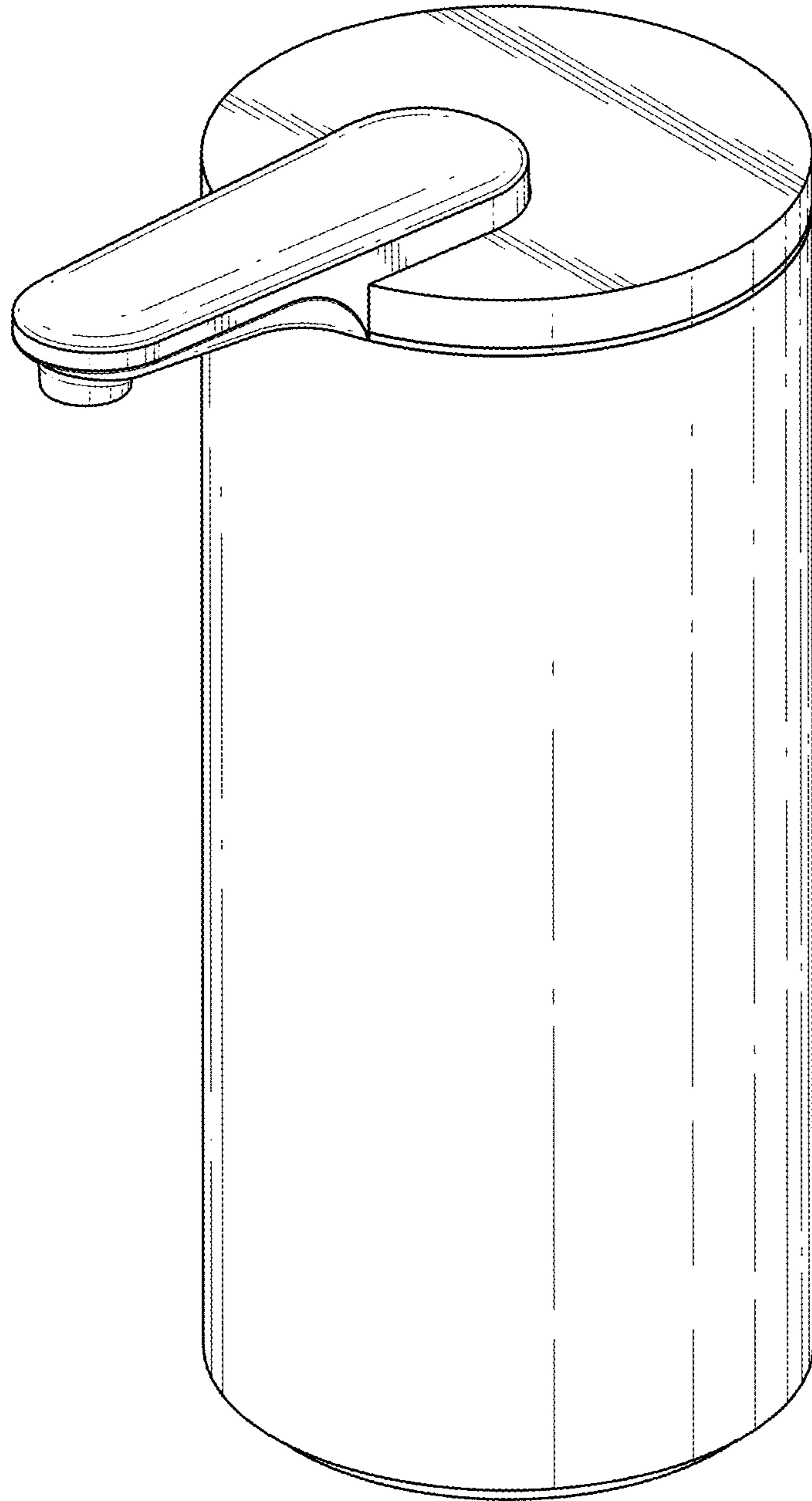


FIG. 1



FIG. 2

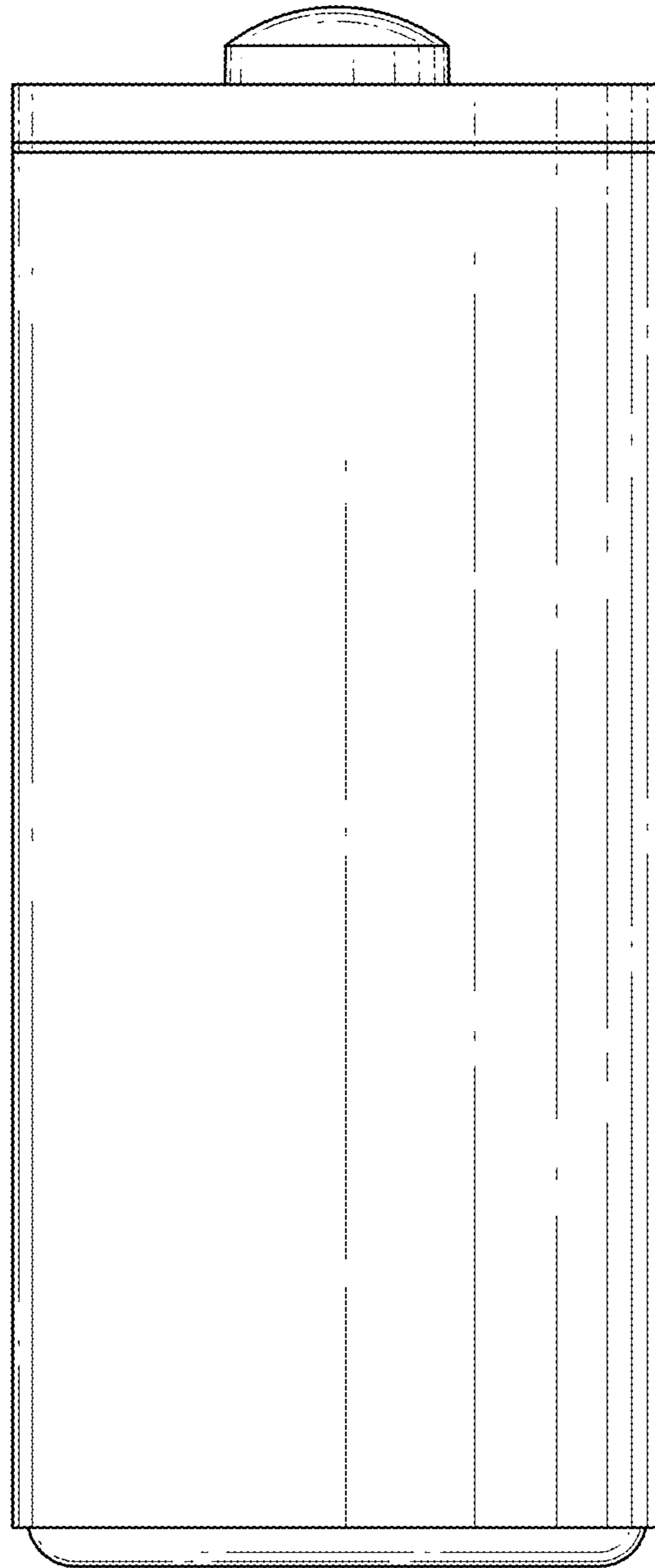


FIG. 3



FIG. 4

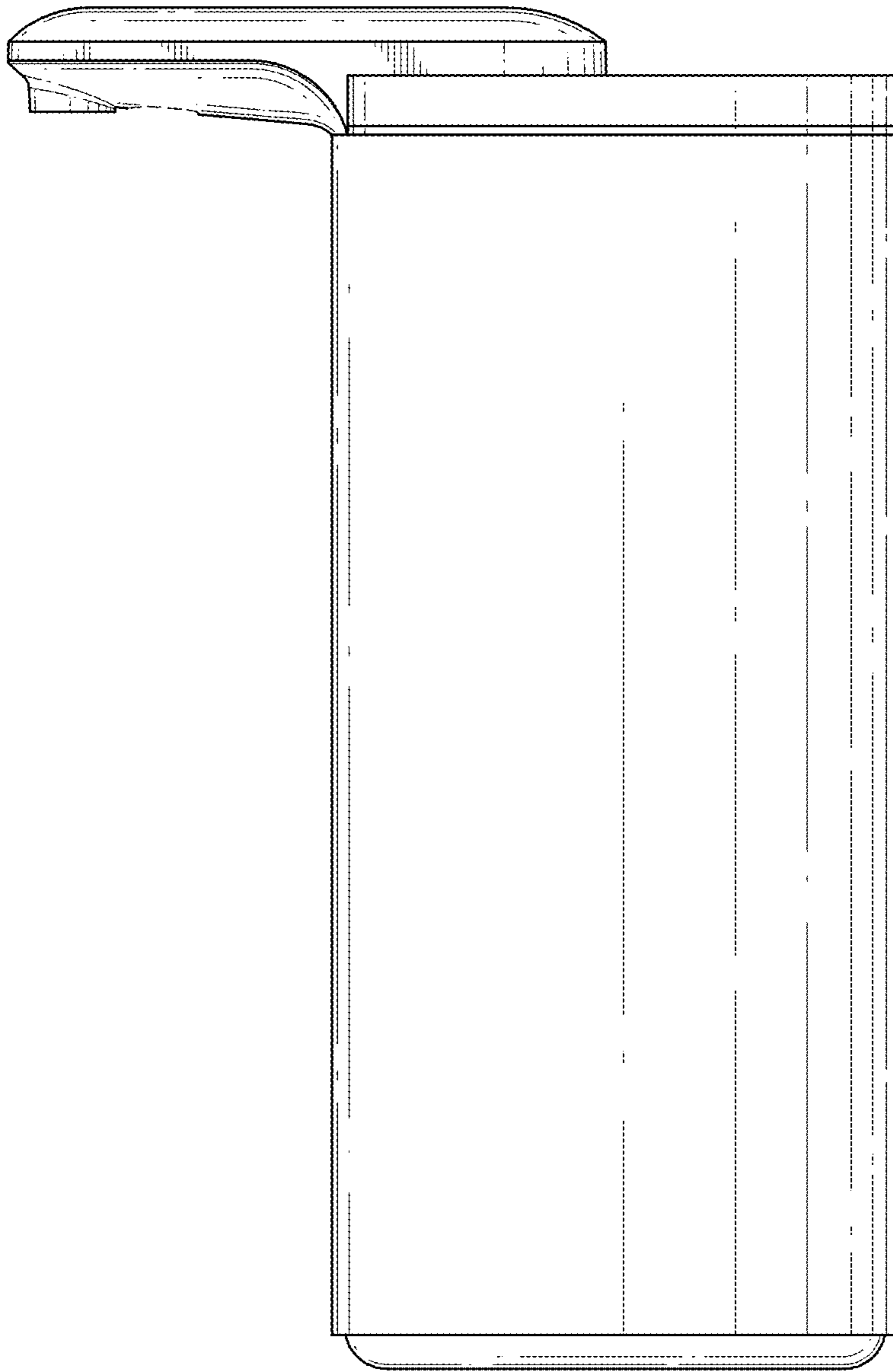


FIG. 5

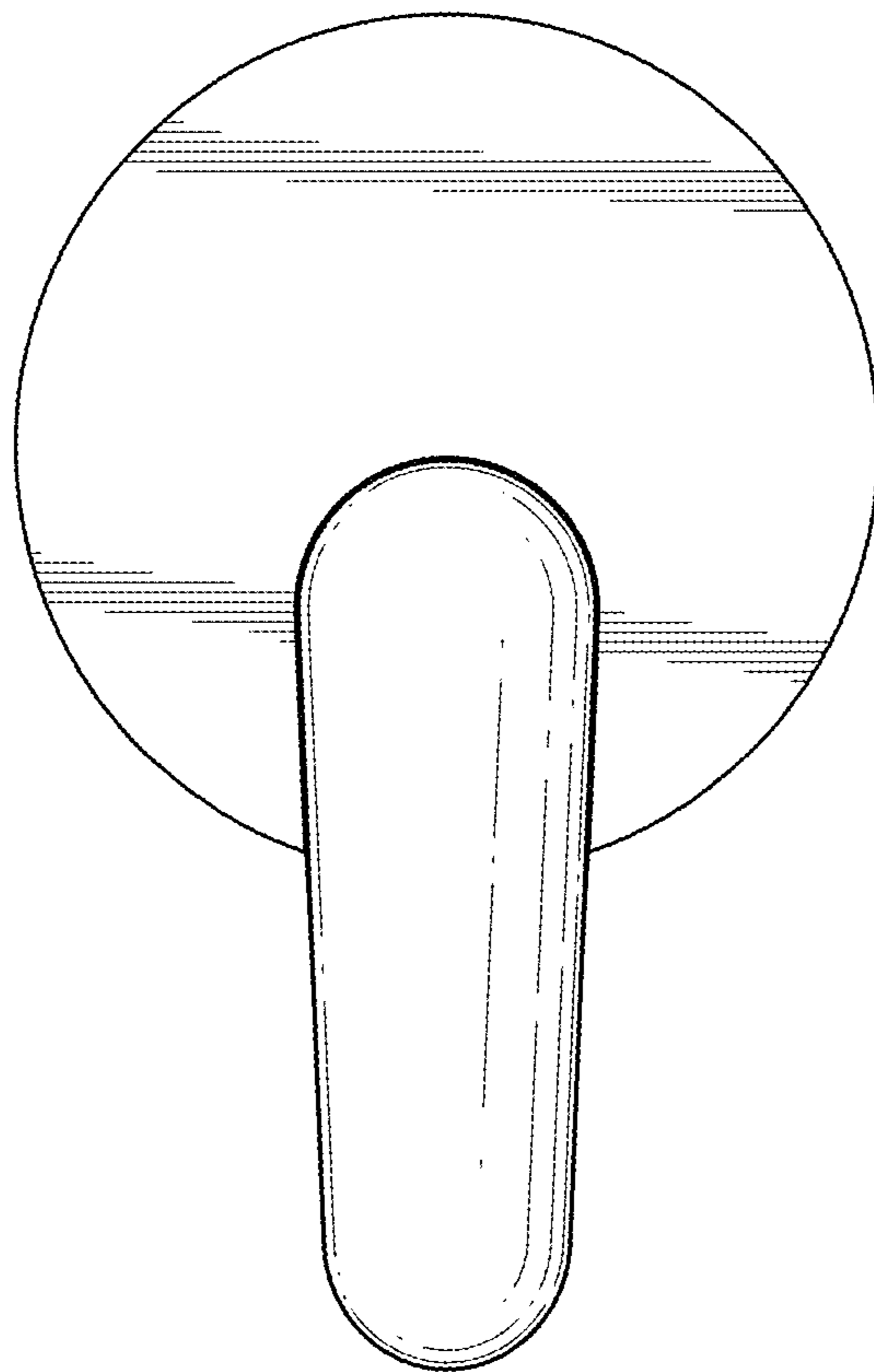


FIG. 6

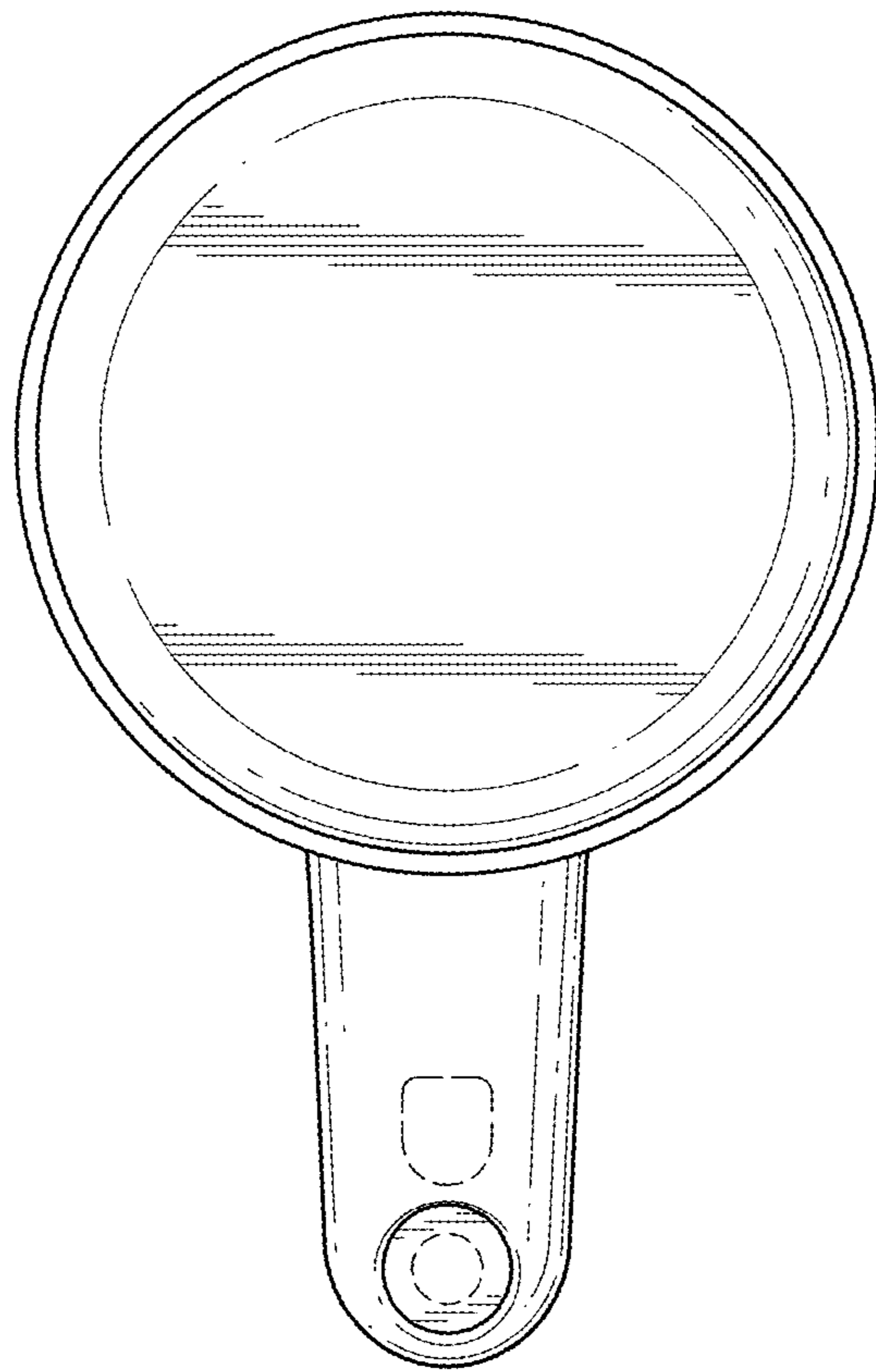


FIG. 7