



US00D770797S

(12) **United States Design Patent** (10) **Patent No.:** **US D770,797 S**
De Franza (45) **Date of Patent:** **** Nov. 8, 2016**

(54) **BATH TUB TRAY**
(71) Applicant: **Jack A. De Franza**, Garden City, NY (US)
(72) Inventor: **Jack A. De Franza**, Garden City, NY (US)
(**) Term: **14 Years**
(21) Appl. No.: **29/523,935**
(22) Filed: **Apr. 15, 2015**
(51) **LOC (10) Cl.** **06-06**
(52) **U.S. Cl.**
USPC **D6/525**
(58) **Field of Classification Search**
USPC D6/524, 525; D19/90, 91; D12/133;
108/42, 43, 49, 152; 211/42;
248/441 B, 441 D, 444, 451, 452, 454,
248/455, 456; 4/559, 565.1, 570, 577.1,
4/579, 605, 611; D23/303, 304
CPC A47K 3/004; A47B 23/00
See application file for complete search history.

5,669,313 A 9/1997 Cottingham
5,761,753 A 6/1998 Talbert
6,152,417 A * 11/2000 Randall A47B 97/08
108/43
6,212,705 B1 4/2001 Kramer
D448,225 S 9/2001 Wright
7,509,696 B2 * 3/2009 Soto A47C 7/70
108/49
8,171,586 B2 * 5/2012 Clack A47C 21/00
297/188.2
2002/0020797 A1 2/2002 Artz
2007/0170339 A1 7/2007 Cooper
2008/0289094 A1 11/2008 Blom

FOREIGN PATENT DOCUMENTS

WO W09600028 1/1996

* cited by examiner

Primary Examiner — David Muller
Assistant Examiner — Nathan Johnston

(57) **CLAIM**

The ornamental design for a bath tub tray, as shown and described.

DESCRIPTION

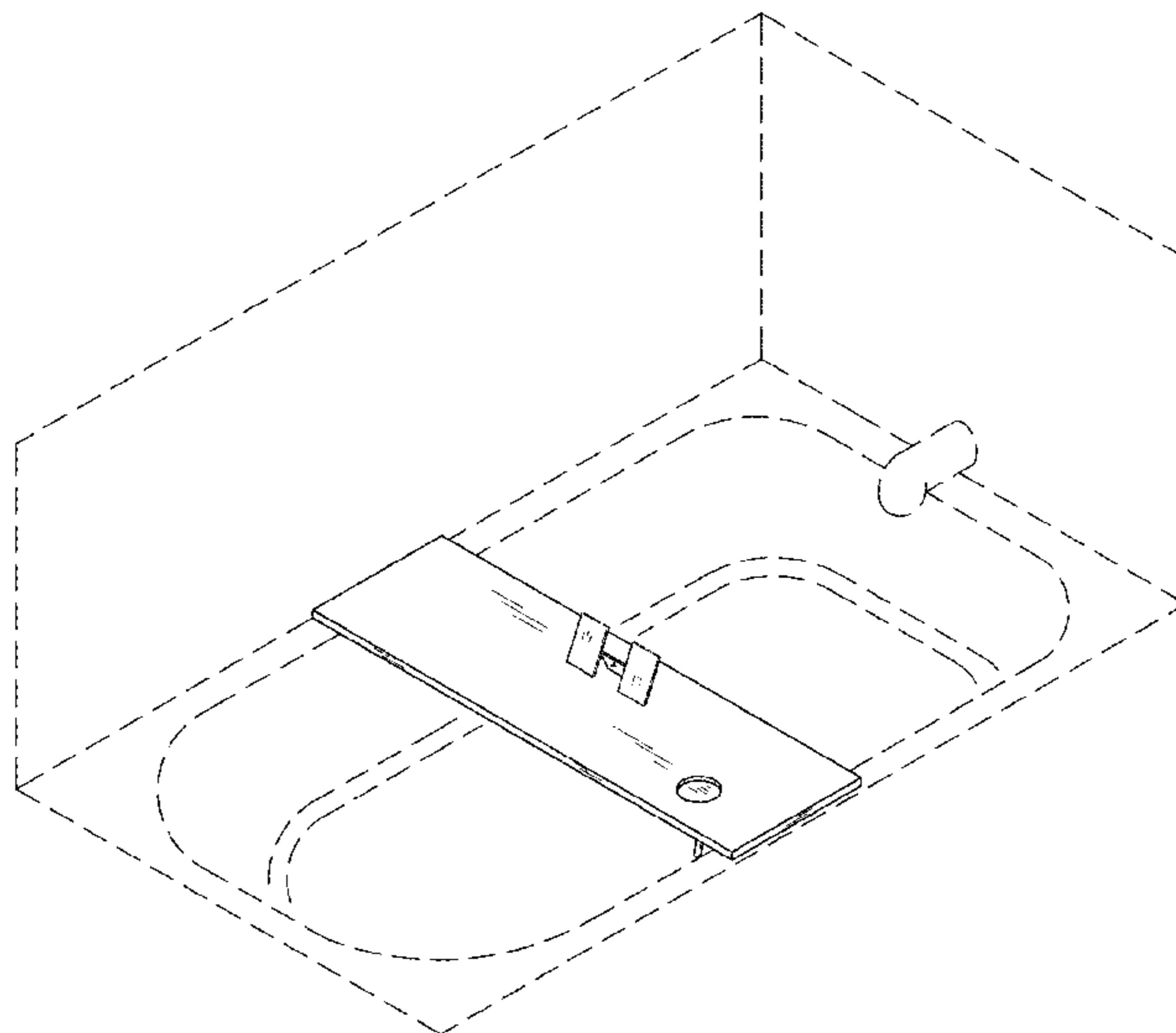
FIG. 1 is a front elevation view of a bath tub tray showing my new design;
FIG. 2 is a rear elevation view thereof;
FIG. 3 is a left side elevation view thereof;
FIG. 4 is a right side elevation view thereof;
FIG. 5 is a top plan view thereof;
FIG. 6 is a bottom plan view thereof; and,
FIG. 7 is a top front side perspective view of the bath tub tray in use.
The broken line showing of parts of the drawings is included for the purpose of illustrating use and environment and forms no part of the claimed design.

1 Claim, 3 Drawing Sheets

(56) **References Cited**

U.S. PATENT DOCUMENTS

1,942,340 A * 1/1934 Madden A47B 19/00
248/456
3,239,850 A * 3/1966 Kiss A47K 3/004
248/447.1
D218,980 S * 10/1970 Balkus D6/406.4
D237,334 S * 10/1975 Garofalo D19/91
D246,403 S * 11/1977 Tempchin 4/559
D249,533 S * 9/1978 Cudahy, III D19/113
4,472,843 A * 9/1984 Chermak A47K 3/004
108/13
4,939,799 A * 7/1990 Van Hovel A47K 3/122
4/559
D351,461 S * 10/1994 Wannamaker D23/304
5,548,855 A * 8/1996 Jackson A47K 3/004
4/549



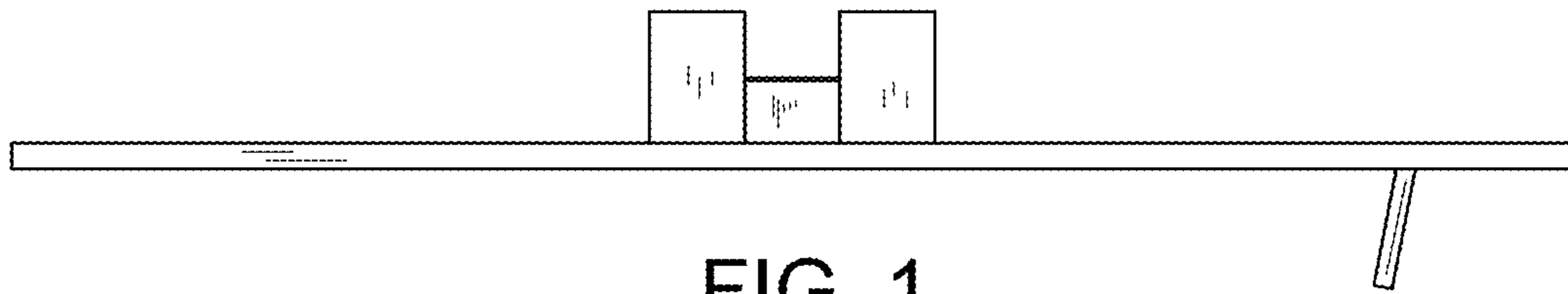


FIG. 1

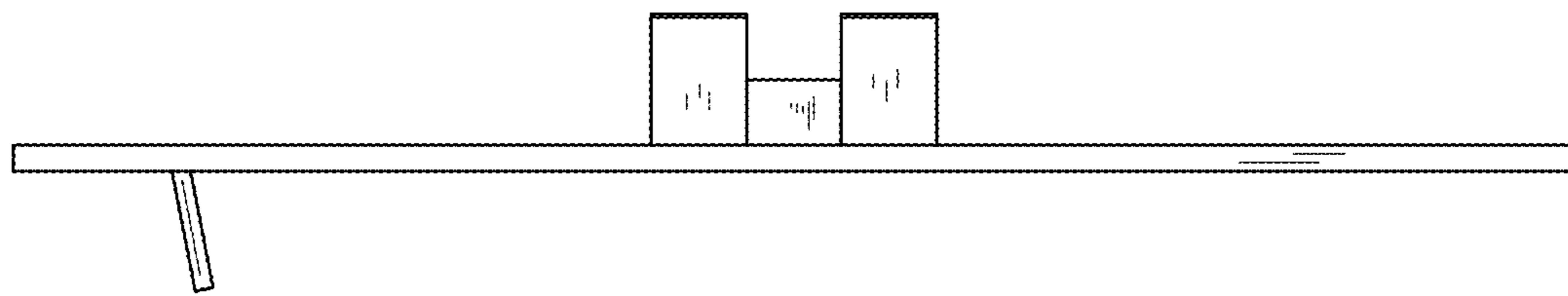


FIG. 2

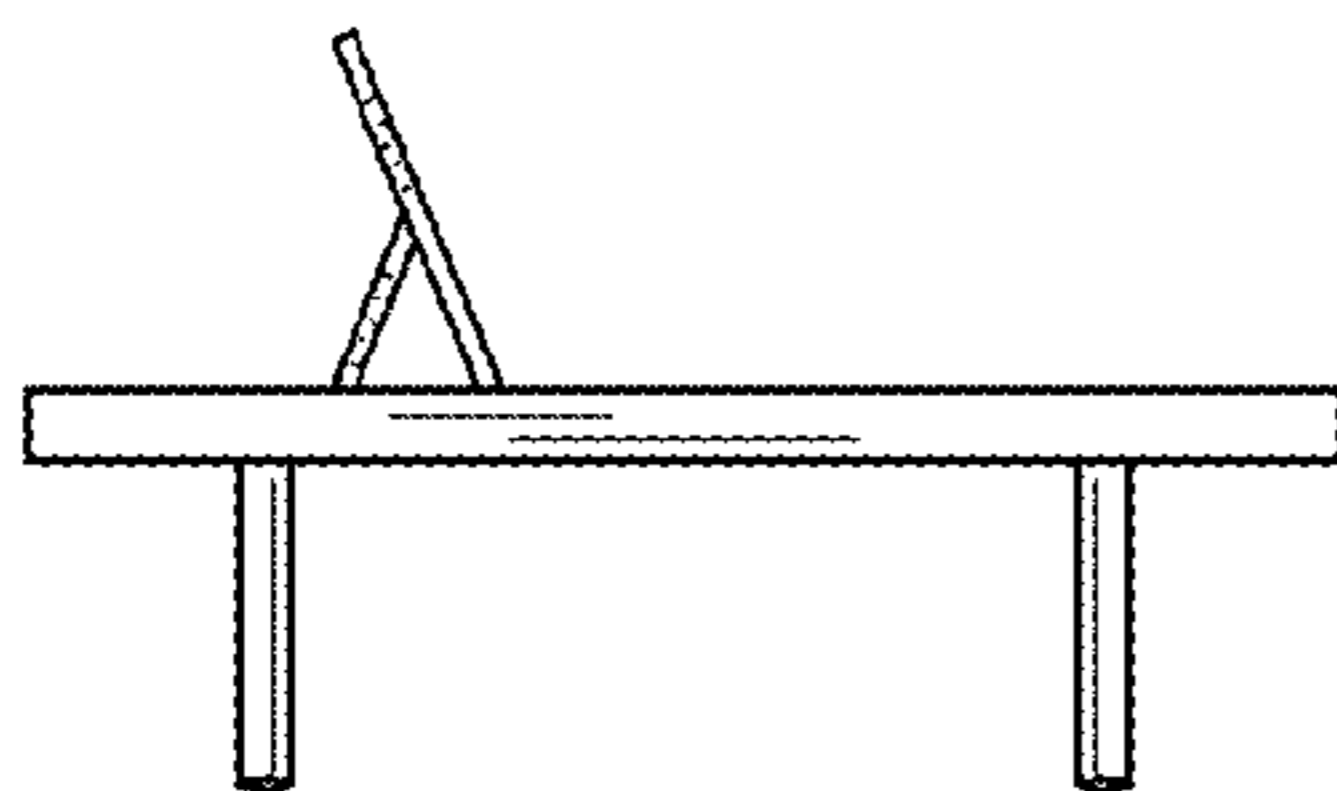


FIG. 3

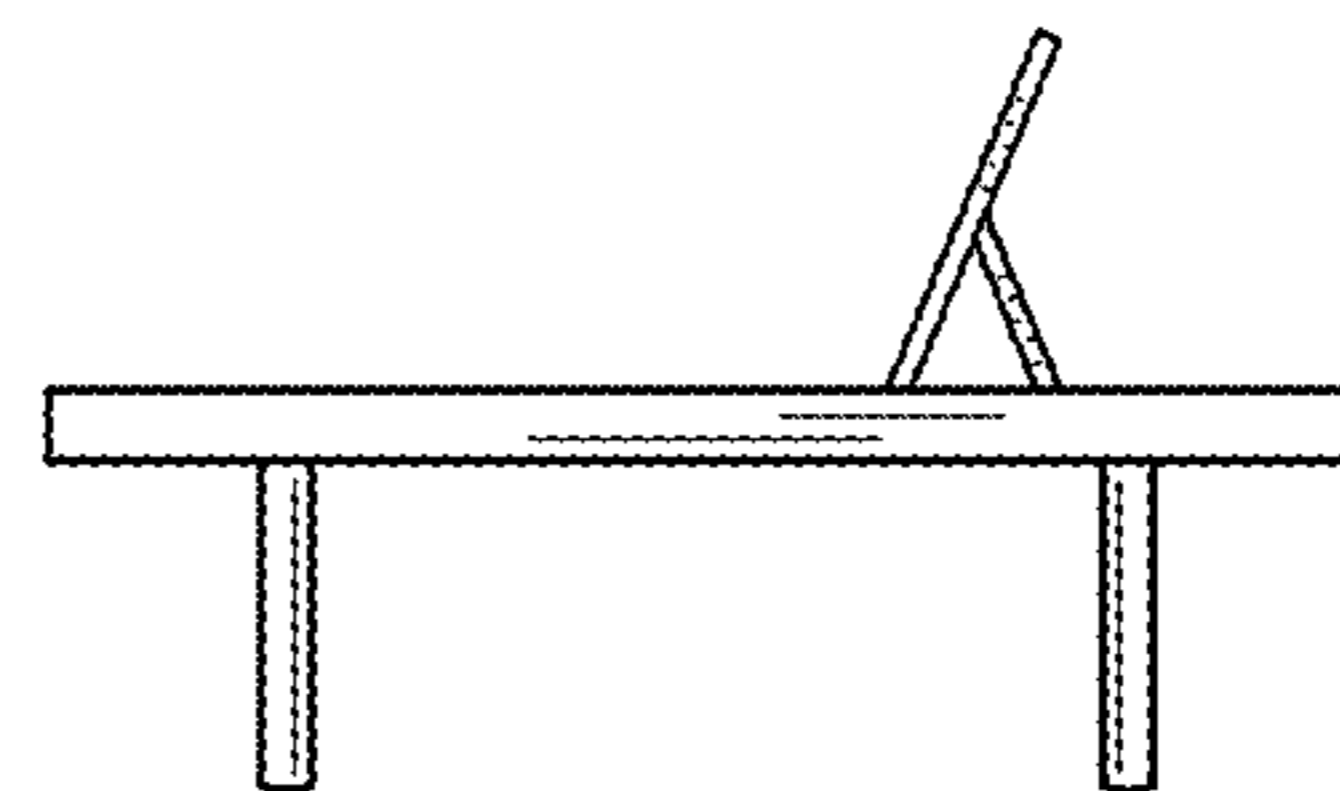


FIG. 4

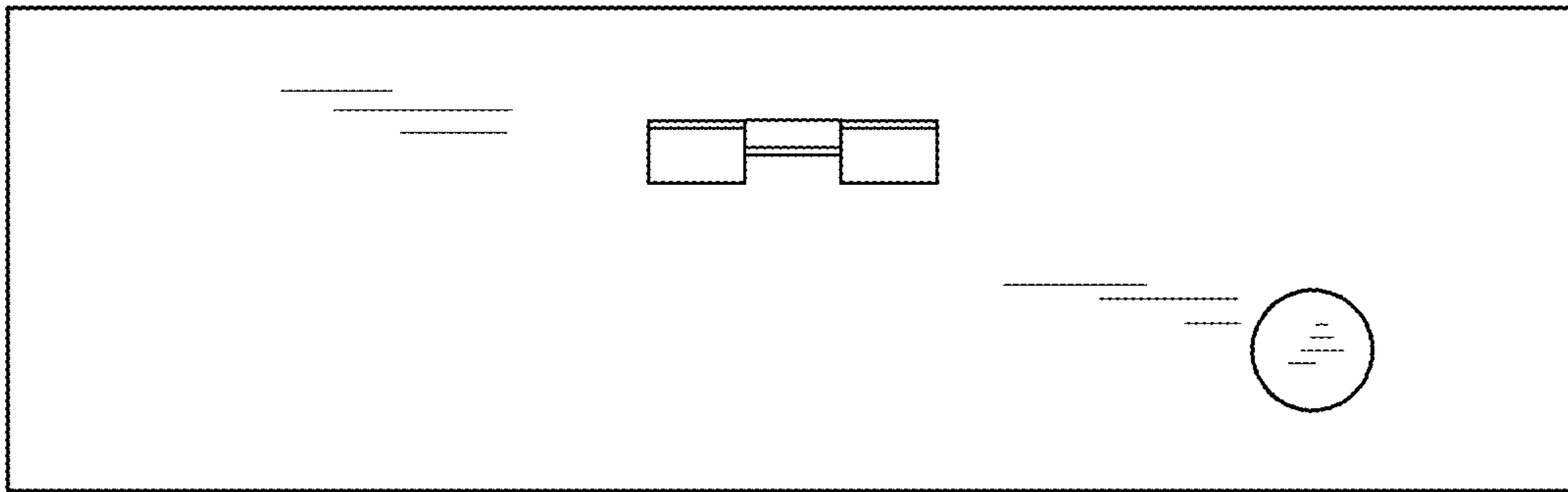


FIG. 5

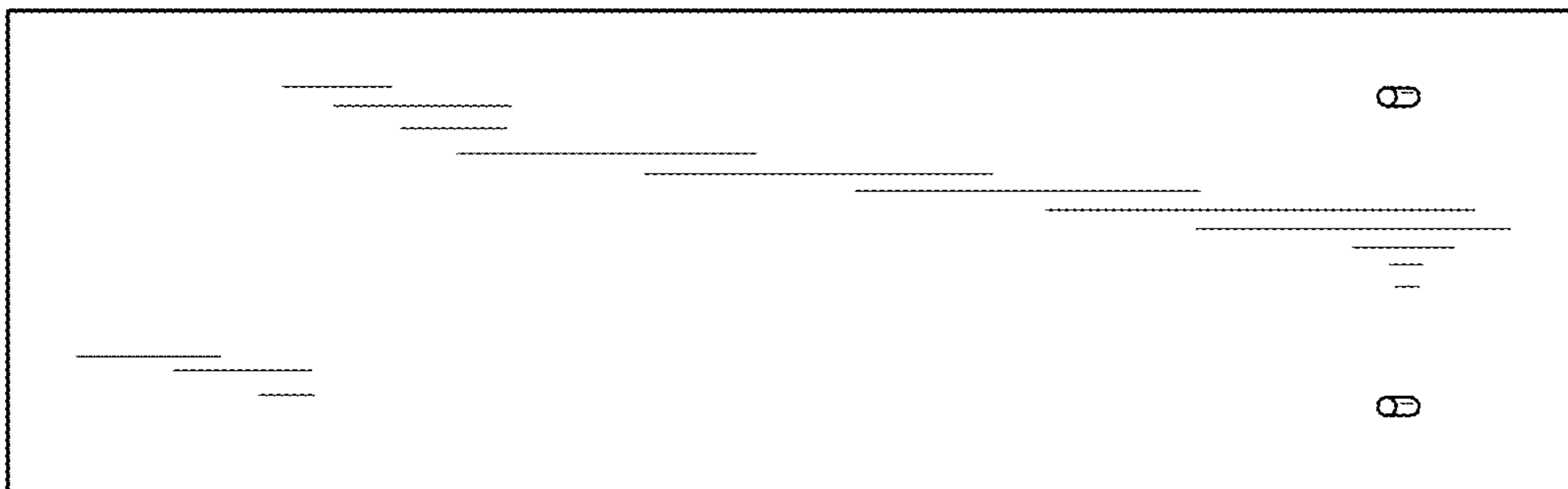


FIG. 6

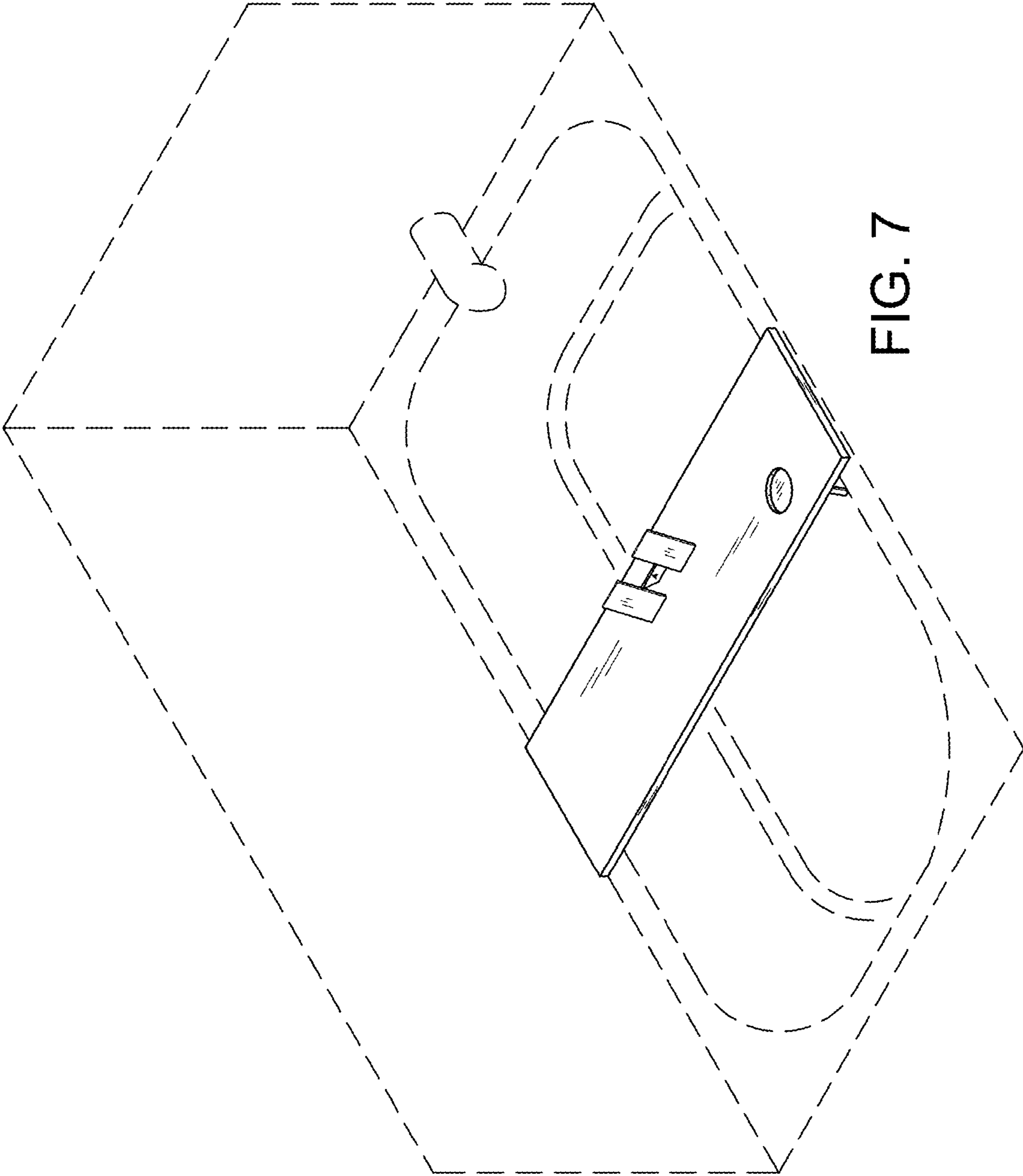


FIG. 7