



US00D770796S

(12) **United States Design Patent** (10) **Patent No.:** **US D770,796 S**
Lin (45) **Date of Patent:** **** Nov. 8, 2016**

(54) **PERSONAL TRAY TABLE**
(71) Applicant: **Zhuhai Shichang Metals Ltd., Zhuhai (CN)**
(72) Inventor: **Wen-Sheng Lin, Kaohsiung (TW)**
(73) Assignee: **Zhuhai Shichang Metals Ltd. (CN)**
(**) Term: **15 Years**
(21) Appl. No.: **29/542,872**
(22) Filed: **Oct. 19, 2015**
(51) **LOC (10) Cl.** **06-06**
(52) **U.S. Cl.**
USPC **D6/406.1**
(58) **Field of Classification Search**
USPC D6/406.1, 406.3, 406.5, 685-686, 696,
D6/696.3, 692.4, 691.6, 656.13
CPC A47B 97/14; A47B 9/00; A47B 13/06;
A47B 17/02
See application file for complete search history.

(56) **References Cited**
U.S. PATENT DOCUMENTS
544,603 A 8/1895 Thompson
1,394,526 A * 10/1921 Amsden A47B 23/046
108/141
2,150,397 A * 3/1939 Owen A47B 23/046
108/8
D122,925 S * 10/1940 Holden et al. D6/406.2
2,299,909 A * 10/1942 Linderme A47B 3/0818
248/158
2,604,884 A * 7/1952 Walker A47J 37/0772
108/106
2,675,286 A 4/1954 Derman
2,968,059 A 1/1961 Munson
3,026,079 A * 3/1962 Stack A61G 7/0503
248/122.1
3,217,672 A * 11/1965 Haughey A47B 9/12
108/106
3,358,620 A * 12/1967 Parigi A47B 27/14
108/10
3,853,297 A * 12/1974 Drolet A47B 9/08
108/147.19

D236,045 S * 7/1975 Petrie D6/656.11
D236,775 S * 9/1975 Cowley D6/656.11
3,903,812 A * 9/1975 Cowley A47B 27/06
108/150
3,908,561 A * 9/1975 Cowley A47B 27/06
108/136
D246,880 S * 1/1978 Miola D24/183
4,248,161 A * 2/1981 Adair A47B 27/02
108/6
D270,588 S * 9/1983 Kemple D6/406.1
D289,588 S * 5/1987 Winzeler, III D6/691.7
D290,072 S * 6/1987 Winzeler, III D6/691.4
D296,851 S * 7/1988 Kelley D6/656.11
4,970,968 A 11/1990 Mattesky
D314,878 S * 2/1991 Hart D6/691.3
RE33,645 E * 7/1991 Coote B25H 5/00
211/70.6
D341,507 S * 11/1993 Harvey D6/696.1
5,299,510 A 4/1994 Mattesky
D353,287 S * 12/1994 Hemberger D6/708.17
5,460,392 A * 10/1995 Hansen B25H 5/00
280/32.5
5,465,671 A * 11/1995 Genest A47B 23/00
108/147
5,771,613 A * 6/1998 Geils D05C 1/02
108/150

(Continued)

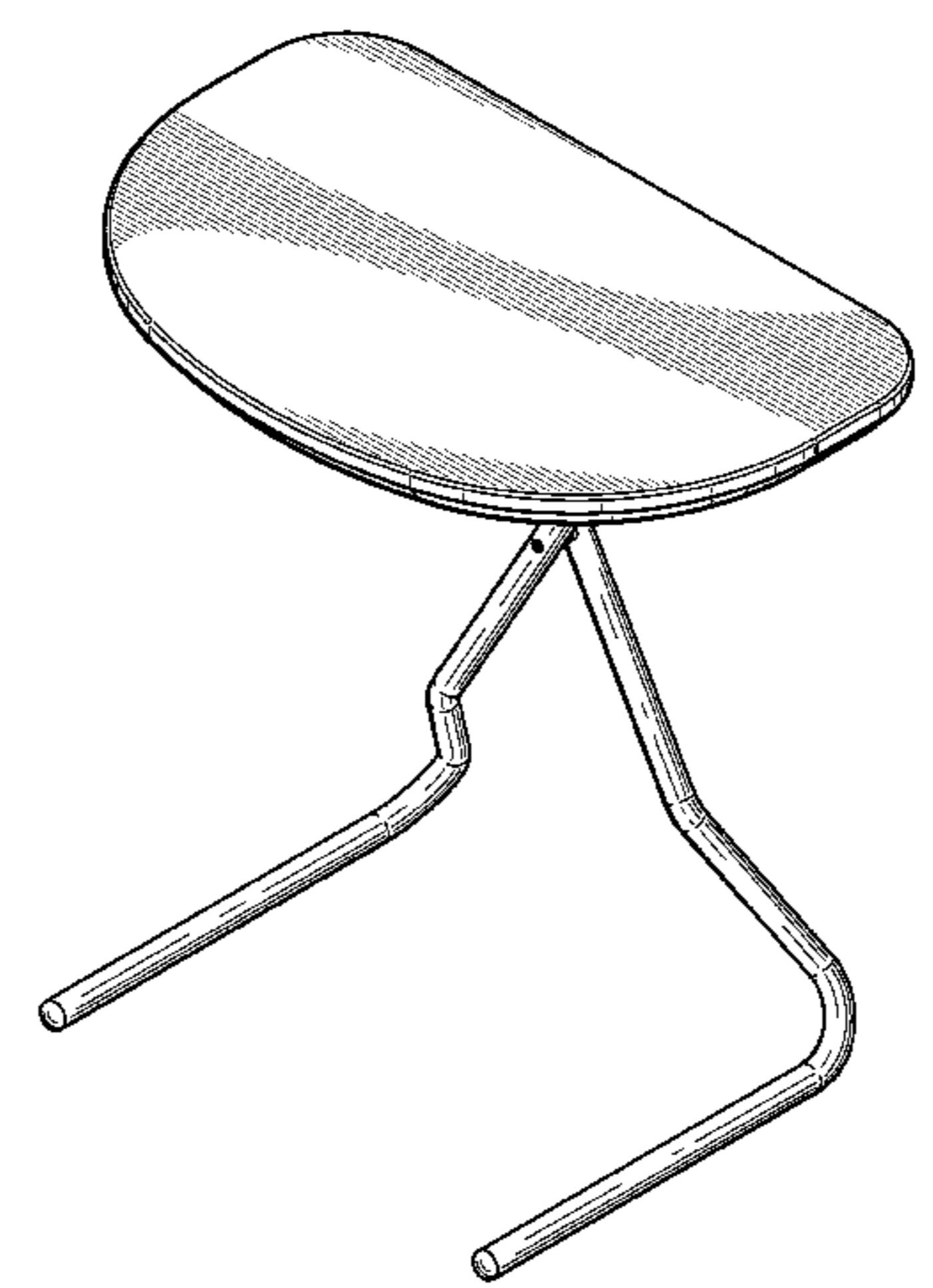
Primary Examiner — Kelley Donnelly
(74) *Attorney, Agent, or Firm* — Luedeka Neely Group, P.C.

(57) **CLAIM**
The ornamental design for a personal tray table, as shown and described.

DESCRIPTION

FIG. 1 is a top perspective view of the personal tray table; FIG. 2 is a left side elevation view of the personal tray table; FIG. 3 is a right side elevation view of the personal tray table; FIG. 4 is a front elevation view of the personal tray table; FIG. 5 is a rear elevation view of the personal tray table; FIG. 6 is a top plan view of the personal tray table; FIG. 7 is a bottom plan view of the personal tray table; and, FIG. 8 is a bottom perspective view of the personal tray table.

1 Claim, 7 Drawing Sheets



(56)

References Cited

U.S. PATENT DOCUMENTS

D417,980 S * 12/1999 Fraquelli D6/656.15
 D441,224 S * 5/2001 Scheper D6/692.3
 6,327,982 B1 * 12/2001 Jackson A47B 23/046
 108/142
 6,578,500 B2 * 6/2003 Malizia A47B 3/00
 108/115
 6,688,634 B2 * 2/2004 Noffsinger B25H 3/06
 280/47.19
 6,694,891 B1 * 2/2004 Lai A47B 3/0818
 108/116
 6,817,303 B2 * 11/2004 Gosselin A47B 9/14
 108/115
 D515,850 S * 2/2006 Duke D6/693.3
 7,059,254 B2 6/2006 Strong et al.
 D531,839 S * 11/2006 Lade D6/692.3
 D548,496 S * 8/2007 Santani D6/656.13
 7,263,932 B2 9/2007 Winter et al.
 7,341,006 B2 * 3/2008 Hernandez A47B 3/0815
 108/115
 D595,070 S * 6/2009 Wacker D6/708.17

7,631,604 B2 * 12/2009 Huang A47B 3/08
 108/115
 D611,737 S * 3/2010 Miller D6/692
 D612,169 S * 3/2010 Chang D6/656.13
 D614,892 S * 5/2010 Miller D6/708
 D615,324 S * 5/2010 Yamamoto D6/656.15
 D620,276 S * 7/2010 Miller D6/406.2
 7,823,518 B2 * 11/2010 Phillips A47B 21/00
 108/144.11
 D640,486 S * 6/2011 Saelid D6/656.15
 D655,111 S * 3/2012 Kincaid D6/708
 D671,771 S * 12/2012 Heyvaerts D6/691.4
 D694,044 S * 11/2013 Copeland D6/656.15
 D720,948 S * 1/2015 Gonzalez D6/656.13
 2007/0234934 A1 * 10/2007 Branch A47B 23/046
 108/115
 2007/0289506 A1 * 12/2007 Branch A47B 23/046
 108/116
 2009/0307843 A1 * 12/2009 Hookway A47B 23/046
 5/425
 2014/0338573 A1 * 11/2014 Rassat A47C 5/04
 108/150

* cited by examiner

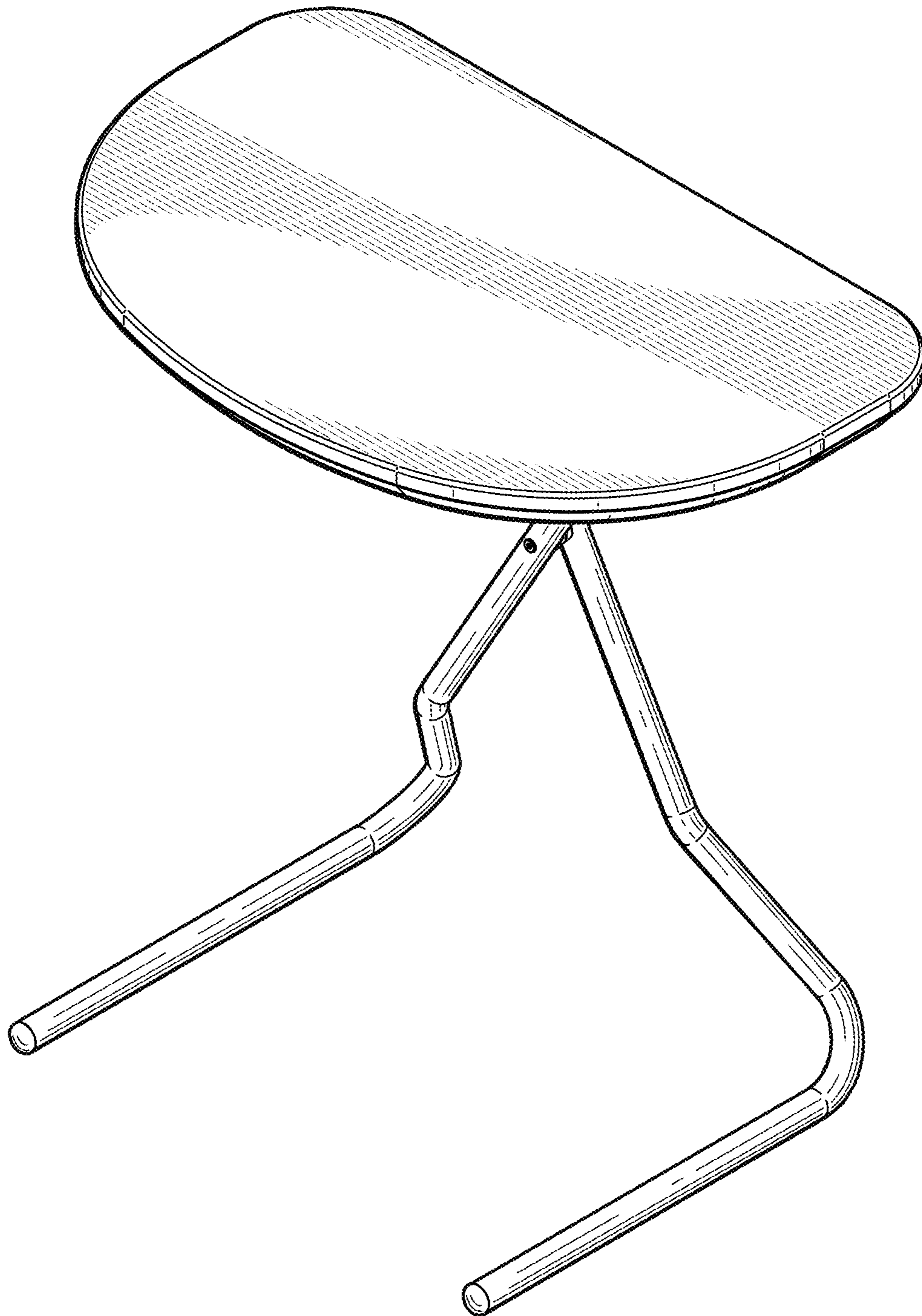


FIG. 1

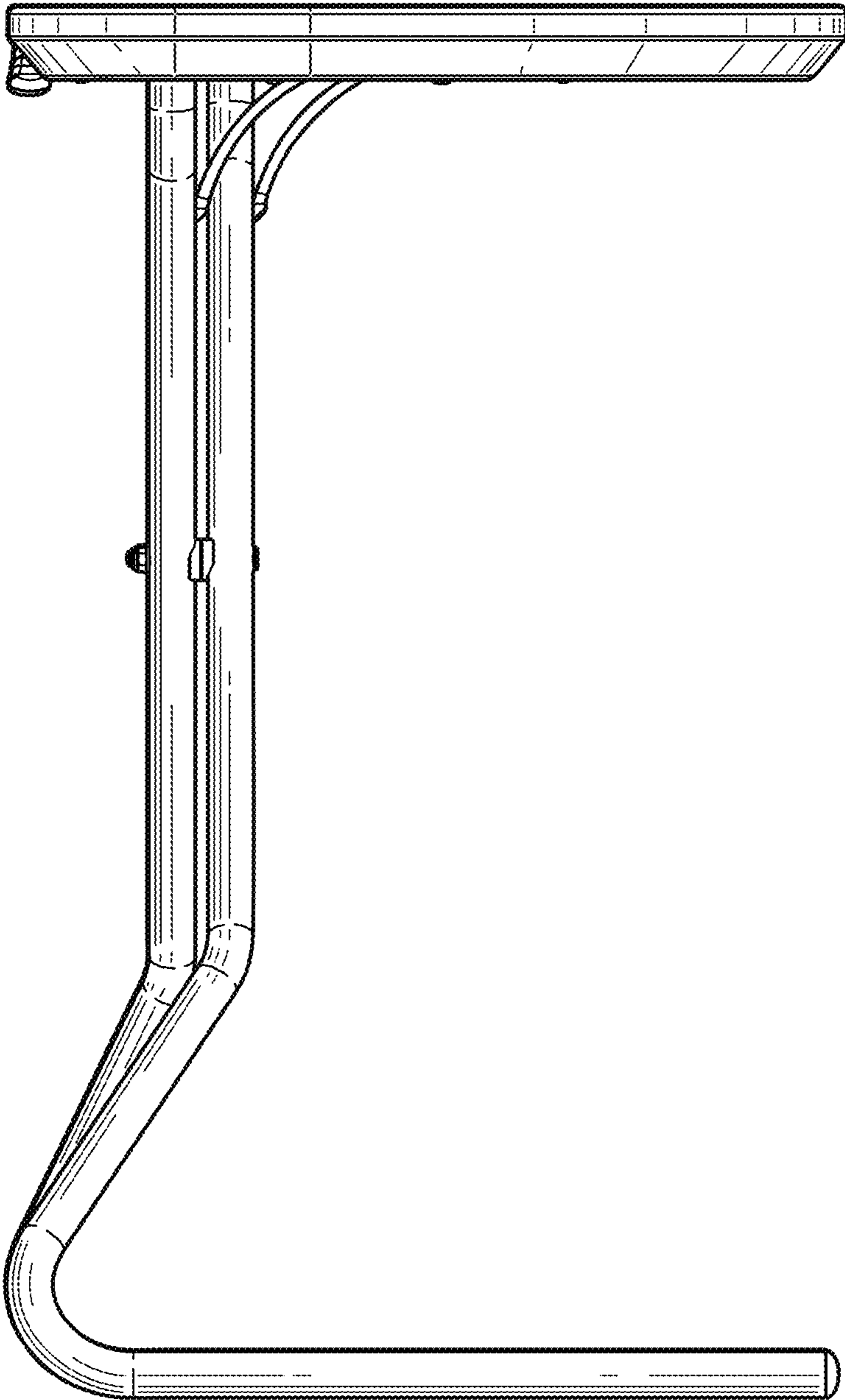


FIG. 2

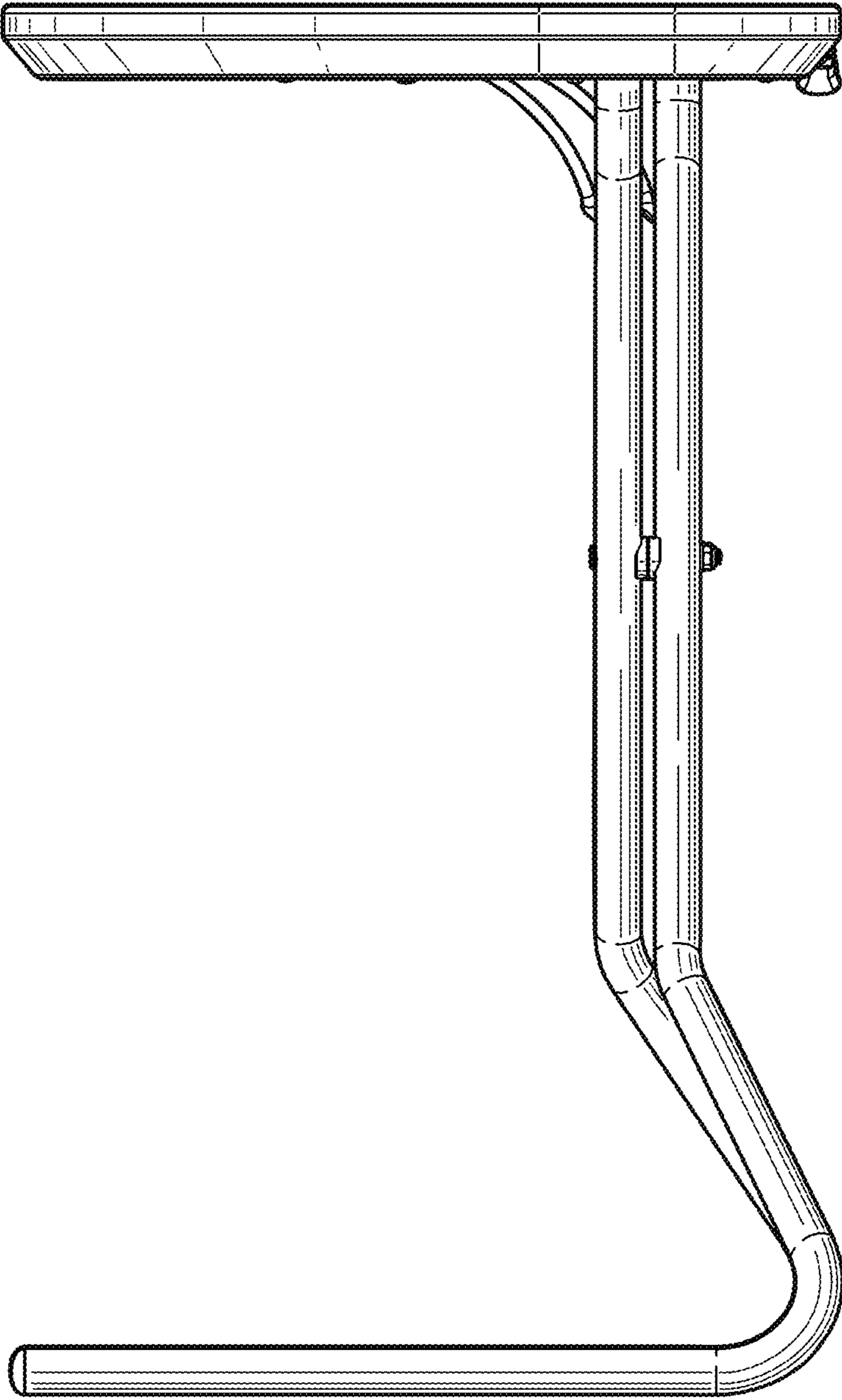


FIG. 3

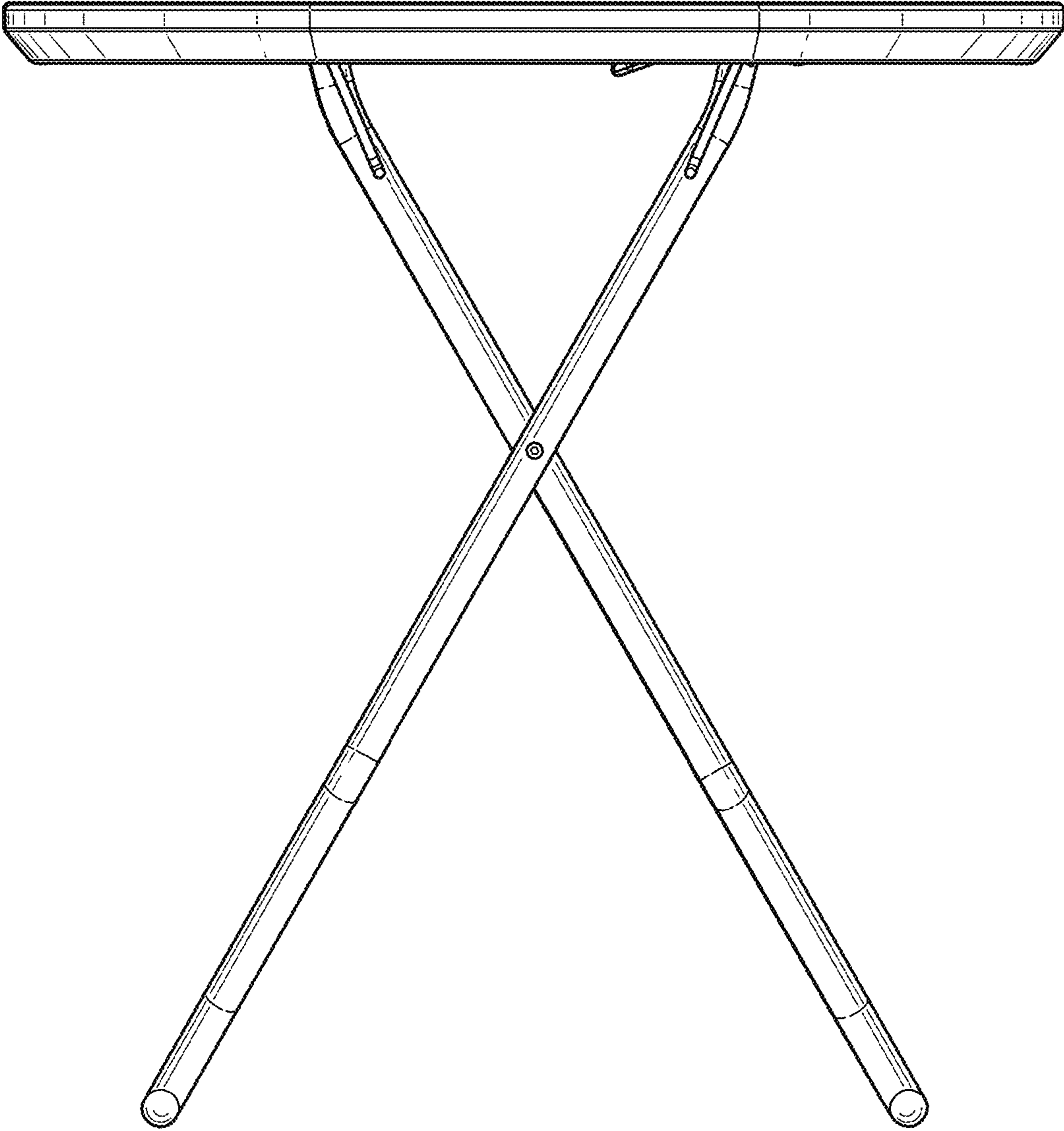


FIG. 4

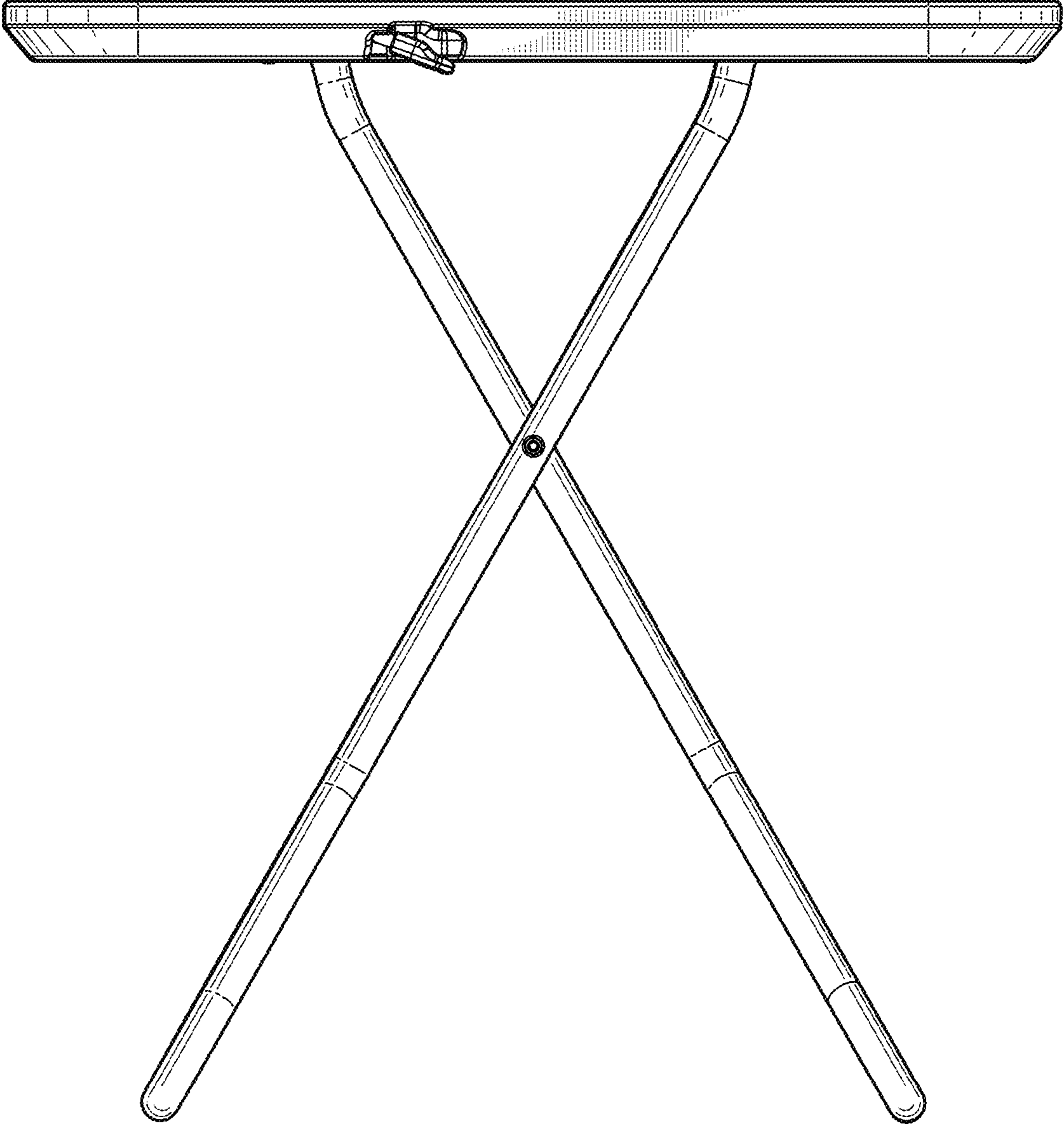


FIG. 5

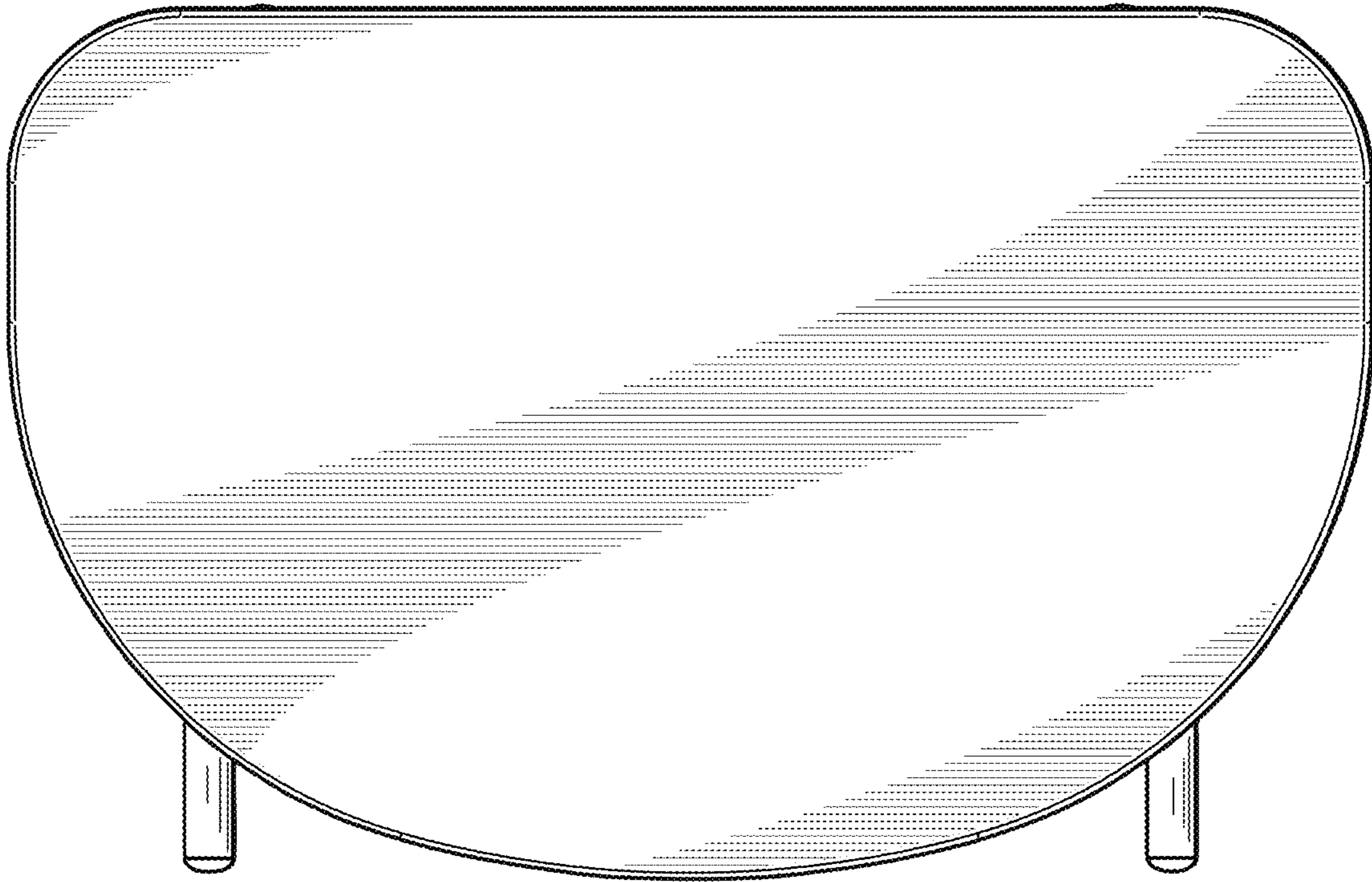


FIG. 6

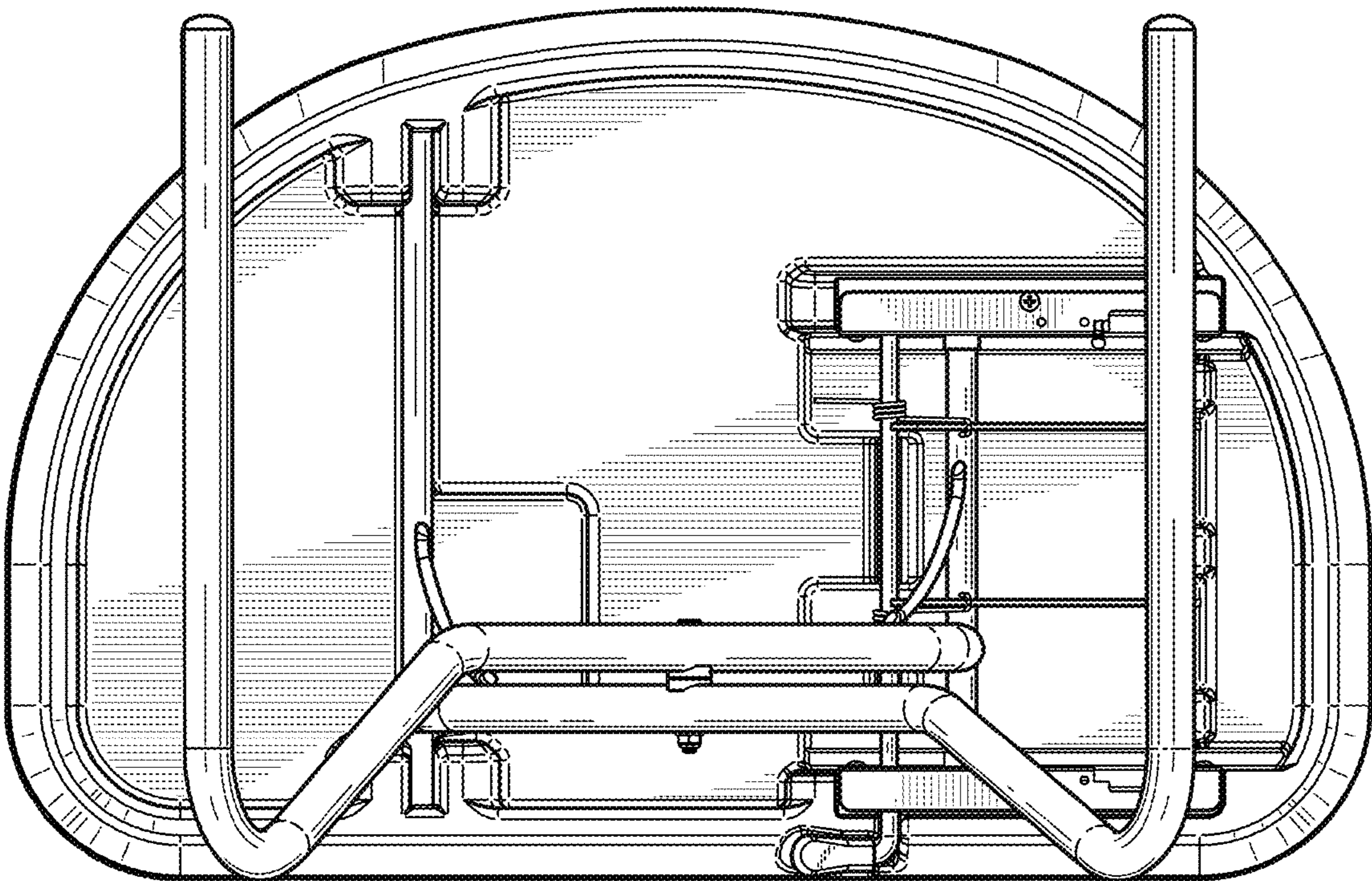


FIG. 7

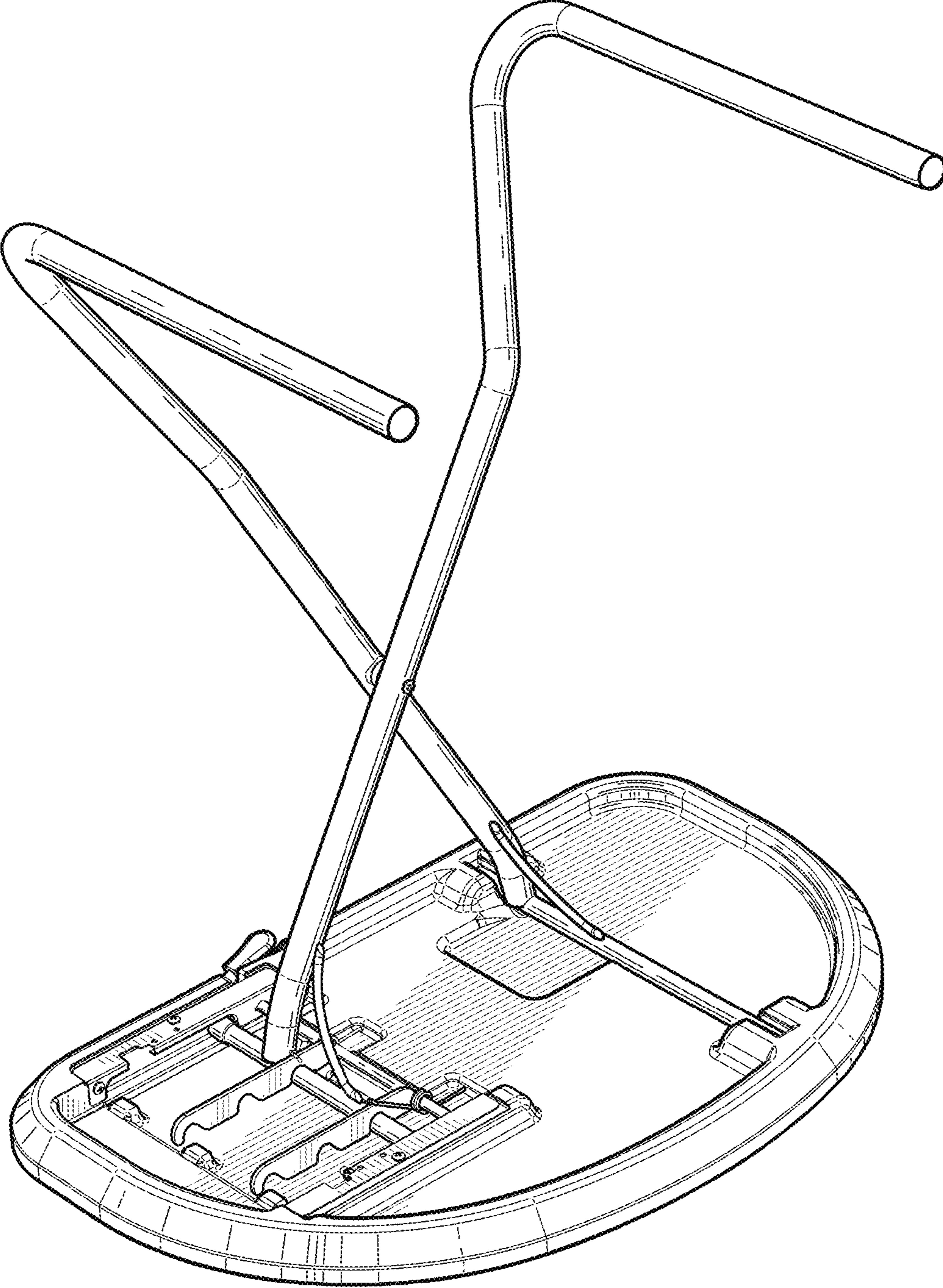


FIG. 8