



US00D770789S

(12) **United States Design Patent**  
**Chen et al.**

(10) **Patent No.:** **US D770,789 S**

(45) **Date of Patent:** **\*\* Nov. 8, 2016**

(54) **CHAIR**

(71) Applicants: **Michael Chen**, Baldwin Park, CA (US);  
**Adam Miller**, Los Angeles, CA (US)

(72) Inventors: **Michael Chen**, Baldwin Park, CA (US);  
**Adam Miller**, Los Angeles, CA (US)

(73) Assignees: **Michael Chen**, Baldwin Park, CA (US);  
**Wen Wei**, Baldwin Park, CA (US);  
**Billy Chen**, Baldwin Park, CA (US)

(\*\*) Term: **14 Years**

(21) Appl. No.: **29/525,643**

(22) Filed: **Apr. 30, 2015**

(51) **LOC (10) Cl.** ..... **06-01**

(52) **U.S. Cl.**  
USPC ..... **D6/366**

(58) **Field of Classification Search**  
USPC ..... D6/334-336, 364, 365, 366, 374, 375,  
D6/379, 380, 716, 716.1, 716.2, 716.4  
CPC ..... A47C 7/004; A47C 7/022; A47C 7/40;  
A47C 7/18; A47C 7/24  
See application file for complete search history.

(56) **References Cited**

**U.S. PATENT DOCUMENTS**

D239,791 S \* 5/1976 Alessandri ..... D6/366  
D254,038 S \* 1/1980 Hosoe ..... D6/366  
D267,680 S \* 1/1983 Leffler ..... D6/366  
D273,917 S \* 5/1984 Pelly ..... D6/366

D289,708 S \* 5/1987 Rykken ..... D6/366  
D293,049 S \* 12/1987 Opsvik ..... D6/354  
D320,120 S \* 9/1991 Samuelsson ..... D6/366  
D320,705 S \* 10/1991 Novotny ..... D6/366  
D577,229 S \* 9/2008 Haaksma ..... D6/366  
D577,230 S \* 9/2008 Haaksma ..... D6/366  
D577,933 S \* 10/2008 Haaksma ..... D6/366  
D673,398 S \* 1/2013 Opsvik ..... D6/716.4  
D692,247 S \* 10/2013 Opsvik ..... D6/366

\* cited by examiner

*Primary Examiner* — Mimosa De

(74) *Attorney, Agent, or Firm* — Quickpatents, LLC;  
Kevin Prince

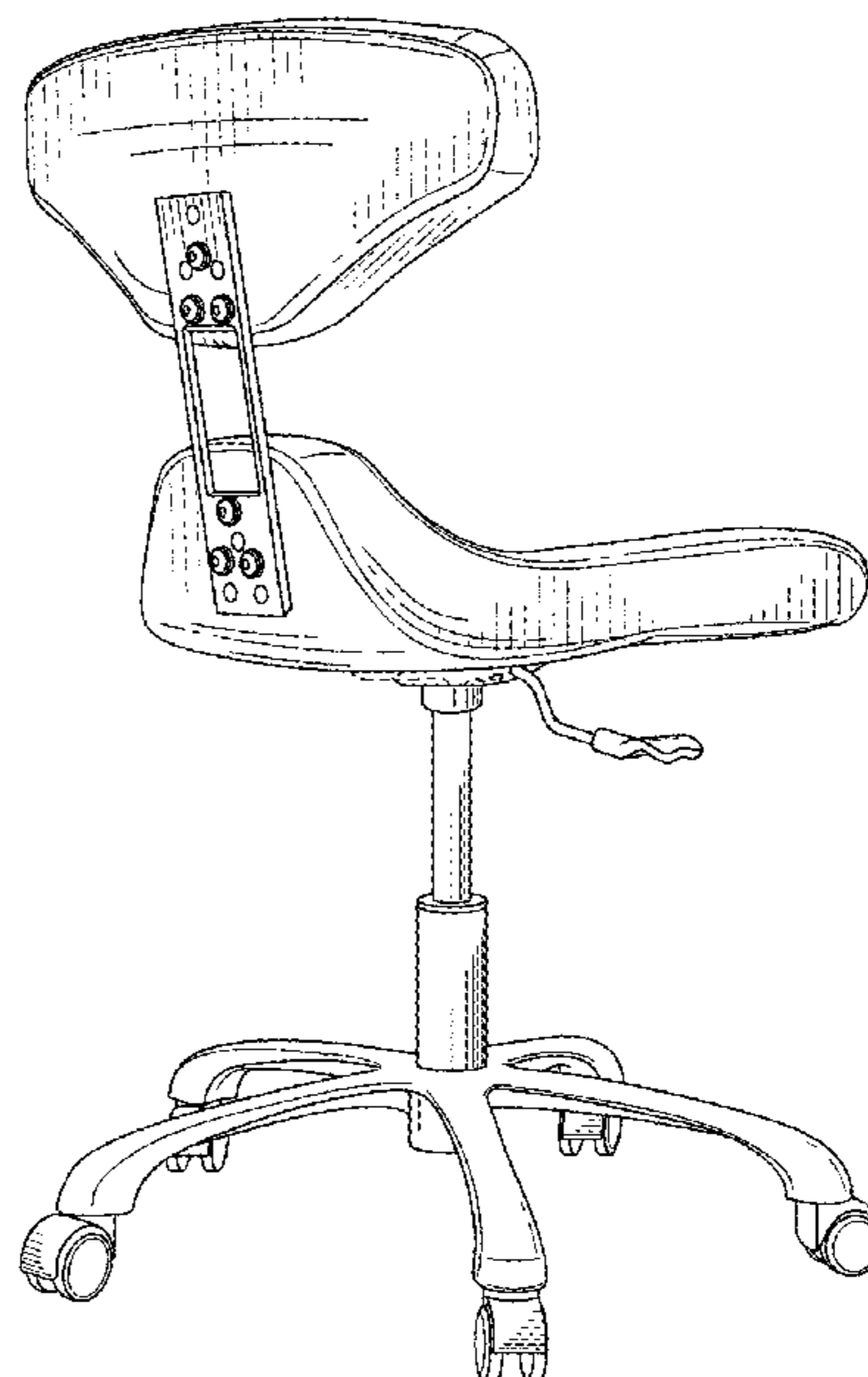
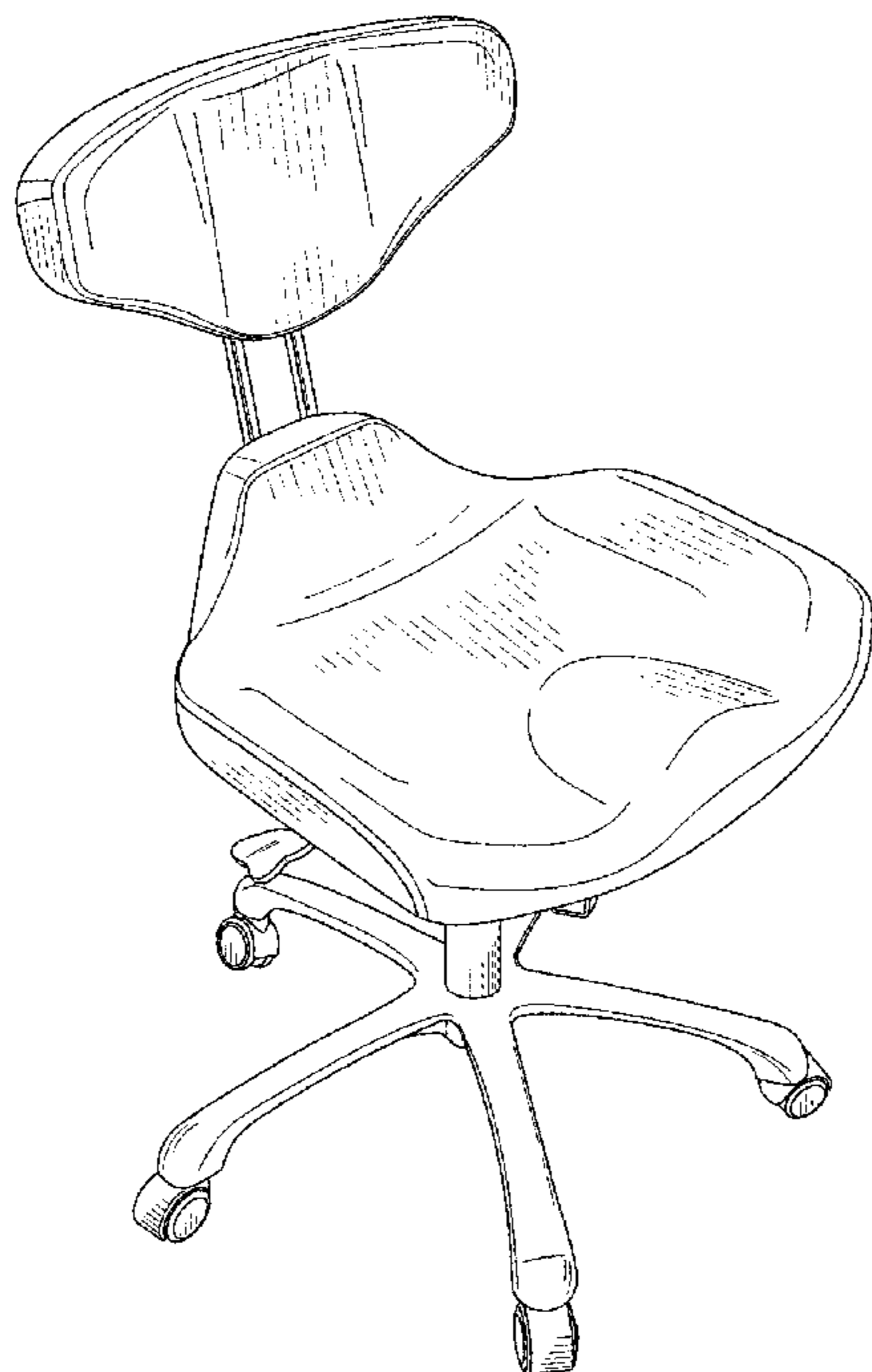
(57) **CLAIM**

We claim the ornamental design for a chair, as shown and described.

**DESCRIPTION**

FIG. 1 is a front perspective view of a chair, showing our new design;  
FIG. 2 is a front elevational view thereof;  
FIG. 3 is a rear elevational view thereof;  
FIG. 4 is a left-side elevational view thereof;  
FIG. 5 is a right-side elevational view thereof;  
FIG. 6 is a top plan view thereof;  
FIG. 7 is a bottom plan view thereof; and,  
FIG. 8 is a rear perspective view thereof.  
The broken lines in the drawings illustrate environmental matter that forms no part of the claimed design.

**1 Claim, 5 Drawing Sheets**



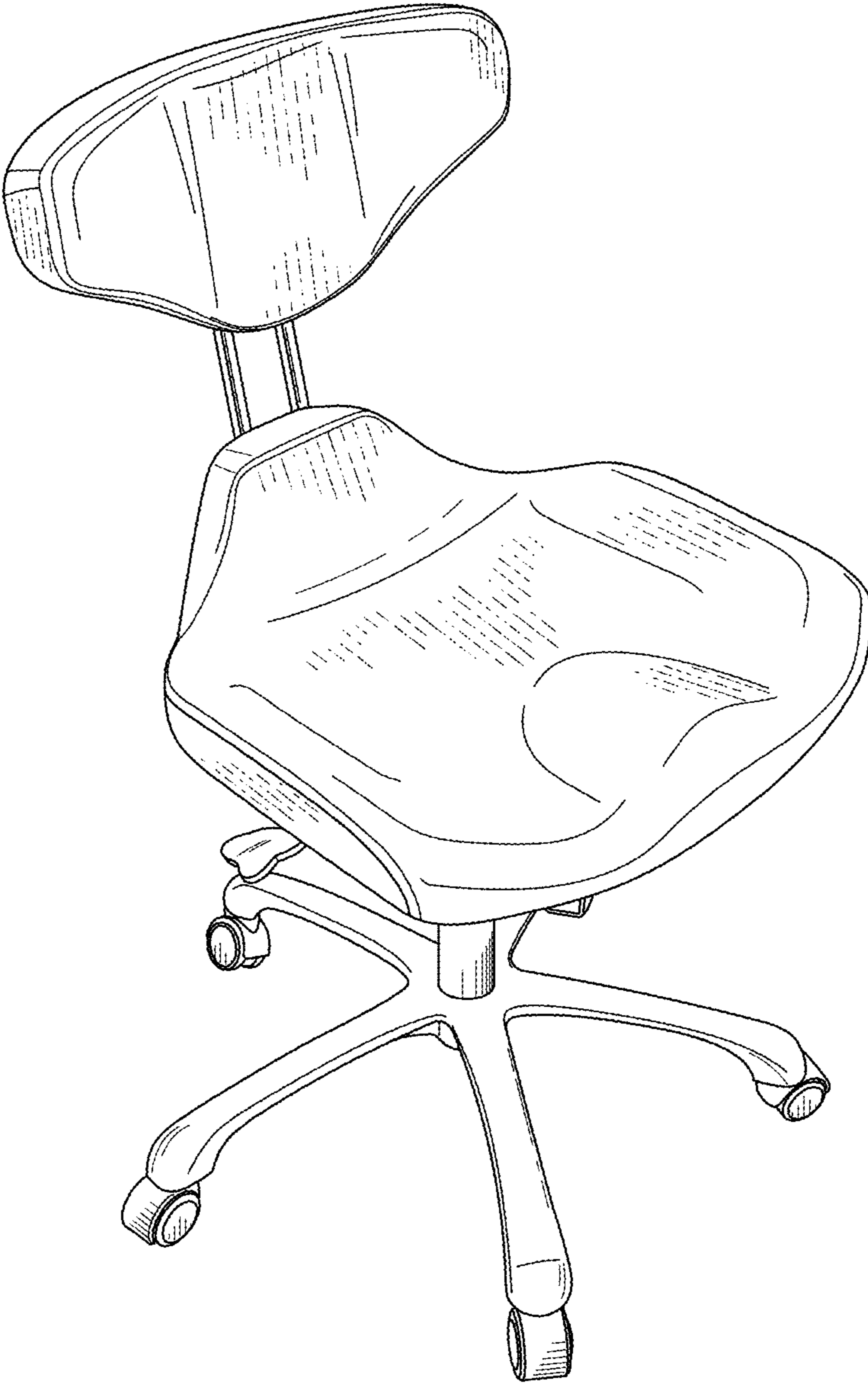


FIG. 1

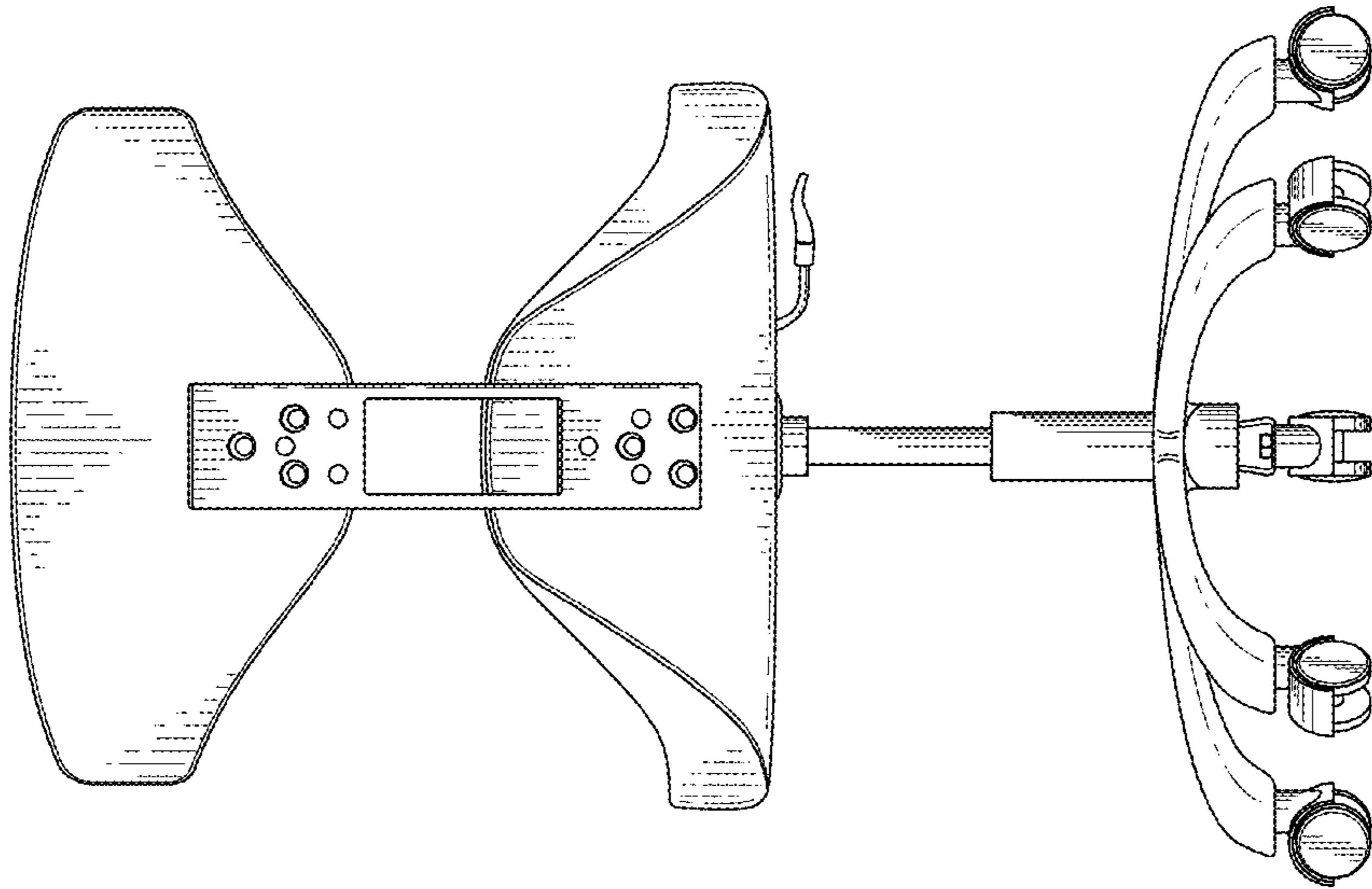


FIG. 3

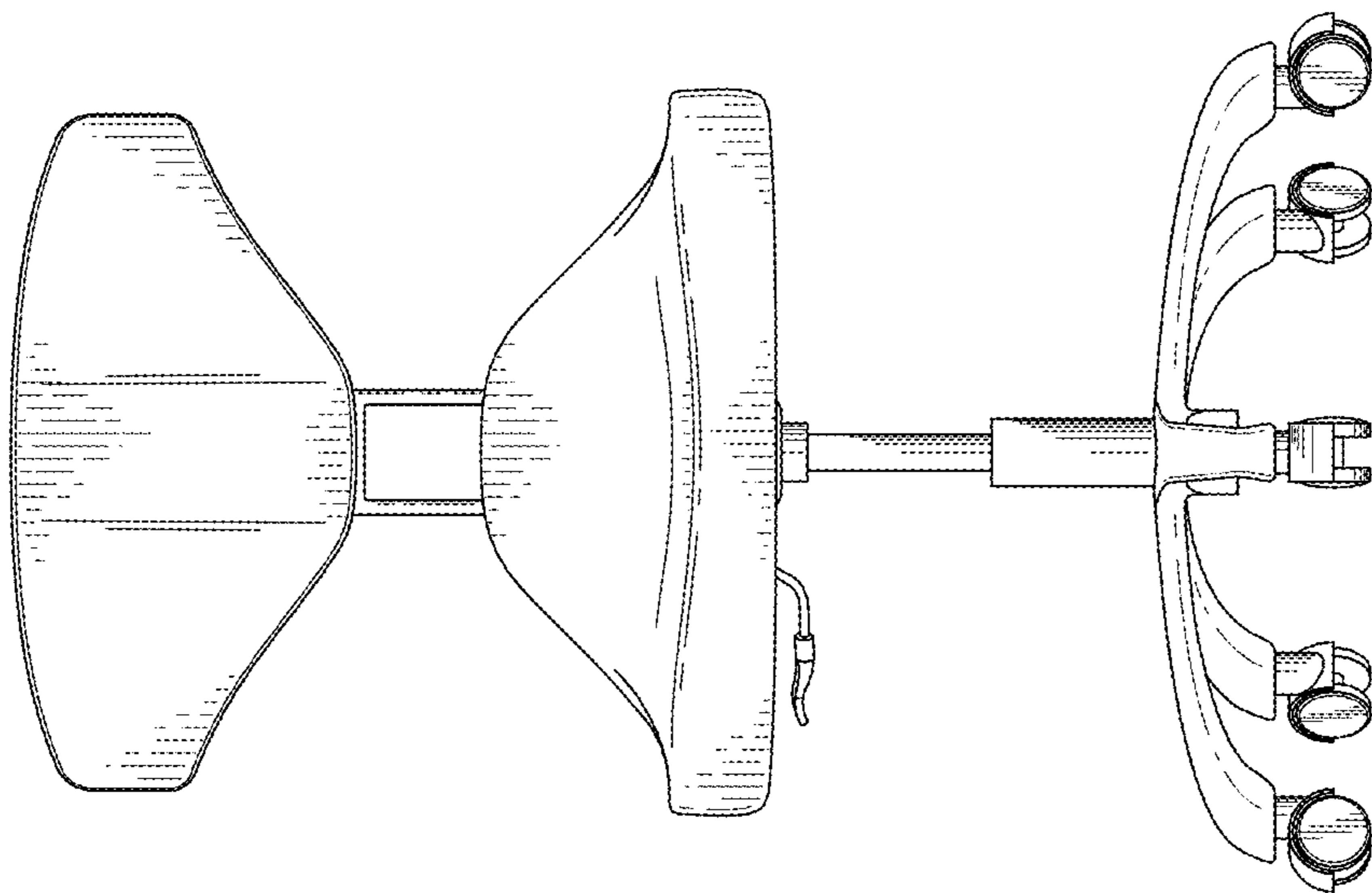


FIG. 2

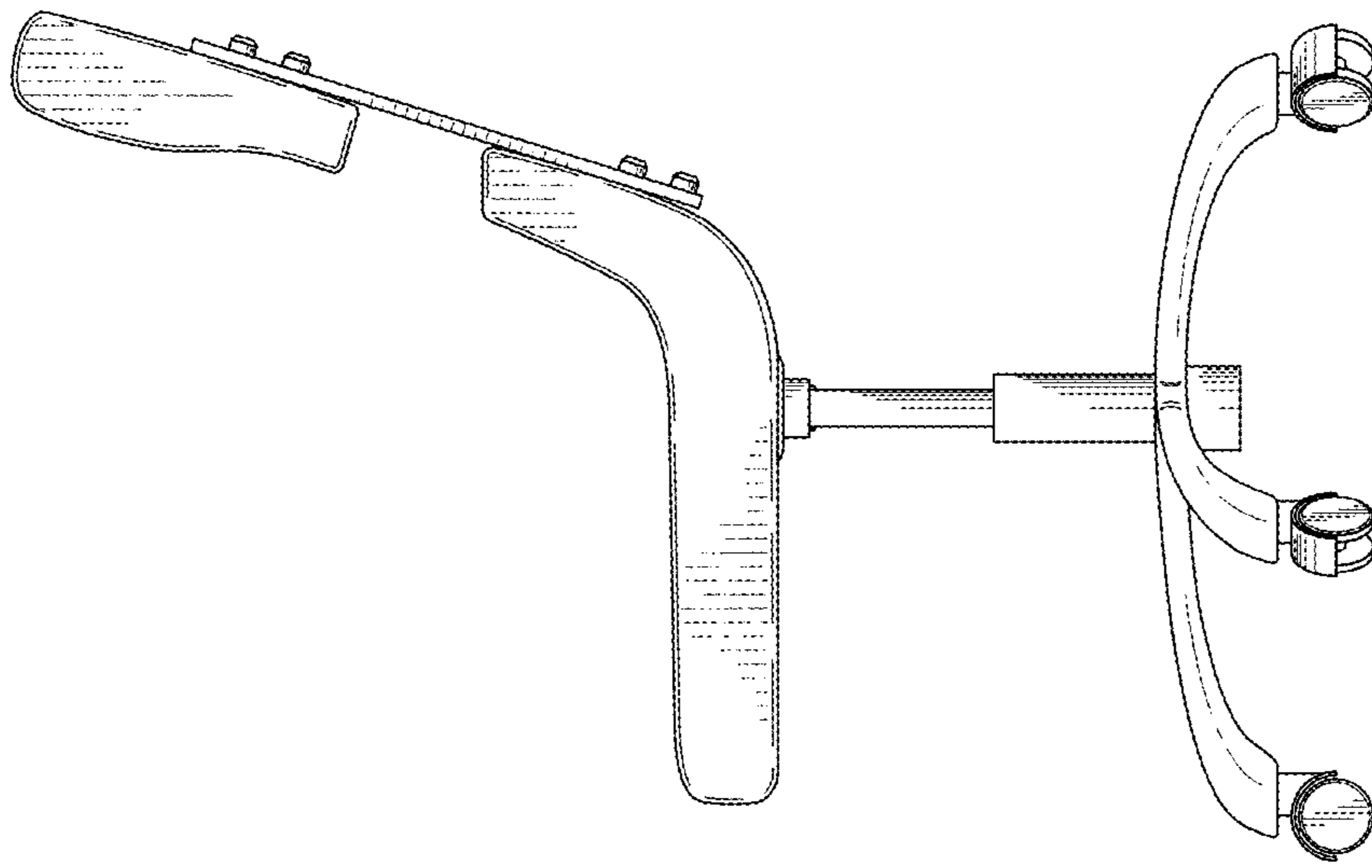


FIG. 5

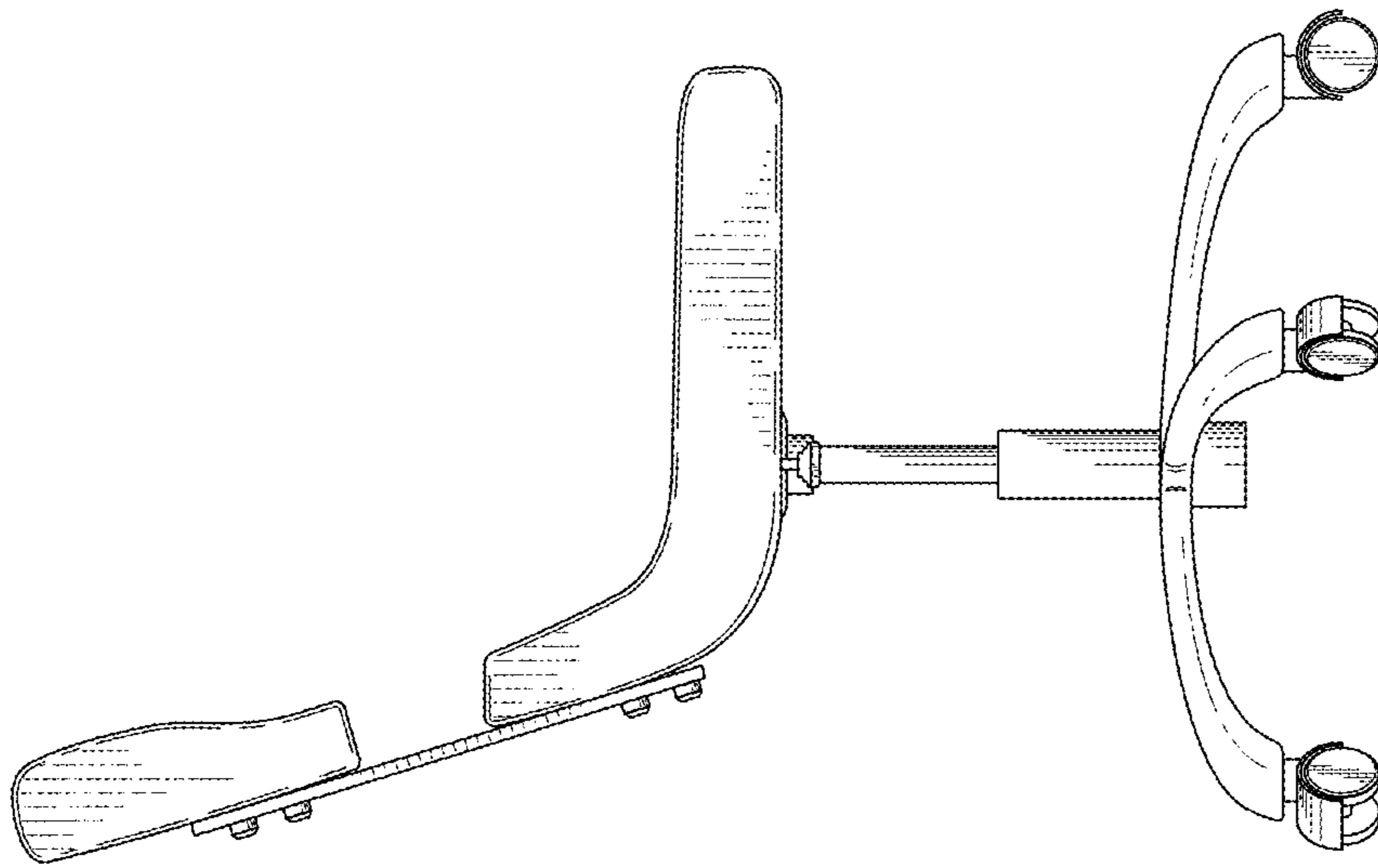


FIG. 4

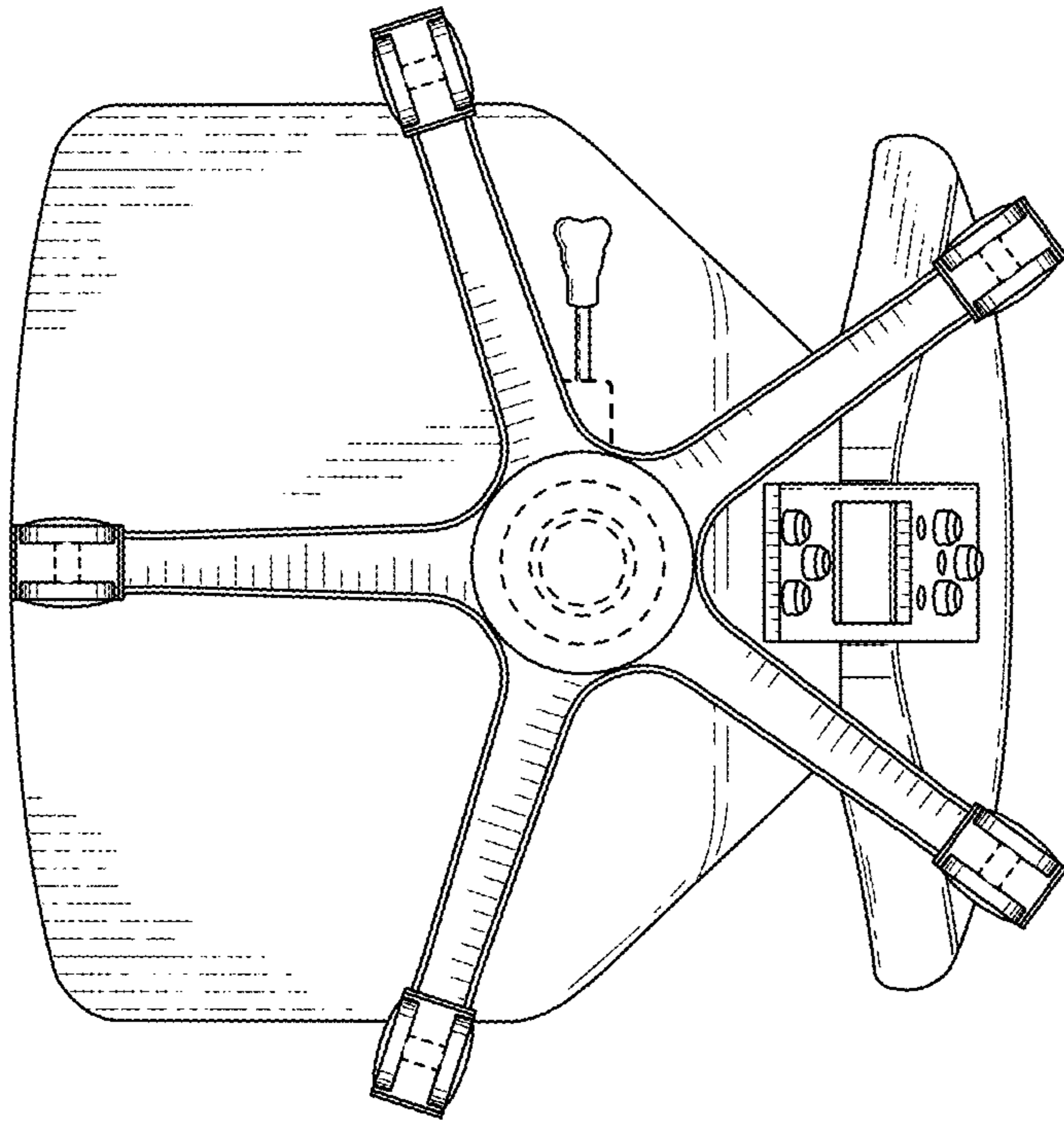


FIG. 7

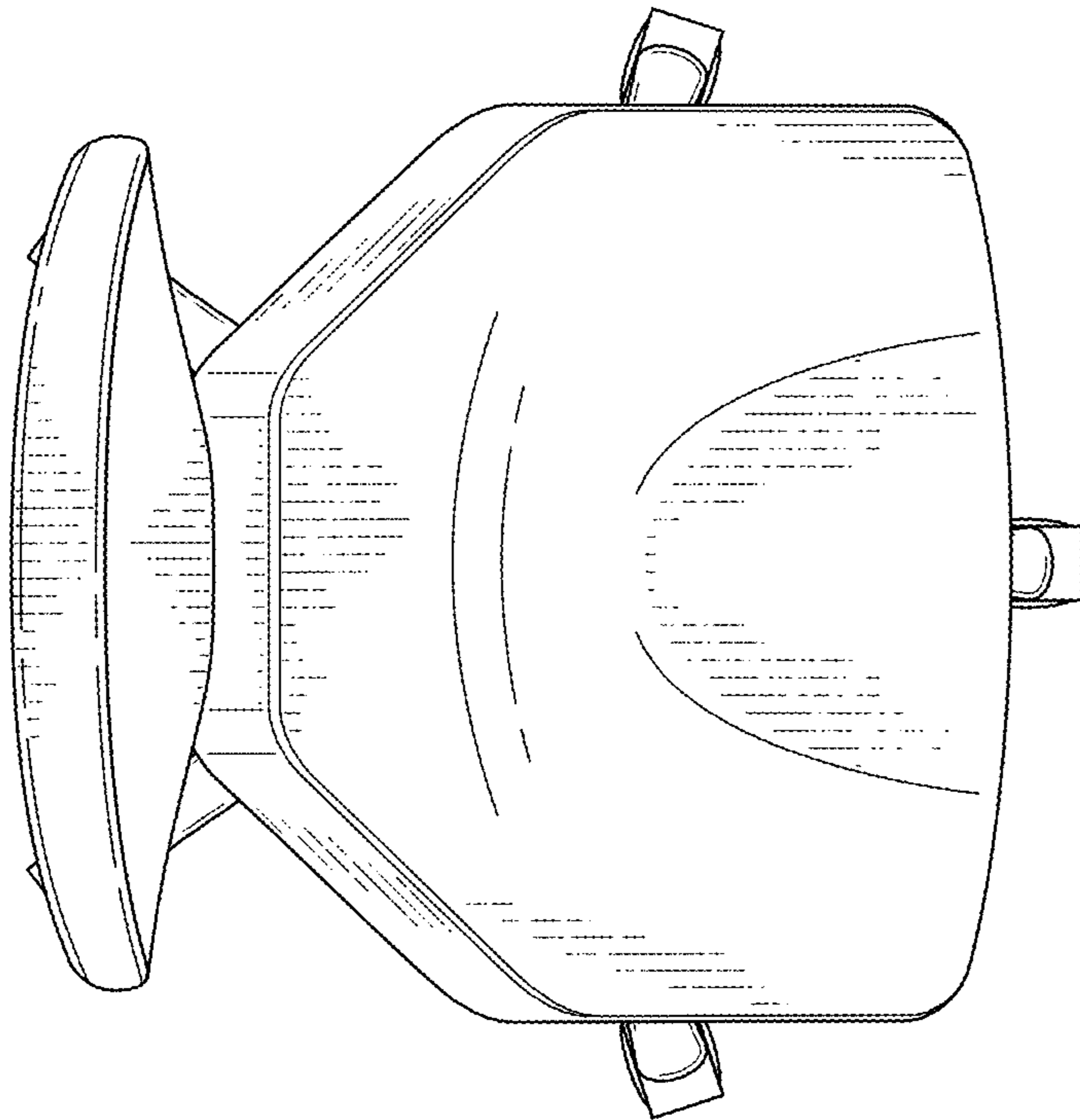


FIG. 6

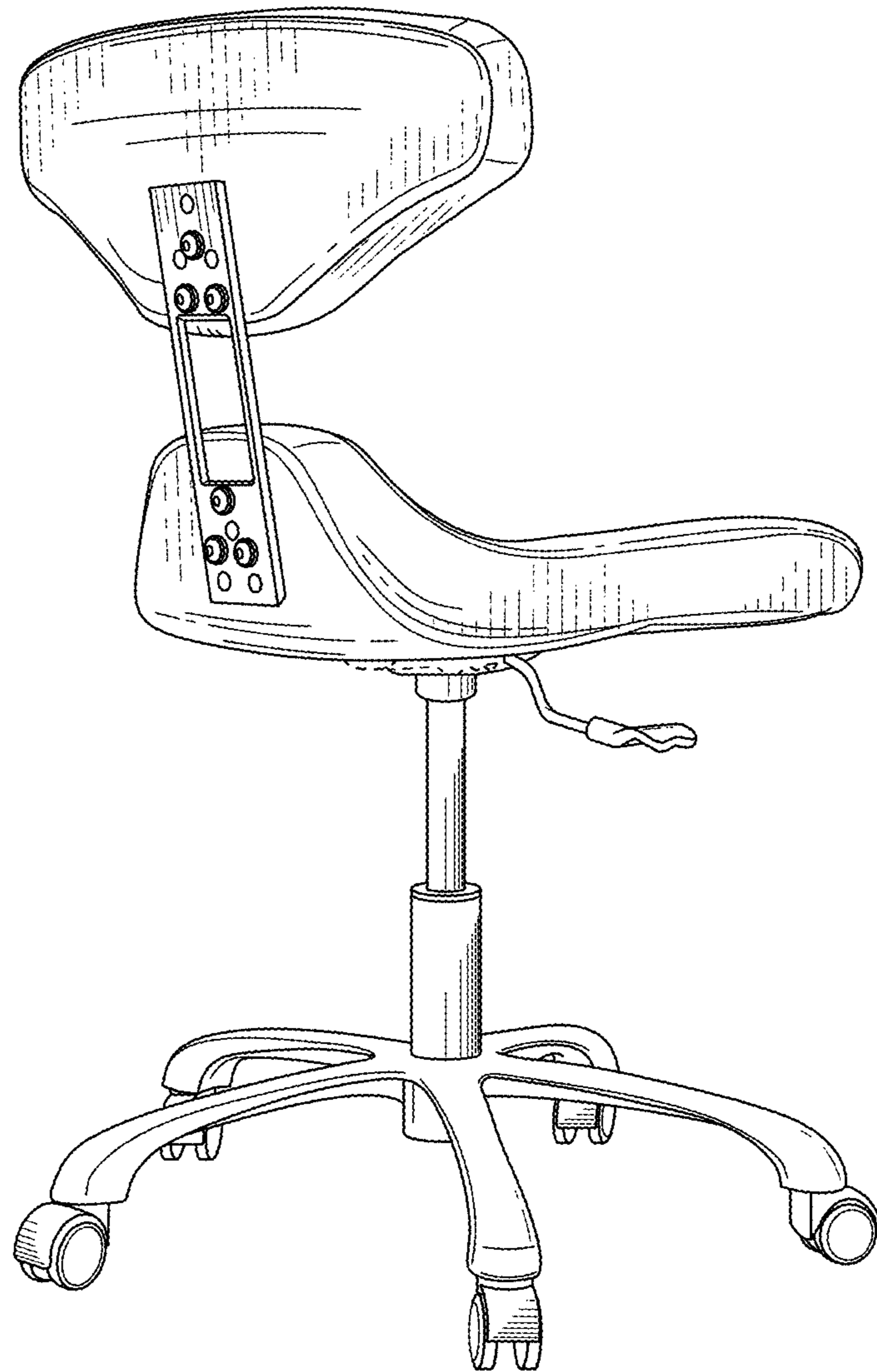


FIG. 8