



US00D770787S

(12) **United States Design Patent**  
**Kim et al.**

(10) **Patent No.:** **US D770,787 S**

(45) **Date of Patent:** **\*\* Nov. 8, 2016**

(54) **AIR CONDITIONER**  
(71) Applicant: **LG ELECTRONICS INC., Seoul (KR)**  
(72) Inventors: **Myungshik Kim, Seoul (KR); Inhyeuk Choi, Seoul (KR); Yong Kim, Seoul (KR); Yongduk Cha, Seoul (KR); Jinwon Kang, Seoul (KR)**

6,887,149 B2 \* 5/2005 Palmer ..... F24F 5/0035  
454/201  
D549,308 S \* 8/2007 Chiu ..... D23/333  
D565,712 S \* 4/2008 Nagahori ..... D23/351  
D593,663 S \* 6/2009 Chiu ..... D23/333  
D680,635 S \* 4/2013 Kashimoto ..... D23/351  
D699,332 S \* 2/2014 Chiu ..... D23/333  
D700,304 S \* 2/2014 Ikegaya ..... D23/351  
D700,307 S \* 2/2014 Seki ..... D23/351  
D739,927 S \* 9/2015 Presser ..... D23/332

(73) Assignee: **LG ELECTRONICS INC., Seoul (KR)**

(\*\*) Term: **15 Years**

(21) Appl. No.: **29/540,404**

(22) Filed: **Sep. 24, 2015**

(30) **Foreign Application Priority Data**

Mar. 27, 2015 (KR) ..... 30-2015-0015841

(51) **LOC (10) Cl.** ..... **06-01**

(52) **U.S. Cl.**  
USPC ..... **D6/351**

(58) **Field of Classification Search**  
USPC ..... D23/324-327, 332-334, 342-344,  
D23/351-354, 370, 385, 388; 165/121;  
454/201, 284; 62/259.1, 298, 407  
CPC ..... F24F 13/08; F24F 13/15; F24F 13/1413;  
F24F 1/00; F24F 1/27; F24F 2001/0037;  
F24F 2001/004; F24F 2001/0048  
See application file for complete search history.

(56) **References Cited**

**U.S. PATENT DOCUMENTS**

D168,373 S \* 12/1952 Robra ..... D23/342  
D323,209 S \* 1/1992 Fukumoto ..... D23/351  
D398,974 S \* 9/1998 Aihara ..... D23/351

**OTHER PUBLICATIONS**

AC Sales Direct. [online]. Retrieved on Apr. 26, 2016 from URL:  
<http://www.acsalesdirect.co.uk/Daikin%20FLXS%20Flexi%20Wall%20-%20Ceiling.html>.\*

\* cited by examiner

*Primary Examiner* — Manpreet Matharu

*Assistant Examiner* — Keith Wilson

(74) *Attorney, Agent, or Firm* — Ked & Associates, LLP

(57) **CLAIM**

We claim the ornamental design for an air conditioner, as shown and described.

**DESCRIPTION**

FIG. 1 is a perspective view of an air conditioner showing our new design;

FIG. 2 is a front elevation view thereof;

FIG. 3 is a rear elevation view thereof;

FIG. 4 is a left-side elevation view thereof;

FIG. 5 is a right-side elevation view thereof;

FIG. 6 is a top plan view thereof; and,

FIG. 7 is a bottom plan view thereof.

The broken lines in the drawing figures are included for the purpose of illustrating environment and form no part of the claimed design.

**1 Claim, 5 Drawing Sheets**

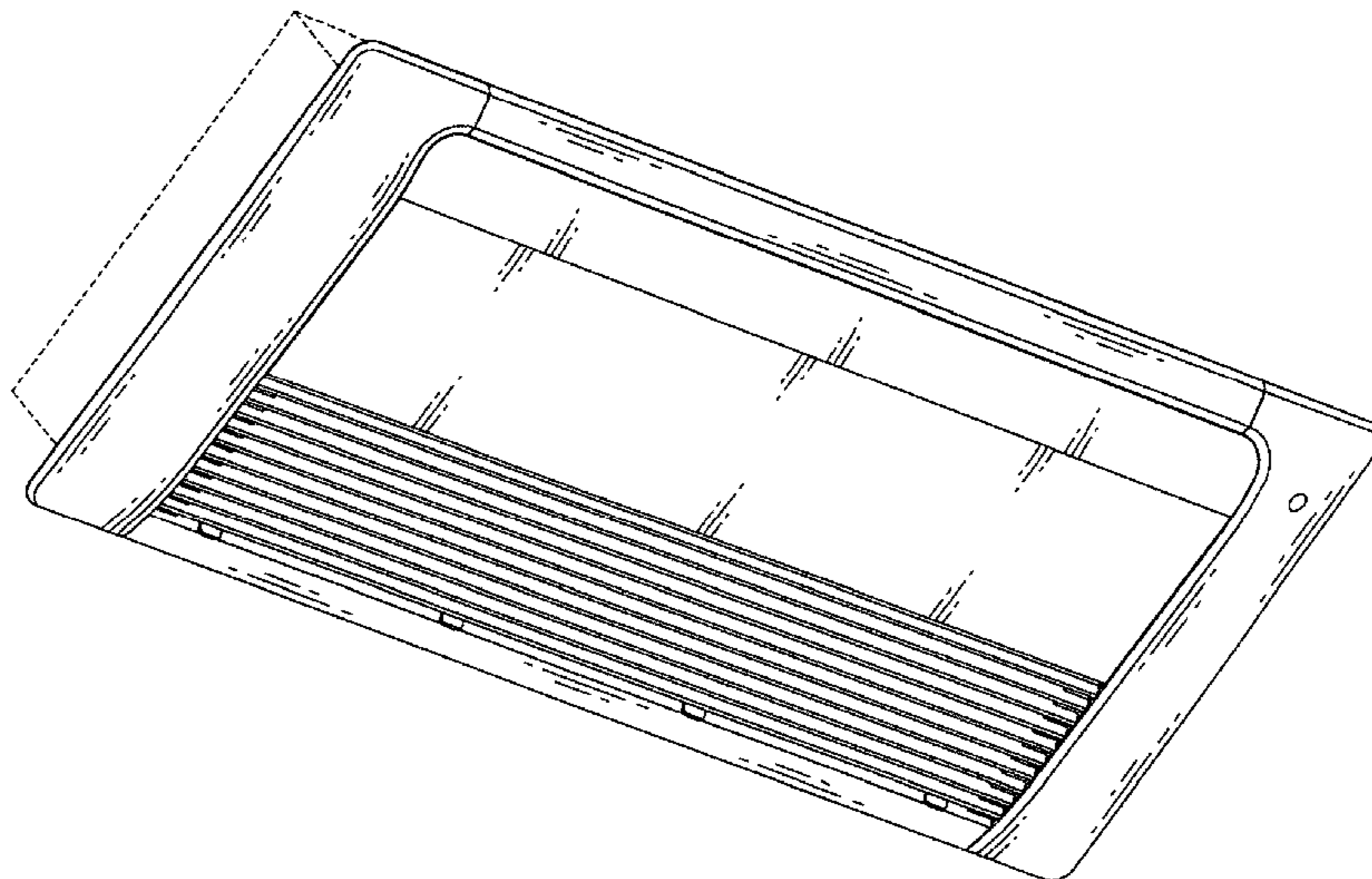


FIG. 1

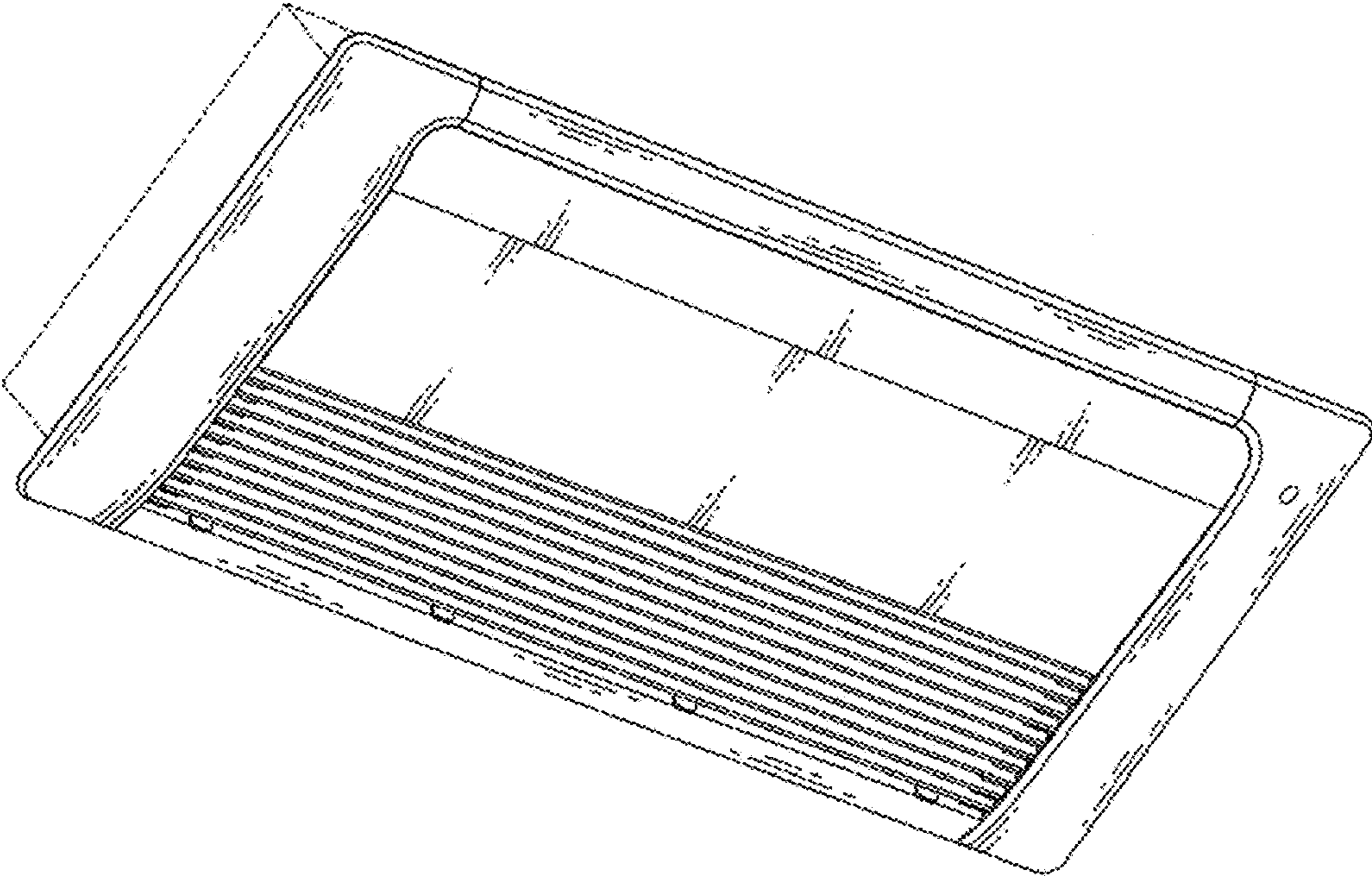


FIG.2

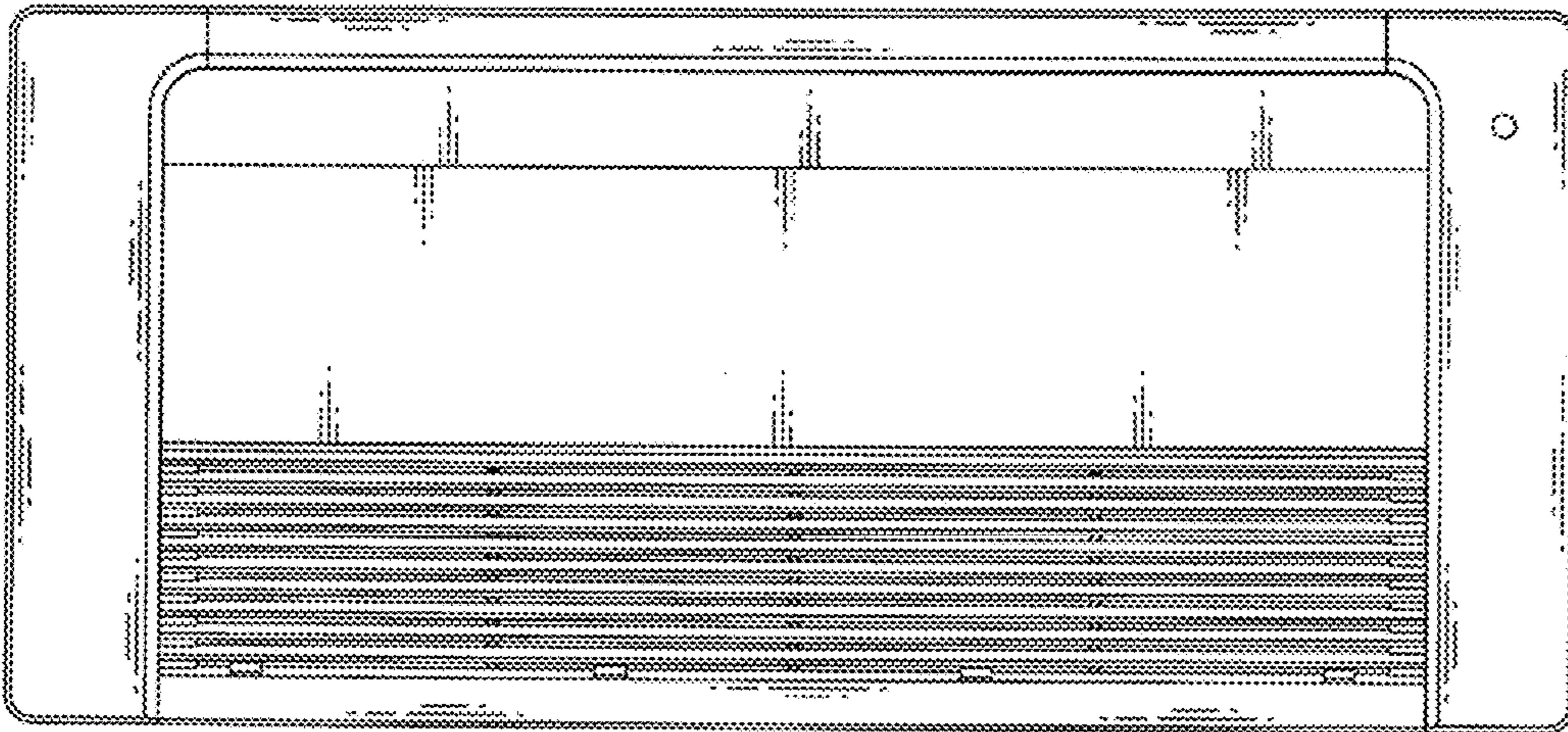


FIG.3

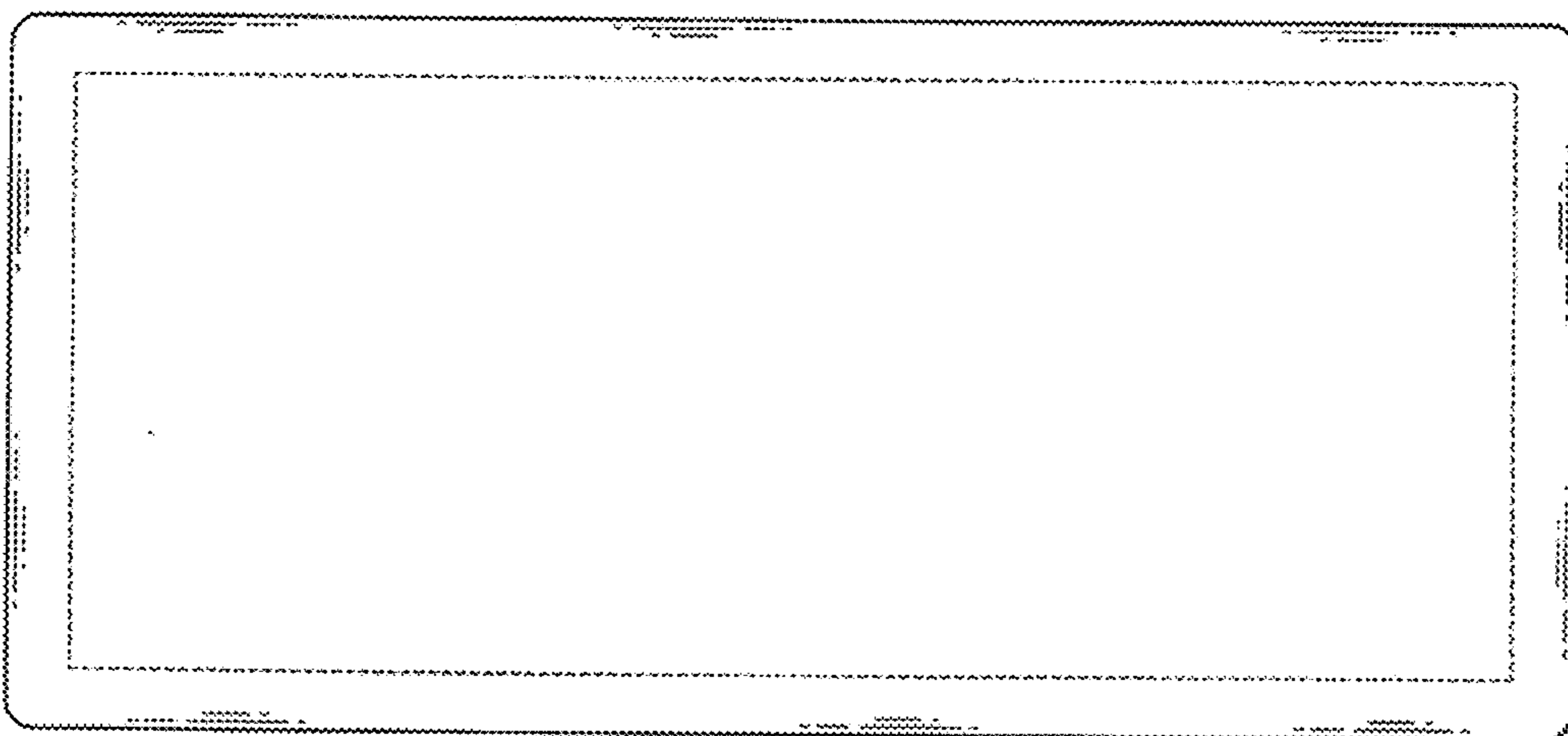


FIG. 4

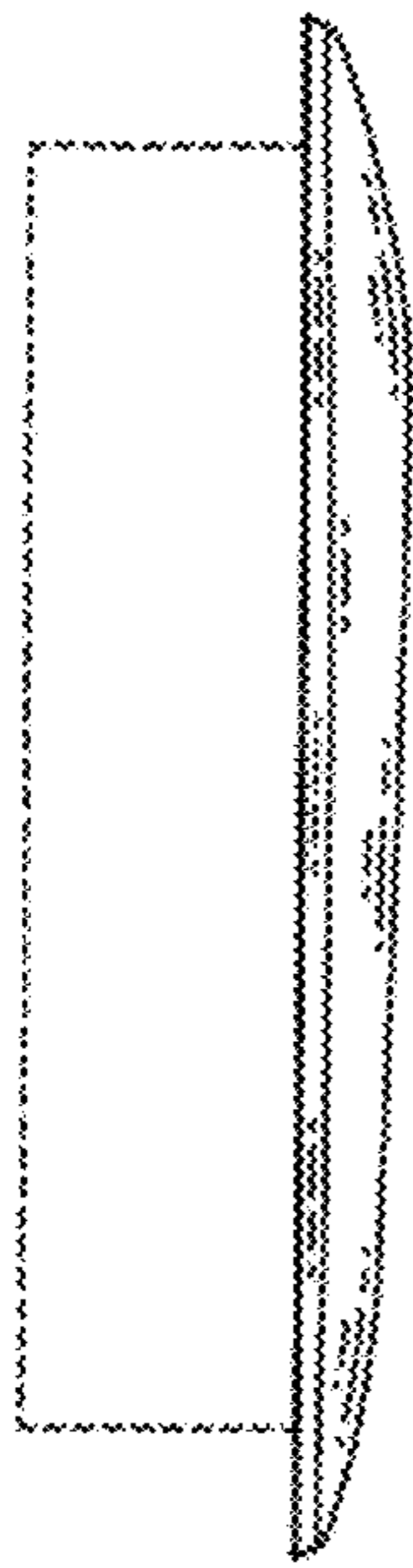


FIG. 5

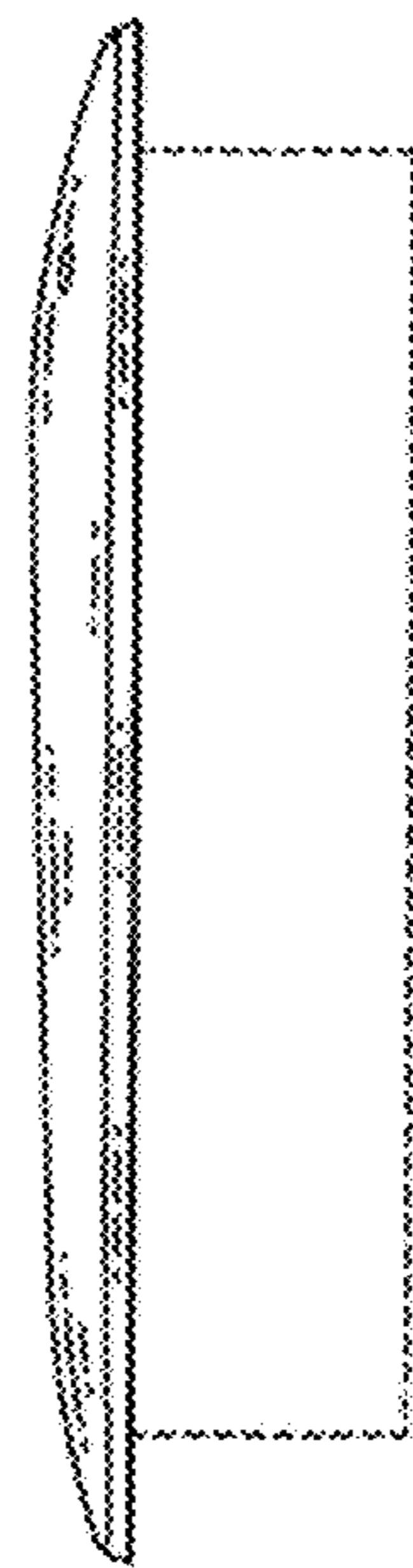


FIG. 6

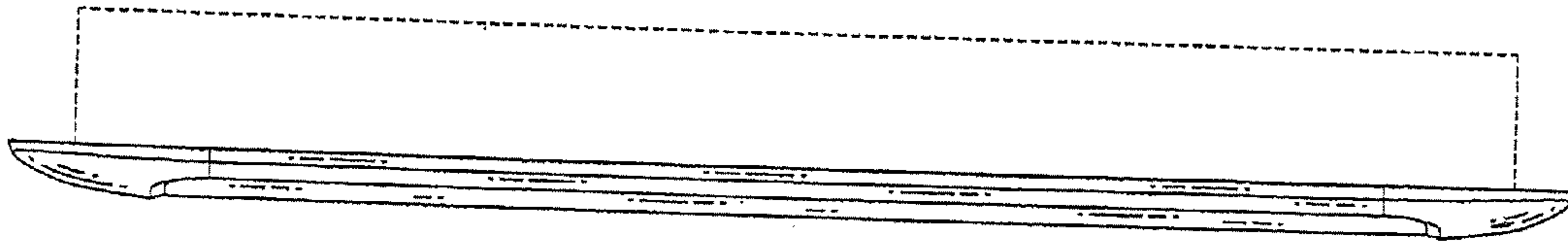


FIG. 7

