



US00D770777S

(12) **United States Design Patent**
Weeks

(10) **Patent No.:** **US D770,777 S**

(45) **Date of Patent:** **** Nov. 8, 2016**

(54) **BRUSH**

(71) Applicant: **ABC Sales**, Anderson, CA (US)

(72) Inventor: **Nick Weeks**, Redding, CA (US)

(**) Term: **15 Years**

(21) Appl. No.: **29/530,581**

(22) Filed: **Jun. 17, 2015**

(51) **LOC (10) Cl.** **04-01**

(52) **U.S. Cl.**

USPC **D4/115; D4/127**

(58) **Field of Classification Search**

USPC D4/114-116, 127, 128, 130, 132, 135;
D32/40; 15/146, 159.1, 160, 171;
239/754; 401/268, 270, 271, 284, 286,
401/289

CPC ... A46B 11/06; A46B 11/063; A46B 11/066;
A46B 2200/30; A46B 2200/302; A47L
11/408; A47L 11/4088; A47L 13/26; B08B
1/00; B08B 1/002; B08B 3/02; B08B 3/024;
B08B 3/026; E01H 1/02; E01H 1/101

See application file for complete search history.

(56) **References Cited**

U.S. PATENT DOCUMENTS

D401,071 S * 11/1998 Laster D23/239
D521,738 S * 5/2006 Huller D4/124

D589,257 S * 3/2009 Van Wambeke D4/102
D668,052 S * 10/2012 Maxwell D4/114
D699,037 S * 2/2014 Morrison D4/127

* cited by examiner

Primary Examiner — Keli L Hill

(74) *Attorney, Agent, or Firm* — Baumgartner Patent
Law; Marc Baumgartner

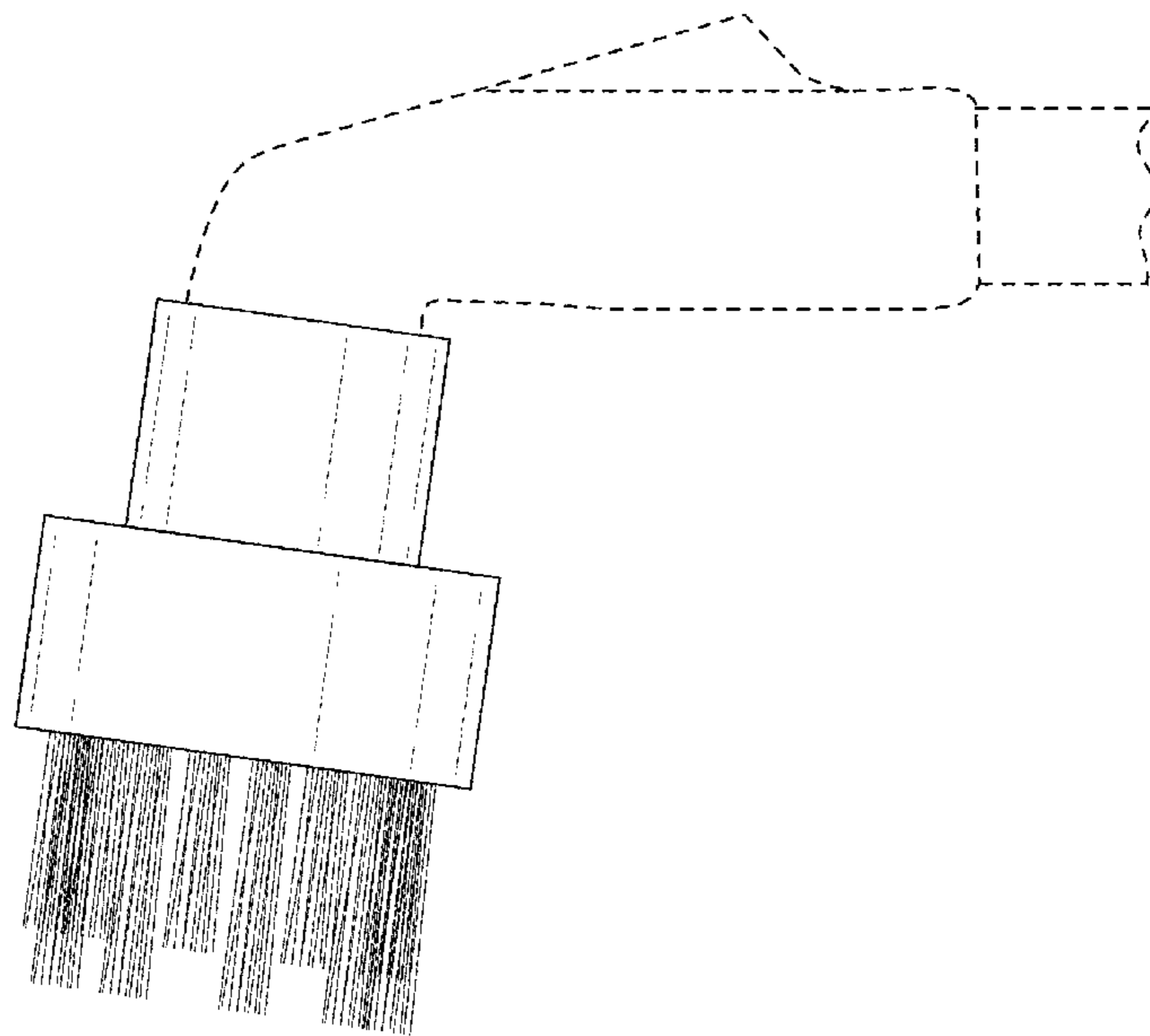
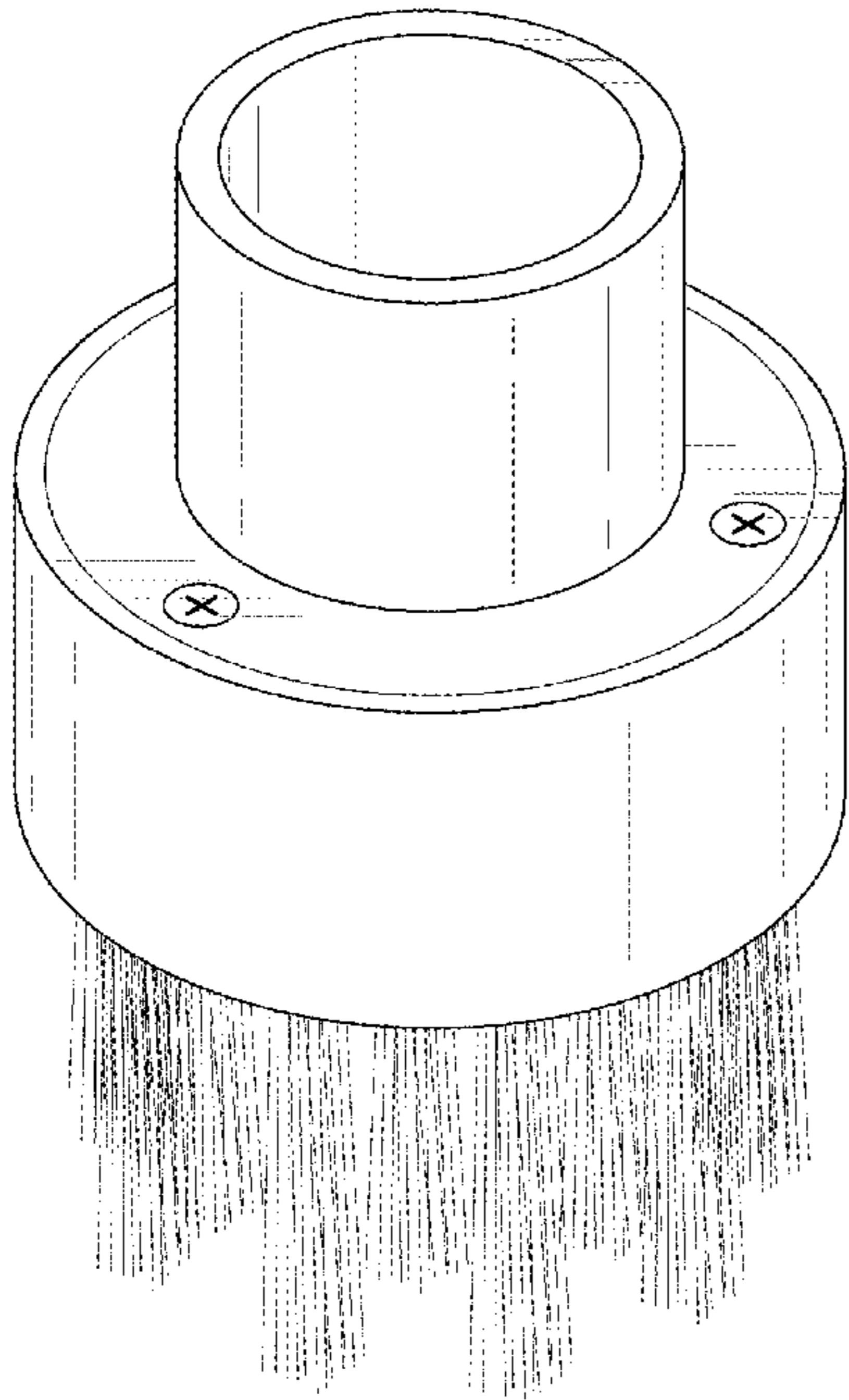
(57) **CLAIM**

The ornamental design for a brush, as shown and described.

DESCRIPTION

FIG. 1 is a front perspective view of the brush.
FIG. 2 is a top view of the brush.
FIG. 3 is a bottom view of the brush.
FIG. 4 is a front view of the brush.
FIG. 5 is a rear view of the brush.
FIG. 6 is a left side view of the brush.
FIG. 7 is a right side view of the brush; and,
FIG. 8 is a right side perspective view of the brush.
The broken lines are included for the purpose of showing
environment and form no part of the claimed design.

1 Claim, 5 Drawing Sheets



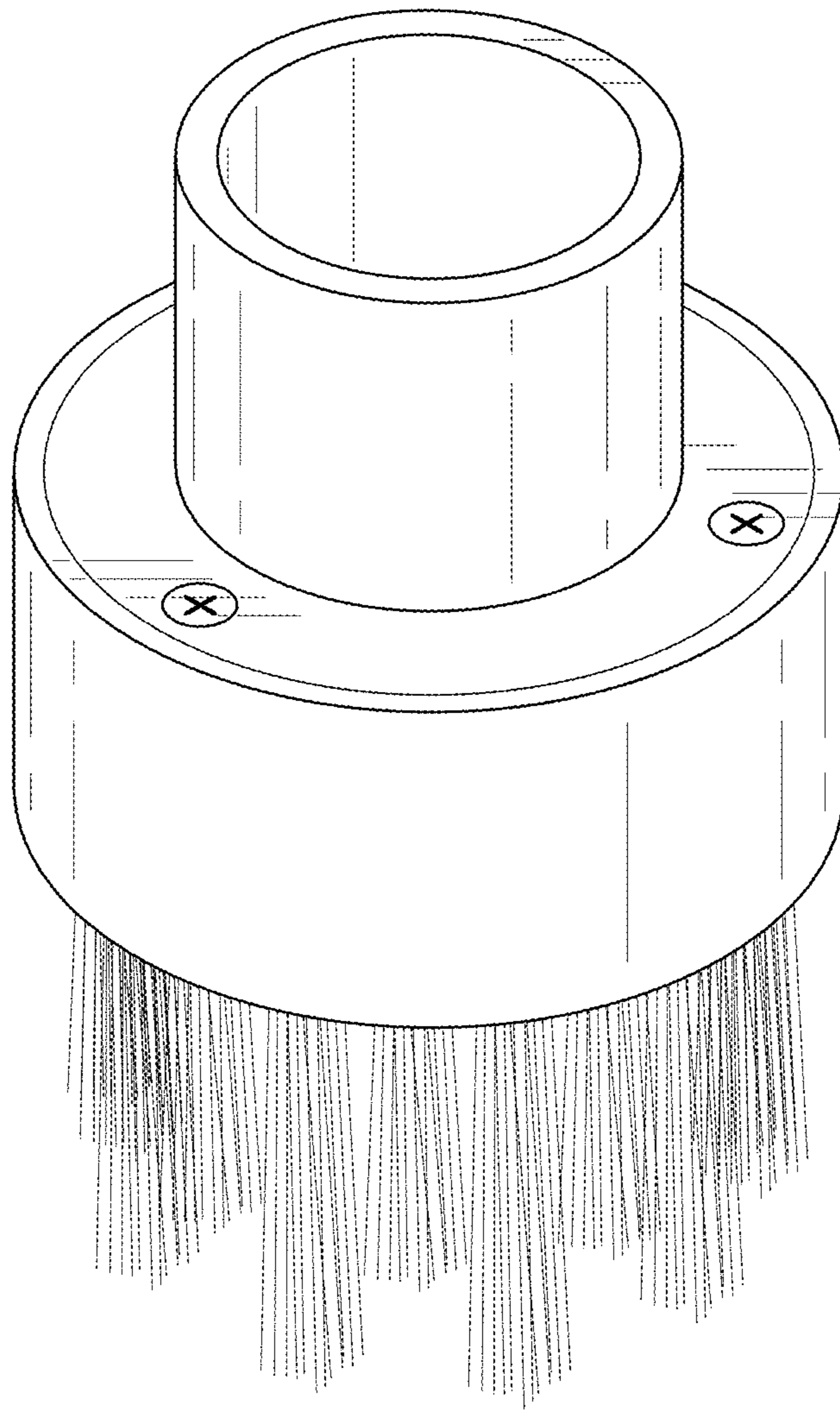


FIG. 1

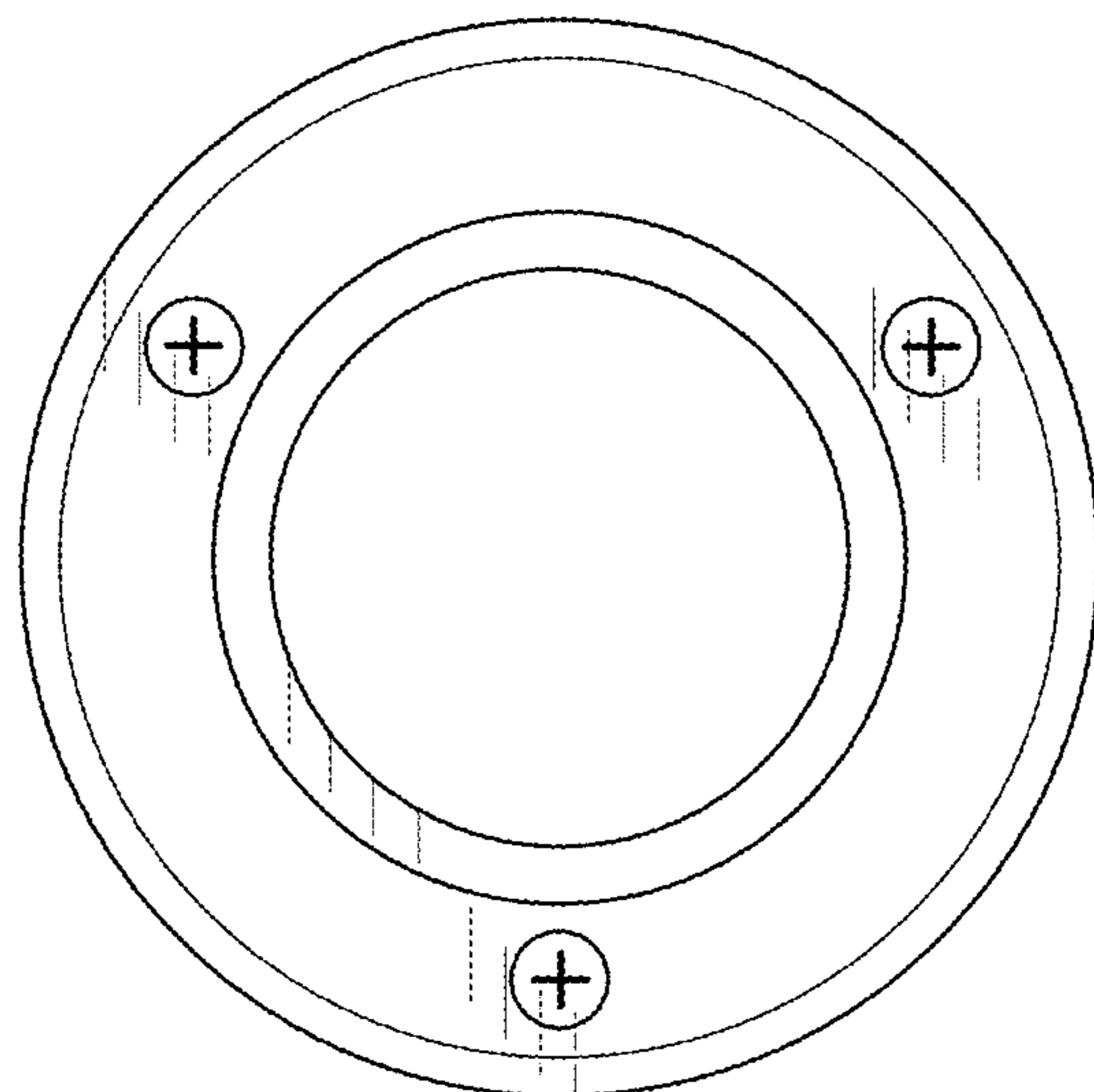


FIG. 2

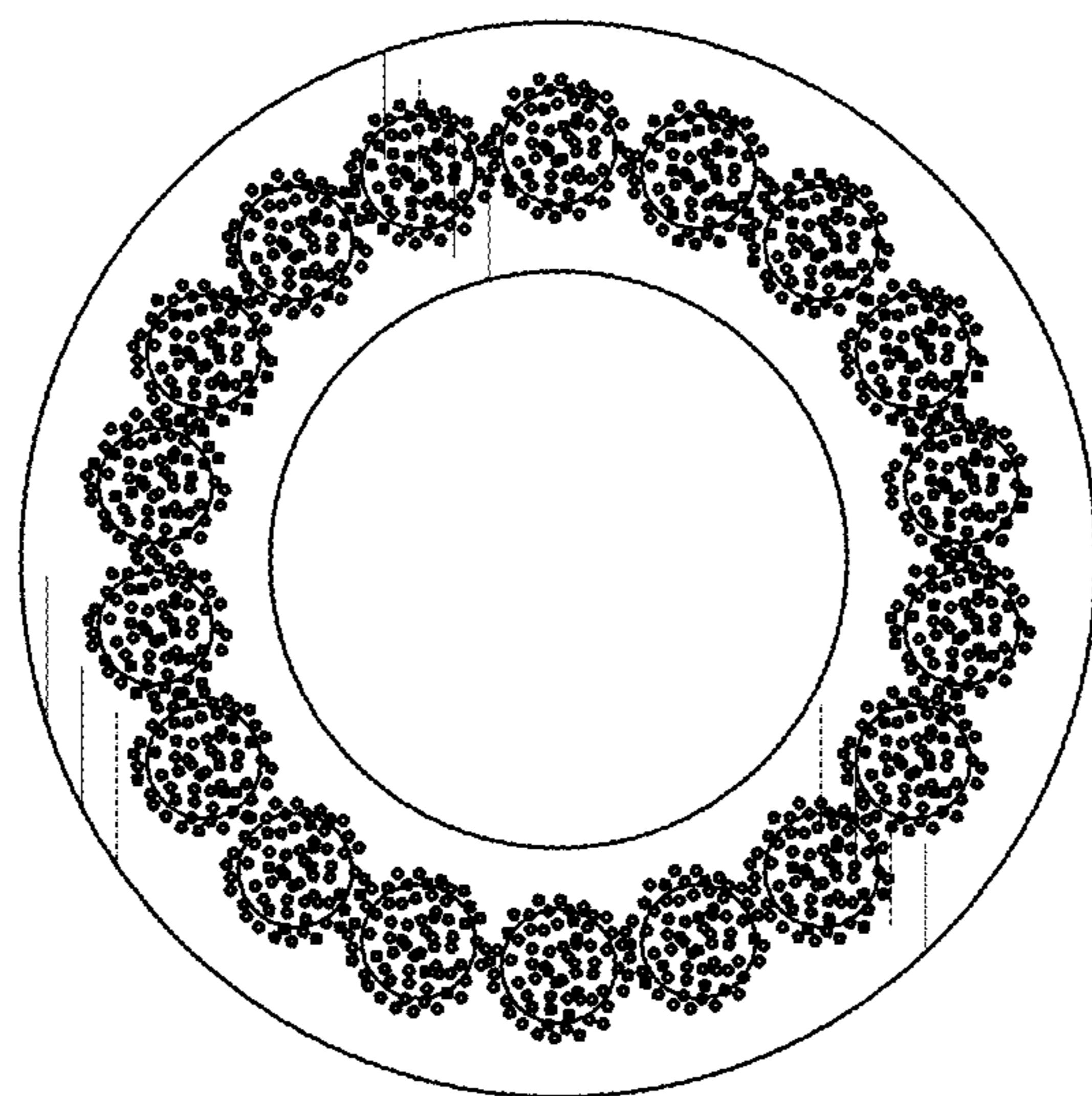


FIG. 3

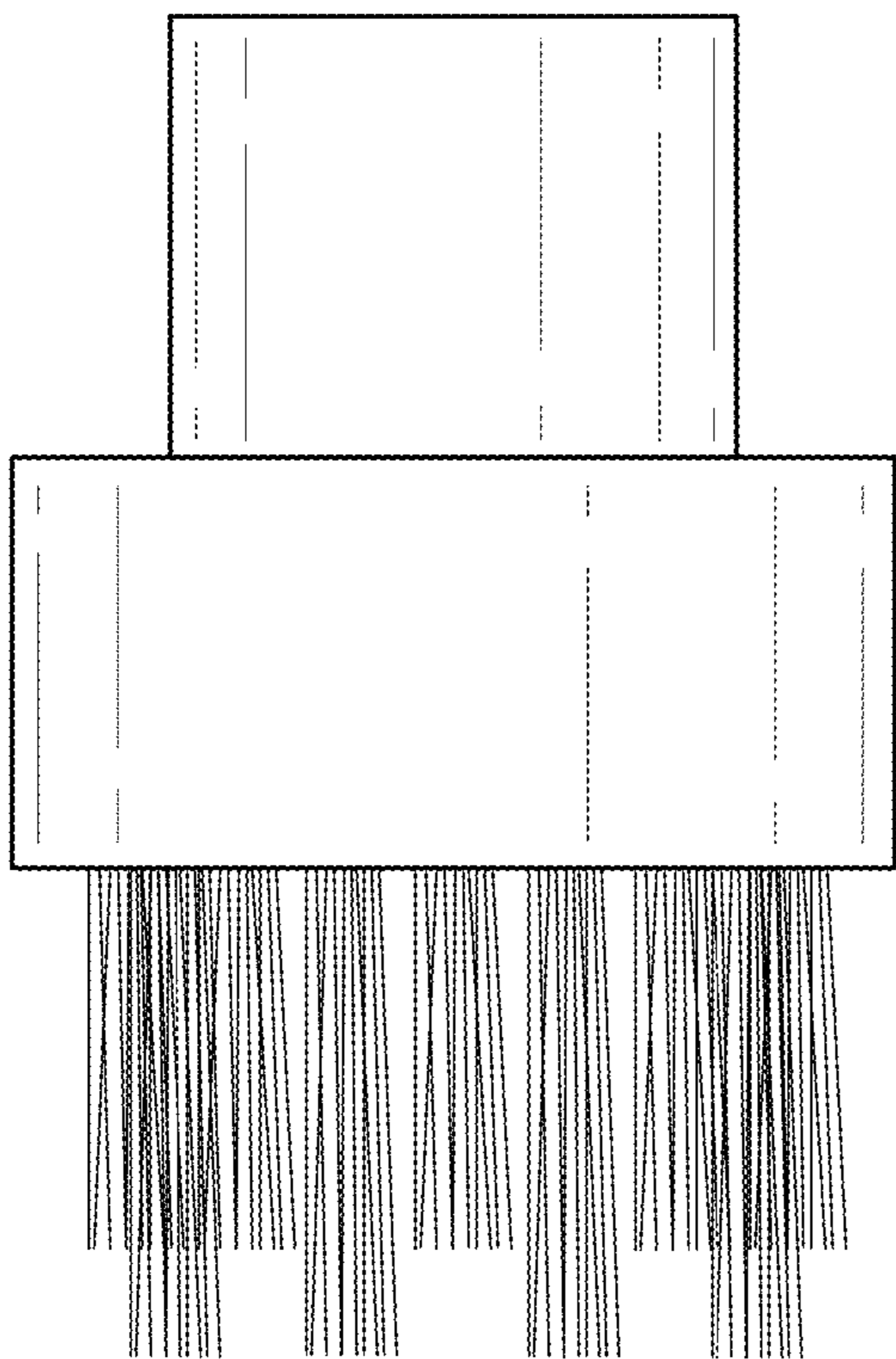


FIG. 4

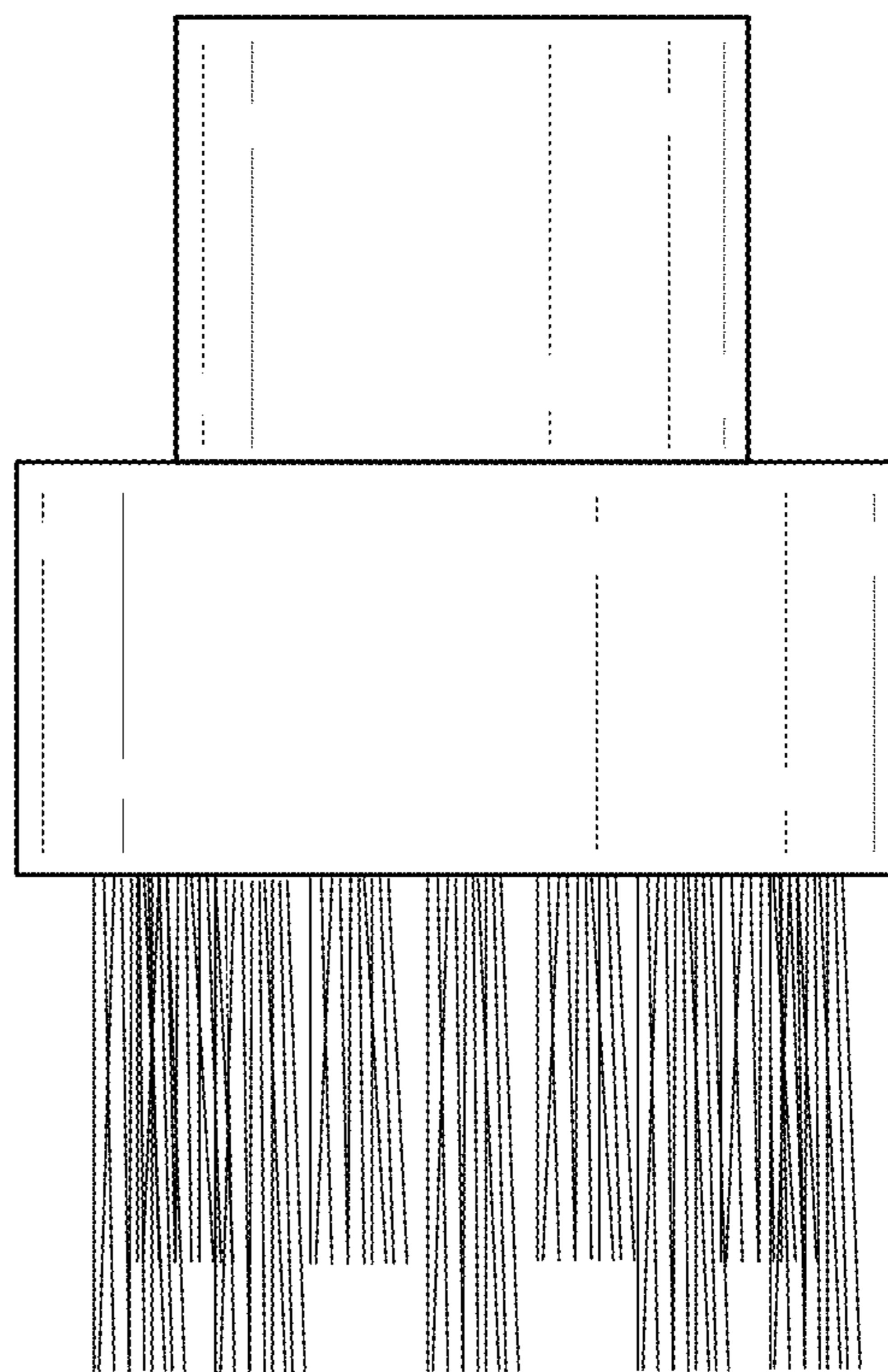


FIG. 5

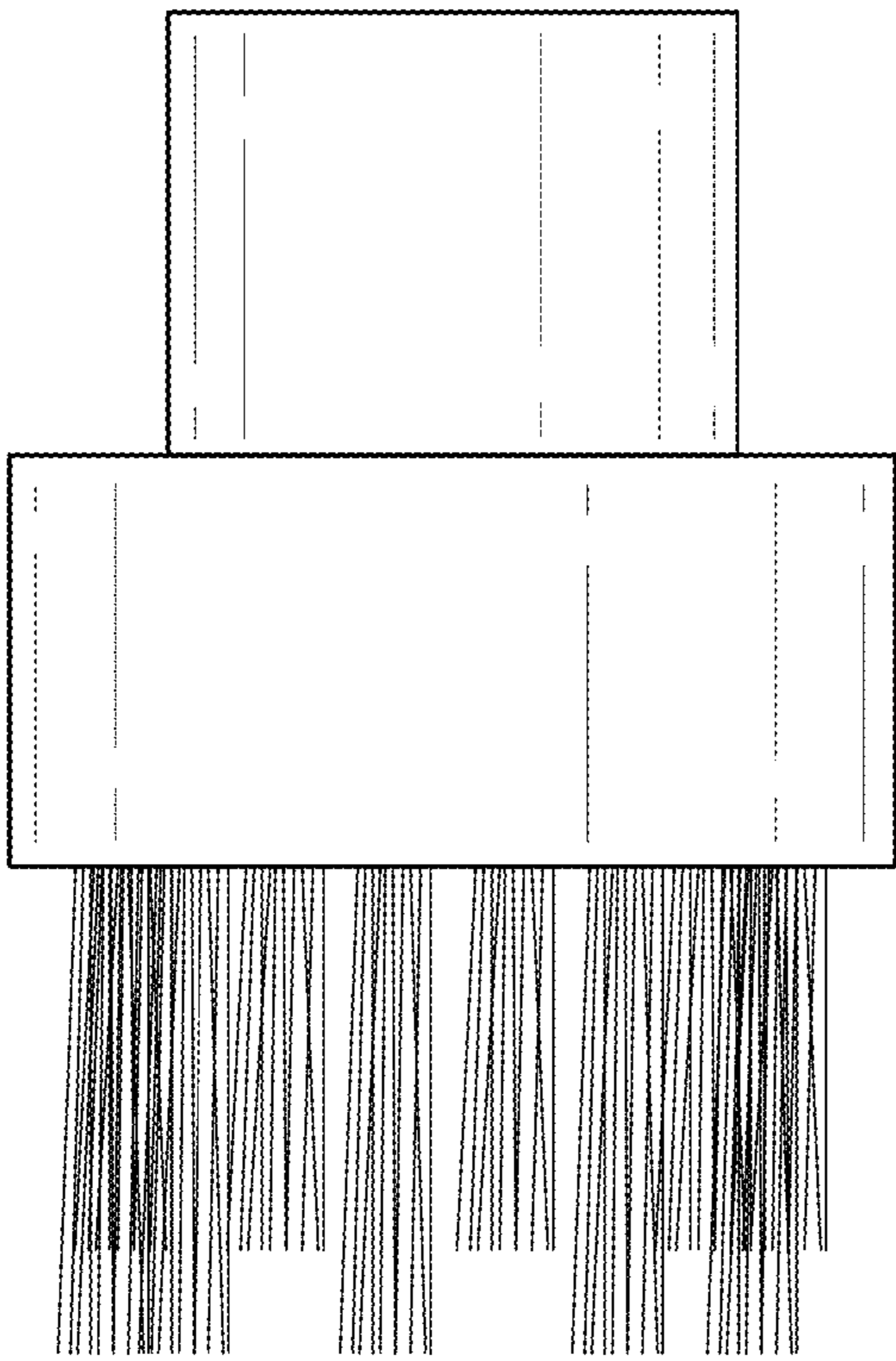


FIG. 6

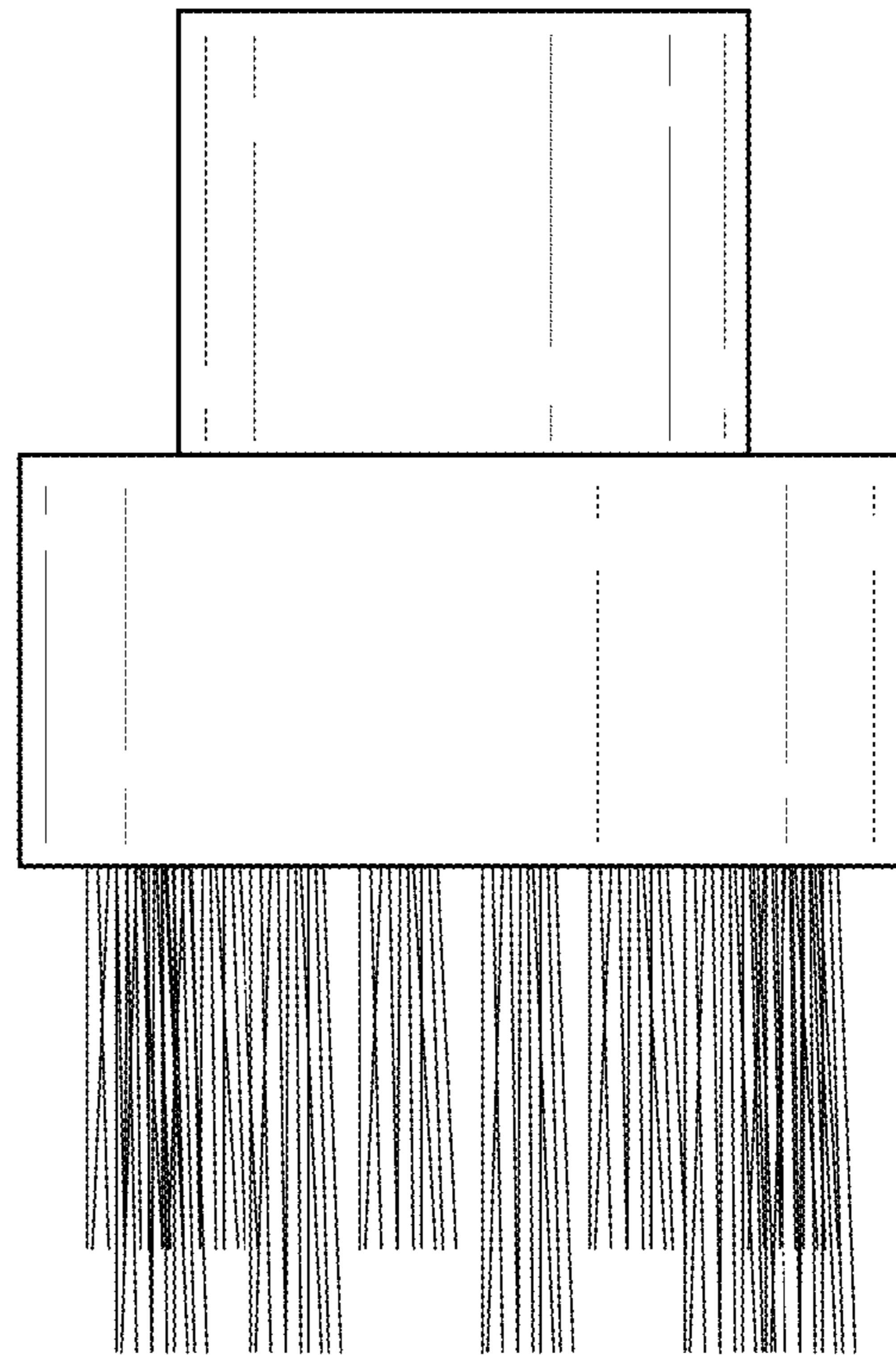


FIG. 7

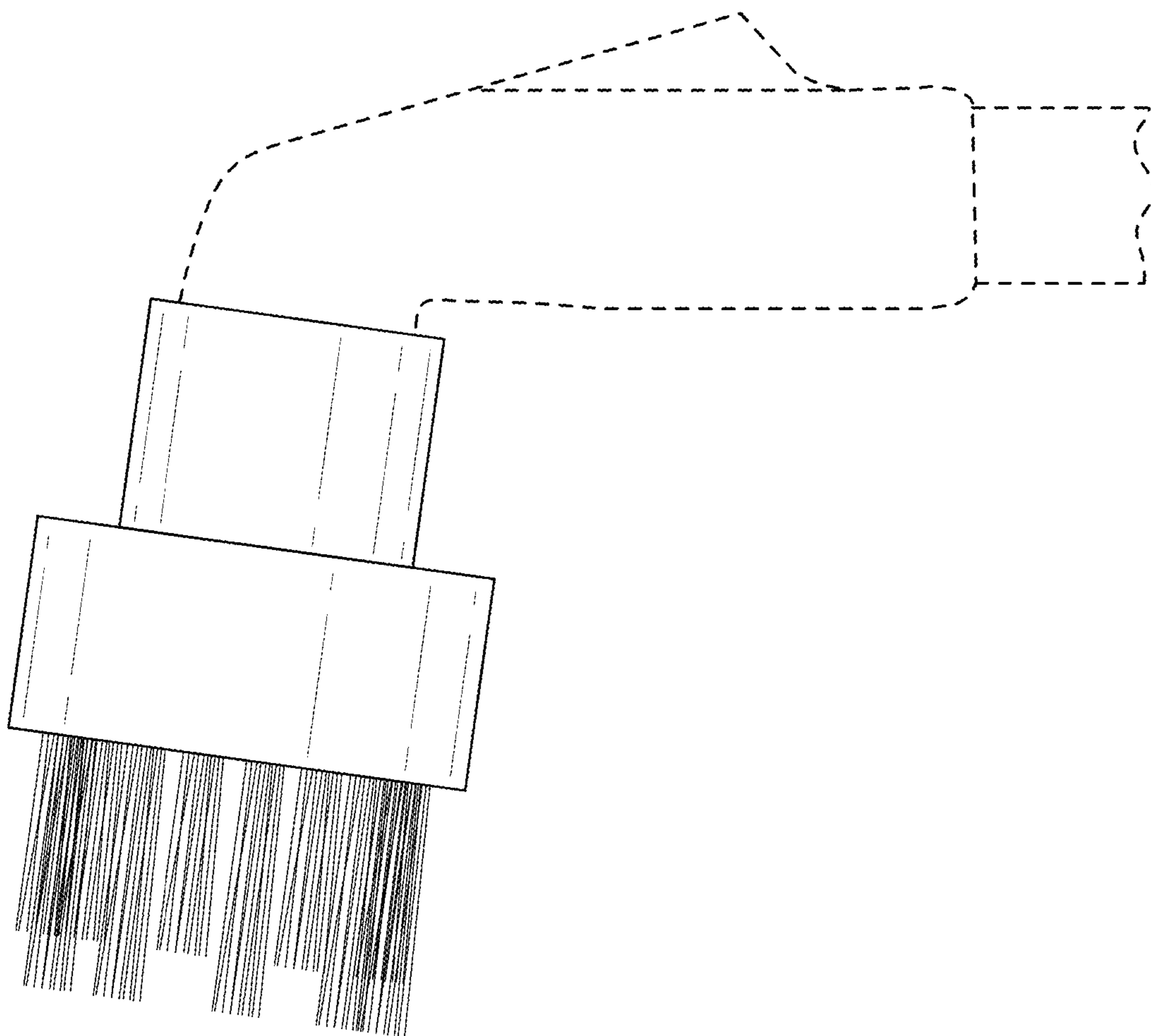


FIG. 8