



US00D770774S

(12) **United States Design Patent** (10) **Patent No.:** **US D770,774 S**
Potters (45) **Date of Patent:** **** Nov. 8, 2016**

(54) **POUCH WITH APPLIED TAPE**
(71) Applicant: **Avery Dennison Corporation**,
Glendale, CA (US)
(72) Inventor: **Pieter Potters**, Turnhout (BE)
(73) Assignee: **Avery Dennison Corporation**,
Glendale, CA (US)
(**) Term: **14 Years**
(21) Appl. No.: **29/523,390**

D594,663 S * 6/2009 Vandenberg D5/63
D605,299 S * 12/2009 Iwahashi D24/189
7,790,264 B2 9/2010 Lester, Jr. et al.
7,981,491 B2 * 7/2011 Kobayashi B65D 33/20
428/32.34
7,981,822 B2 7/2011 Lester, Jr. et al.
8,052,666 B2 11/2011 Sawyer et al.
8,323,435 B2 12/2012 Durrance et al.
D716,048 S * 10/2014 Bradfield D3/303
D731,493 S * 6/2015 Mills D14/440
2003/0232170 A1 12/2003 Gillette et al.
2004/0072491 A1 4/2004 Gillette et al.
2006/0080810 A1 4/2006 Horn et al.
2006/0217022 A1 9/2006 Gillette et al.
2010/0040827 A1 2/2010 Horn et al.

(Continued)

(22) Filed: **Apr. 9, 2015**
(51) **LOC (10) Cl.** **03-01**
(52) **U.S. Cl.**
USPC **D3/318**
(58) **Field of Classification Search**
USPC D3/318, 63
CPC B65D 33/20; B65D 77/12; D04D 7/10
See application file for complete search history.

FOREIGN PATENT DOCUMENTS

CN 1207667 A 2/1999
CN 1604768 A 4/2005

(Continued)

Primary Examiner — Holly Baynham
(74) *Attorney, Agent, or Firm* — Avery Dennison Corporation

(56) **References Cited**
U.S. PATENT DOCUMENTS

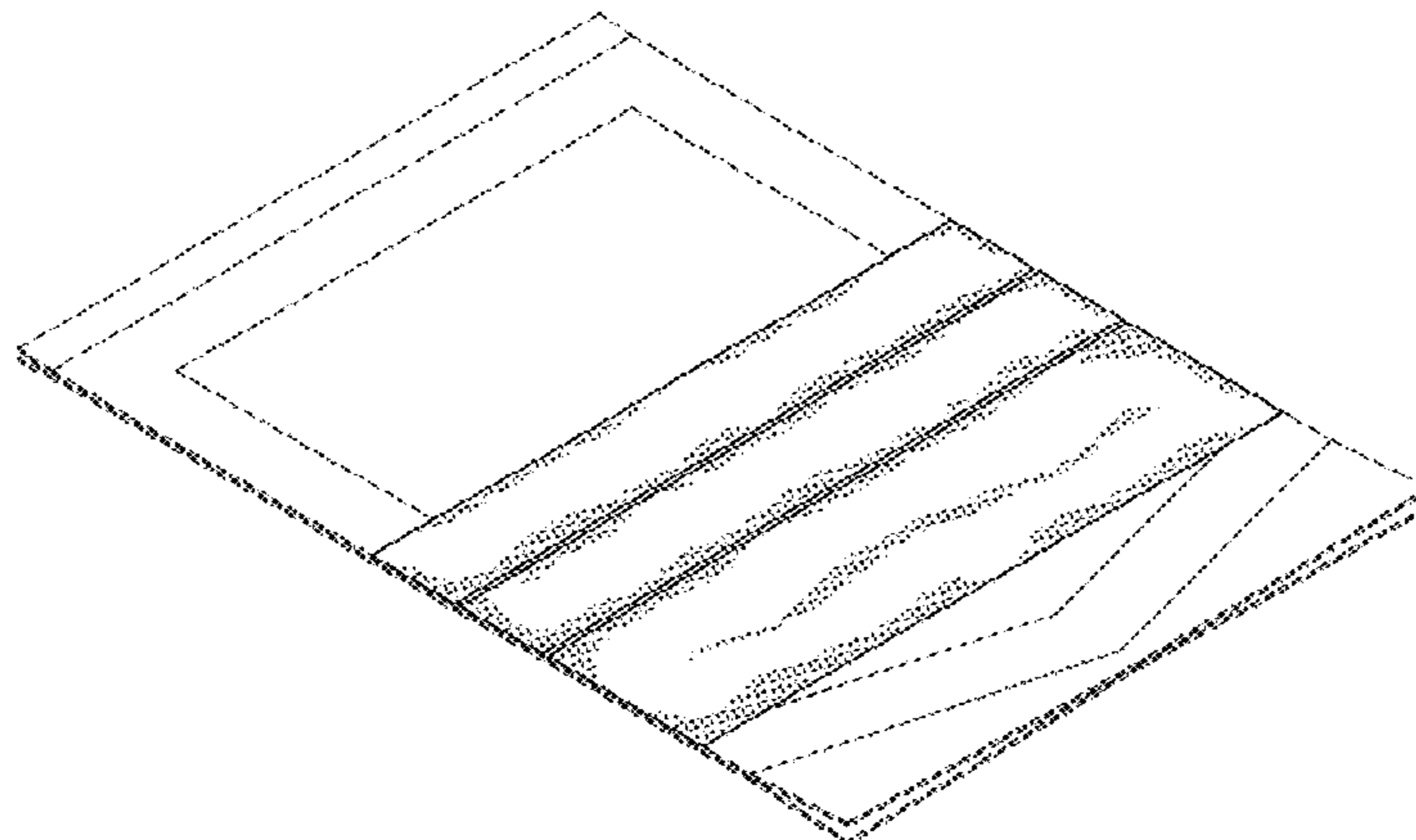
2,508,855 A * 5/1950 Brown B65D 63/1009
206/820
2,905,174 A * 9/1959 Smith A61F 13/0203
602/42
3,819,106 A * 6/1974 Schuster A61B 10/0096
206/439
4,988,547 A * 1/1991 Voto, Jr. B65D 33/20
383/5
D366,757 S * 2/1996 Marino D3/218
D367,167 S * 2/1996 Marino D3/218
5,888,607 A 3/1999 Seth et al.
D463,121 S * 9/2002 DeChant D3/276
6,502,986 B1 * 1/2003 Bensur B31B 19/62
383/204
6,647,600 B1 11/2003 Jöst et al.
6,969,377 B2 11/2005 Koele et al.
D530,917 S * 10/2006 Conforti D3/299
7,303,805 B2 12/2007 Seth et al.
D587,907 S * 3/2009 Vandenberg D5/56
7,497,851 B2 3/2009 Koele et al.

(57) **CLAIM**
The ornamental design for pouch with applied tape, as shown and described.

DESCRIPTION

FIG. 1 is an isometric view of multiple tape strips on a pouch showing our new design;
FIG. 2 is a front of FIG. 1;
FIG. 3 is a back view of FIG. 1;
FIG. 4 is a left view of FIG. 1;
FIG. 5 is a right view of FIG. 1;
FIG. 6 is a top view of FIG. 1; and,
FIG. 7 is a bottom view of FIG. 1.
The broken lines showing a pocket are for the purposes of illustrating environment and form no part of the claimed design.

1 Claim, 3 Drawing Sheets



(56)

References Cited

U.S. PATENT DOCUMENTS

2011/0272076 A1 11/2011 Popp et al.
2013/0048191 A1 2/2013 Durrance et al.
2014/0000784 A1 1/2014 Rane et al.
2014/0115838 A1 5/2014 Kirsch et al.

FOREIGN PATENT DOCUMENTS

CN 101790331 A 7/2010
CN 101663429 B 12/2011

CN 101039645 B 10/2012
CN 101006219 B 3/2013
EP 1159945 A1 12/2001
EP 0959854 B1 6/2002
EP 1290960 A1 3/2003
EP 1159476 B1 7/2004
EP 2137346 A1 12/2009
EP 1781853 B1 2/2011
EP 2505707 A1 10/2012
EP 2636782 A1 9/2013

* cited by examiner

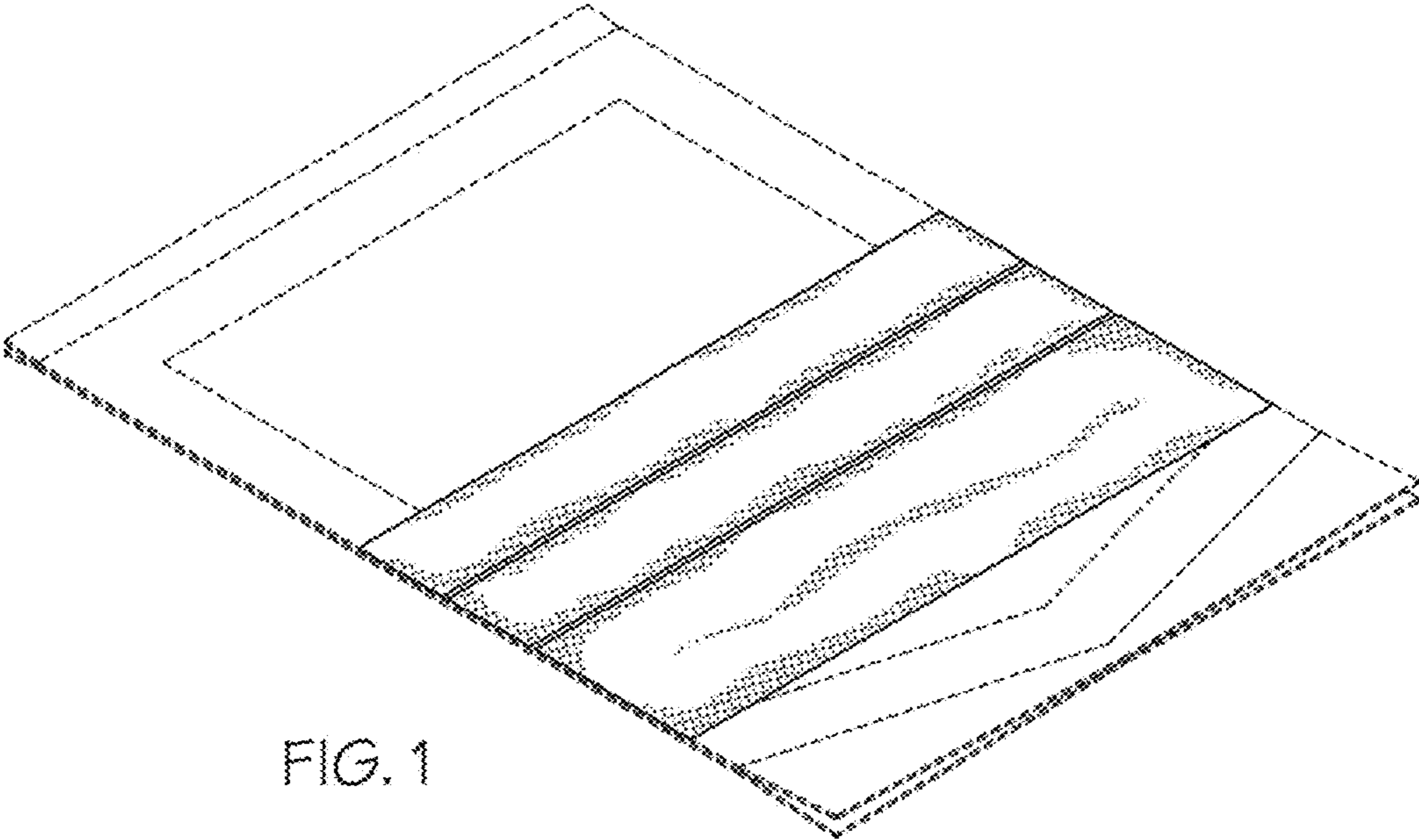


FIG. 1

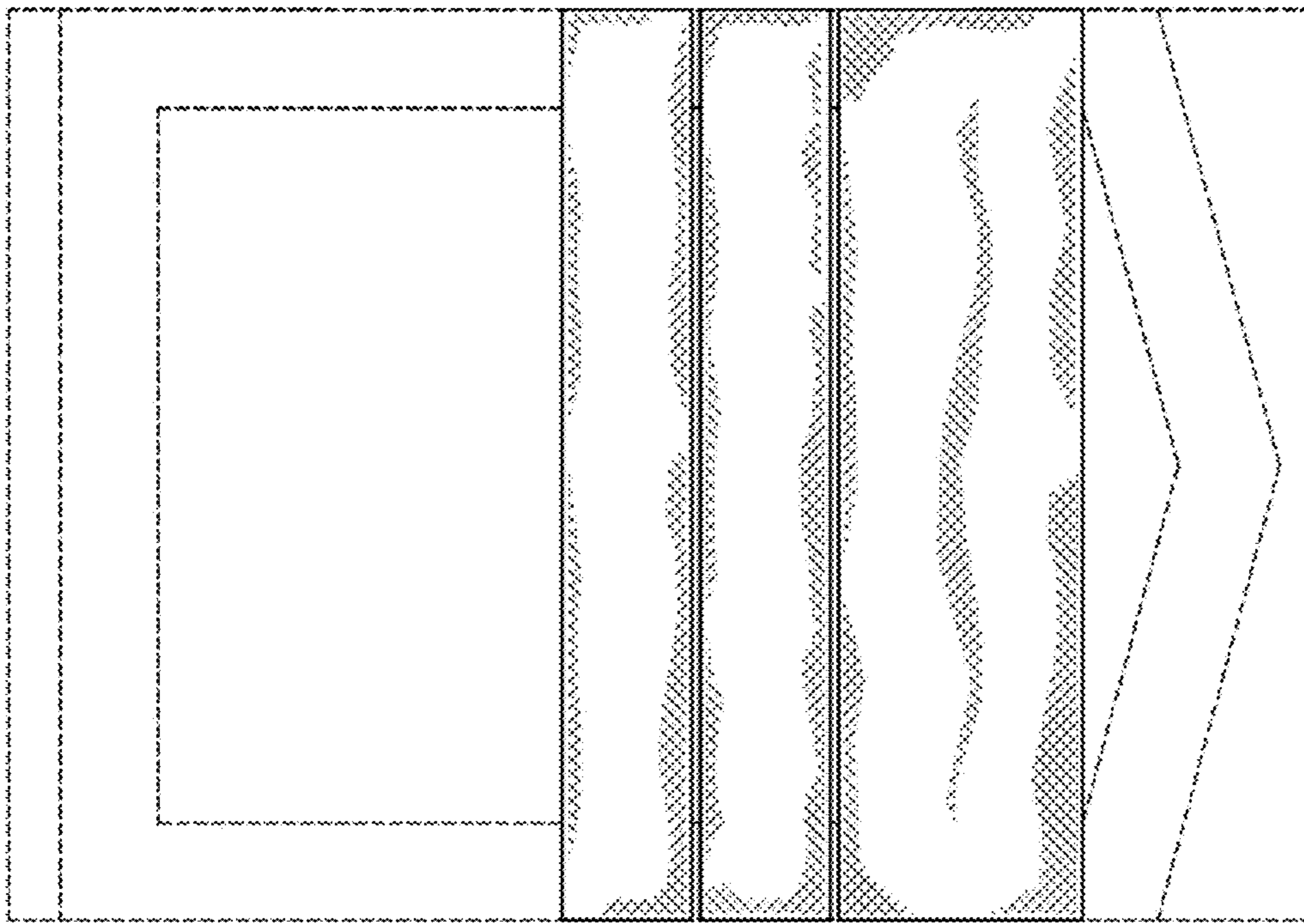


FIG. 2

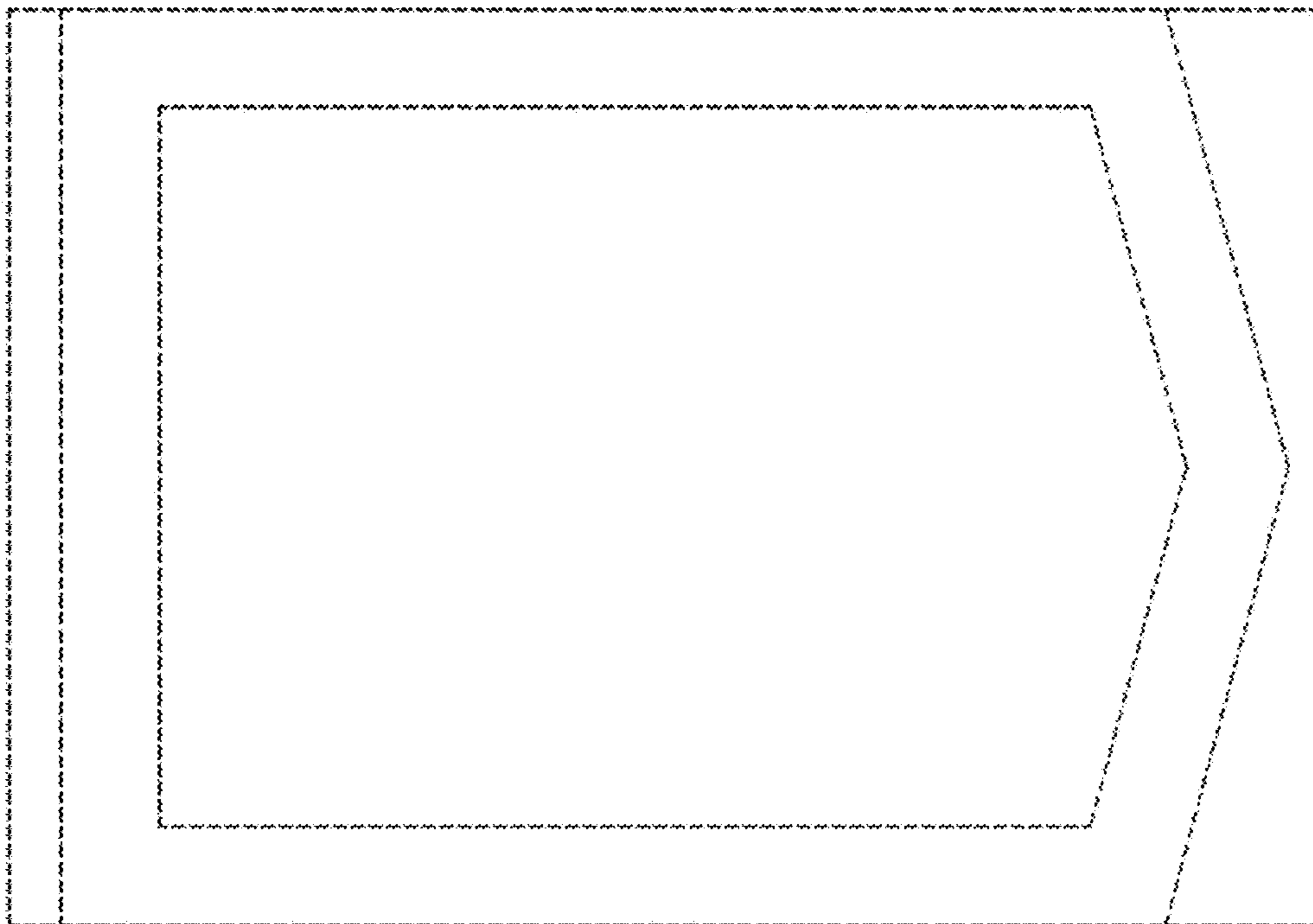


FIG. 3



FIG. 4



FIG. 5

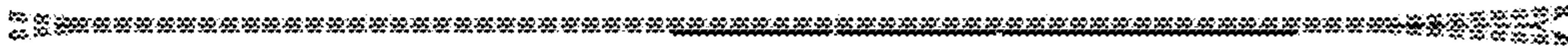


FIG. 6

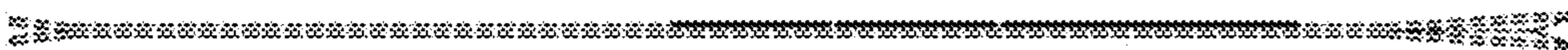


FIG. 7