



US00D770773S

(12) **United States Design Patent** (10) **Patent No.:** **US D770,773 S**
Tarter (45) **Date of Patent:** **** Nov. 8, 2016**

(54) **SHOPPING CART BAG**
(71) Applicant: **Doris A. Tarter**, Aliso Viejo, CA (US)
(72) Inventor: **Doris A. Tarter**, Aliso Viejo, CA (US)
(**) Term: **15 Years**
(21) Appl. No.: **29/533,533**
(22) Filed: **Jul. 17, 2015**

Primary Examiner — Kelley Donnelly
(74) *Attorney, Agent, or Firm* — Katherine M. Bond;
Leech Tishman Fuscaldo & Lampl

(57) **CLAIM**
The ornamental design for a shopping cart bag, as shown and described.

Related U.S. Application Data

(63) Continuation of application No. 29/479,890, filed on Jan. 21, 2014, now Pat. No. Des. 736,521.
(51) **LOC (10) Cl.** **03-01**
(52) **U.S. Cl.**
USPC **D3/310**
(58) **Field of Classification Search**
USPC D3/267, 279, 283, 303–311, 318;
D6/409; D7/607; D34/16–17, 21,
D34/23–25; 206/373; 280/35, 47.26
CPC B65D 27/00; B65D 33/002
See application file for complete search history.

DESCRIPTION

FIG. 1 is a perspective view of a shopping cart bag, showing my new design in use condition;
FIG. 2 is a top plan view of the shopping cart bag;
FIG. 3 is a front elevation view of the shopping cart bag;
FIG. 4 is a side view of the shopping cart bag;
FIG. 5 is a perspective view of the shopping cart bag;
FIG. 6 is an expanded view of the top of the shopping cart bag;
FIG. 7 is a perspective view of the shopping cart bag folded up; and,
FIG. 8 is a perspective view of the shopping cart bag rolled up.
The shopping cart shown in broken lines in FIG. 1 illustrates the shopping cart bag while in use, and forms no part of the claimed design. The brackets shown in broken lines that attach the shopping cart bag to the shopping cart shown in FIGS. 1-8 are for illustrative purposes only and form no part of the claimed design.
The series of dashed lines on the shopping cart bag in FIGS. 1-5, and 7-8 represent stitching.

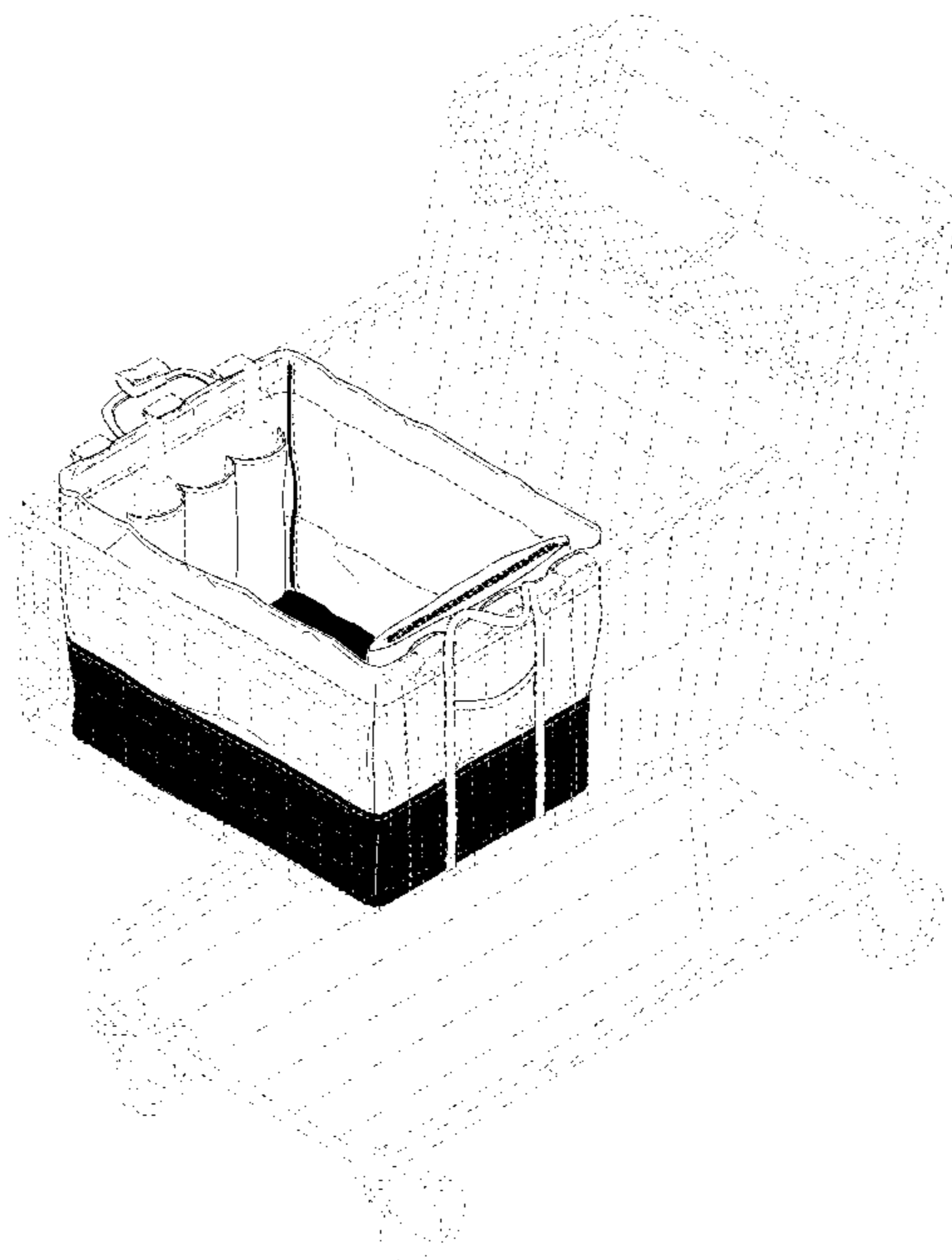
(56) **References Cited**

U.S. PATENT DOCUMENTS

4,765,644 A * 8/1988 Bell B62B 3/027
280/33.992
D321,071 S * 10/1991 Dickinson D34/17
D525,758 S * 7/2006 Lynch D34/12
D672,932 S * 12/2012 Fredendall D34/27
D672,933 S * 12/2012 Fredendall D34/27
D681,900 S * 5/2013 Fredendall D34/27
D736,521 S * 8/2015 Tarter D3/310

* cited by examiner

1 Claim, 4 Drawing Sheets



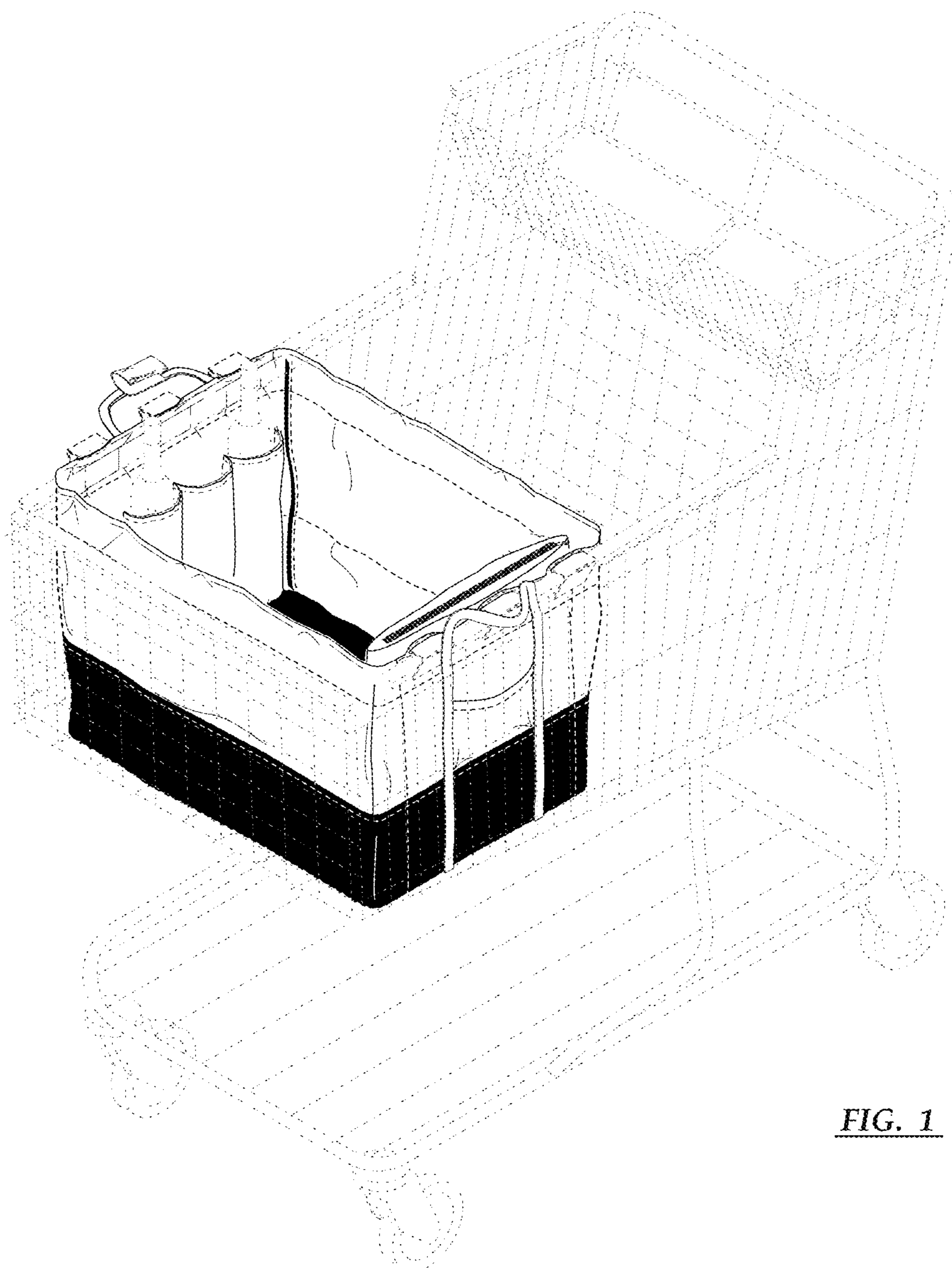


FIG. 1

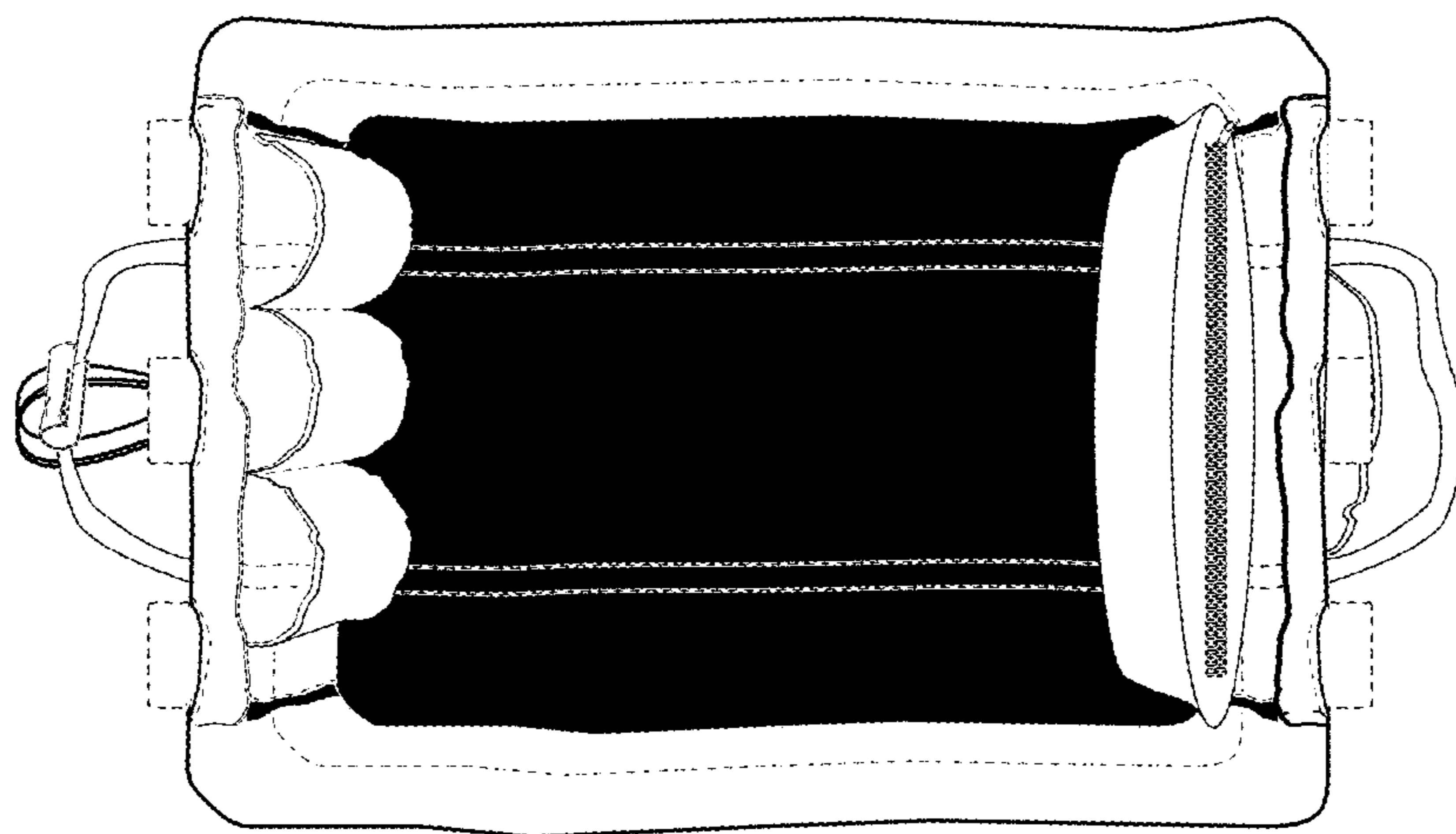


FIG. 2

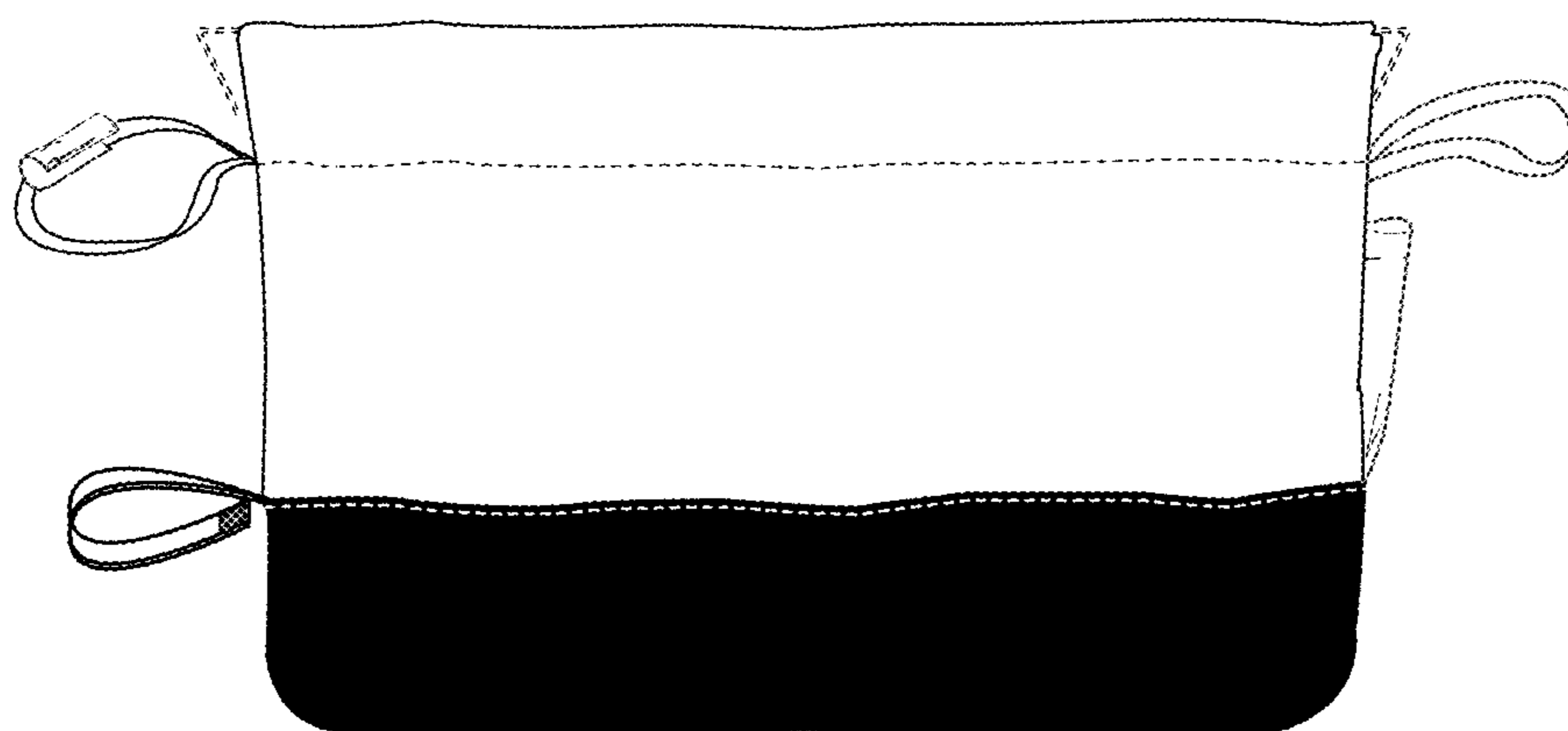


FIG. 3

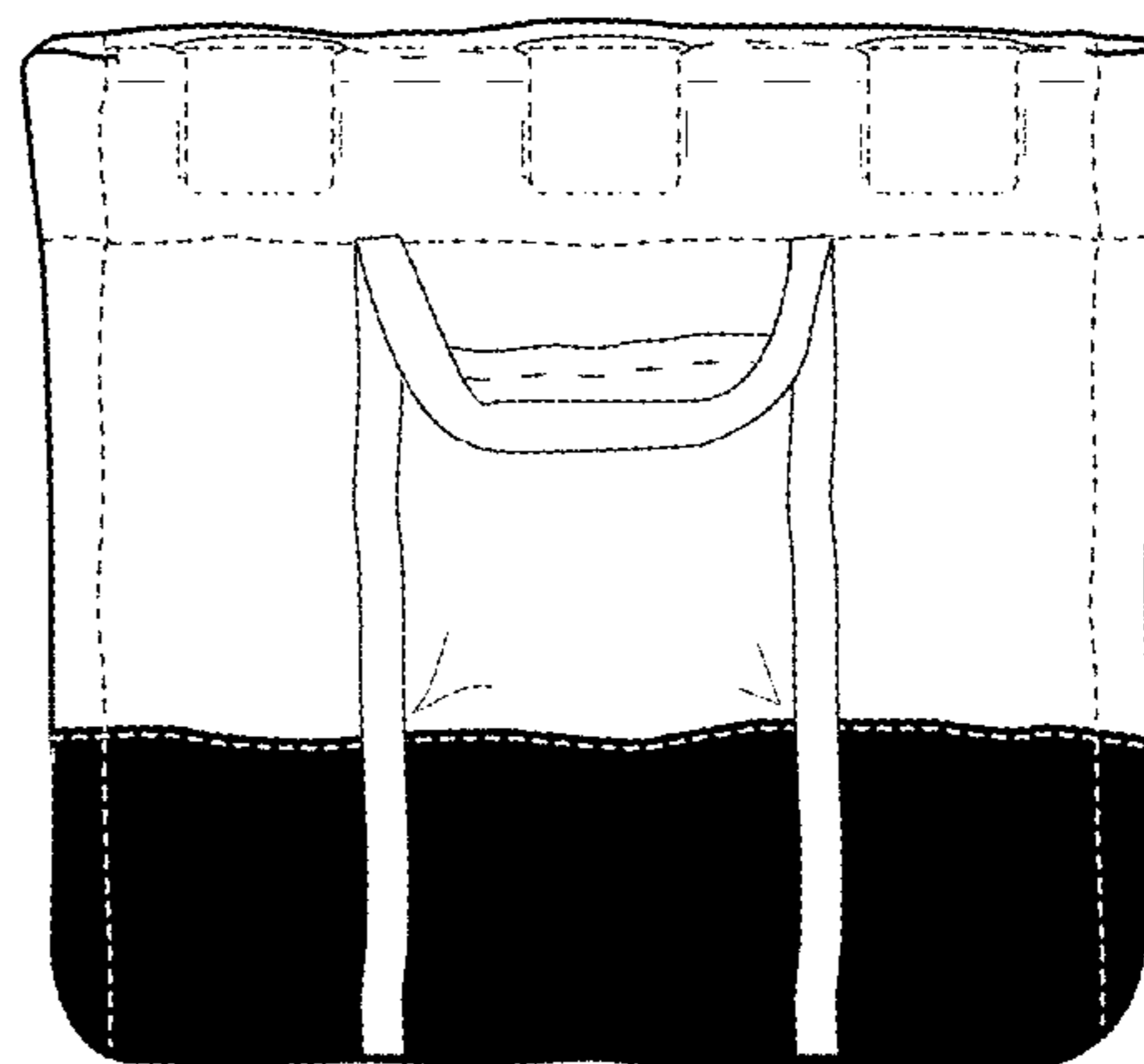
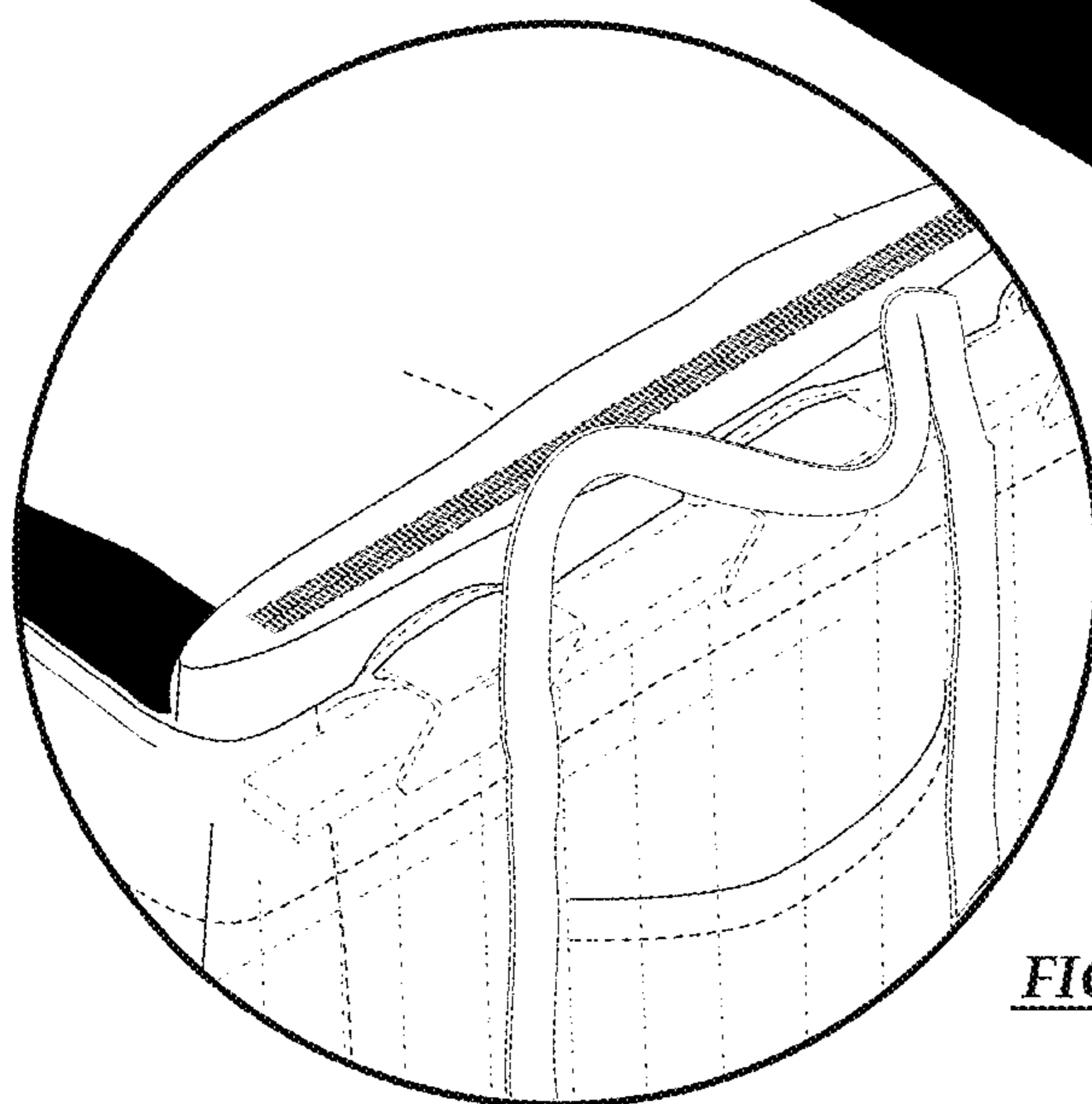
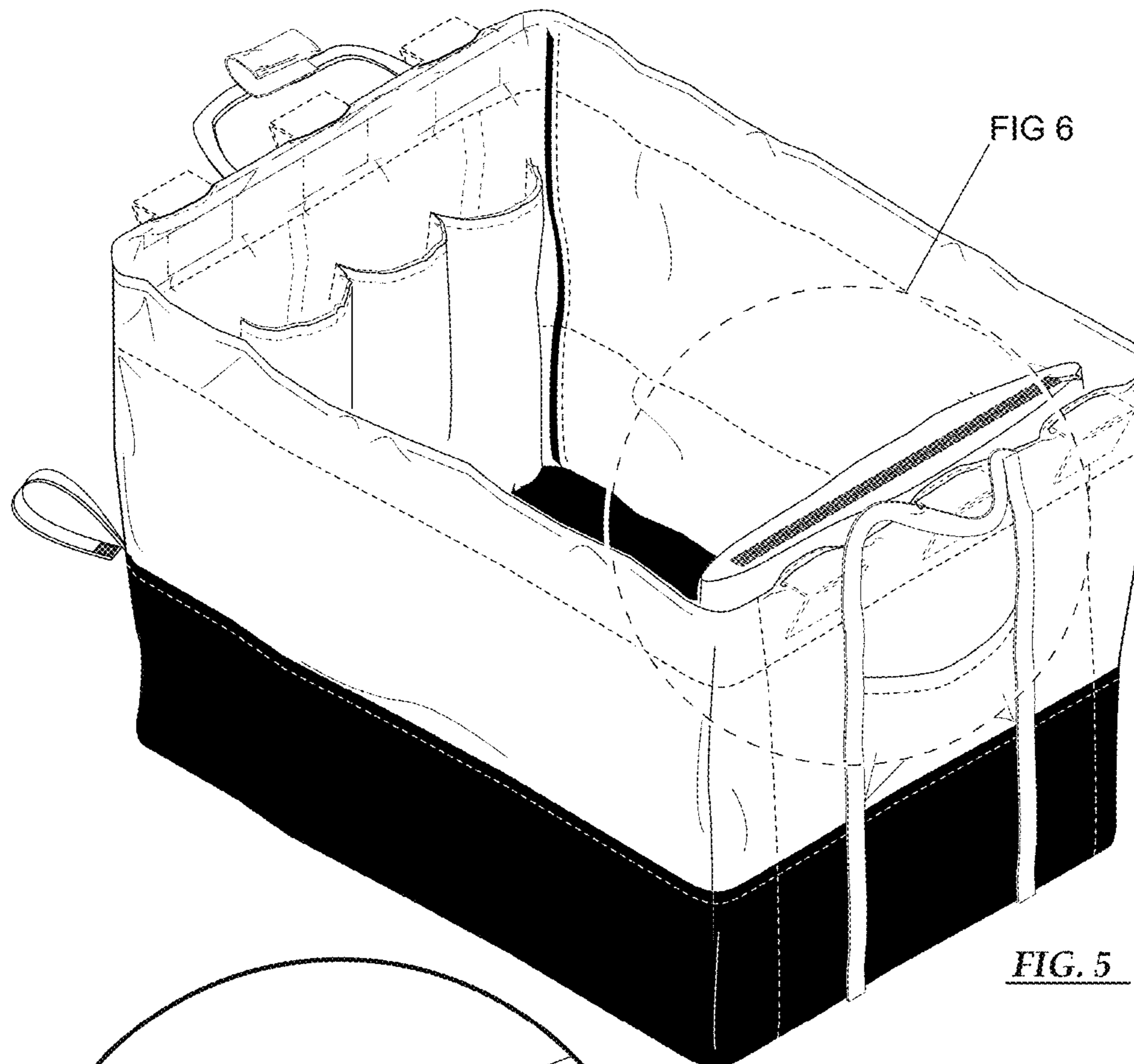


FIG. 4



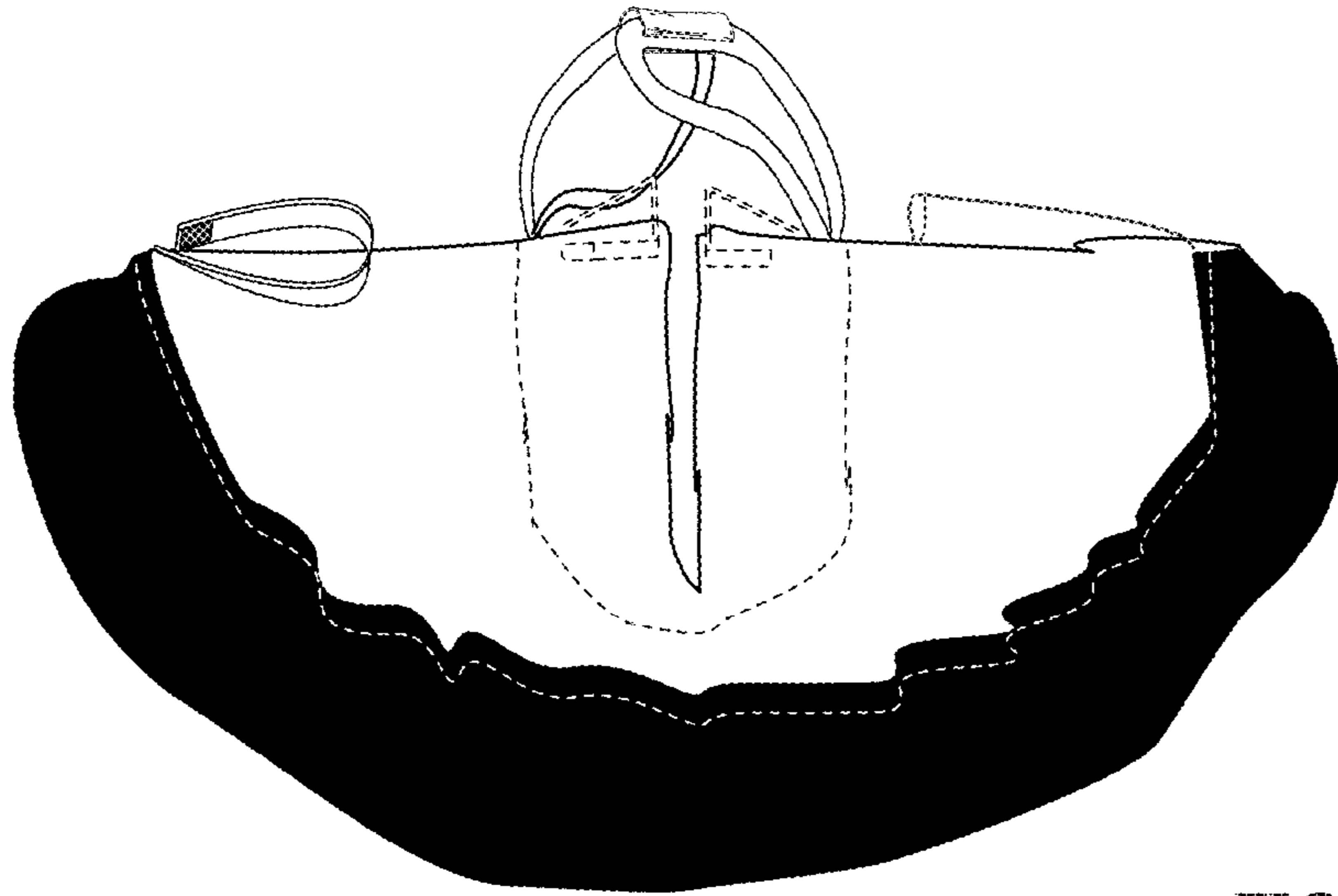


FIG. 7

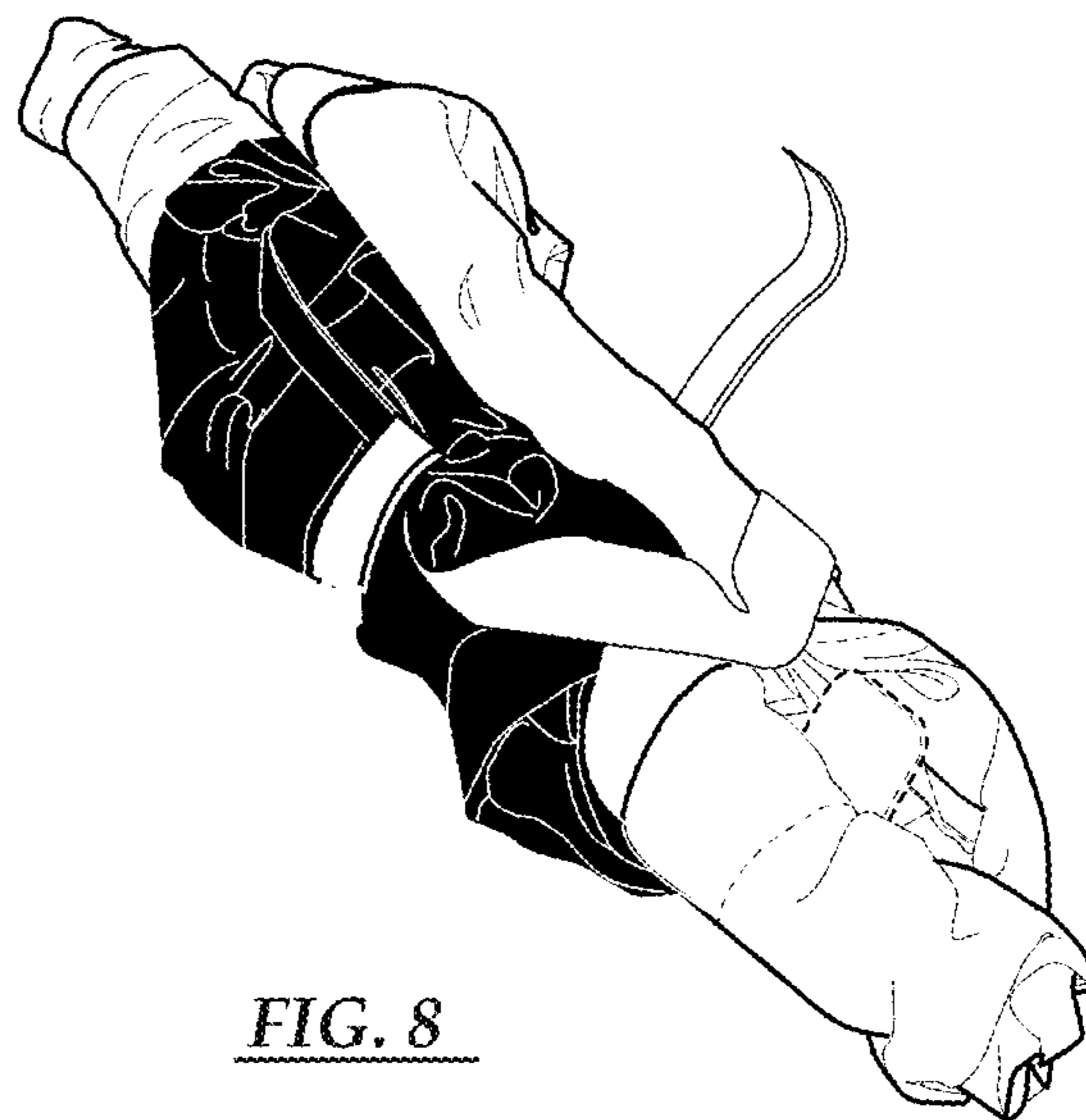


FIG. 8