



US00D770772S

(12) **United States Design Patent** (10) **Patent No.:** **US D770,772 S**
Levin et al. (45) **Date of Patent:** **** Nov. 8, 2016**

(54) **FLIP FLOP STORAGE UNIT**
(71) Applicants: **Gregg Myles Levin**, Boston, MA (US);
Guang Yu Gao, Malden, MA (US)
(72) Inventors: **Gregg Myles Levin**, Boston, MA (US);
Guang Yu Gao, Malden, MA (US)

(**) Term: **15 Years**

(21) Appl. No.: **29/529,861**

(22) Filed: **Jun. 11, 2015**

(51) **LOC (10) Cl.** **03-01**

(52) **U.S. Cl.**
USPC **D3/310**

(58) **Field of Classification Search**
USPC D3/201, 231, 304, 307, 308, 315, 317,
D3/318, 328; D6/325, 657, 661, 672, 678,
D6/682, 682.1, 683
CPC ... A45C 13/002; A45C 2200/05; B65D 1/00
See application file for complete search history.

(56) **References Cited**

U.S. PATENT DOCUMENTS

D260,327 S * 8/1981 Rabinowitz D3/290
D525,790 S * 8/2006 Heroux D3/301
D574,146 S * 8/2008 Eisenbraun D3/218

D617,636 S * 6/2010 Vanhoutte D9/420
D672,550 S * 12/2012 Gavrieli D3/232
D675,020 S * 1/2013 Mu D3/302
D703,952 S * 5/2014 Smith D3/271.4
D740,554 S * 10/2015 Collins D3/254
D747,099 S * 1/2016 Cogan D3/278

* cited by examiner

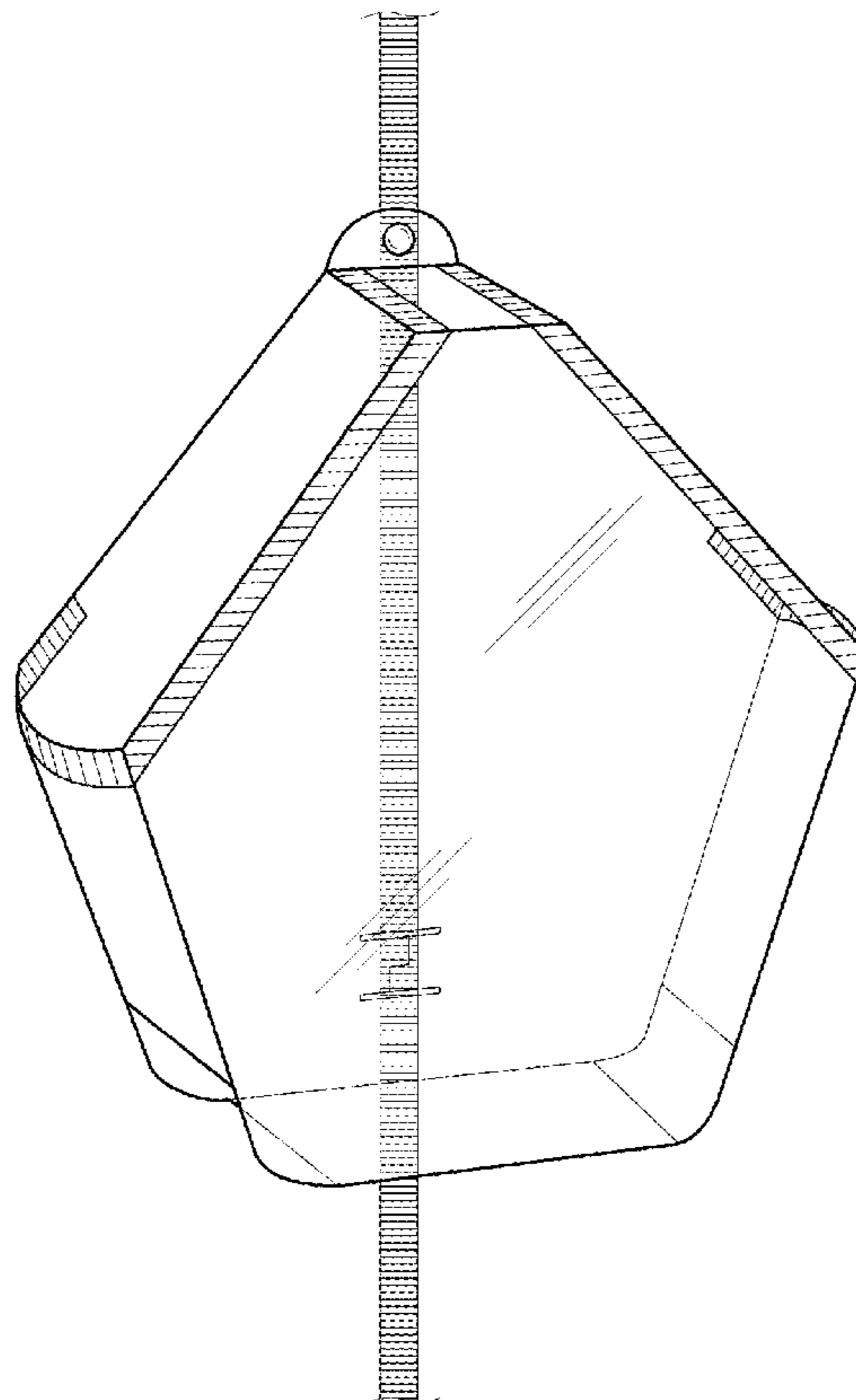
Primary Examiner — Kelley Donnelly
(74) *Attorney, Agent, or Firm* — John M. Brandt

(57) **CLAIM**
The ornamental design for a flip flop storage unit, as shown and described.

DESCRIPTION

FIG. 1 is a perspective view of our new design; FIG. 2 is a front view of the design of FIG. 1; FIG. 3 is a back view of the design of FIG. 1; FIG. 4 is a view of the left side of the design of FIG. 1; FIG. 5 is a view of the right side of the design of FIG. 1; FIG. 6 is a top view of the design of FIG. 1; FIG. 7 is a bottom view of the design of FIG. 1; FIG. 8 is a perspective view thereof shown with environment; and, FIG. 9 is another perspective view thereof shown in environment.
The broken lines are for the purpose of illustrating the environment of the article only and form no part of the claimed design.

1 Claim, 9 Drawing Sheets



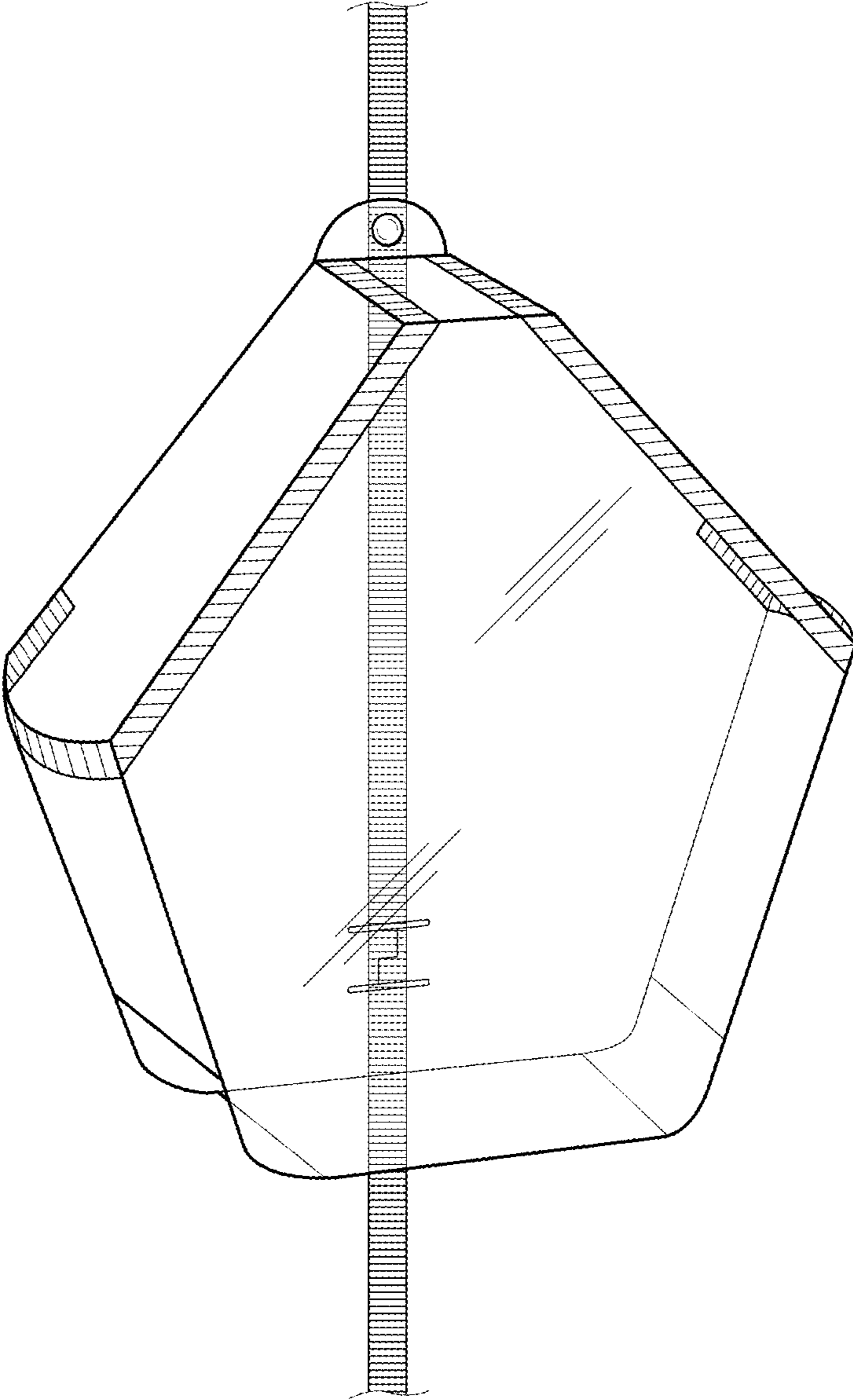


FIG. 1

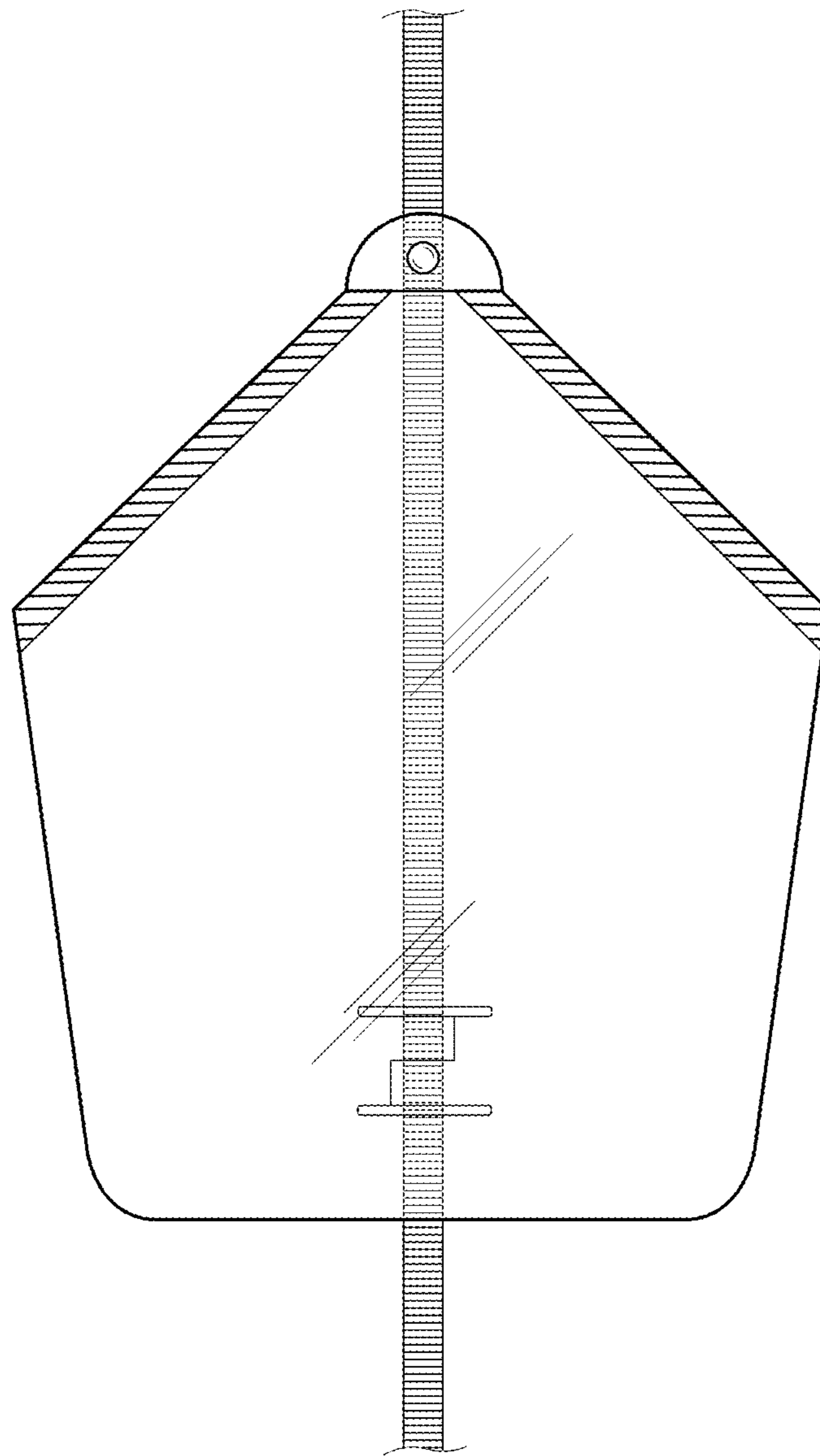


FIG. 2

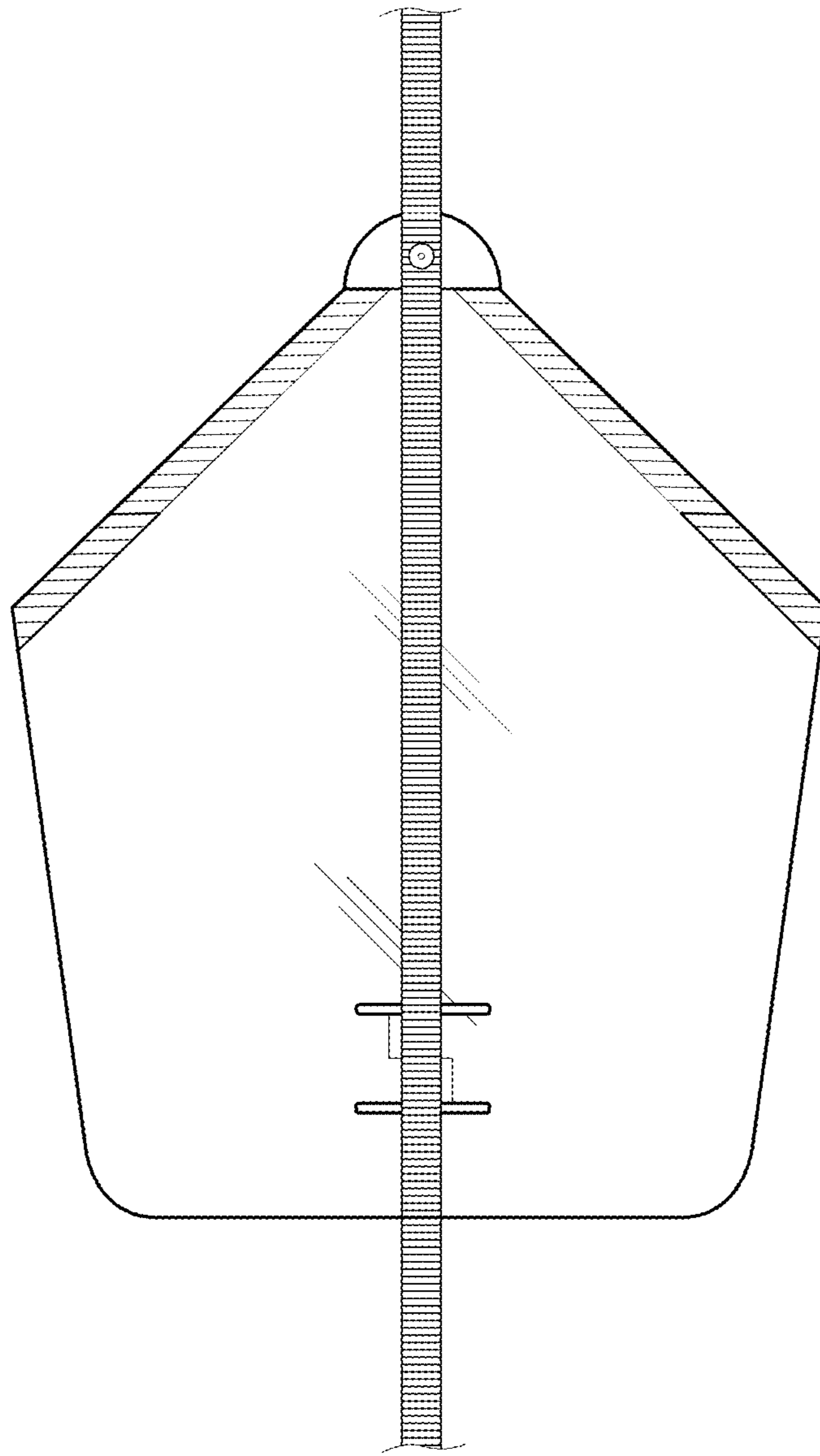


FIG. 3

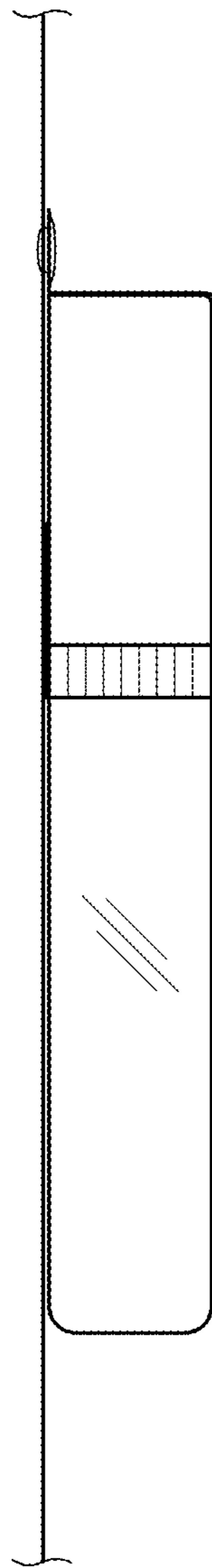


FIG. 4

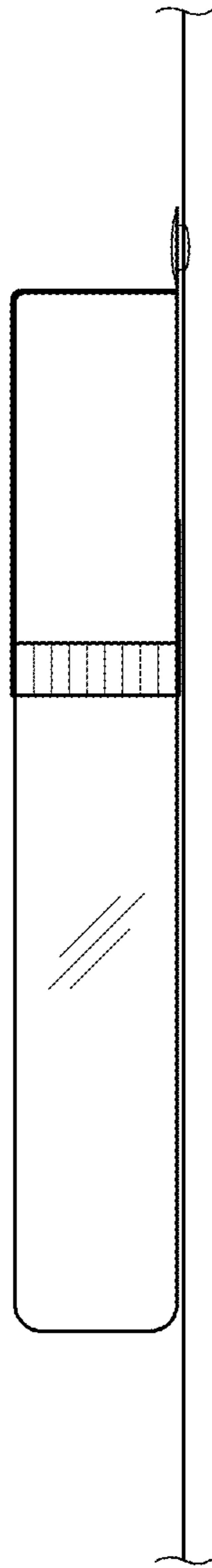


FIG. 5

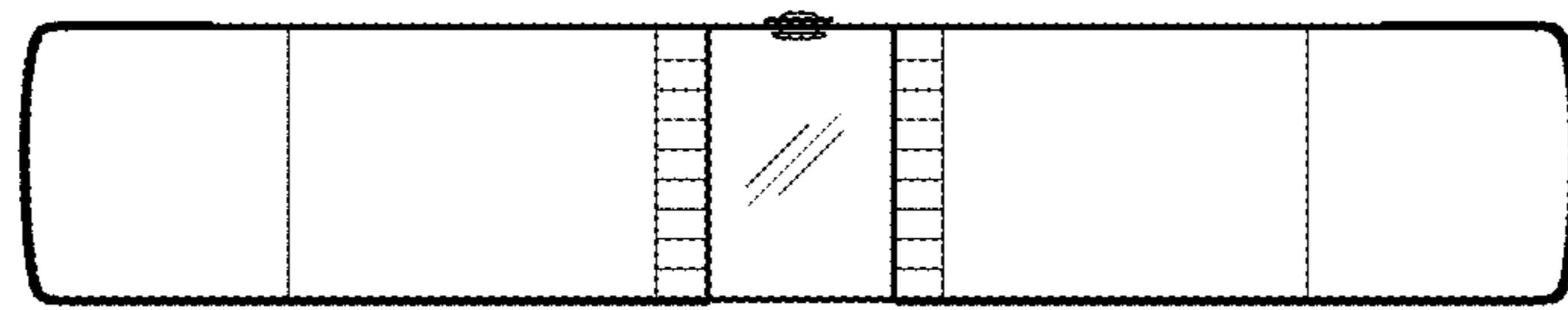


FIG. 6

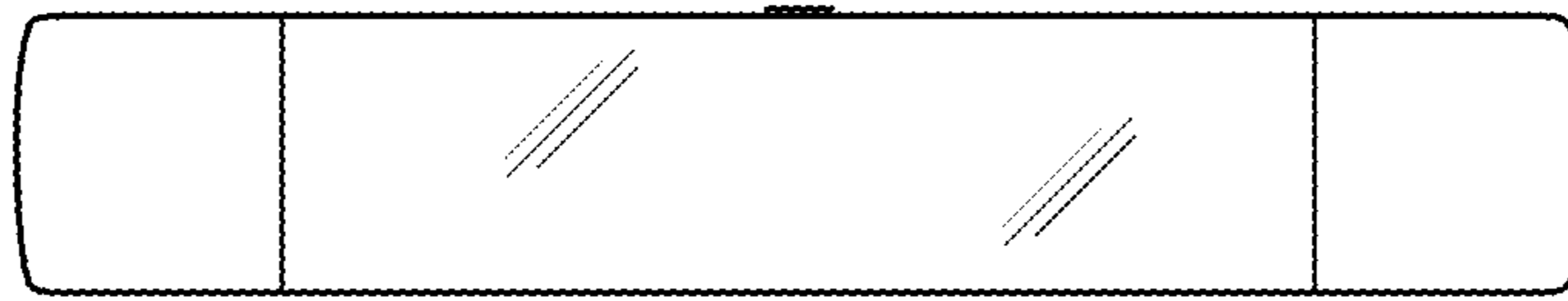


FIG. 7

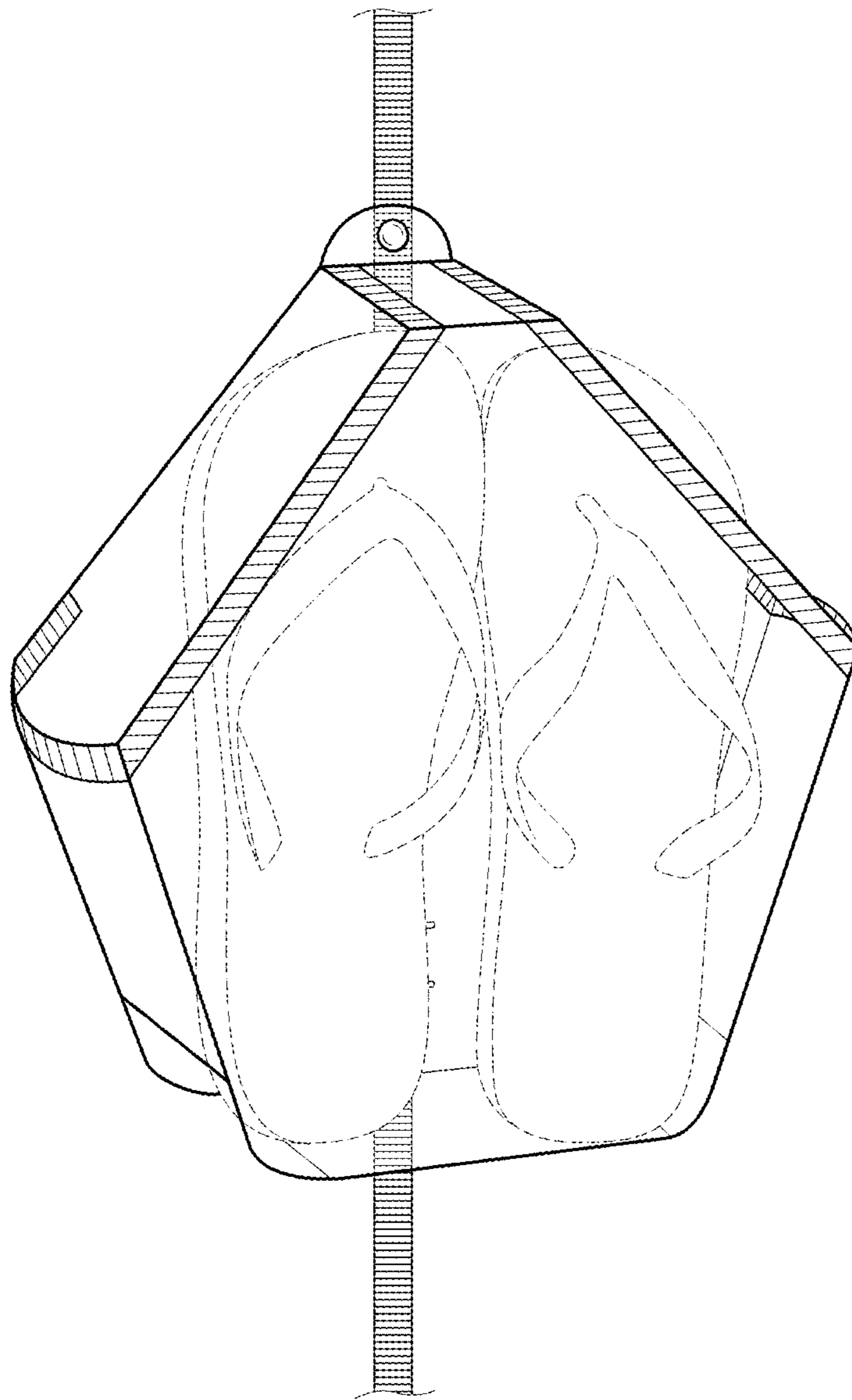


FIG. 8

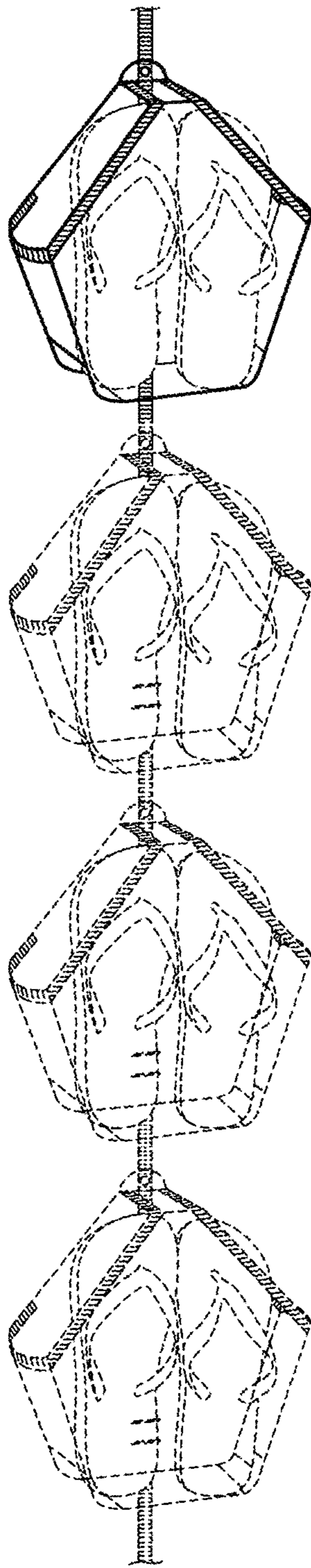


FIG. 9