



US00D770770S

(12) **United States Design Patent** (10) **Patent No.:** **US D770,770 S**
White (45) **Date of Patent:** **** Nov. 8, 2016**

(54) **TRAVEL CASE**

(71) Applicant: **Deborah Naomi White**, Lewisville, TX (US)

(72) Inventor: **Deborah Naomi White**, Lewisville, TX (US)

(**) Term: **15 Years**

(21) Appl. No.: **29/529,506**

(22) Filed: **Jun. 8, 2015**

(51) **LOC (10) Cl.** **03-01**

(52) **U.S. Cl.**
USPC **D3/295**; D3/901

(58) **Field of Classification Search**
USPC D3/273, 274, 275, 276, 281, 282, 284,
D3/292, 294, 295, 296, 302, 905, 901, 903,
D3/205, 260, 203.1
CPC A45C 5/04; A45C 11/00; A45C 11/16;
A45C 15/04

See application file for complete search history.

(56) **References Cited**

U.S. PATENT DOCUMENTS

5,441,153	A *	8/1995	Lahaye	A45C 11/008 132/312
D418,252	S *	12/1999	Horvath	D28/61
D443,762	S *	6/2001	Park	D28/61
D446,926	S *	8/2001	Silva	D3/205
D448,154	S *	9/2001	Mann	D3/203.1
D612,152	S *	3/2010	Roesler	D3/294
D663,520	S *	7/2012	Antler	D3/205
D670,909	S *	11/2012	Price	D3/260
D679,508	S *	4/2013	Rivera	D3/205
D740,019	S *	10/2015	Hynek	D3/205
D745,775	S *	12/2015	Provost	D3/205
D749,845	S *	2/2016	Tonelli	D3/276

OTHER PUBLICATIONS

Ted Pella Inc., "Plastic Storage Boxes", two 6 compartment boxes indicated with red arrows, accessed Apr. 12, 2016 (https://www.tedpella.com/storage-boxes-bags_html/styrene-boxes.htm).*

Amazon.com, "Art Bin . . . Solutions Box Medium—6 Compartment . . .", Earliest review Aug. 12, 2014, Accessed Apr. 12, 2016. (http://www.amazon.com/gp/product/B0013L9XL2/ref=pd_lpo_sbs_dp_ss_2?pf_rd_p=1944687462&pf_rd_s=lpo-top-stripe-1&pf_rd_t=201&pf_rd_i=B015NJLDV2&pf_rd_m=ATVPDKIKX0DER&pf_rd_r=03MD07ABTP8YSTK0HVCB).*

Lytha Studios, "Bead Boxes & Organizers", 4th product '6 Compartment Polypropylene Storage Box', Accessed Apr. 12, 2016 (<http://www.lythastudios.com/123bead/beading-organizers.html>).*

* cited by examiner

Primary Examiner — Jennifer Rivard

Assistant Examiner — April Rivas

(74) *Attorney, Agent, or Firm* — Dunlap Bennett & Ludwig PLLC

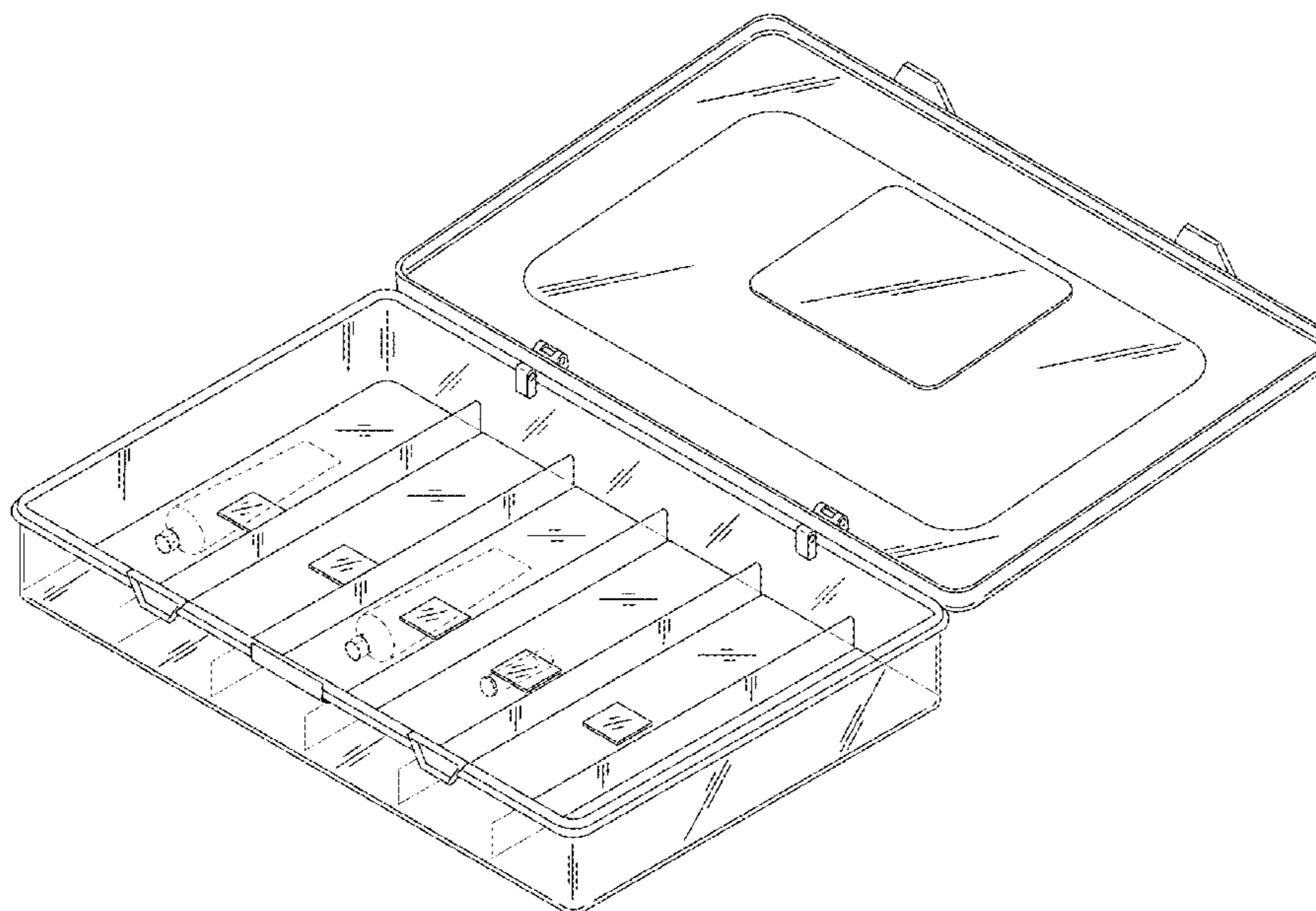
(57) **CLAIM**

The ornamental design for a travel case, as shown and described.

DESCRIPTION

FIG. 1 is a perspective view of a travel case; FIG. 2 is a front elevation view thereof; FIG. 3 is a rear elevation view thereof; FIG. 4 is a left elevation view thereof, the right elevation view being a mirror image thereof; FIG. 5 is a top plan view thereof; and, FIG. 6 is a bottom plan view thereof. The broken lines illustrate environment and form no part of the claimed design.

1 Claim, 4 Drawing Sheets



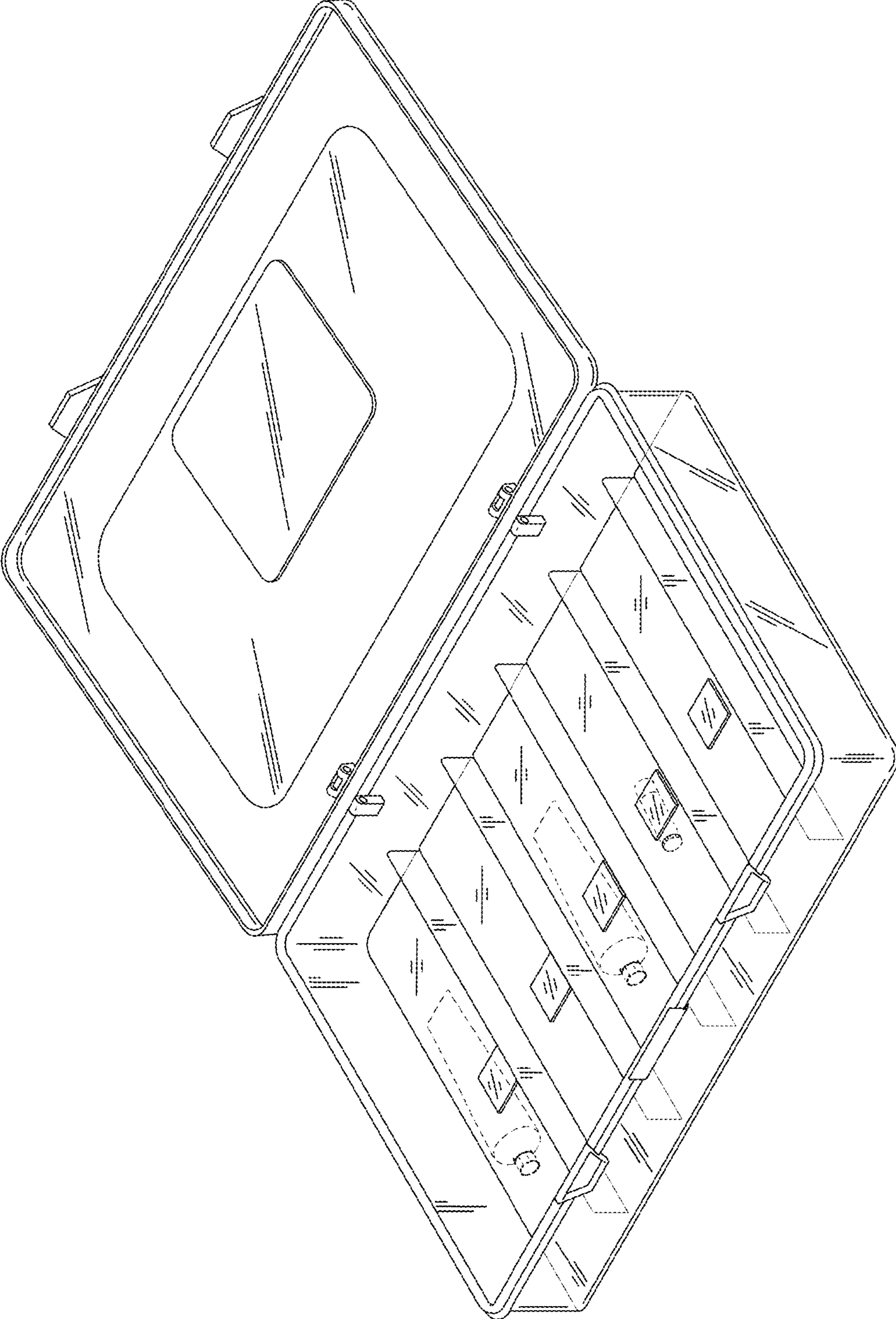


FIG.1

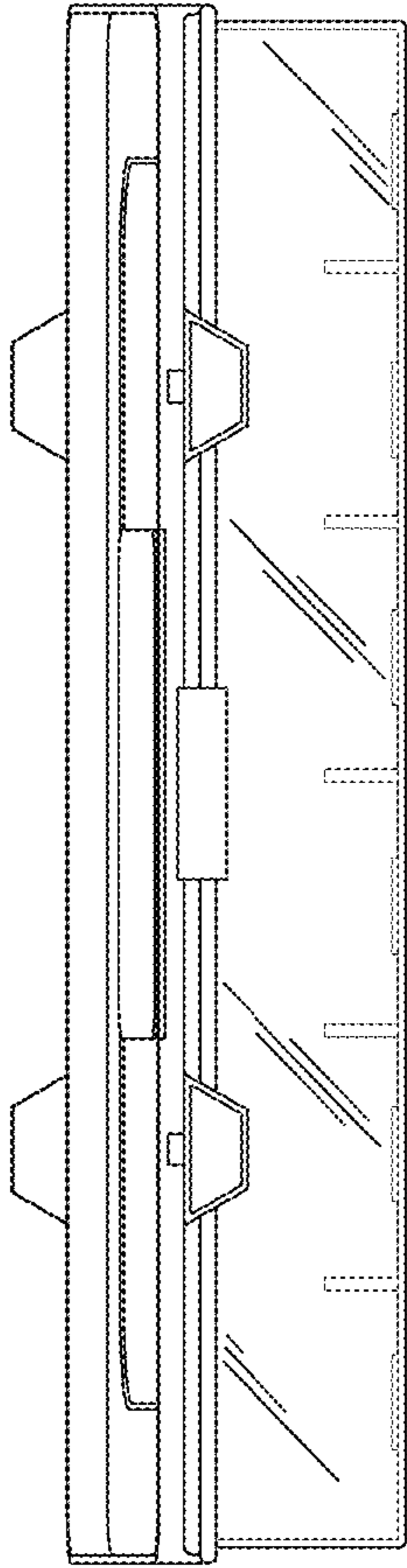


FIG. 2

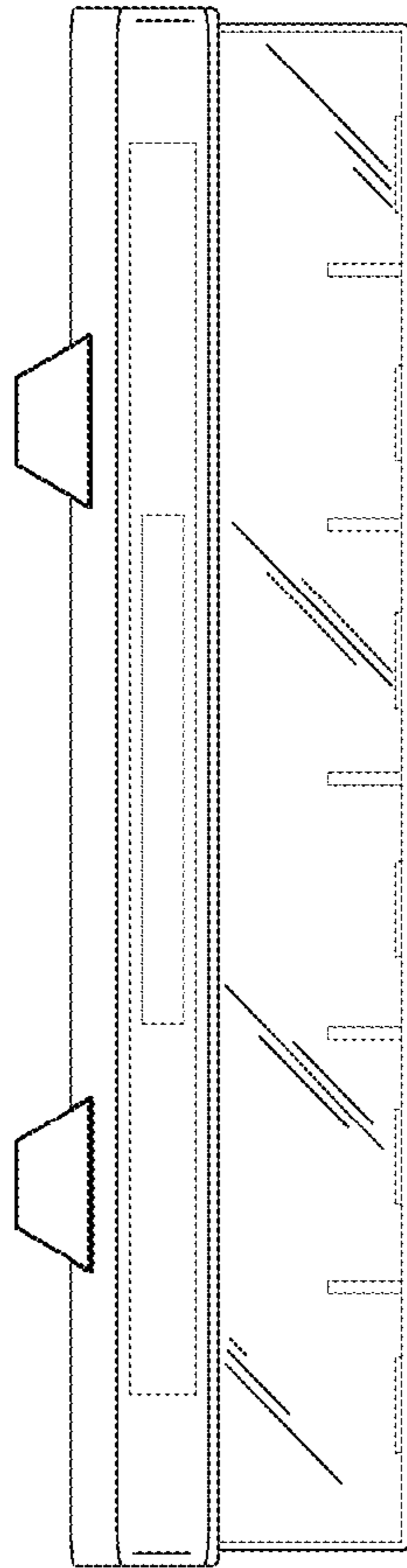


FIG. 3

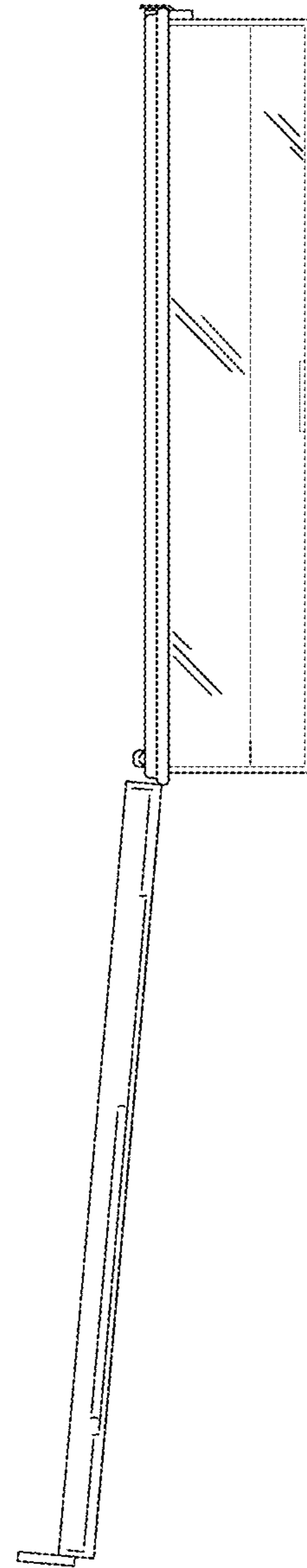


FIG. 4

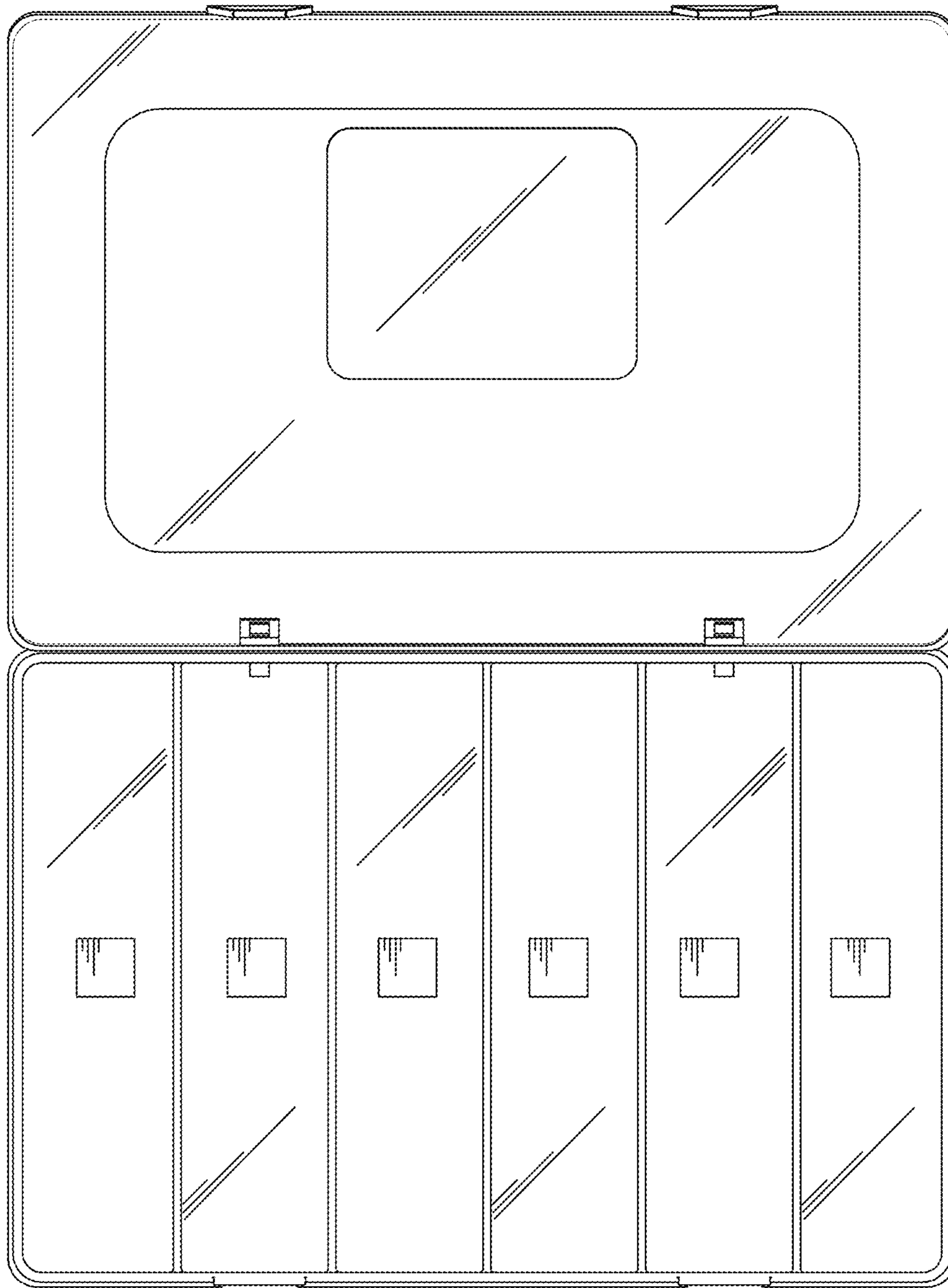


FIG.5

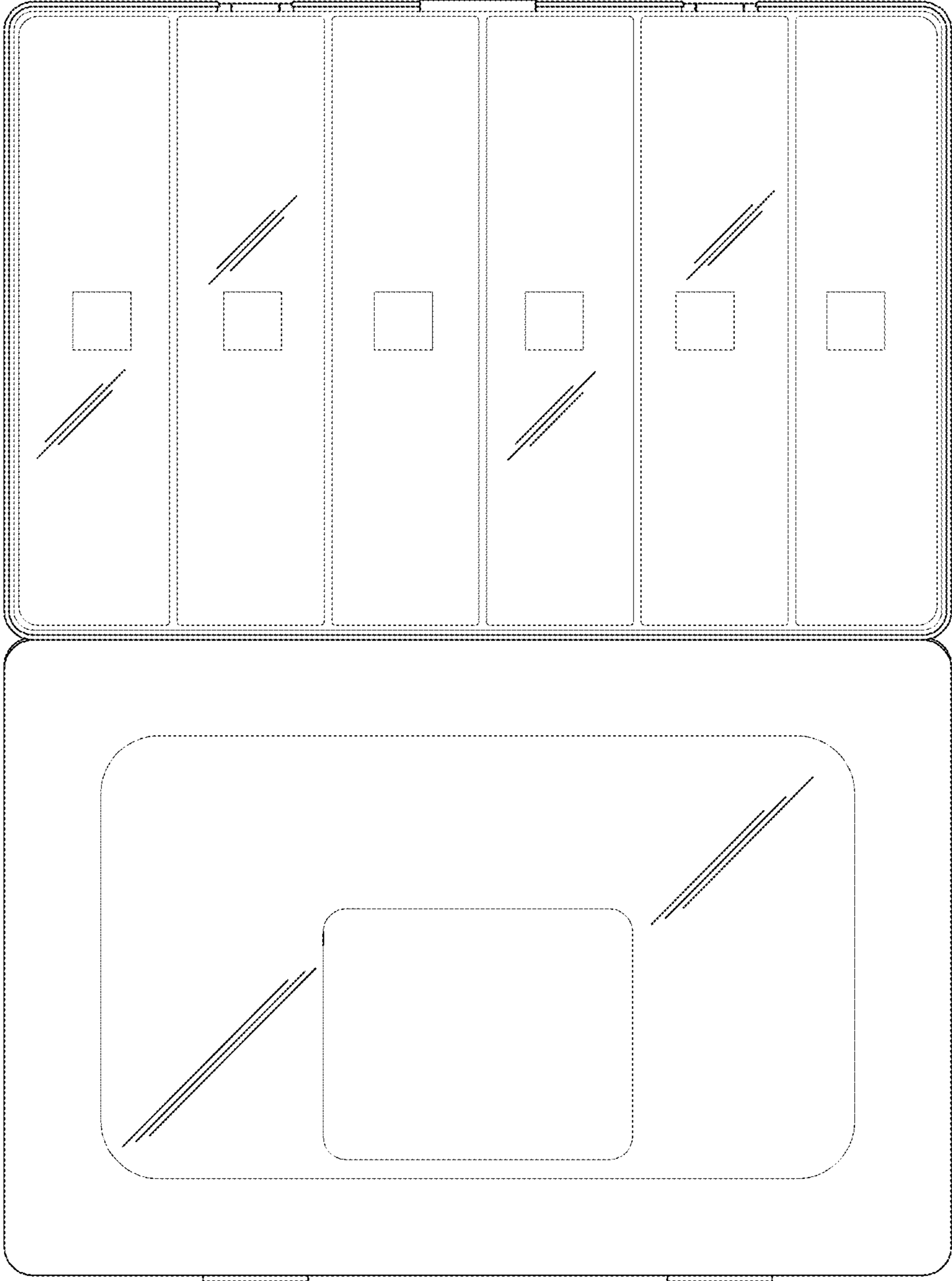


FIG.6