



US00D770769S

(12) **United States Design Patent** (10) **Patent No.:** **US D770,769 S**  
**Szal** (45) **Date of Patent:** **\*\* \*Nov. 8, 2016**

(54) **STORAGE CASE**

(71) Applicant: **Timothy N. Szal**, Newton, MA (US)

(72) Inventor: **Timothy N. Szal**, Newton, MA (US)

(\* ) Notice: This patent is subject to a terminal disclaimer.

(\*\*) Term: **14 Years**

(21) Appl. No.: **29/491,709**

(22) Filed: **May 23, 2014**

(51) **LOC (10) Cl.** ..... **03-01**

(52) **U.S. Cl.**  
USPC ..... **D3/270**

(58) **Field of Classification Search**  
USPC ..... D3/269, 270, 271.1, 271.11; D9/673;  
D21/545, 542; D12/308; 114/331, 332  
CPC ..... A63H 23/02; A63H 23/04; A63H 23/06;  
A63H 23/10  
See application file for complete search history.

(56) **References Cited**

**U.S. PATENT DOCUMENTS**

3,160,133	A *	12/1964	Walker	.....	A63H 23/00 114/245
3,683,835	A *	8/1972	Deslierres	.....	B63G 8/24 114/331
D245,529	S *	8/1977	Hudson	.....	D21/545
D275,300	S *	8/1984	Mancini	.....	D12/112
D304,923	S *	12/1989	Pado	.....	D12/308
D415,464	S *	10/1999	Frechette	.....	D12/308

D470,544	S *	2/2003	Uetake	.....	D21/545
D503,754	S *	4/2005	Winston	.....	D21/545
8,011,993	B1 *	9/2011	Thompson	.....	A63H 23/04 446/153
D684,220	S *	6/2013	Komuku	.....	D21/545
D733,634	S *	7/2015	De Camargo Aranha ...	.....	D12/308
2005/0208867	A1 *	9/2005	Higashida	.....	A63H 30/04 446/154
2007/0128970	A1 *	6/2007	Mietta	.....	A63H 23/04 446/154

\* cited by examiner

*Primary Examiner* — Cynthia Ramirez

(74) *Attorney, Agent, or Firm* — Travis L. Johnson

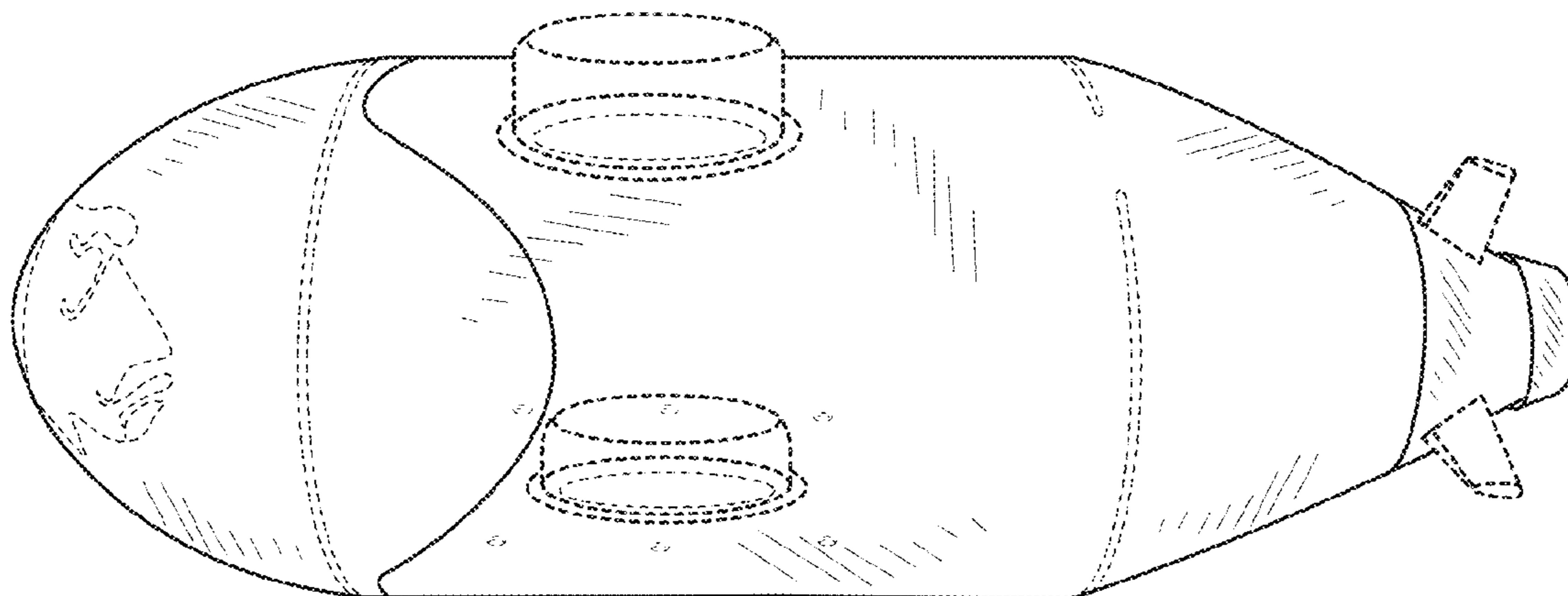
(57) **CLAIM**

The ornamental design for a storage case, as shown and described.

**DESCRIPTION**

FIG. 1 is a side perspective view of a storage case showing my new design;  
 FIG. 2 is a front view thereof;  
 FIG. 3 is a back view thereof;  
 FIG. 4 is a top view thereof;  
 FIG. 5 is a bottom view thereof;  
 FIG. 6 is a side view thereof;  
 FIG. 7 is a perspective view having the cap removed; and,  
 FIG. 8 is a perspective of the removed cap.  
 The broken lines shown in the figures are included for the purpose of illustrating environment and form no part of the claimed design.  
 The case and the cap are shown removed in FIGS. 7 and 8 respectively for convenience of illustration.

**1 Claim, 5 Drawing Sheets**



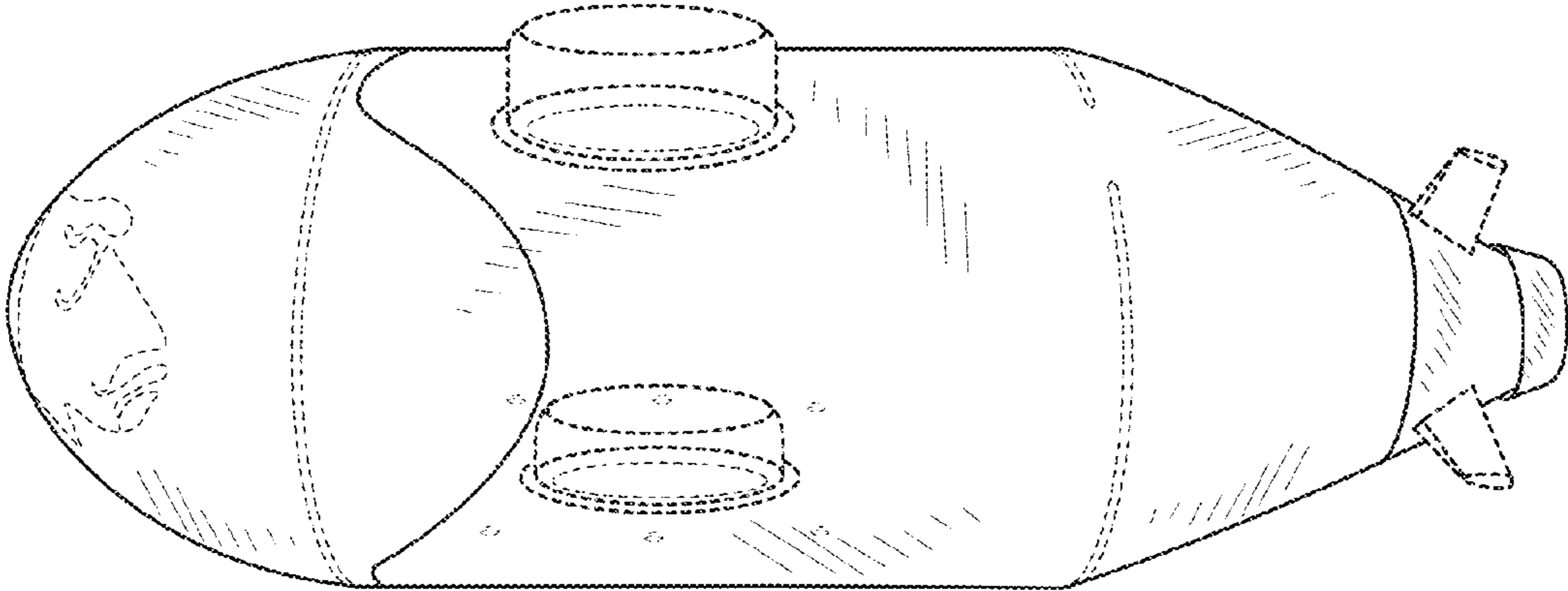


FIG. 1

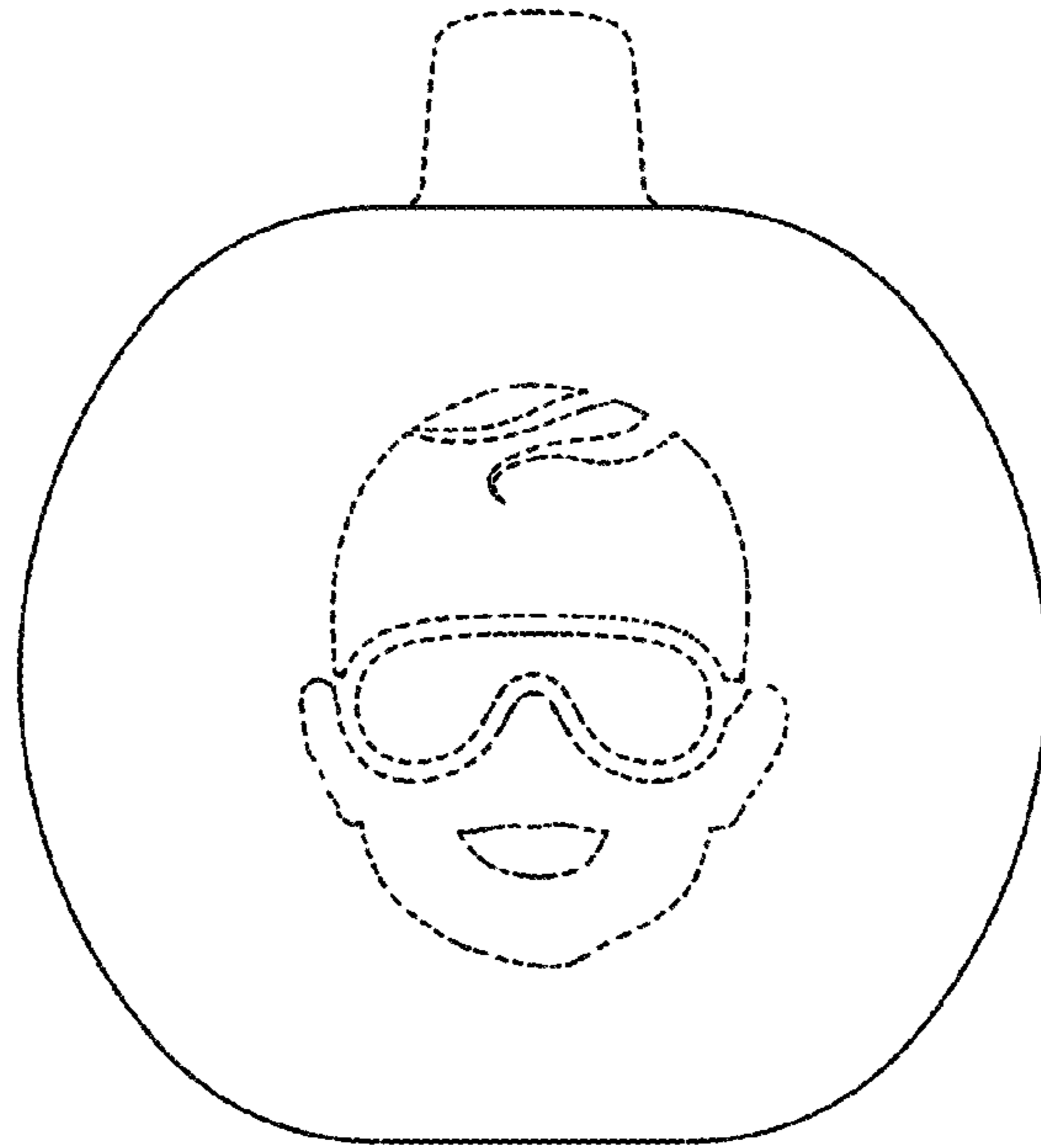


FIG. 2

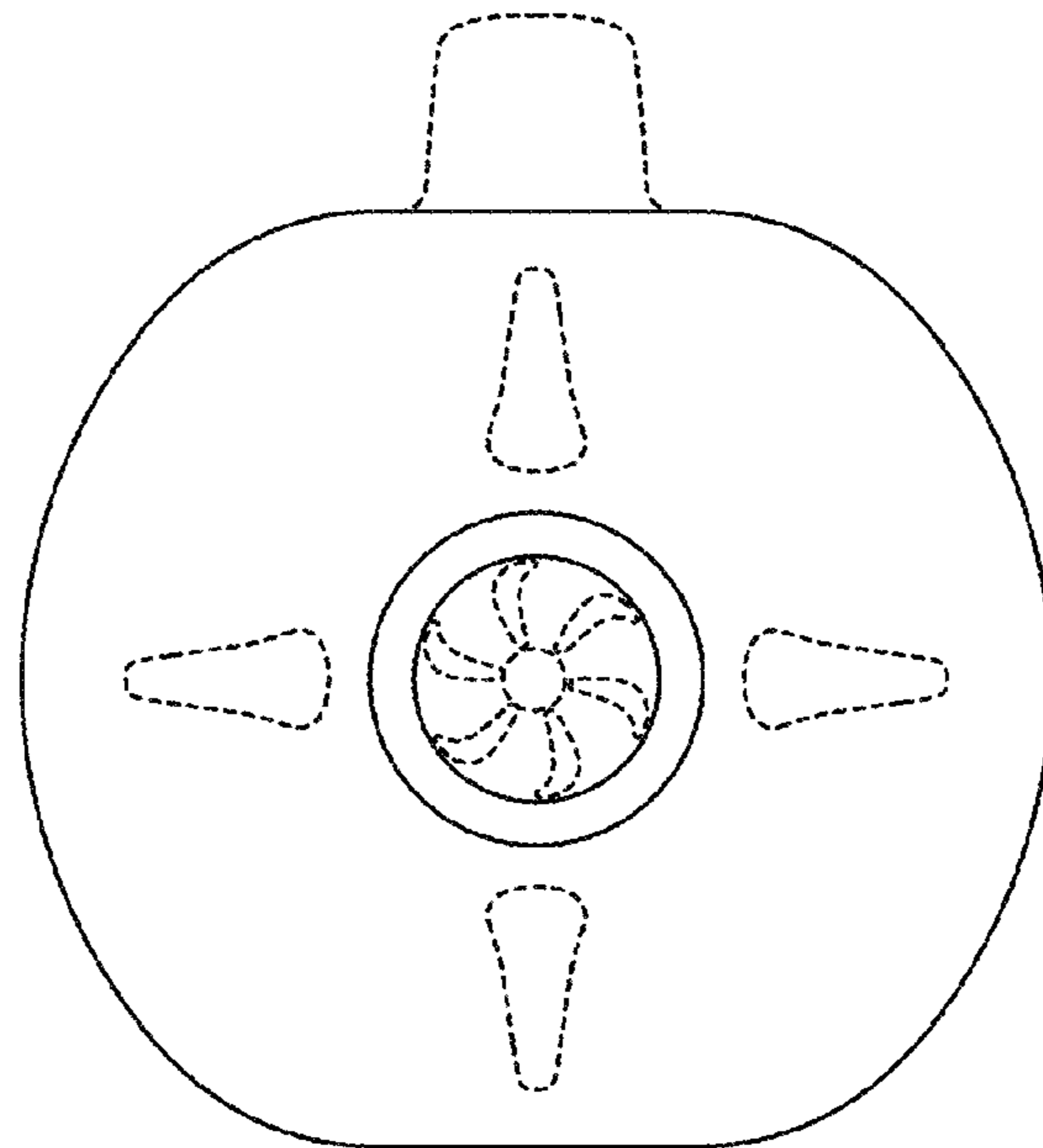


FIG. 3

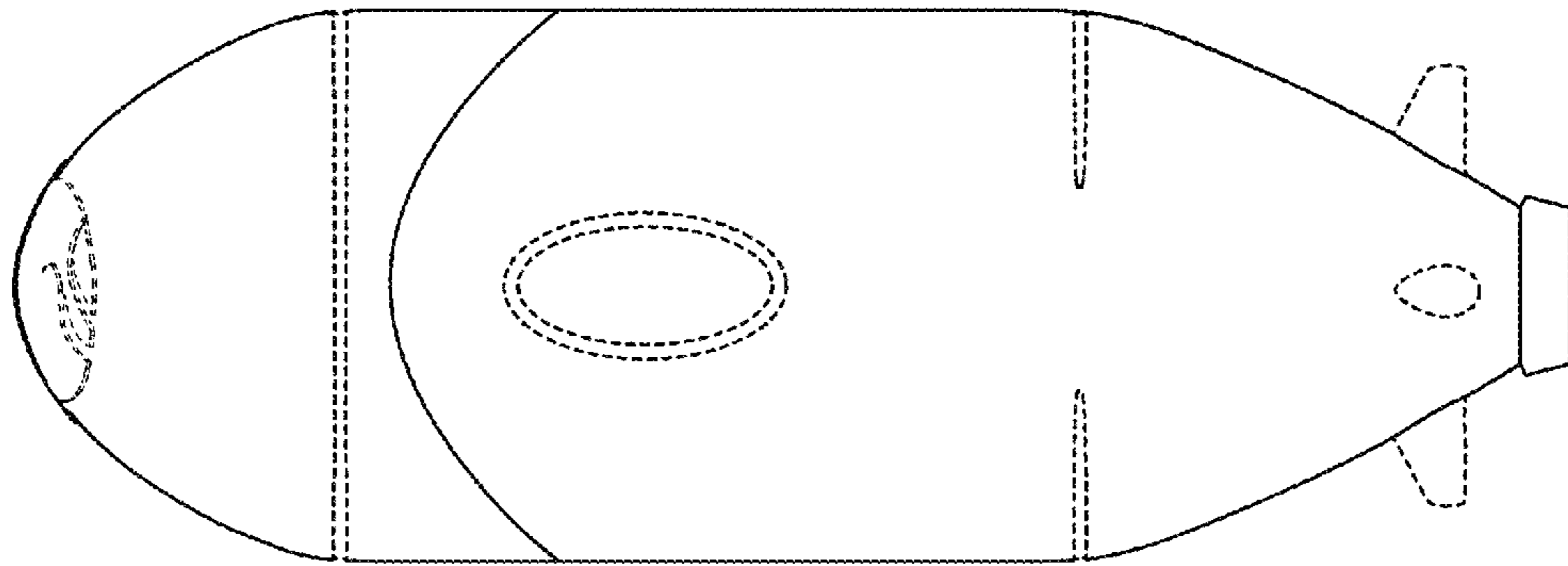


FIG. 4

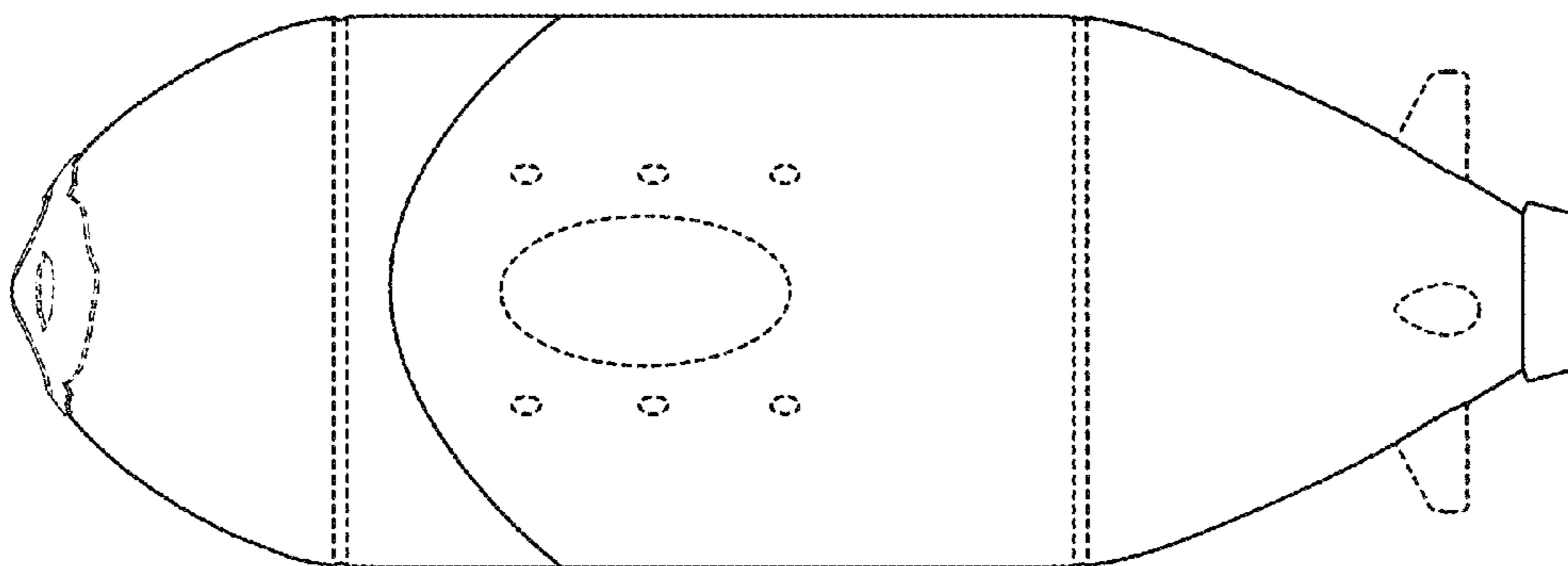


FIG. 5

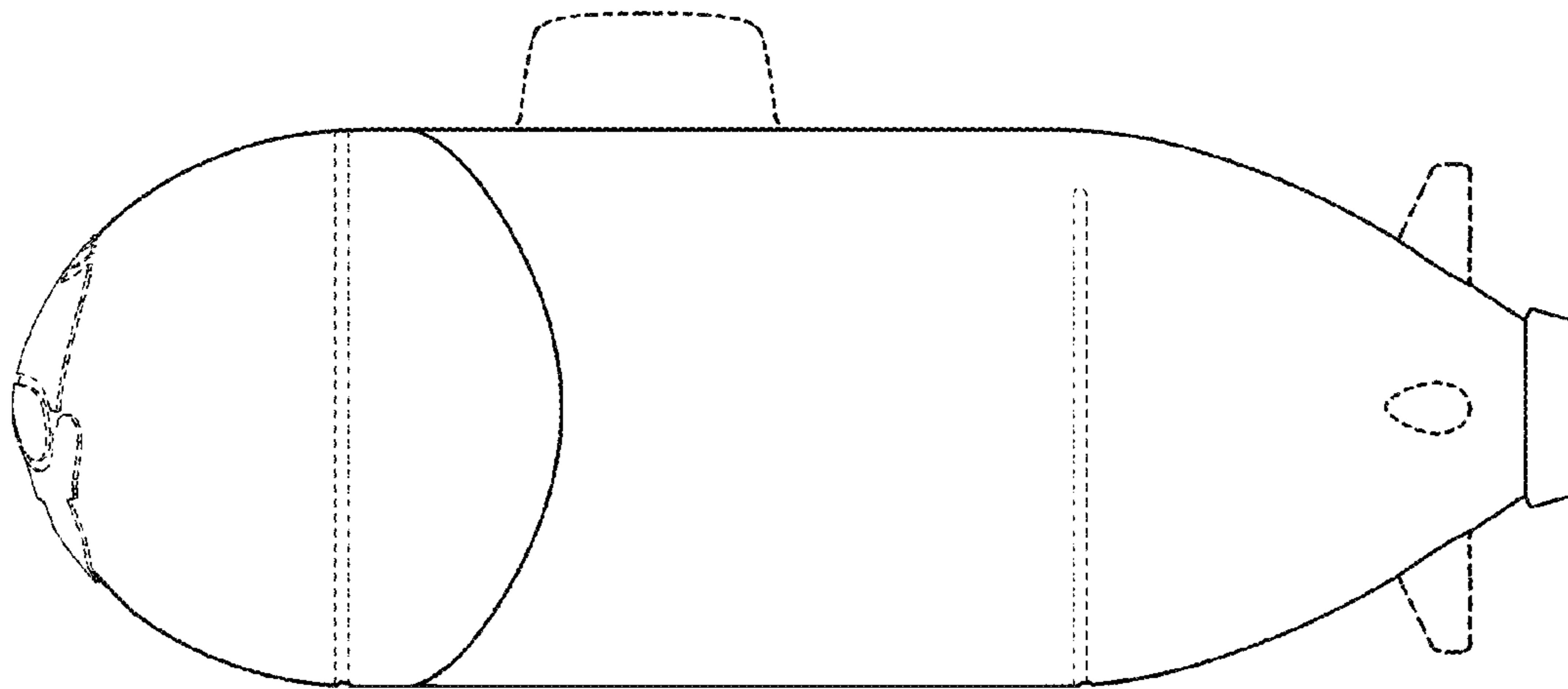


FIG. 6

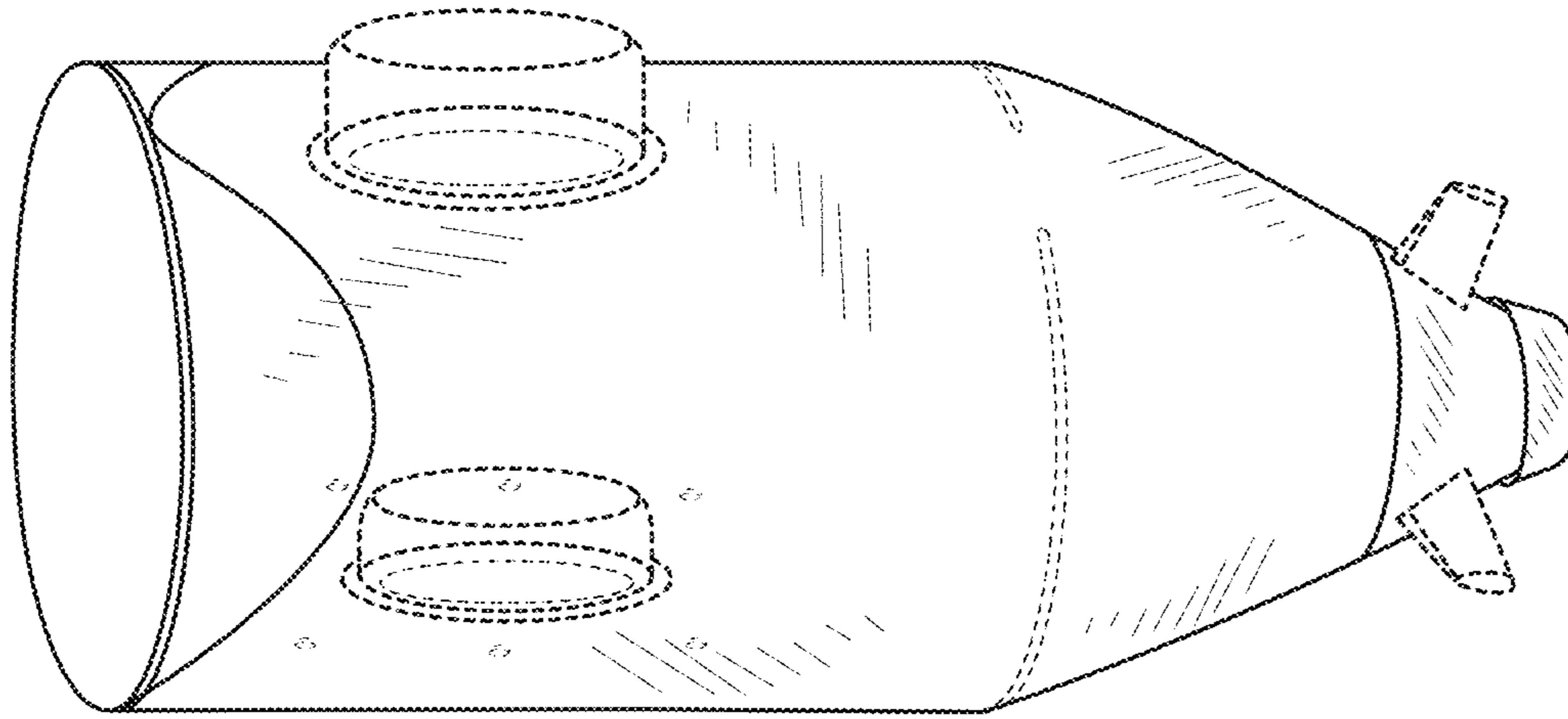


FIG. 7

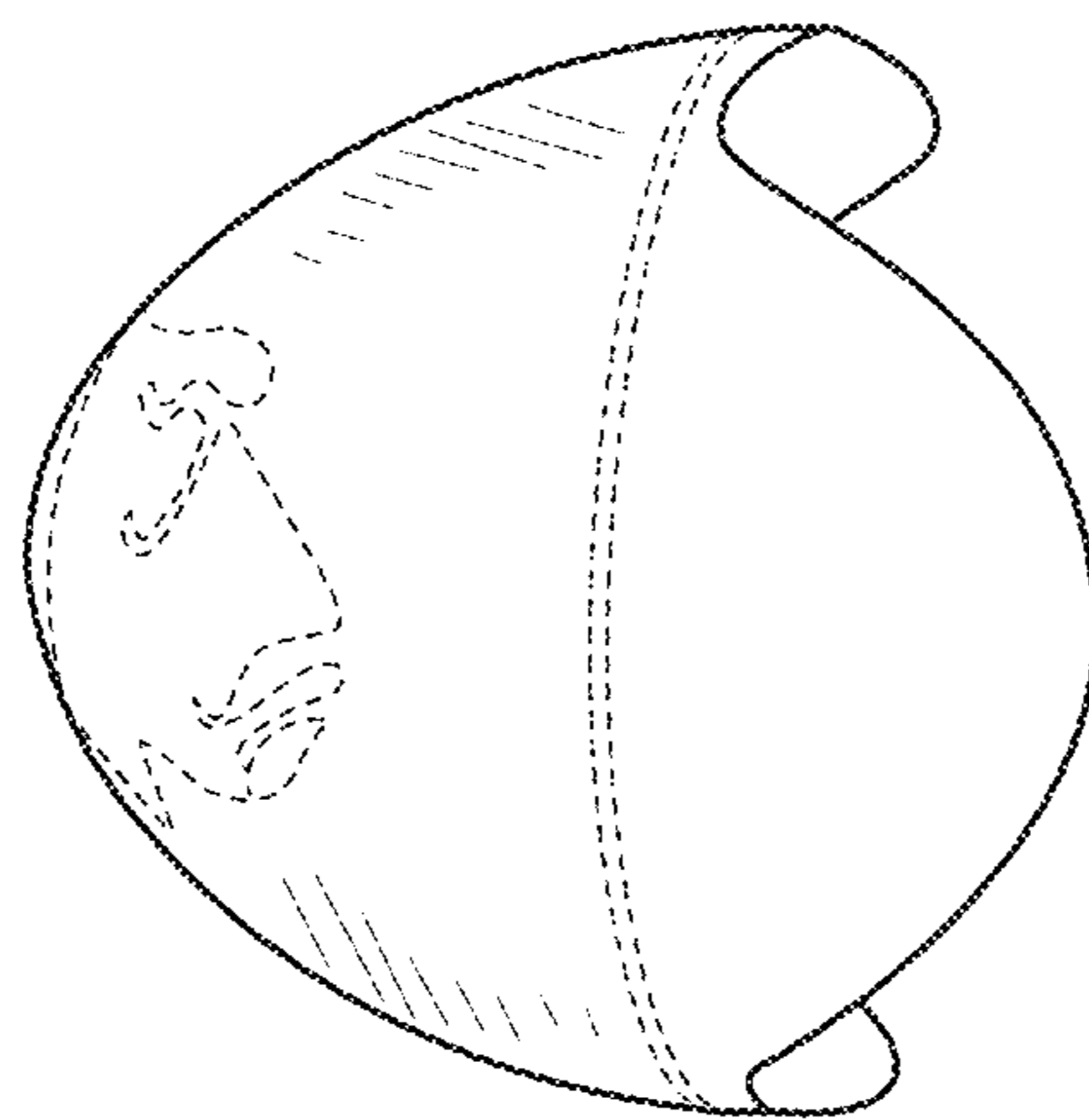


FIG. 8