



US00D770766S

(12) **United States Design Patent** (10) **Patent No.:** **US D770,766 S**
Slimane (45) **Date of Patent:** **** Nov. 8, 2016**

(54) **HANDBAG**
(71) Applicant: **YVES SAINT LAURENT**, Paris (FR)
(72) Inventor: **Hedi Slimane**, City of West Hollywood, CA (US)
(73) Assignee: **YVES SAINT LAURENT**, Paris (FR)
(**) Term: **15 Years**
(21) Appl. No.: **29/530,456**

Primary Examiner — Holly Baynham
(74) *Attorney, Agent, or Firm* — Donald J. Ranft; Collen IP

(22) Filed: **Jun. 17, 2015**
(51) **LOC (10) Cl.** **03-01**
(52) **U.S. Cl.**
USPC **D3/243**
(58) **Field of Classification Search**
USPC D3/232-233, 240-243, 245-246
CPC A45C 1/024; A45C 3/06
See application file for complete search history.

(57) **CLAIM**
The ornamental design for a handbag, as shown and described.

DESCRIPTION

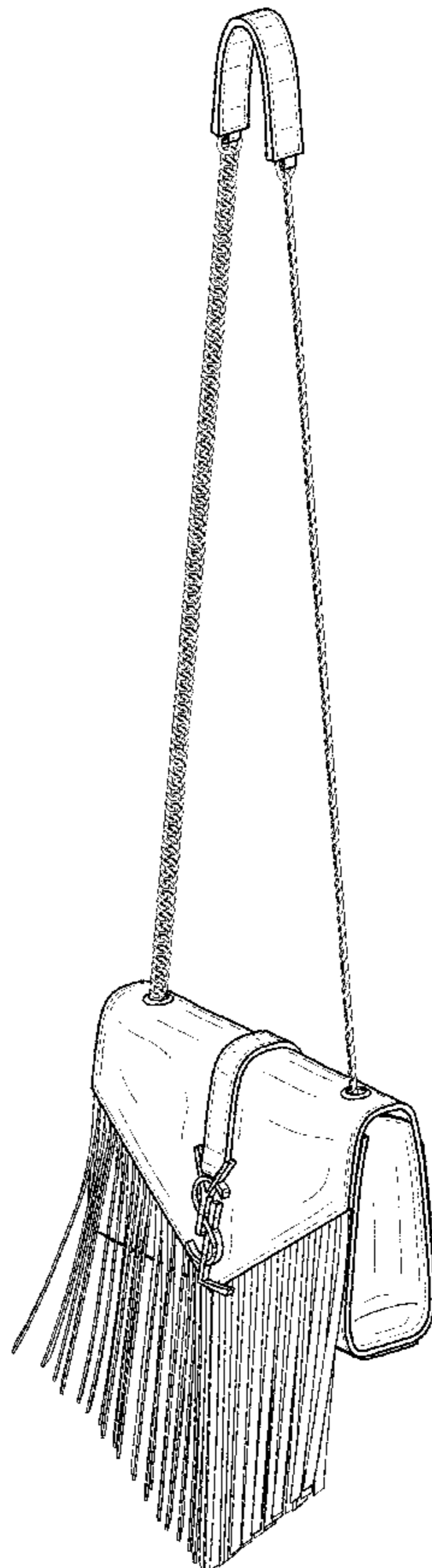
FIG. 1 is a front right perspective view of a handbag showing my new design;
FIG. 2 is a rear right perspective view thereof;
FIG. 3 is a front left perspective view with the chain retracted thereof;
FIG. 4 is a top view with the chain retracted thereof;
FIG. 5 is a bottom view with the chain retracted thereof;
FIG. 6 is a left side view with the chain retracted thereof;
FIG. 7 is a right side view with the chain retracted thereof;
FIG. 8 is a front view with the chain extended thereof;
FIG. 9 is a rear view with the chain retracted thereof; and,
FIG. 10 is a top perspective view with flap open with chain thereof.

The portions of the handbag shown in dashed lines represent stitches.

(56) **References Cited**
U.S. PATENT DOCUMENTS
D368,367 S * 4/1996 Sharp D3/226
D555,899 S * 11/2007 Spagnuolo D3/232
D583,555 S * 12/2008 Kwei D3/232
D597,306 S * 8/2009 Hong D3/245

* cited by examiner

1 Claim, 9 Drawing Sheets



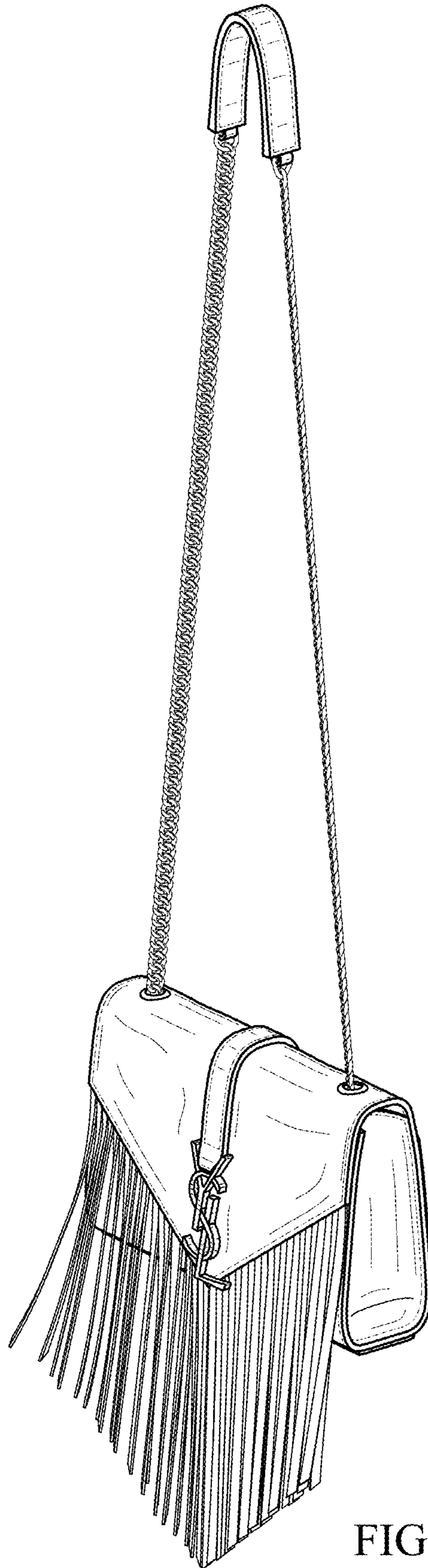


FIG. 1

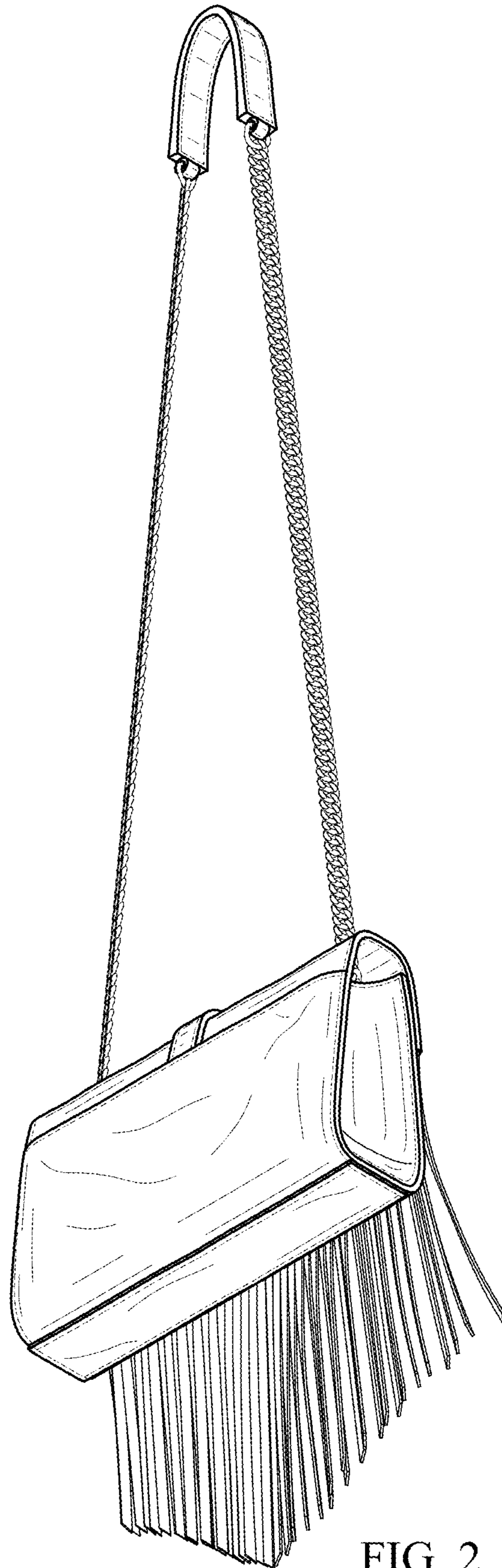


FIG. 2

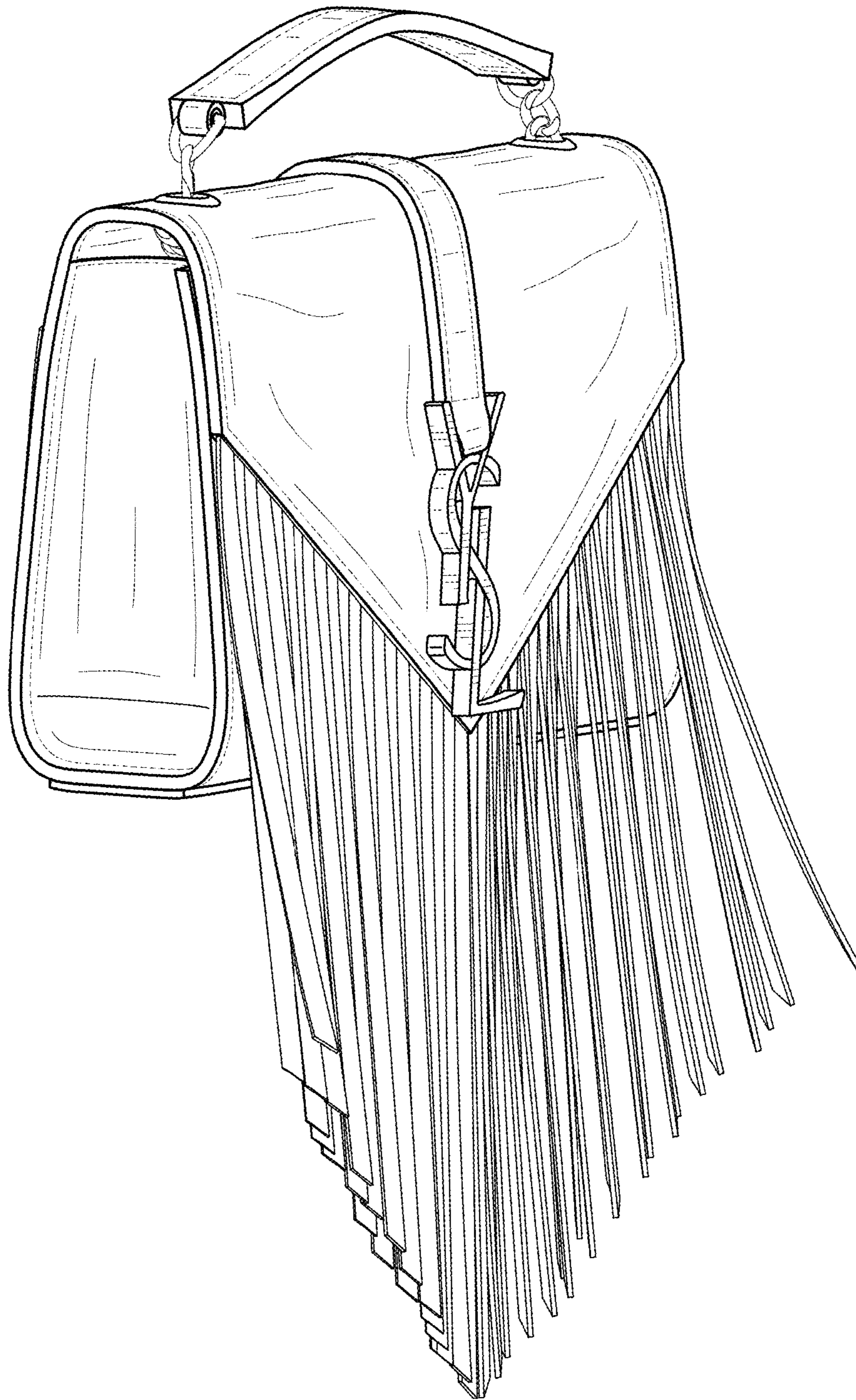


FIG. 3

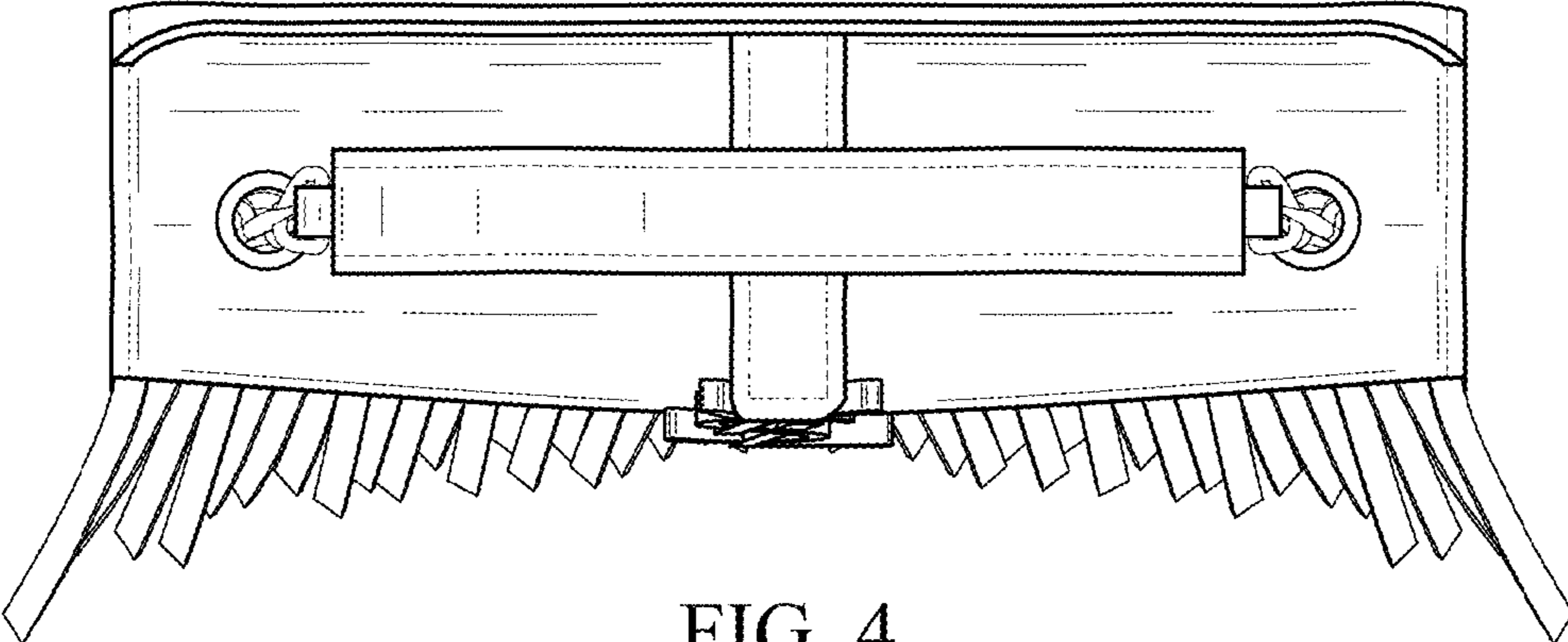


FIG. 4

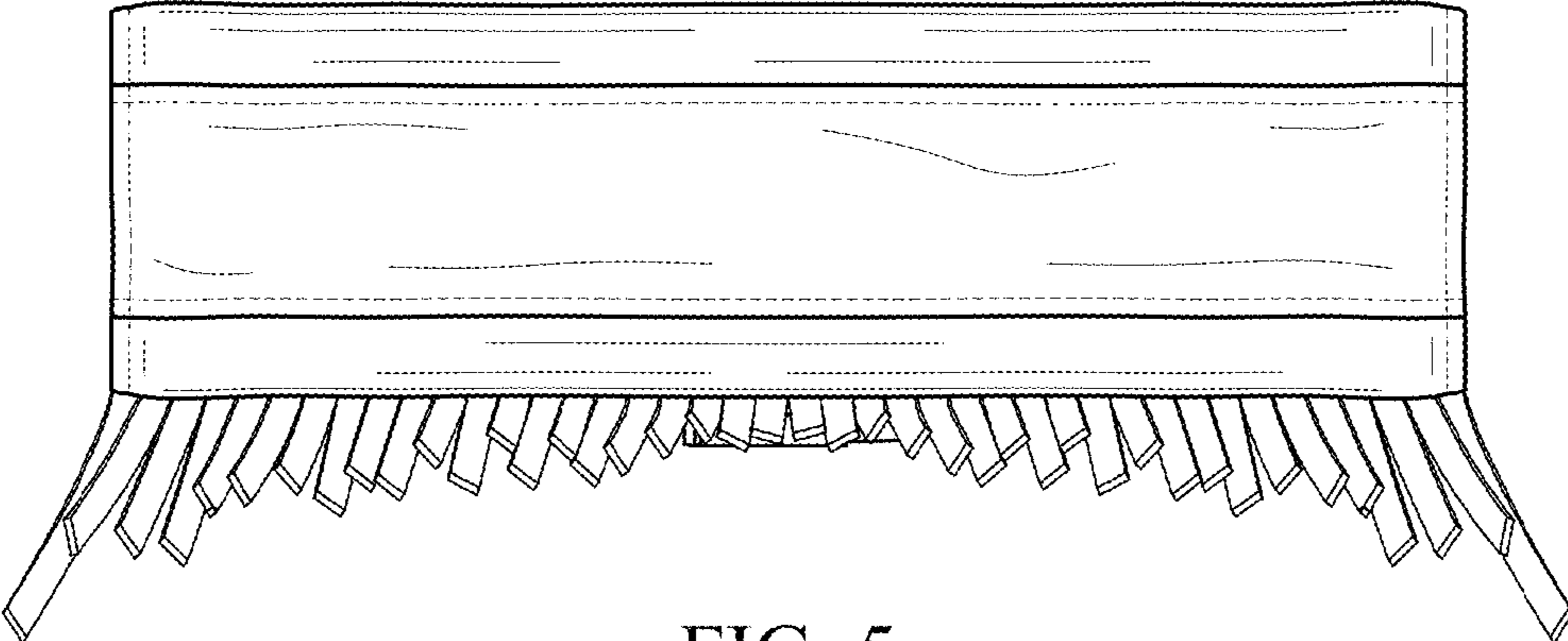


FIG. 5

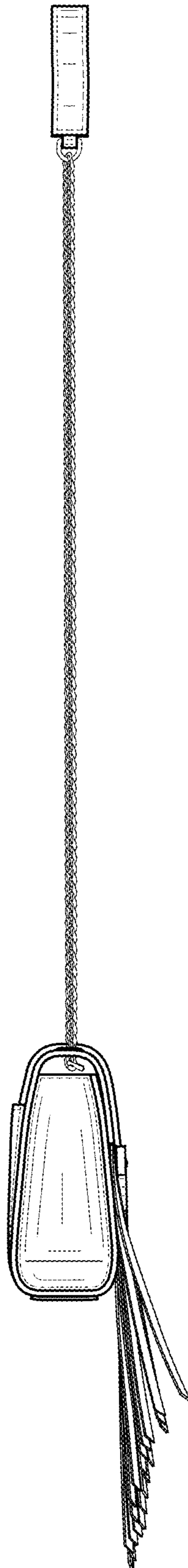


FIG. 6

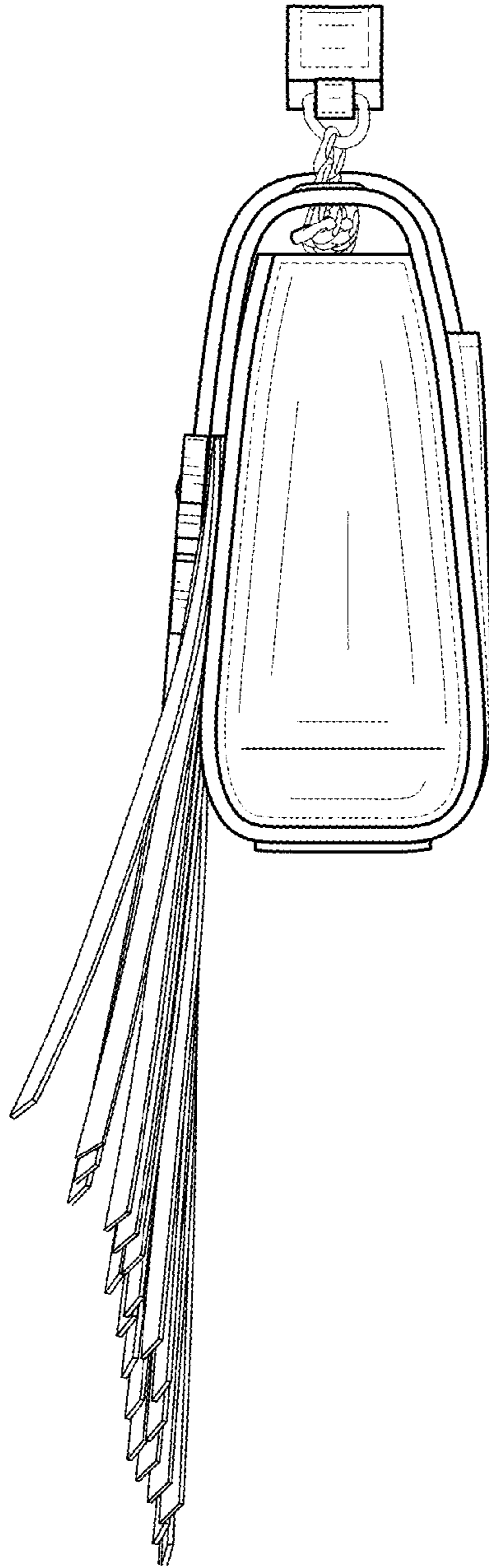


FIG. 7

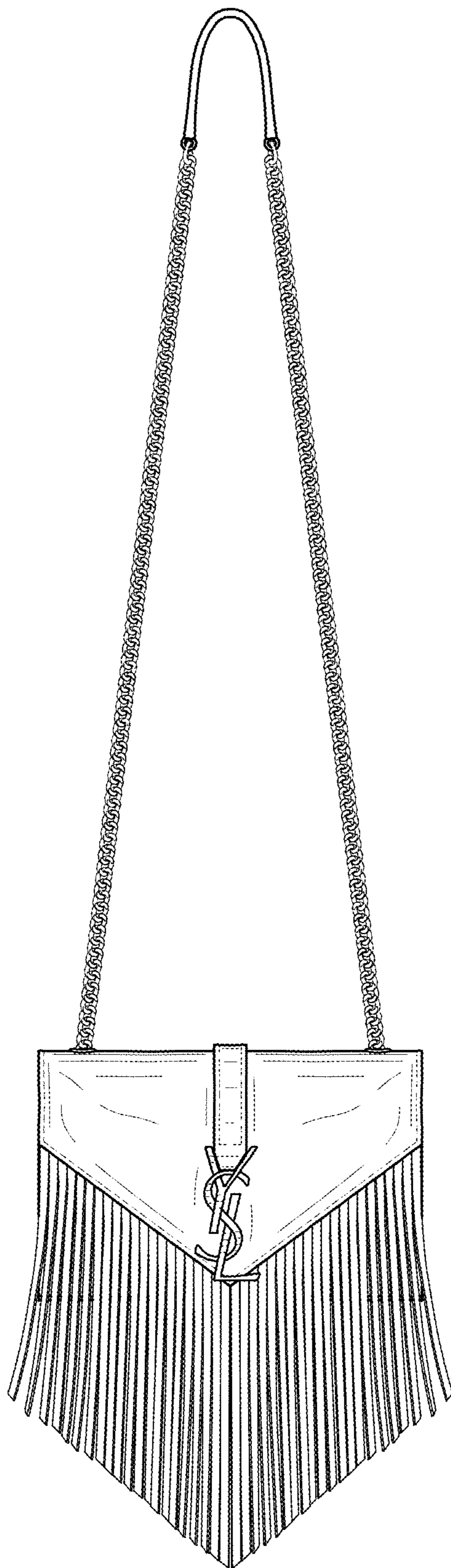


FIG. 8

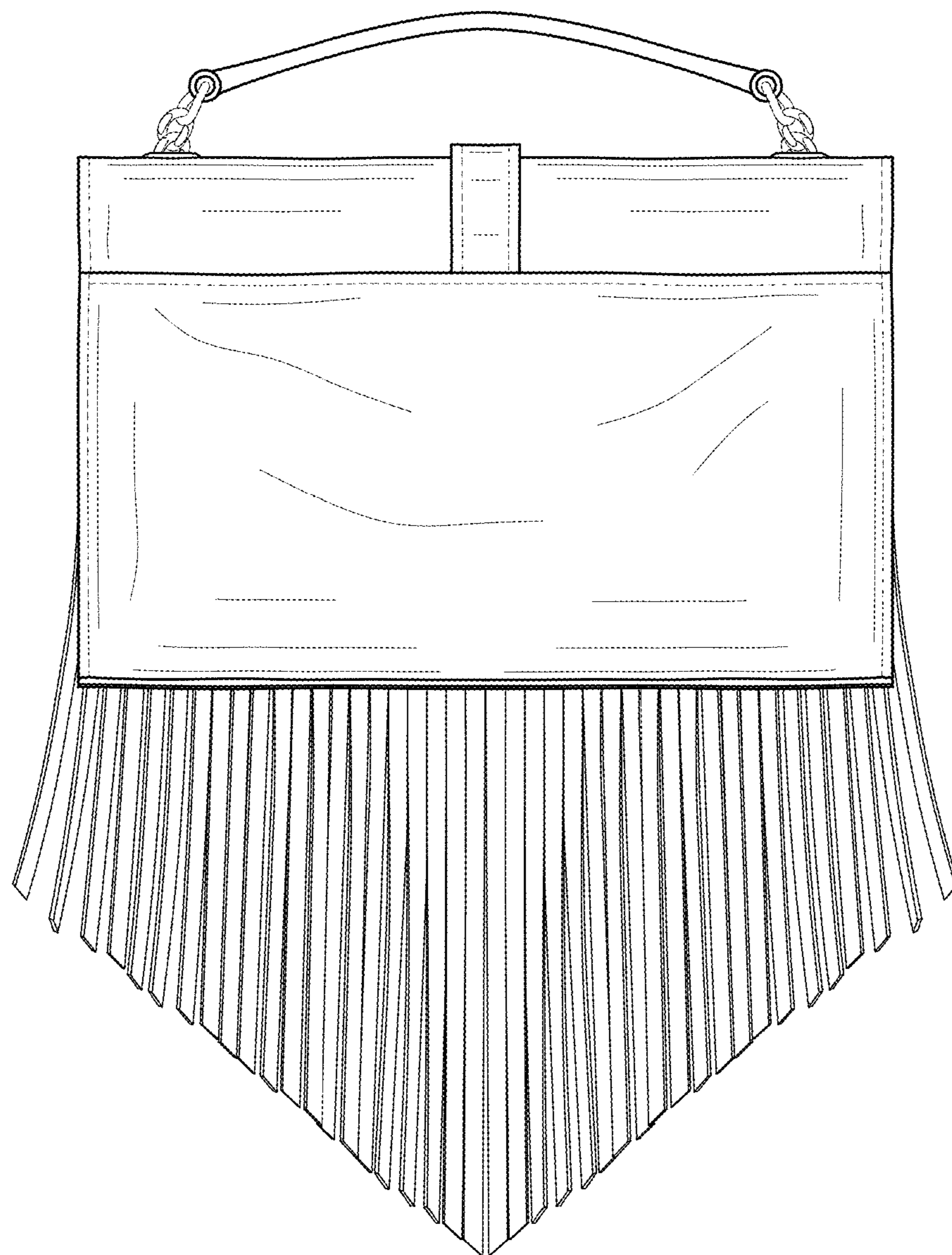


FIG. 9

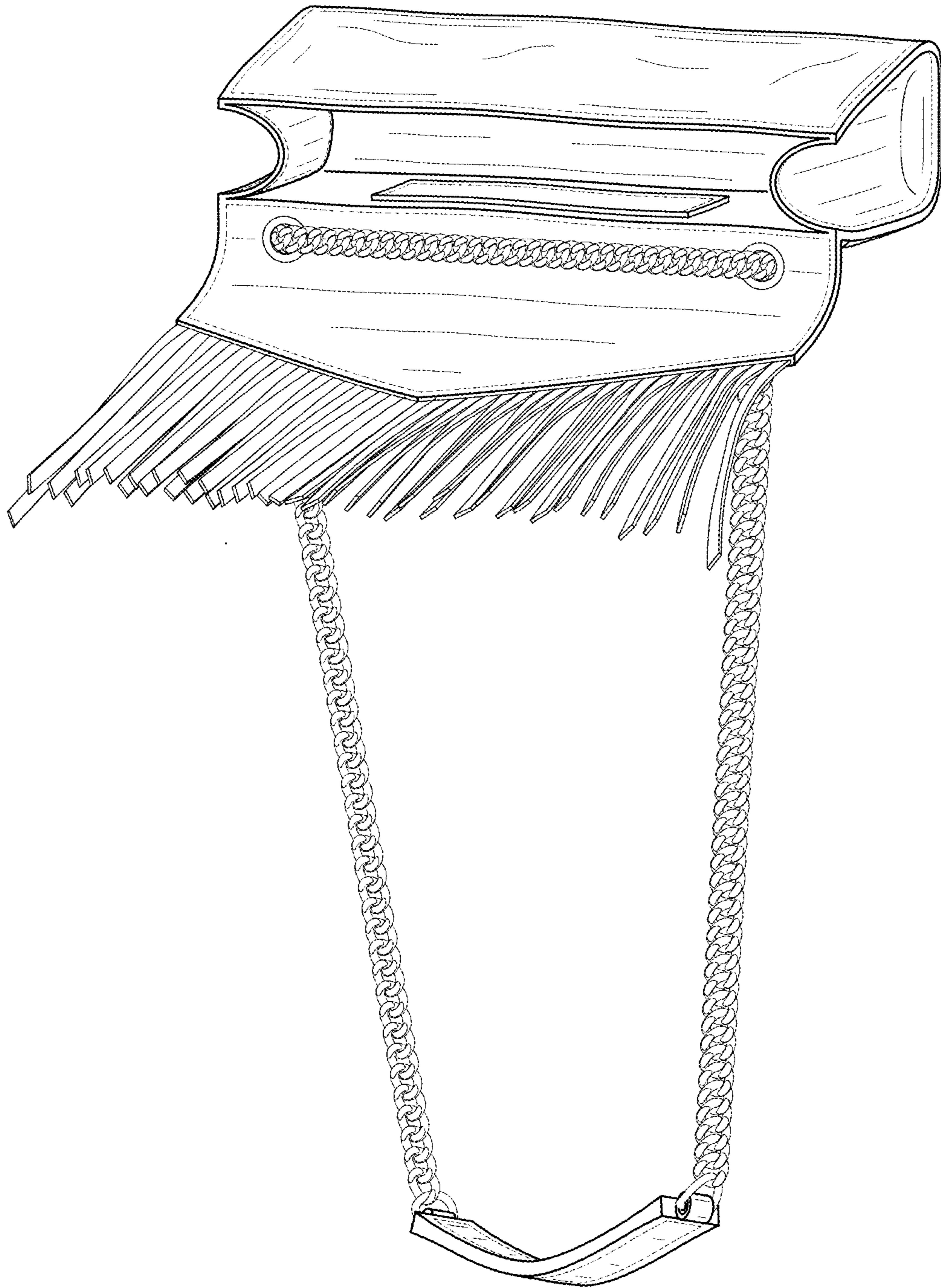


FIG. 10