



US00D770762S

(12) **United States Design Patent** (10) **Patent No.:** **US D770,762 S**
Mathews, Jr. (45) **Date of Patent:** **** Nov. 8, 2016**

(54) **DUAL TOOL RETRACTABLE HOLSTER FOR A HARNESS**

(71) Applicant: **D B Industries, LLC**, Red Wing, MN (US)

(72) Inventor: **William J. Mathews, Jr.**, Woodstock, GA (US)

(73) Assignee: **D B Industries, LLC**, Red Wing, MN (US)

(**) Term: **14 Years**

(21) Appl. No.: **29/524,945**

(22) Filed: **Apr. 24, 2015**

(51) **LOC (10) Cl.** **03-01**

(52) **U.S. Cl.**
USPC **D3/228**

(58) **Field of Classification Search**

USPC D3/228, 215, 218–219, 224, 226;
206/372–379; 224/162, 183, 665, 672,
224/674–675, 678–681, 240, 245, 904
CPC A45F 3/04; A45F 3/005; A45F 3/14;
A45F 5/00; A45F 5/02; A45F 2200/05;
A45F 2200/0575; B25H 3/00

See application file for complete search history.

(56) **References Cited**

U.S. PATENT DOCUMENTS

D676,234 S *	2/2013	Moreau	D3/228
D692,231 S *	10/2013	Moreau	D3/228
D704,435 S *	5/2014	Moreau	D3/228
D705,536 S *	5/2014	Moreau	D3/228
D707,962 S *	7/2014	Moreau	D3/228

* cited by examiner

Primary Examiner — Catheri Oliver-Garcia

(74) *Attorney, Agent, or Firm* — Dicke, Billig & Czaja, PLLC

(57) **CLAIM**

The ornamental design for the dual tool retractable holster for a harness, as shown and described.

DESCRIPTION

FIG. 1 is a perspective view of our new dual tool retractable holster for a harness;

FIG. 2 is a front elevational view thereof;

FIG. 3 is a rear elevational view thereof;

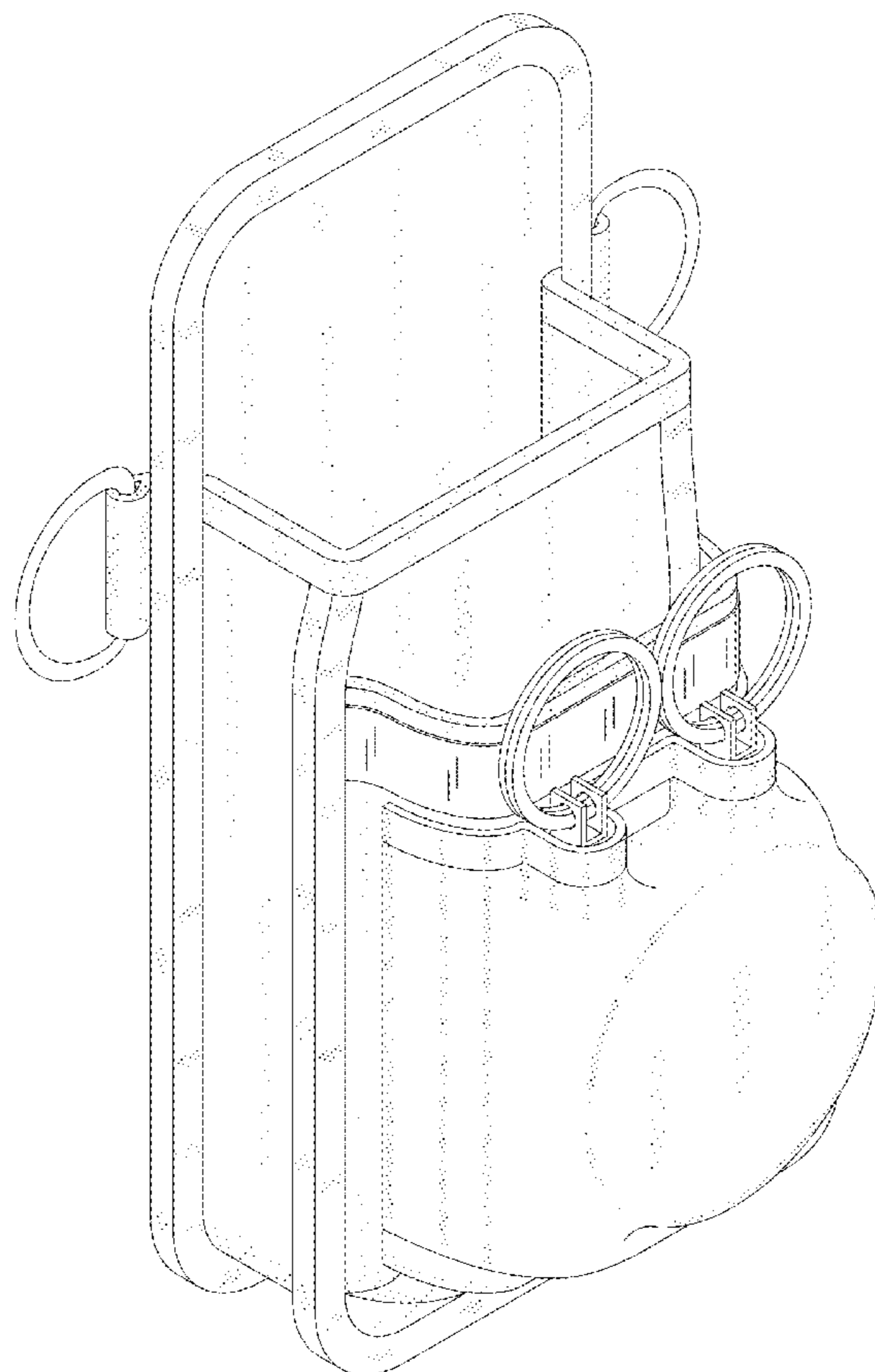
FIG. 4 is a right side elevational view thereof;

FIG. 5 is a left side elevational view thereof;

FIG. 6 is a top plan view thereof; and,

FIG. 7 is a bottom plan view thereof.

1 Claim, 6 Drawing Sheets



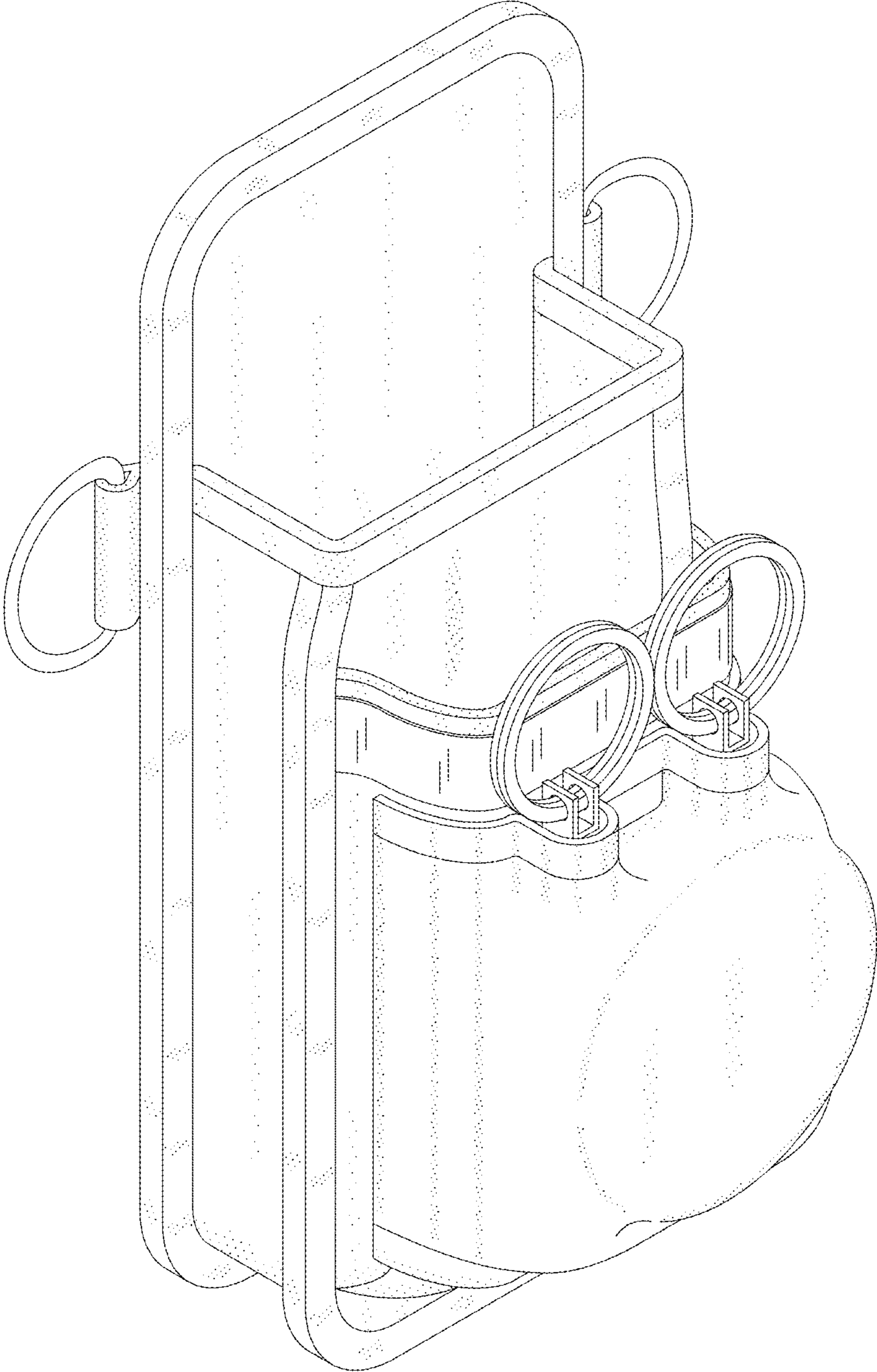


FIG. 1

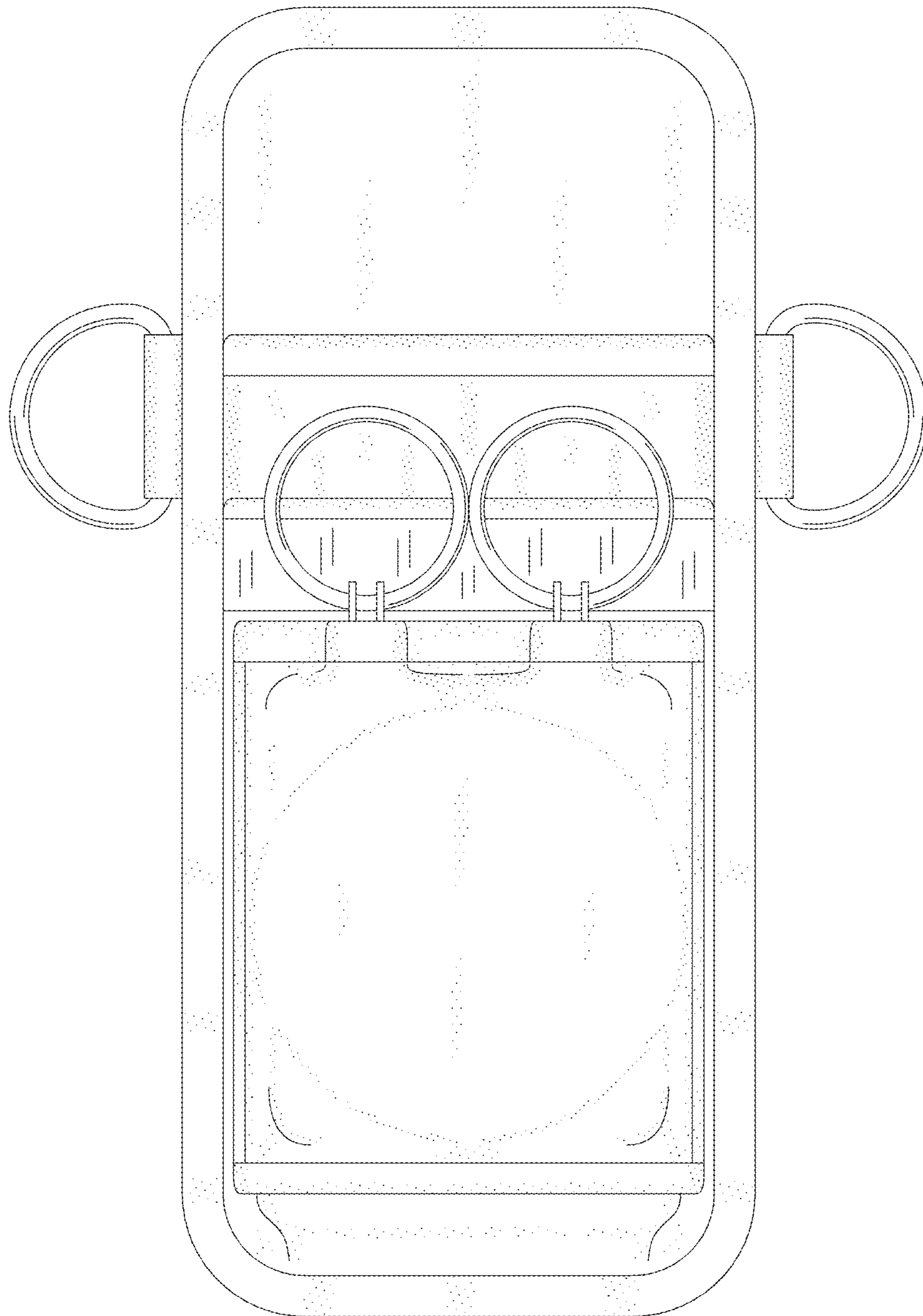


FIG. 2

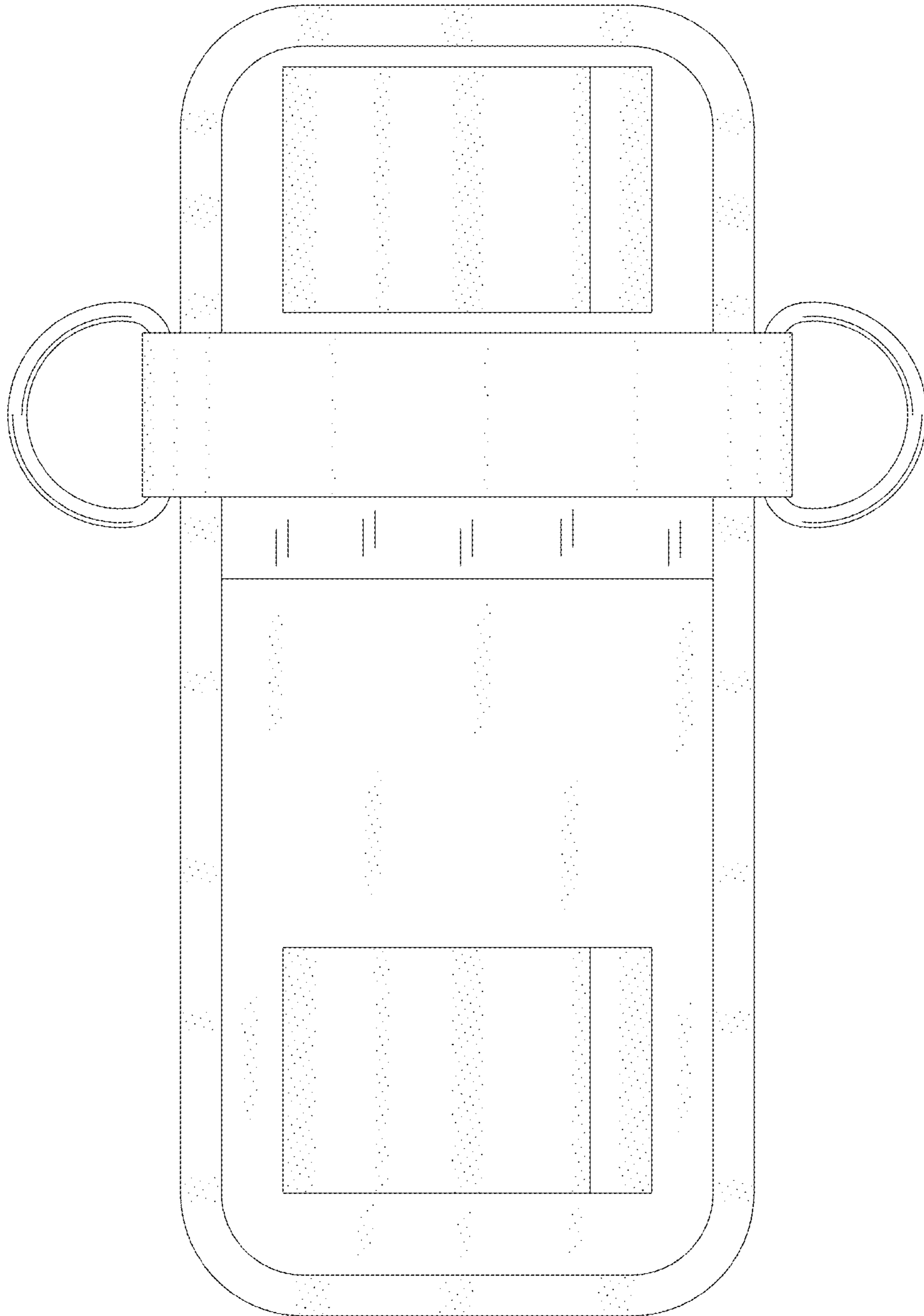


FIG. 3

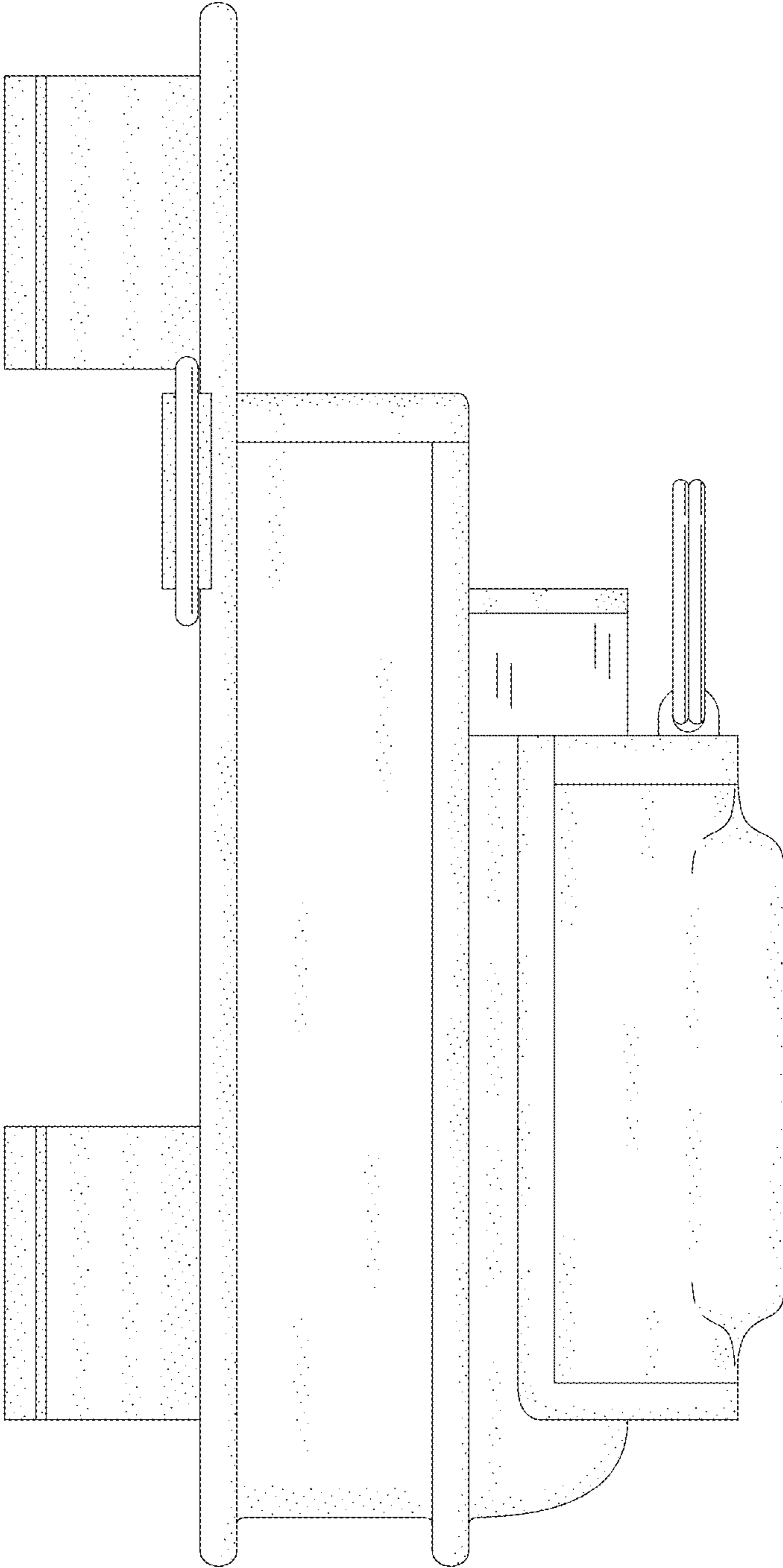


FIG. 4

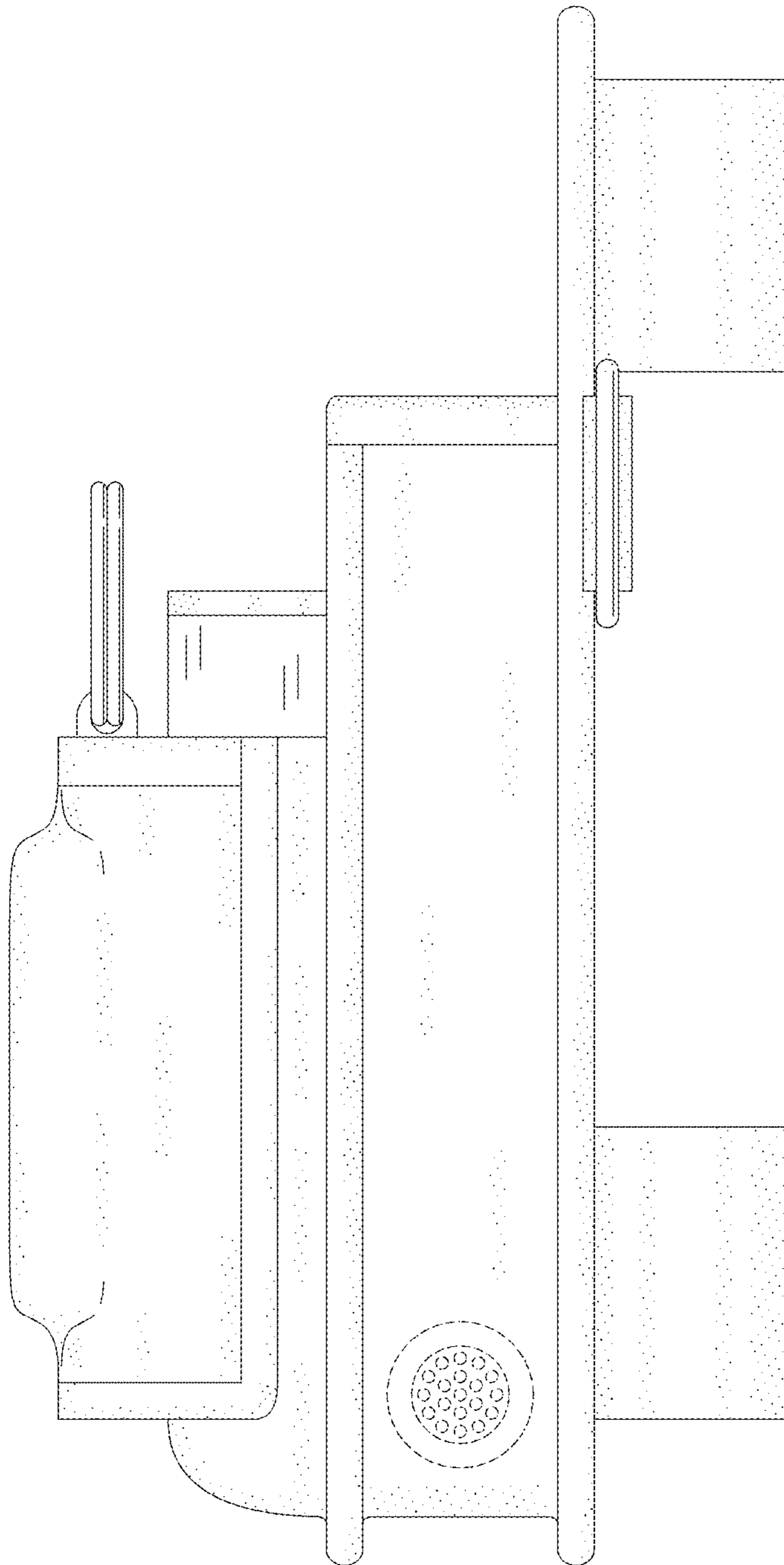


FIG. 5

FIG. 6

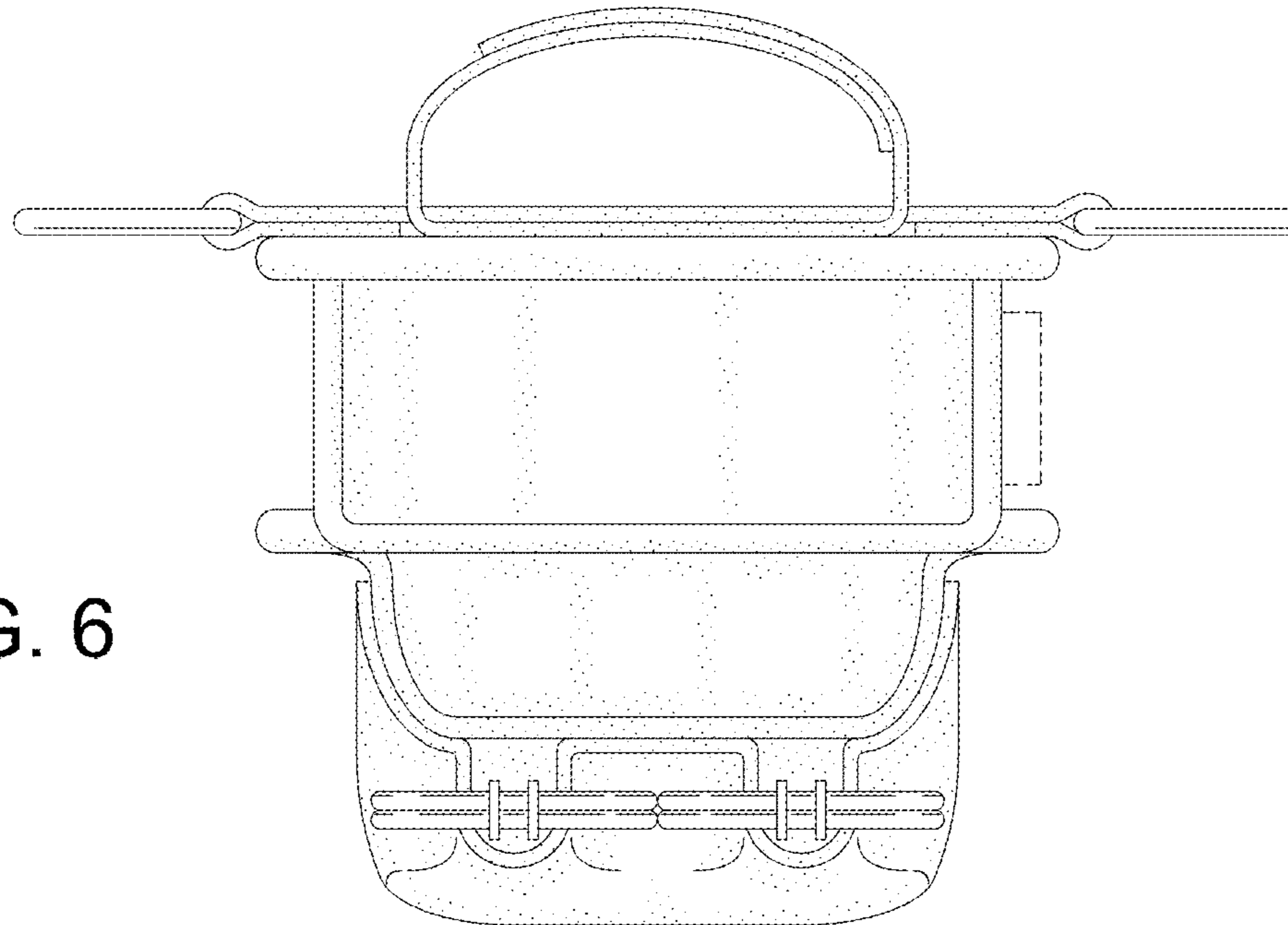


FIG. 7

