



US00D770760S

(12) **United States Design Patent**
Chapin et al.

(10) **Patent No.:** **US D770,760 S**
(45) **Date of Patent:** **** Nov. 8, 2016**

(54) **WEARABLE SEMIOCHEMICAL RETAINER**

D706,531 S * 6/2014 Park D3/215
8,956,635 B2 2/2015 O'Hara
D754,278 S * 4/2016 Finkel D22/119

(71) Applicant: **Sterling International Inc.**, Spokane,
WA (US)

(72) Inventors: **Marc Chapin**, Spokane, WA (US);
Qing-He Zhang, Greenacres, WA (US);
Rodney G. Schneidmiller, Greenacres,
WA (US)

(73) Assignee: **Sterling International Inc.**, Spokane,
WA (US)

(**) Term: **14 Years**

(21) Appl. No.: **29/514,280**

(22) Filed: **Jan. 9, 2015**

(51) **LOC (10) Cl.** **03-01**

(52) **U.S. Cl.**
USPC **D3/215**

(58) **Field of Classification Search**
USPC D3/215; 224/222; 43/1, 114, 121, 131;
119/654, 856-857, 859; 239/36;
D22/119-124; D30/152

CPC A01M 1/14; A01M 1/223; A01M 29/34;
A41F 9/002; A41F 13/001
See application file for complete search history.

(56) **References Cited**

U.S. PATENT DOCUMENTS

1,732,028	A *	10/1929	Reiner	A01M 1/2044
					119/654
5,155,950	A *	10/1992	Burgeson	A01M 1/14
					119/654
D359,926	S *	7/1995	Plummer	D22/122
D505,478	S *	5/2005	Mondelli	D22/122
6,936,269	B2 *	8/2005	Robinson	A01M 29/12
					119/856
7,161,313	B2	1/2007	Piegras		
D605,276	S	12/2009	Beardmore		
7,819,849	B2	10/2010	Dircks		
D702,313	S *	4/2014	Partrat	D22/122
D702,315	S *	4/2014	Partrat	D22/122

OTHER PUBLICATIONS

Hammacher Schlemmer Catalog. The 120 Hour Personal Mosquito Repeller. Printed Jun. 16, 2016 Product available as early as 2012 per customer feedback.*
Zhang, Q.-H., et al., "Semiochemical Retainer," Design U.S. Appl. No. 29/516,645, filed Feb. 4, 2015.

* cited by examiner

Primary Examiner — Catheri Oliver-Garcia

(74) *Attorney, Agent, or Firm* — Christensen O'Connor Johnson Kindness PLLC

(57) **CLAIM**

The ornamental design for a wearable semiochemical retainer, as shown.

DESCRIPTION

FIG. 1 is an upper front right-side perspective view of a wearable semiochemical retainer in accordance with the present design;

FIG. 2 is a lower rear left-side perspective view of the wearable semiochemical retainer shown in FIG. 1;

FIG. 3 is a top view of the wearable semiochemical retainer shown in FIG. 1;

FIG. 4 is a bottom view of the wearable semiochemical retainer shown in FIG. 1;

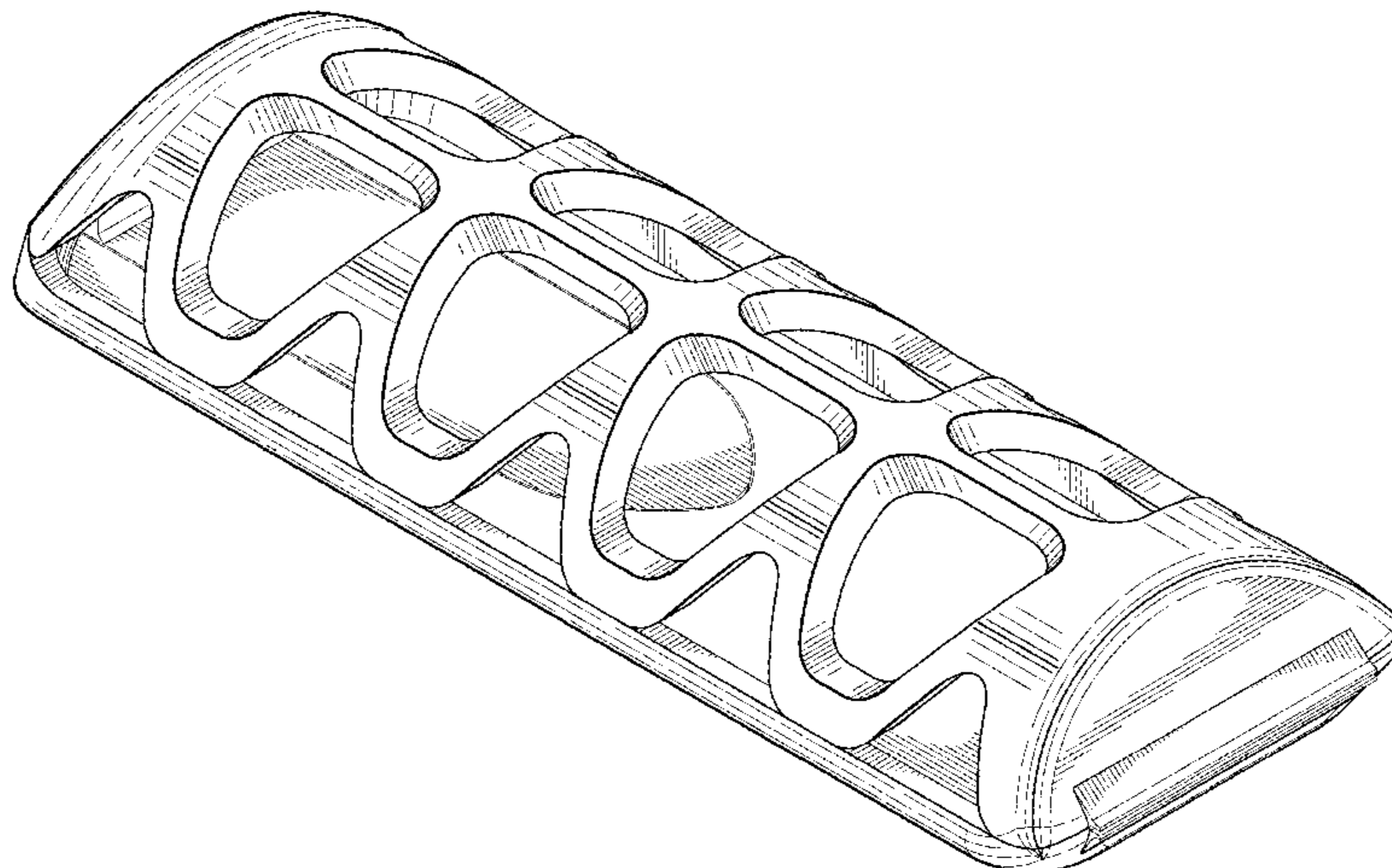
FIG. 5 is a front view of the wearable semiochemical retainer shown in FIG. 1, which is mirror symmetrical with the rear view;

FIG. 6 is a left-side view of the wearable semiochemical retainer shown in FIG. 1;

FIG. 7 is a right-side view of the wearable semiochemical retainer shown in FIG. 1; and,

FIG. 8 is a perspective view showing the wearable semiochemical retainer shown in FIG. 1 in an open position.

1 Claim, 6 Drawing Sheets



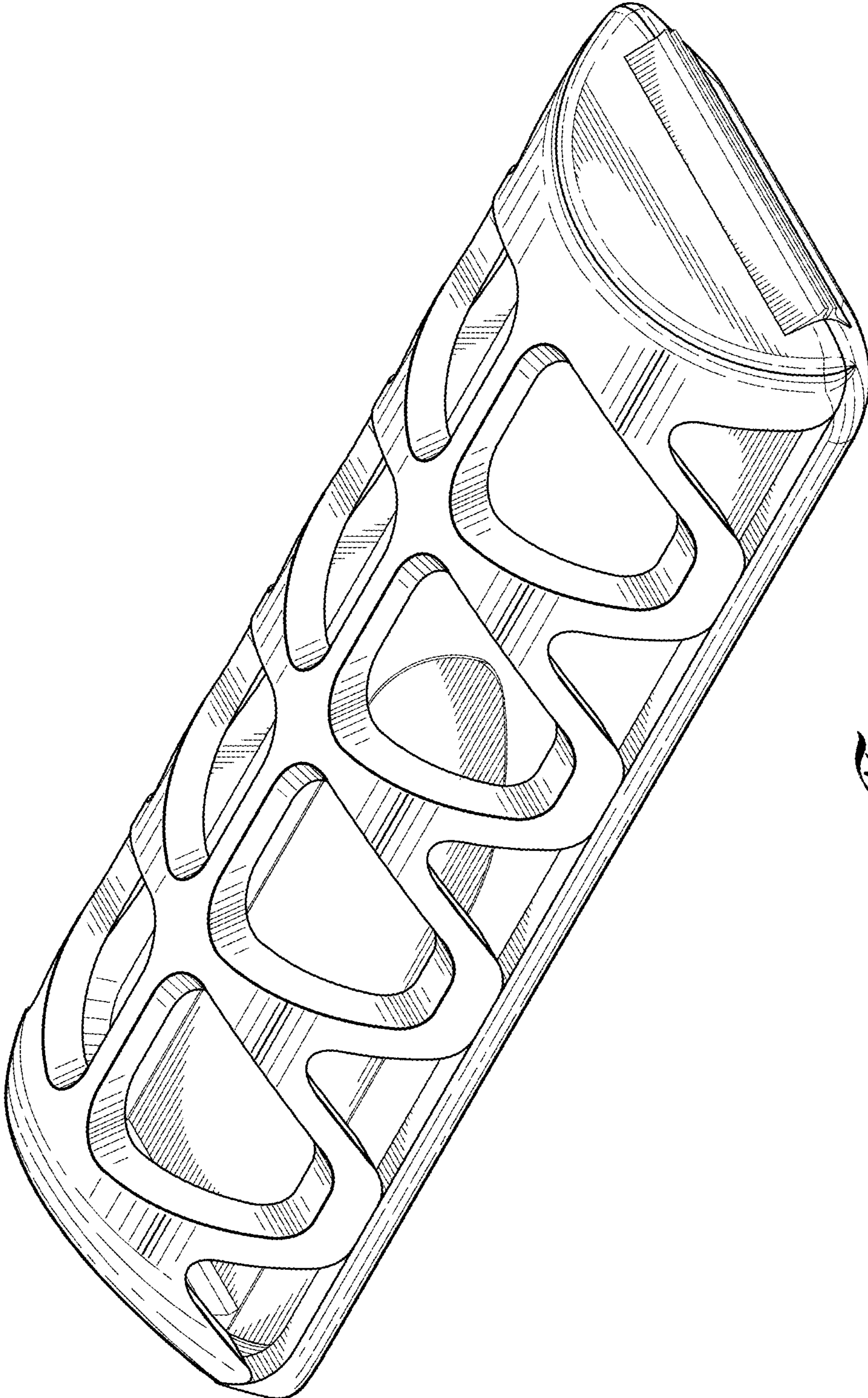


Fig. 1.

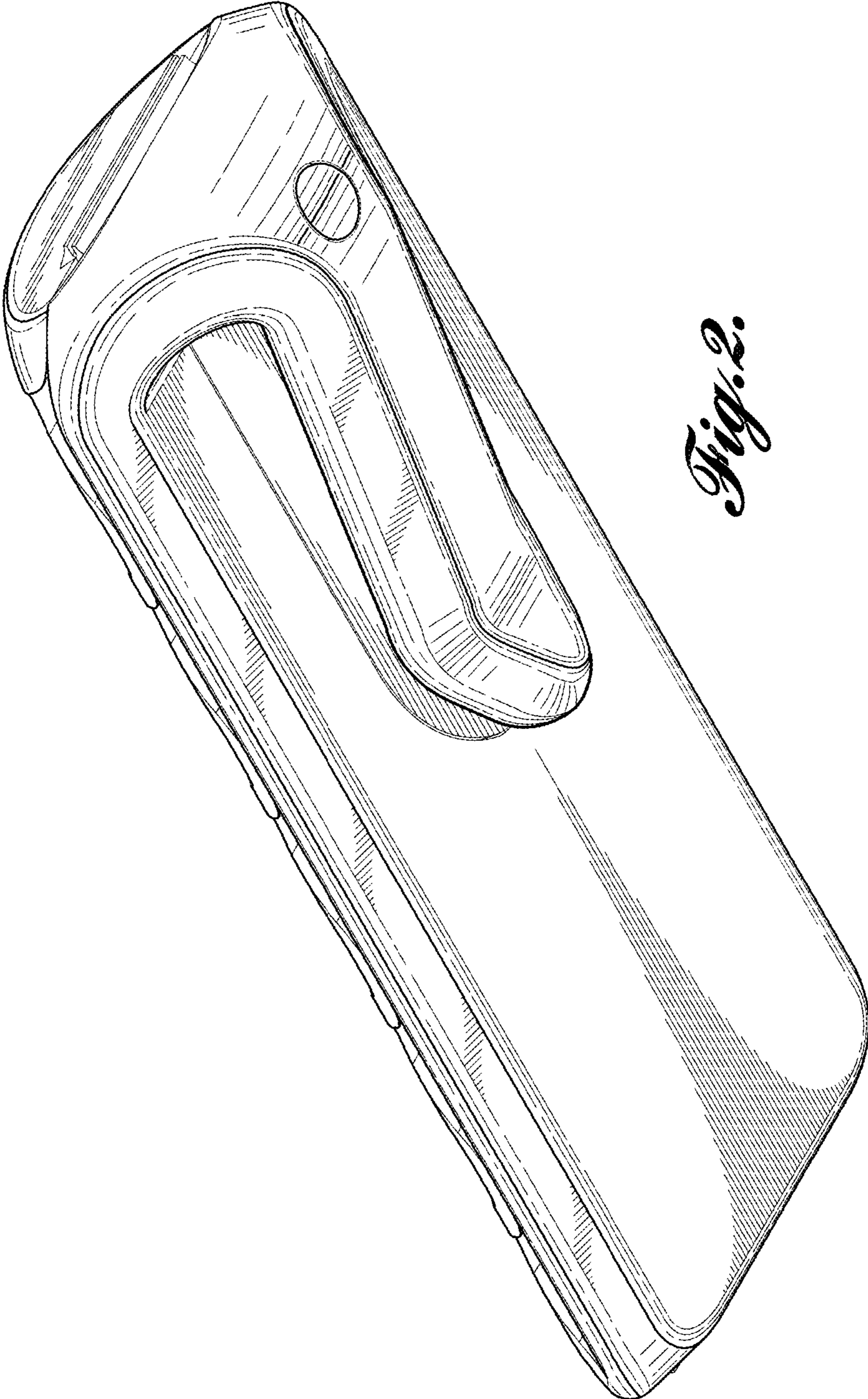


Fig. 2.

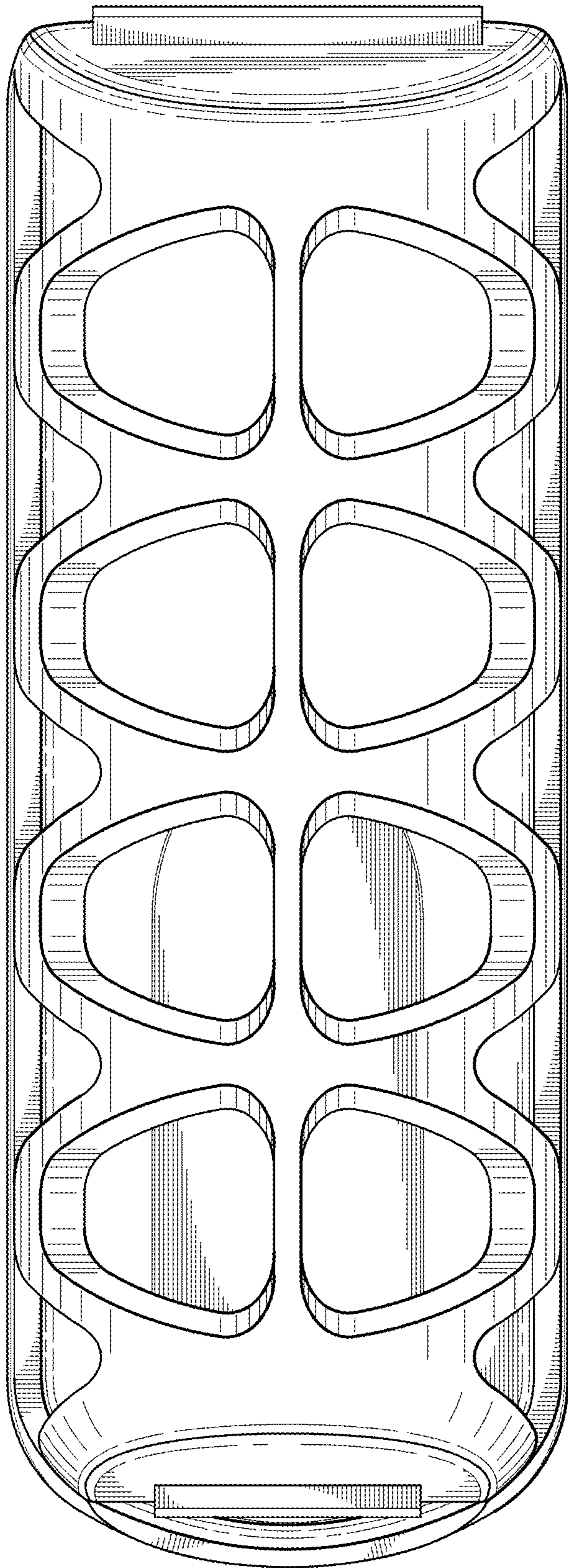


Fig. 3.

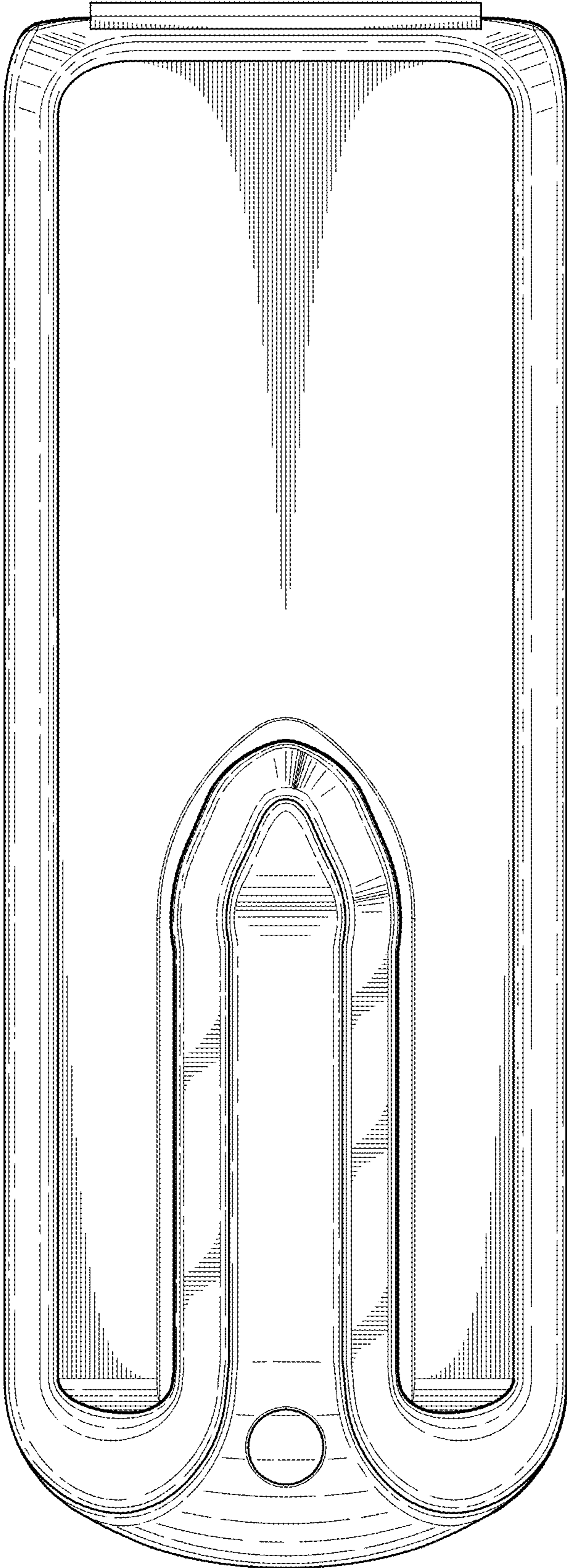


Fig. 4.

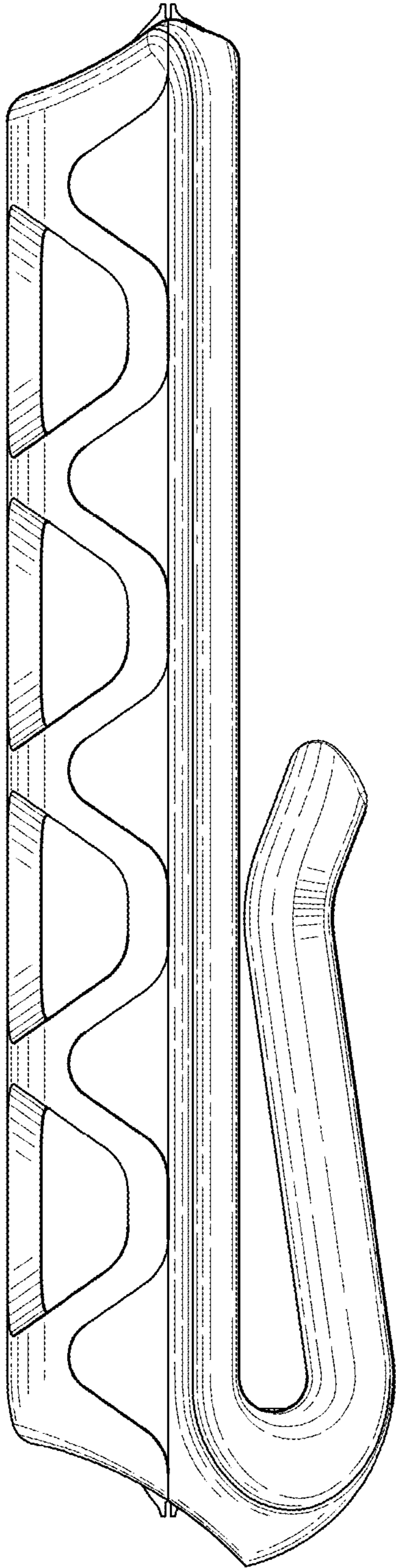


Fig. 5.

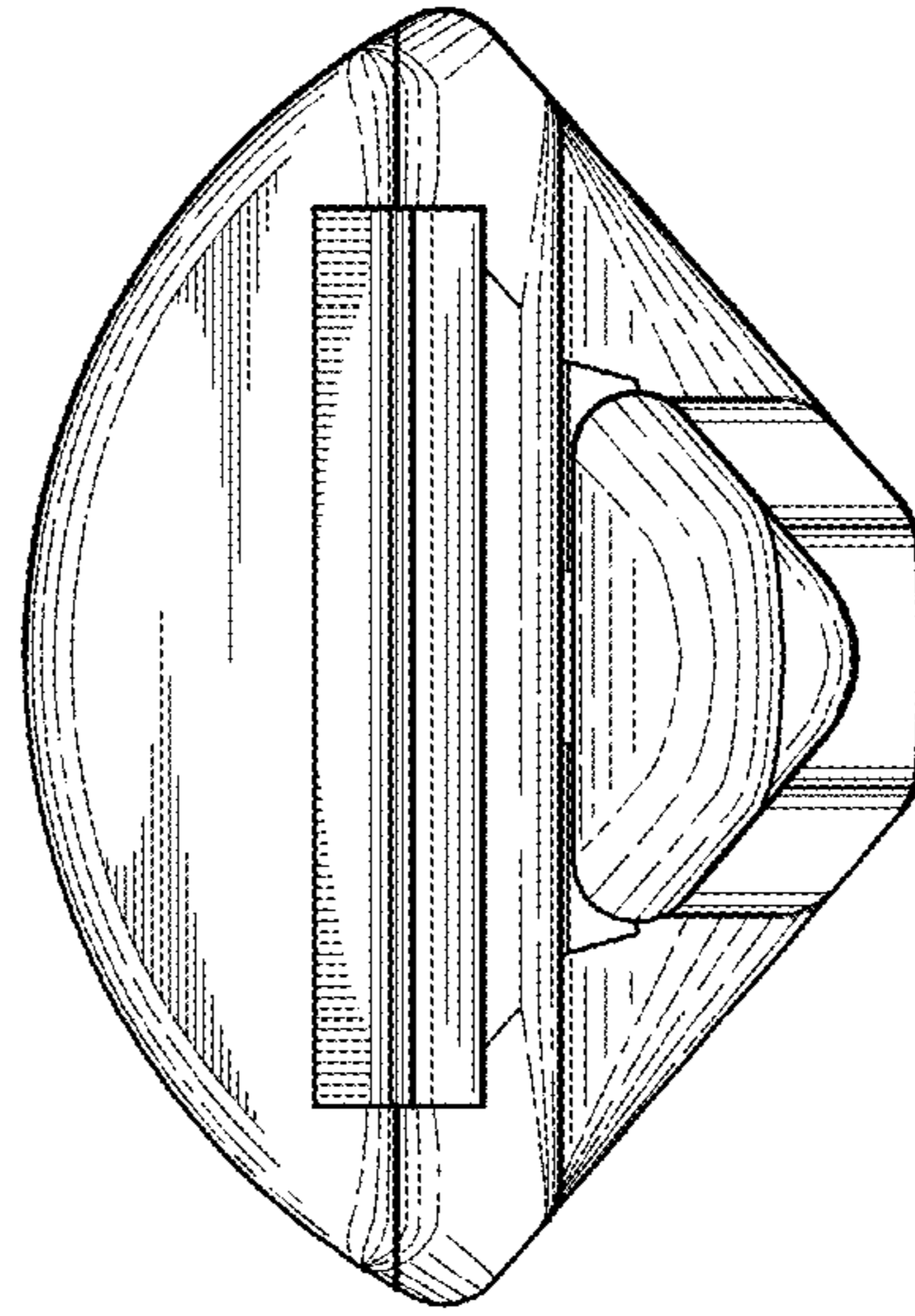


Fig. 7.

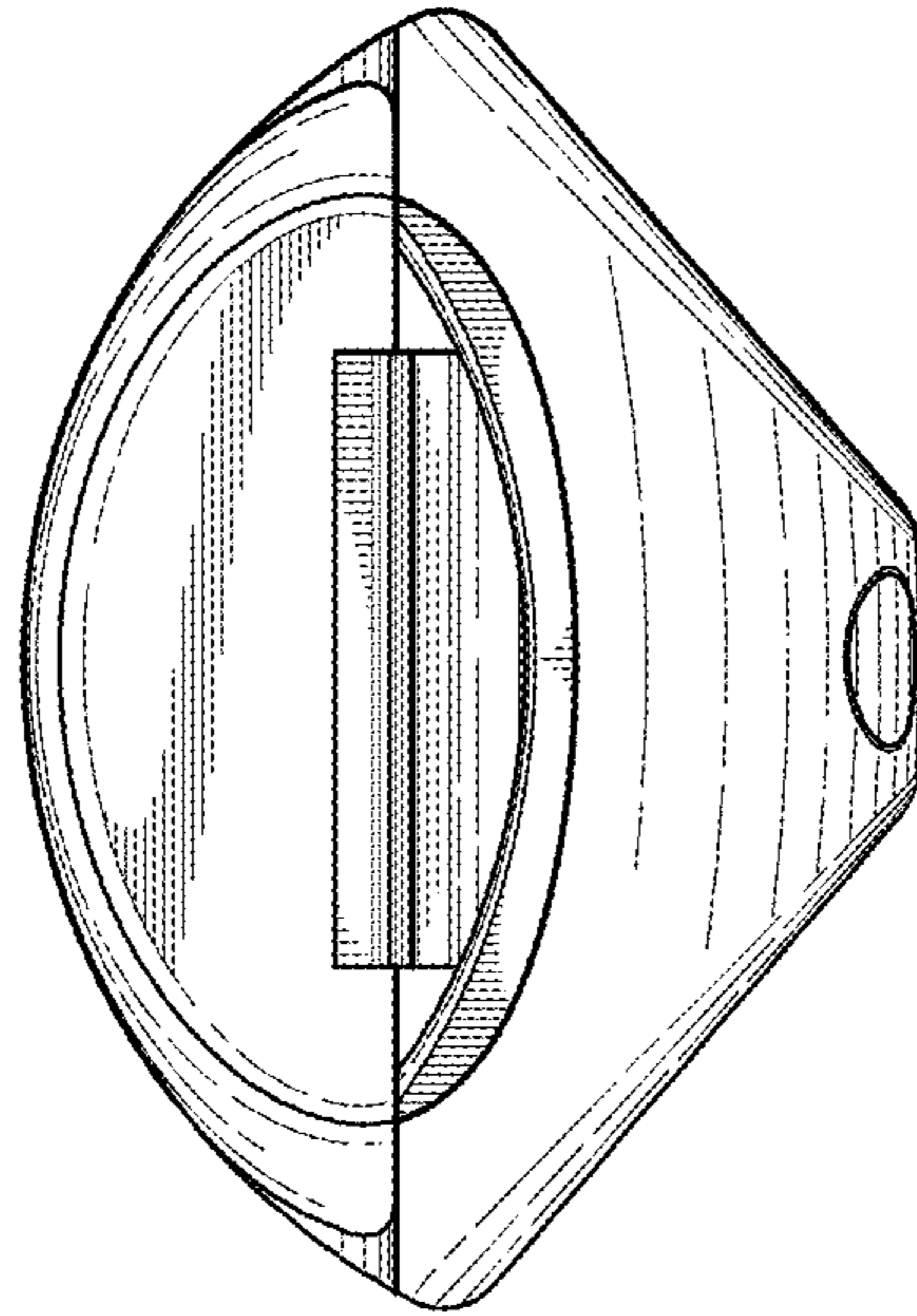


Fig. 6.

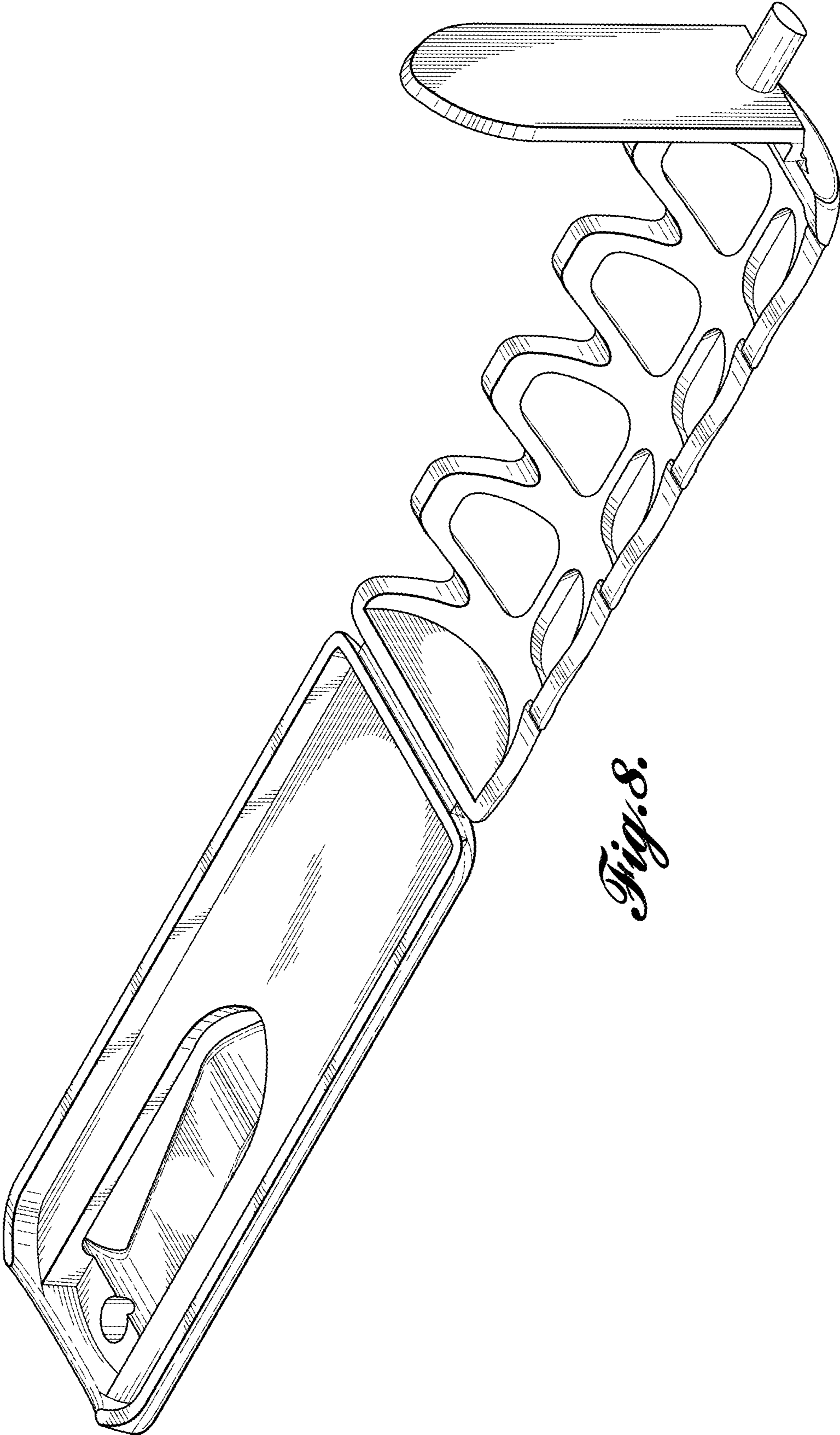


Fig. 8.